



US00D576283S

(12) **United States Design Patent**  
**Marshall et al.**

(10) **Patent No.:** **US D576,283 S**

(45) **Date of Patent:** **\*\* Sep. 2, 2008**

(54) **BREASTFEEDING SIMULATION DEVICE**

(76) Inventors: **Edward Reed Marshall**, 3721 Renald Dr., Castalia, OH (US) 44824; **Rhonda A. Noggle**, 3721 Renald Dr., Castalia, OH (US) 44824

(\*\*) Term: **14 Years**

(21) Appl. No.: **29/282,242**

(22) Filed: **Jul. 16, 2007**

(51) **LOC (8) Cl.** ..... **07-01**

(52) **U.S. Cl.** ..... **D24/198**

(58) **Field of Classification Search** ..... D24/193-199;  
215/2, 11.1-11.6; 604/76-77, 187; 222/566,  
222/570; 224/148.2-148.6, 603, 605, 623;  
248/102-104

See application file for complete search history.

(56) **References Cited**

U.S. PATENT DOCUMENTS

2,061,268	A *	11/1936	Becker	.....	450/39
2,150,835	A *	3/1939	Kazimirow	.....	215/11.6
3,645,262	A *	2/1972	Harrigan	.....	604/77
3,757,784	A *	9/1973	Avery	.....	604/76
D264,993	S *	6/1982	Kestenberg	.....	D24/198
4,776,546	A *	10/1988	Goldson et al.	.....	248/102
4,965,888	A *	10/1990	Jones	.....	2/104
5,086,517	A *	2/1992	Jones	.....	2/104

5,474,193	A *	12/1995	Larsson et al.	.....	215/11.4
D381,752	S *	7/1997	McCoy	.....	D24/196
5,690,679	A *	11/1997	Prentiss	.....	606/236
D404,825	S *	1/1999	Reed	.....	D24/198
6,669,064	B2 *	12/2003	Perricone	.....	224/148.6

\* cited by examiner

*Primary Examiner*—Robert M. Spear

*Assistant Examiner*—Susan E Krakower

(74) *Attorney, Agent, or Firm*—Eric Hanscom; Todd Langford

(57) **CLAIM**

I claim the ornamental design for a breastfeeding simulation device, as shown and described.

**DESCRIPTION**

FIG. 1 is a perspective view of a breastfeeding simulation device showing my new design;

FIG. 2 is a top view thereof;

FIG. 3 is a right-side view thereof;

FIG. 4 is a left-side view thereof;

FIG. 5 is a front view thereof; and,

FIG. 6 is a bottom view thereof.

The broken lines in the drawings represent unclaimed environmental subject matter.

**1 Claim, 6 Drawing Sheets**

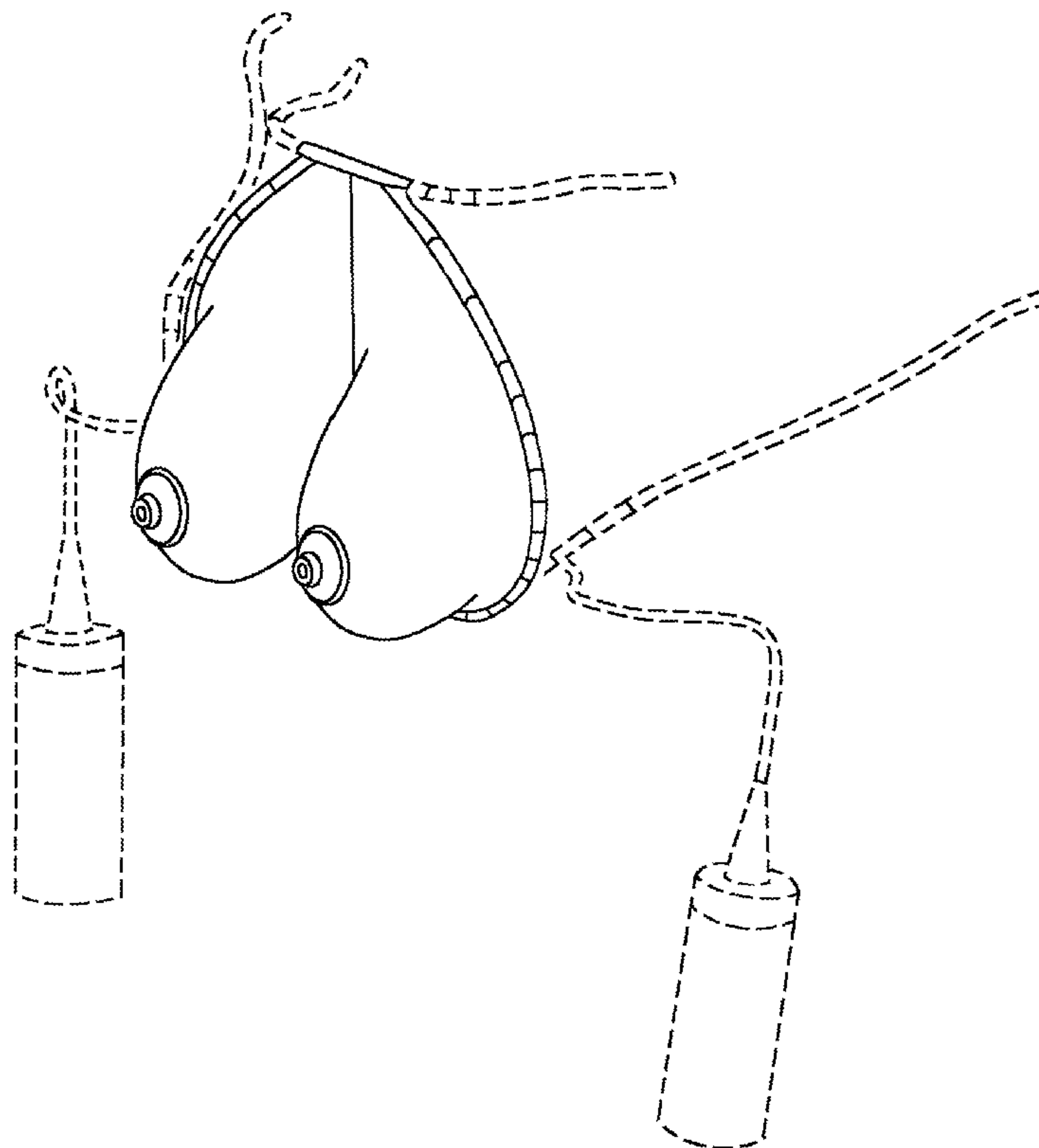


Figure 1

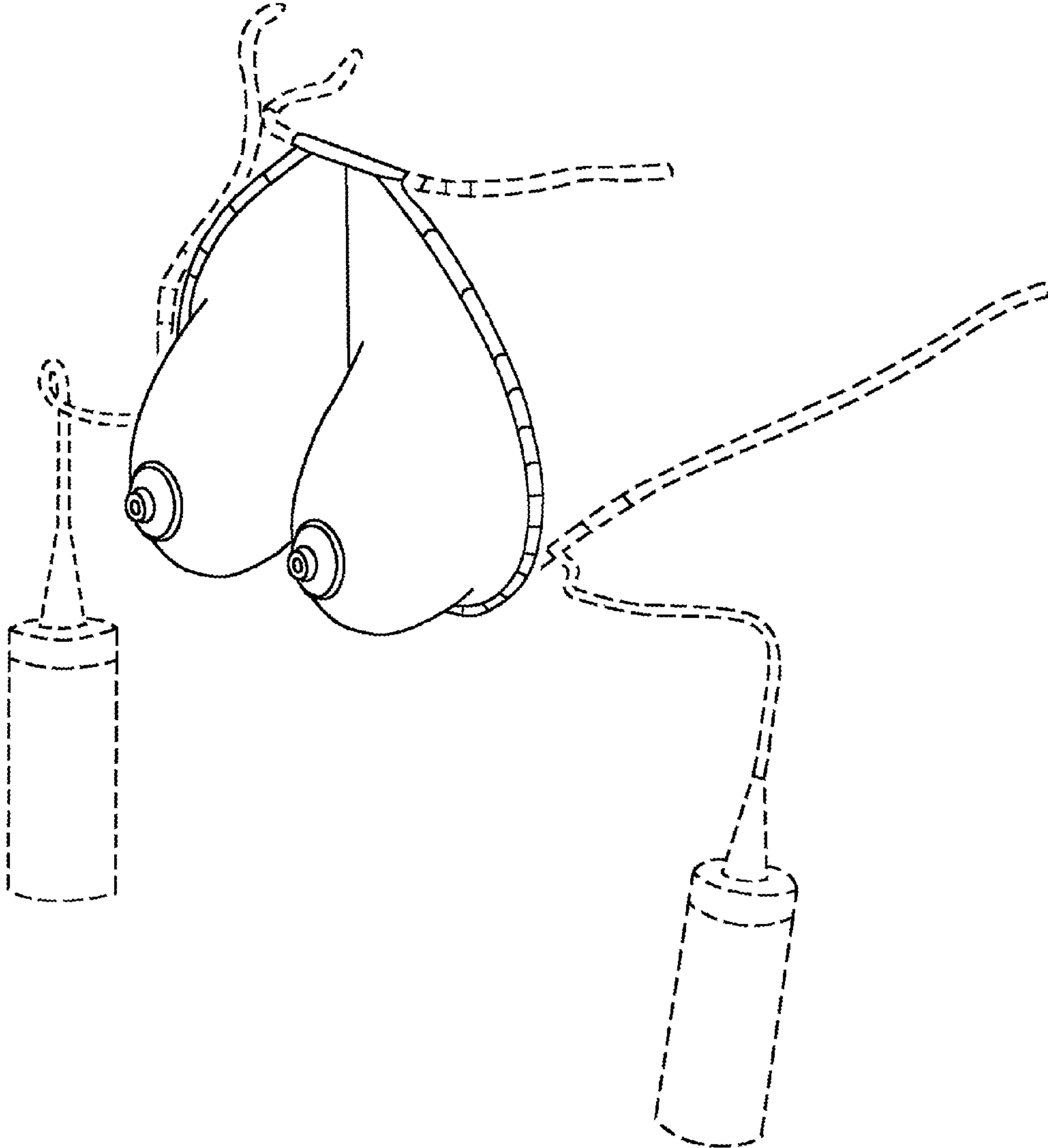


Figure 2

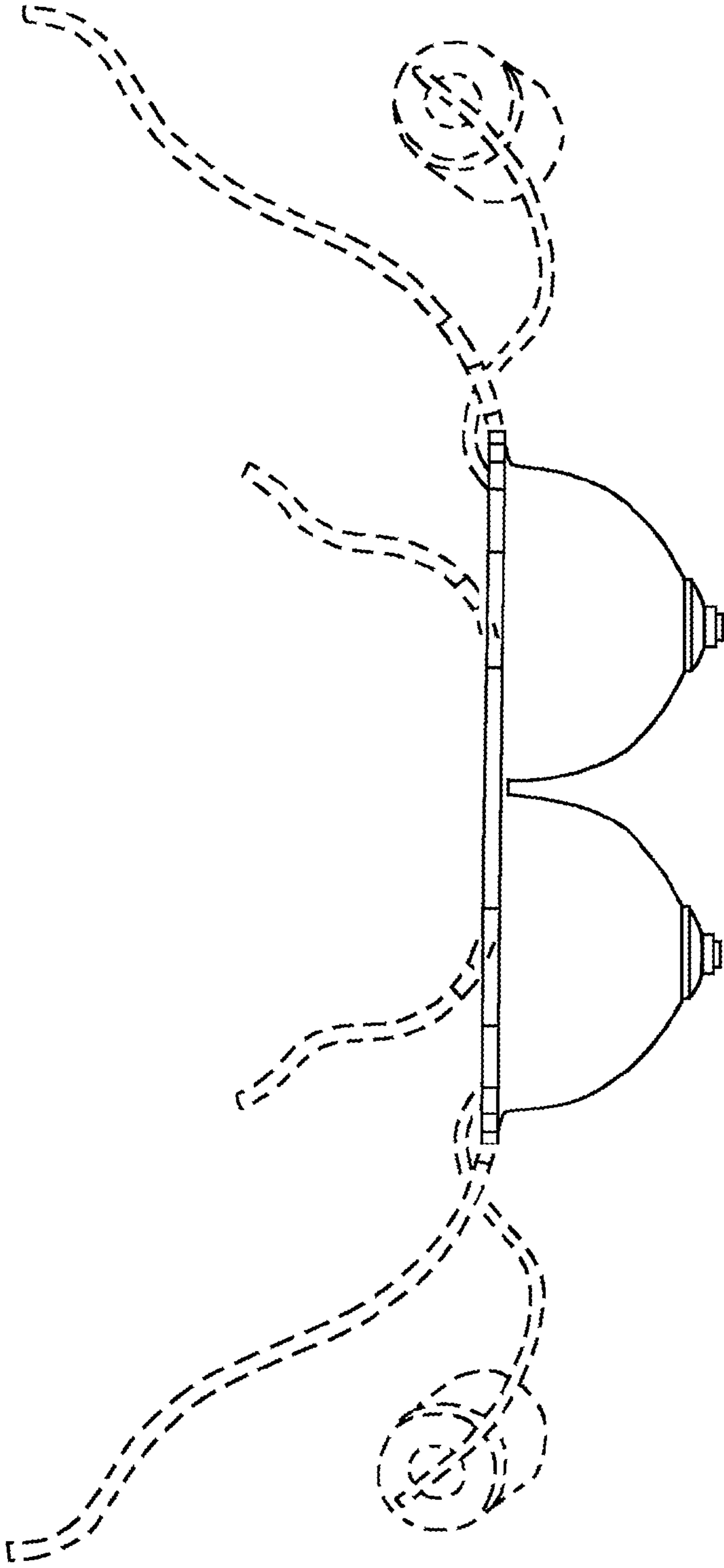


Figure 3

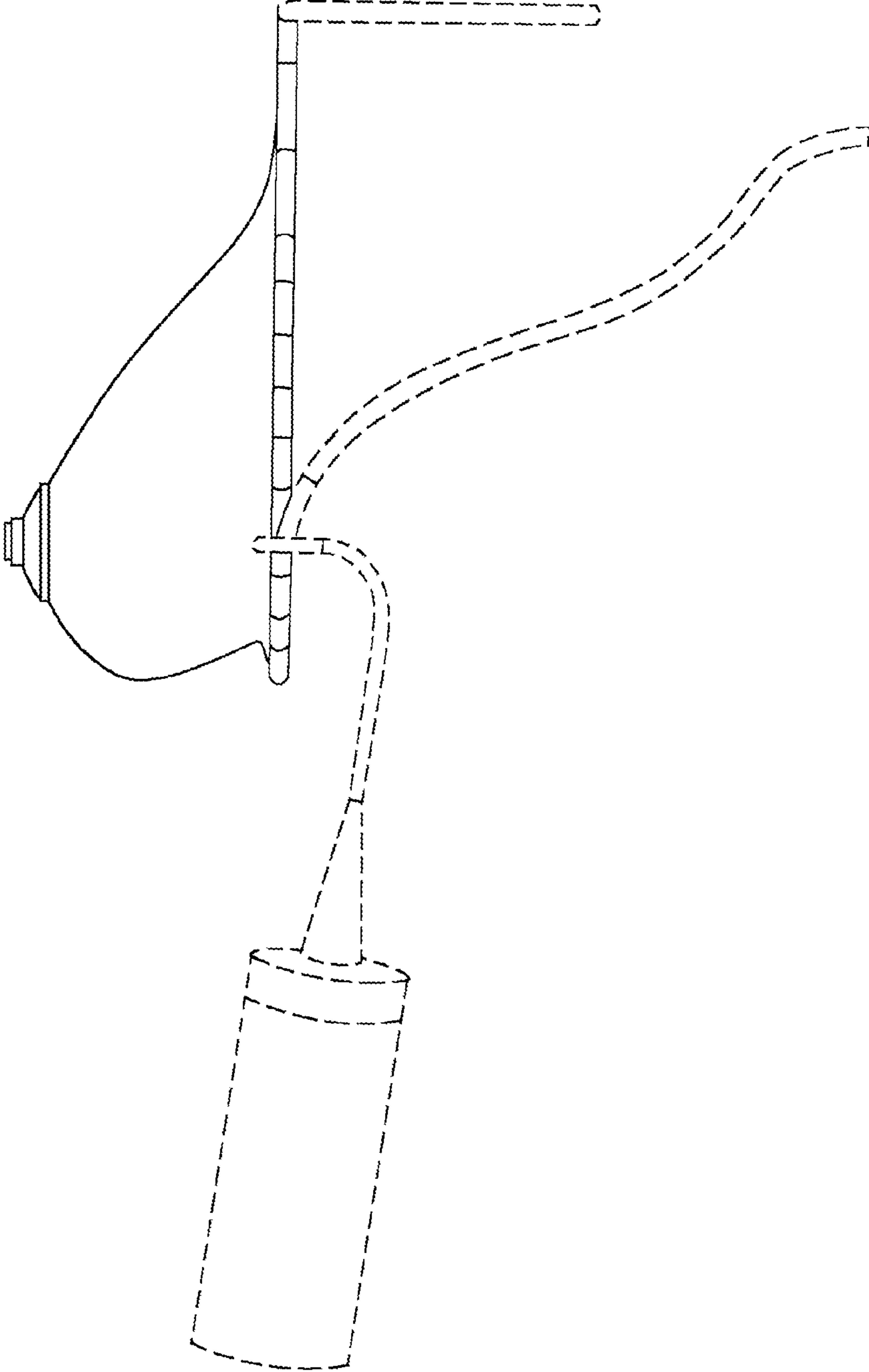


Figure 4

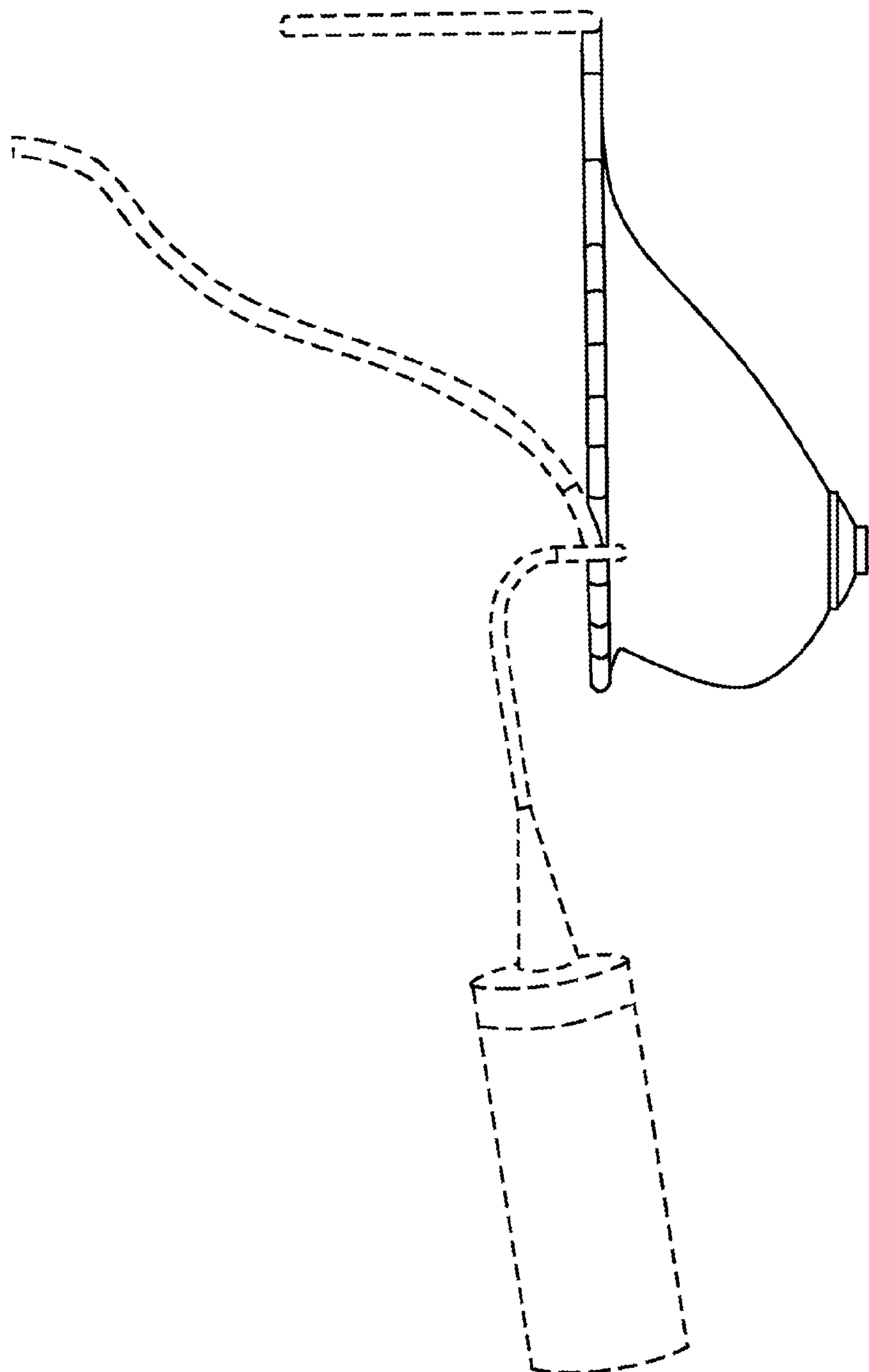


Figure 5

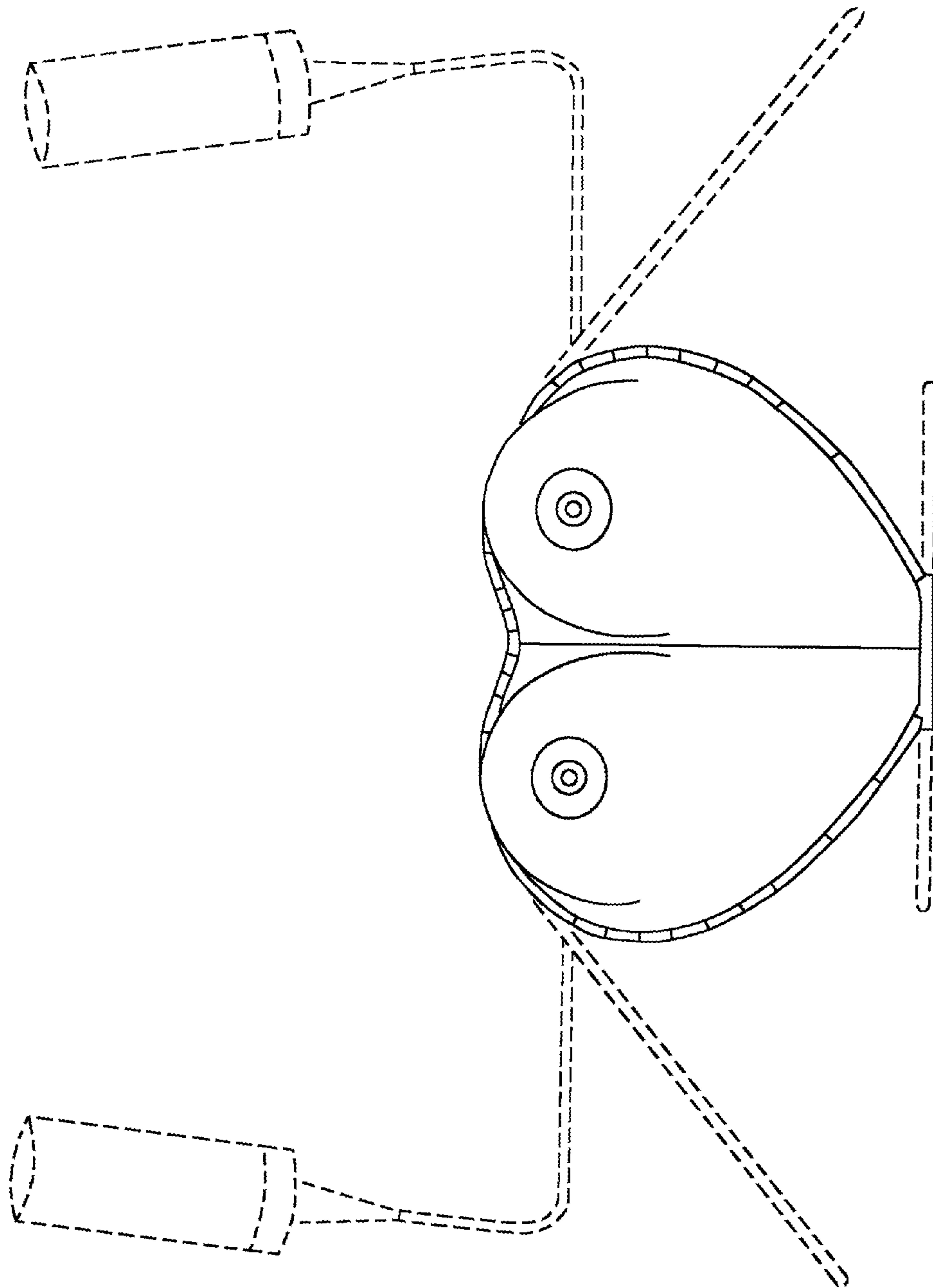


Figure 6

