



US00D576278S

(12) **United States Design Patent**
Nalagatla et al.

(10) **Patent No.:** **US D576,278 S**

(45) **Date of Patent:** **** Sep. 2, 2008**

(54) **SURGICAL STAPLER**

(75) Inventors: **Anil K. Nalagatla**, Mason, OH (US);
Sudhir B. Patel, Mason, OH (US)

(73) Assignee: **Ethicon Endo-Surgery, Inc.**, Cincinnati,
OH (US)

(**) Term: **14 Years**

(21) Appl. No.: **29/282,249**

(22) Filed: **Jul. 16, 2007**

(51) **LOC (8) Cl.** **24-02**

(52) **U.S. Cl.** **D24/145**

(58) **Field of Classification Search** D24/145;
606/60, 72, 75, 219, 213, 220, 215, 222,
606/221; 227/901, 902, 175.1, 176.1, 177.1,
227/180.1, 181.1, 19, 178.1

See application file for complete search history.

(56) **References Cited**

U.S. PATENT DOCUMENTS

- D272,851 S * 2/1984 Green et al. D24/145
- 4,520,817 A * 6/1985 Green 227/176.1
- D285,836 S * 9/1986 Hunt et al. D24/145
- D301,740 S * 6/1989 Green D24/145
- D322,143 S * 12/1991 Spreckelmeier D24/145

- D480,808 S * 10/2003 Wells et al. D24/145
- 2005/0159778 A1 * 7/2005 Heinrich et al. 606/216
- 2005/0184121 A1 * 8/2005 Heinrich 227/175.1
- 2008/0087707 A1 * 4/2008 Jankowski 227/176.1

* cited by examiner

Primary Examiner—Ian Simmons

Assistant Examiner—Carissa C Fitts

(57) **CLAIM**

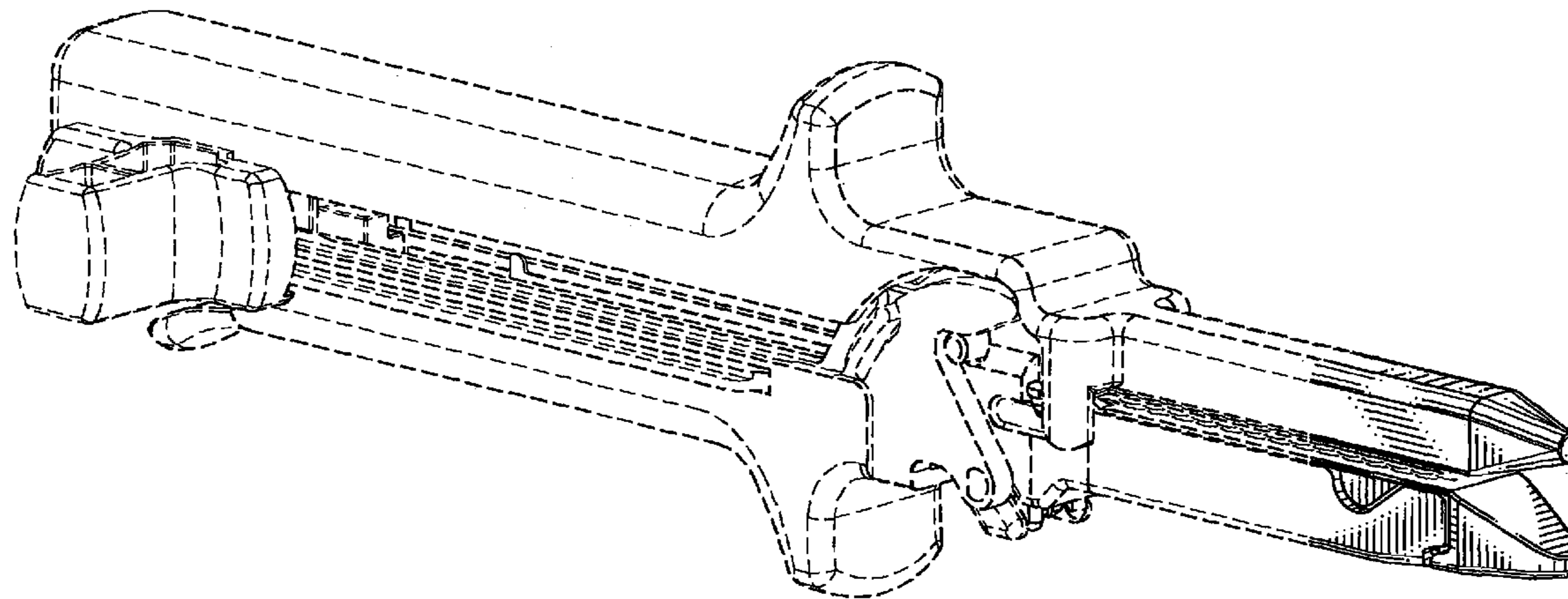
The ornamental design for a surgical stapler, as shown and described.

DESCRIPTION

FIG. 1 depicts a perspective view of a surgical stapler design;
 FIG. 2 depicts another perspective view of the design;
 FIG. 3 depicts a Front View of the design;
 FIG. 4 depicts a Top View of the design;
 FIG. 5 depicts a bottom view of the design;
 FIG. 6 depicts a Left End View of the design; and,
 FIG. 7 depicts a Right End View of the design.

The broken line showing is for illustrative purposes only and forms no part of the claimed design.

1 Claim, 6 Drawing Sheets



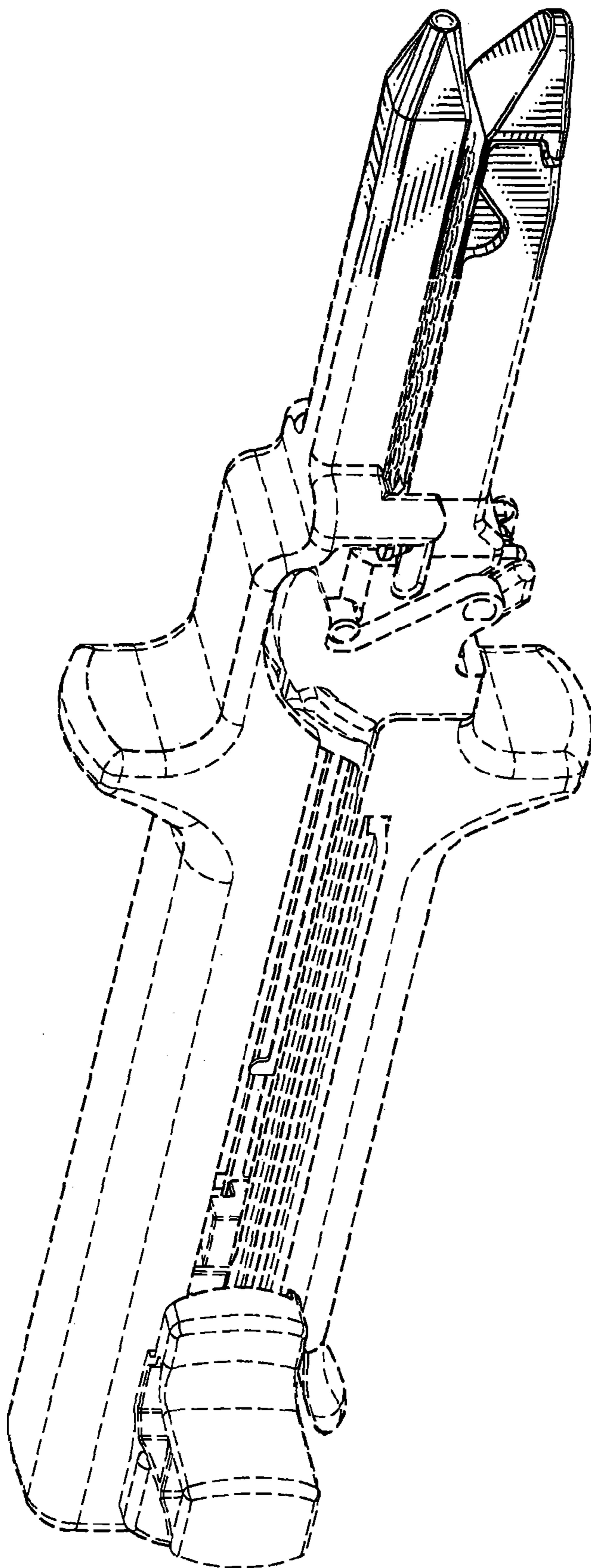


FIG. 1

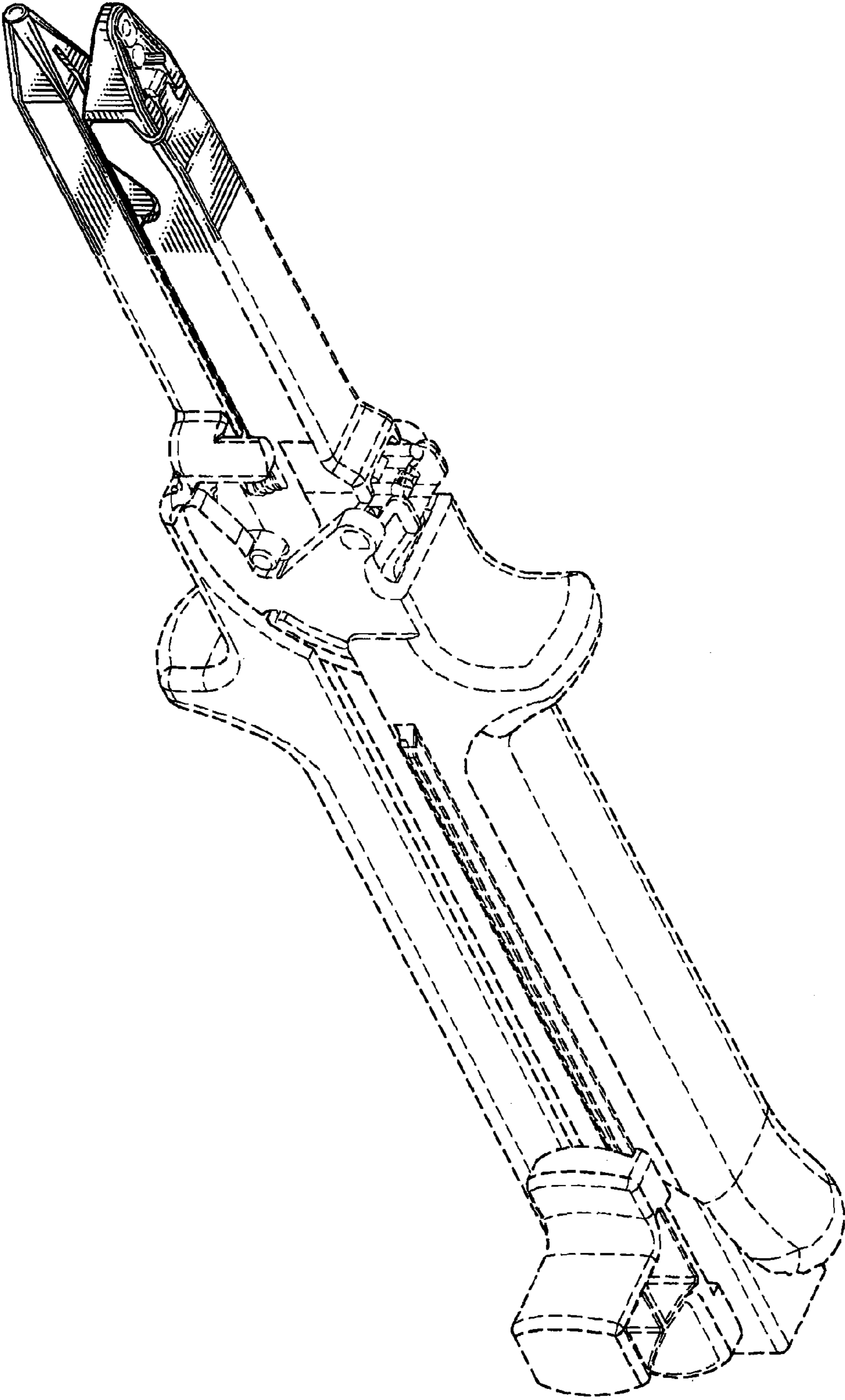


FIG. 2

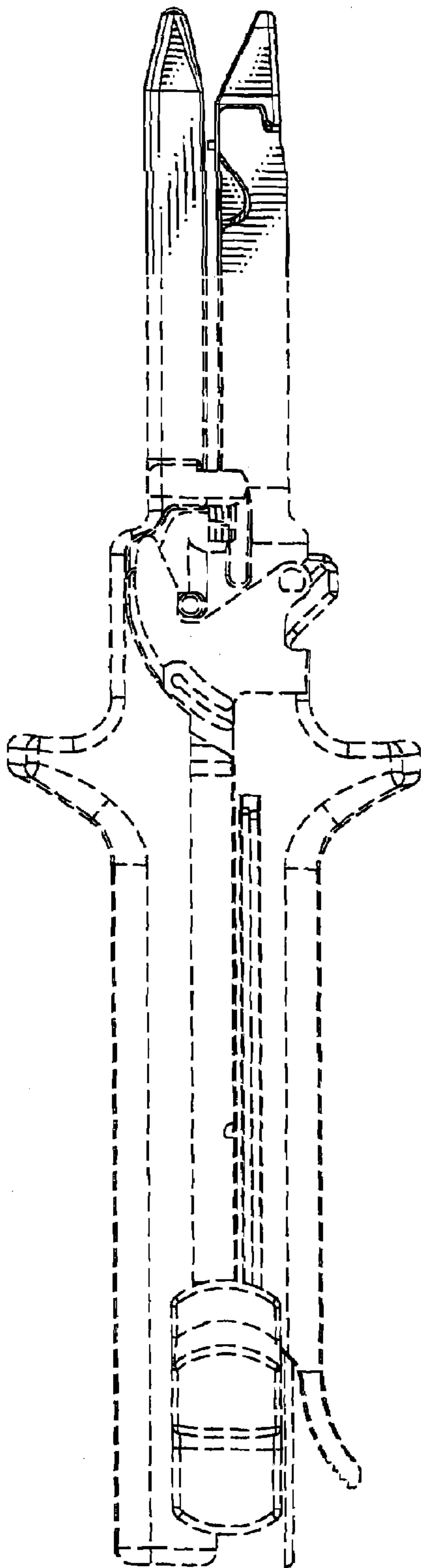


FIG. 3

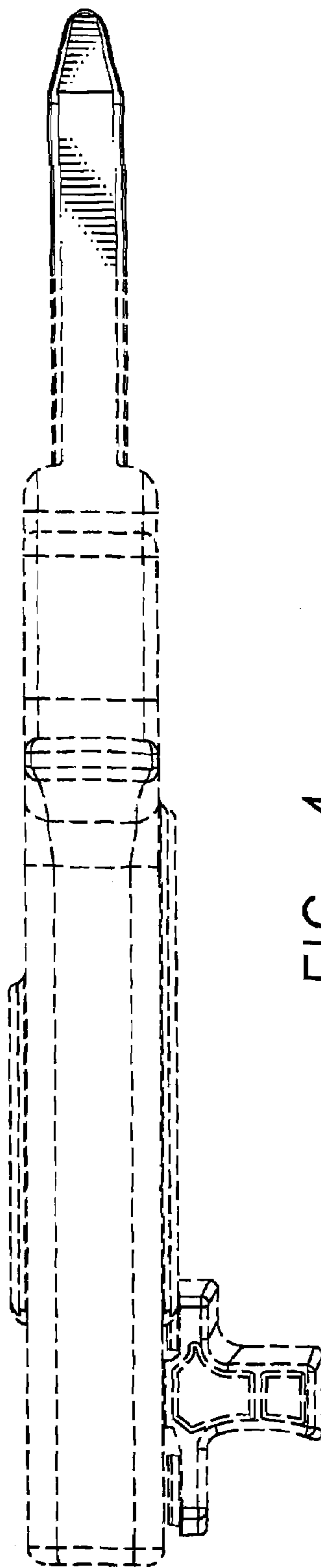


FIG. 4

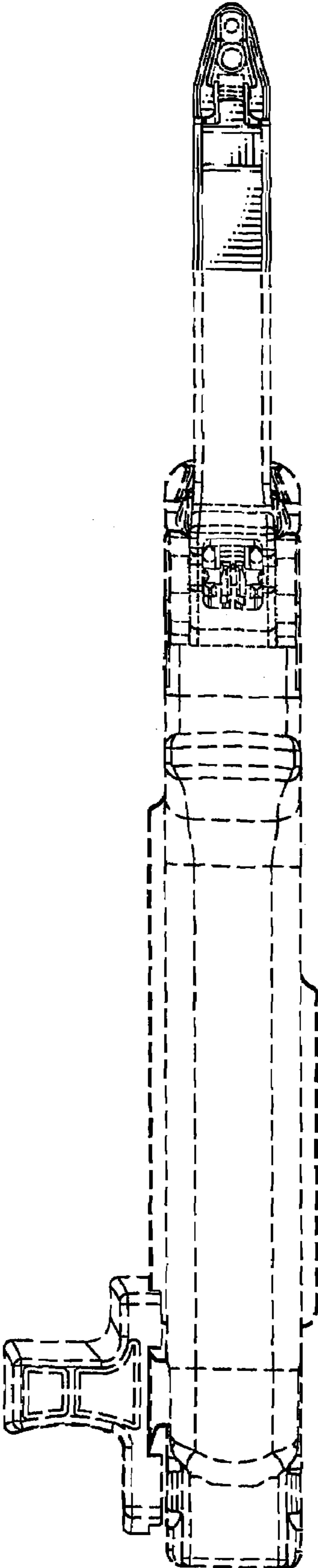


FIG. 5

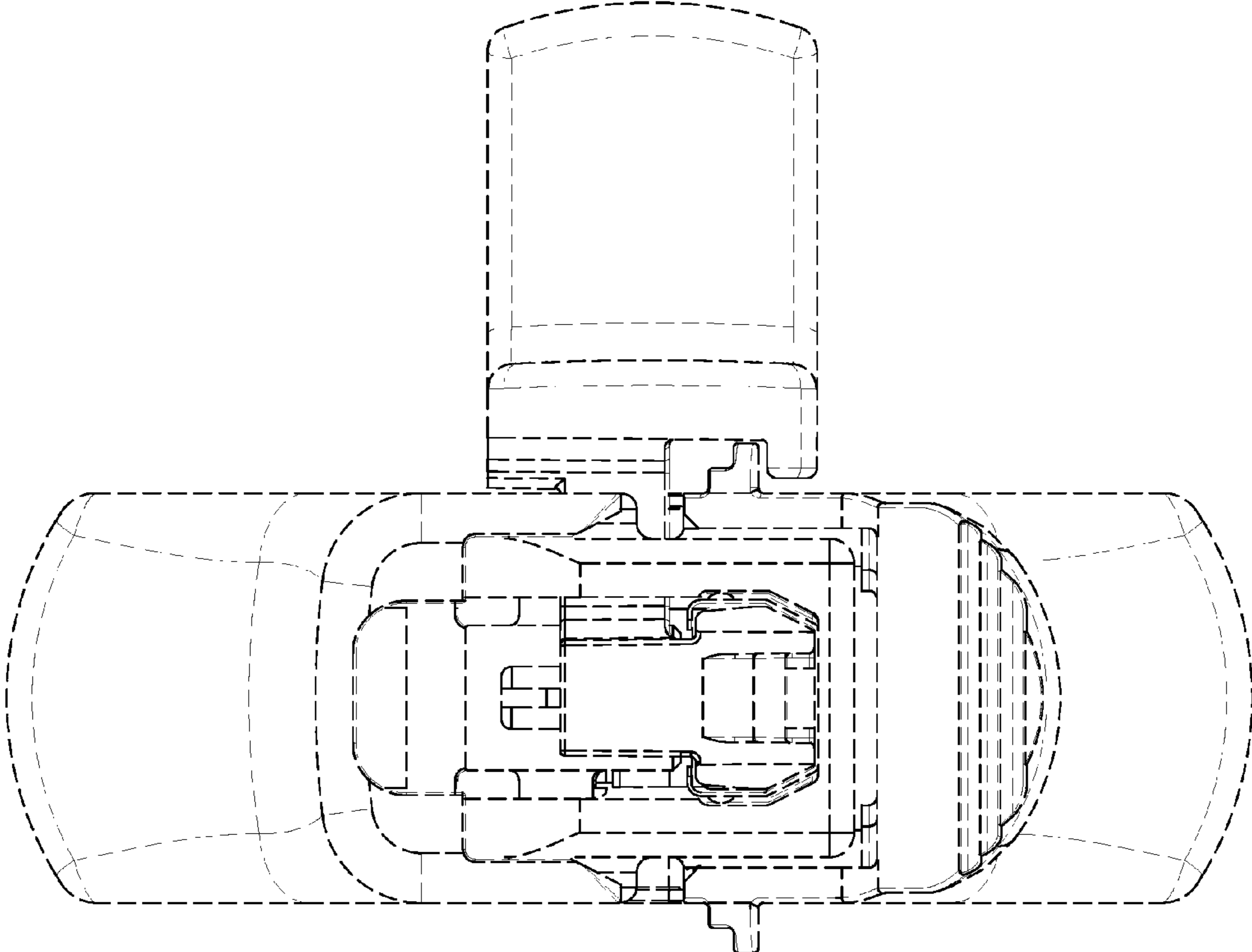


FIG. 6

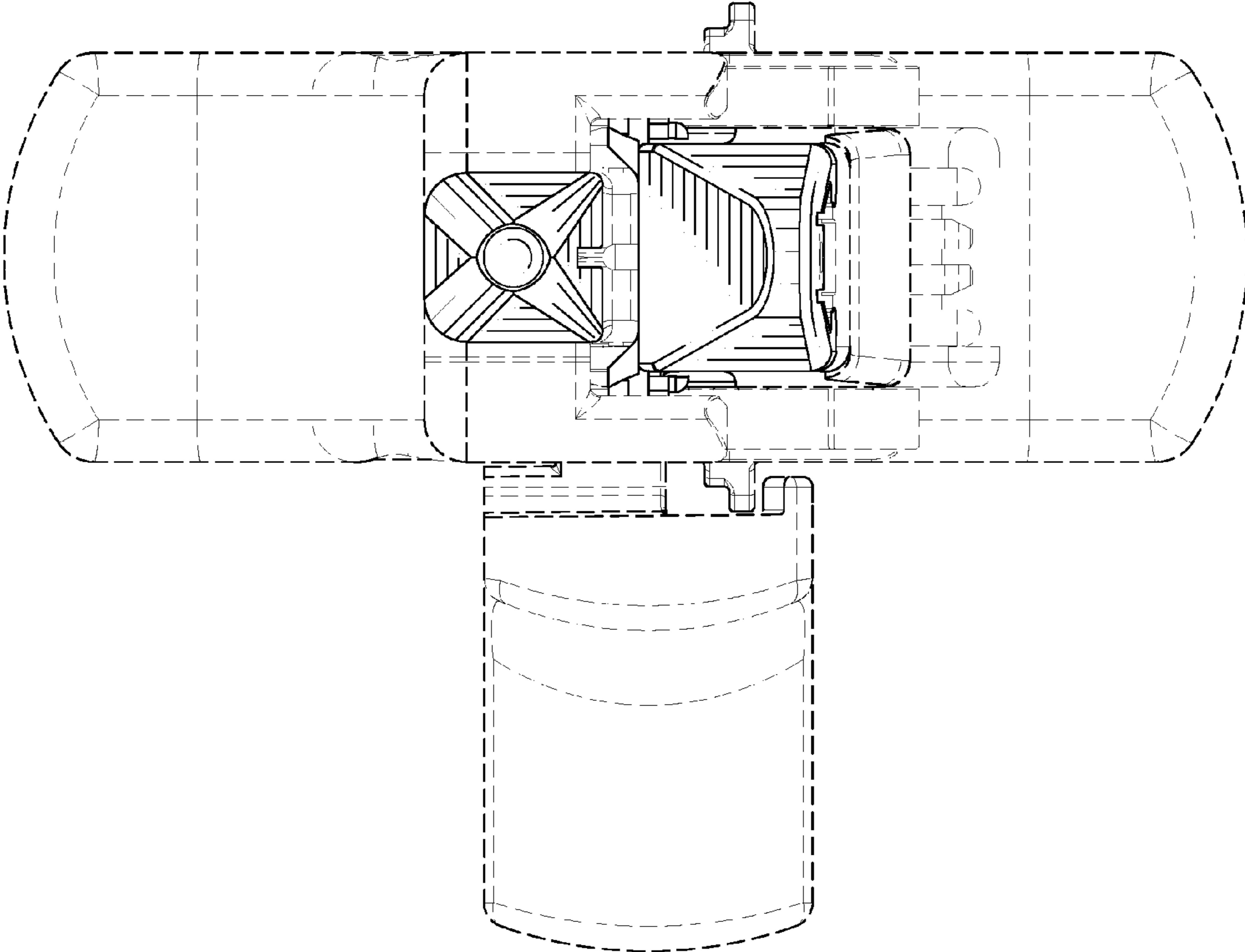


FIG. 7