



US00D576277S

(12) **United States Design Patent**
Oren et al.

(10) **Patent No.:** **US D576,277 S**
(45) **Date of Patent:** **** Sep. 2, 2008**

(54) **FINGER MOUNTING SURGICAL INSTRUMENT WITH SPATULA RETRACTOR**

(75) Inventors: **Ran Oren**, Kibbutz Gaaton (IL); **Eran Zakai**, Moshav Yodfat (IL); **Lee Ranon**, Nahariya (IL)

(73) Assignee: **T.A.G. Medical Products a Limited Partnership**, Kibbutz Gaaton (IL)

(**) Term: **14 Years**

(21) Appl. No.: **29/285,475**

(22) Filed: **Mar. 30, 2007**

(51) **LOC (8) Cl.** **24-02**

(52) **U.S. Cl.** **D24/135; D24/133**

(58) **Field of Classification Search** D24/133, D24/143, 135, 147; 600/201, 197, 204, 109, 600/491; 606/52-53, 205, 1, 167, 180
See application file for complete search history.

(56) **References Cited**

U.S. PATENT DOCUMENTS

2,781,760	A *	2/1957	Baer	606/167
3,293,958	A *	12/1966	Smith	294/25
4,177,698	A *	12/1979	Grecker	81/177.3
D255,715	S *	7/1980	Markham	D24/143
D299,168	S *	12/1988	Bergstrom et al.	D24/143
5,125,923	A *	6/1992	Tanner et al.	606/10

5,511,546	A *	4/1996	Hon	600/490
5,693,041	A *	12/1997	Murphy-Chutorian	606/2
5,925,064	A *	7/1999	Meyers et al.	606/205
6,213,952	B1 *	4/2001	Finarov et al.	600/491
6,944,914	B2 *	9/2005	Tillim	16/430
2003/0220542	A1 *	11/2003	Belson et al.	600/109
2004/0193211	A1 *	9/2004	Voegele et al.	606/205
2004/0199204	A1 *	10/2004	Voegele et al.	606/205

* cited by examiner

Primary Examiner—Ian Simmons
Assistant Examiner—Wan Laymon

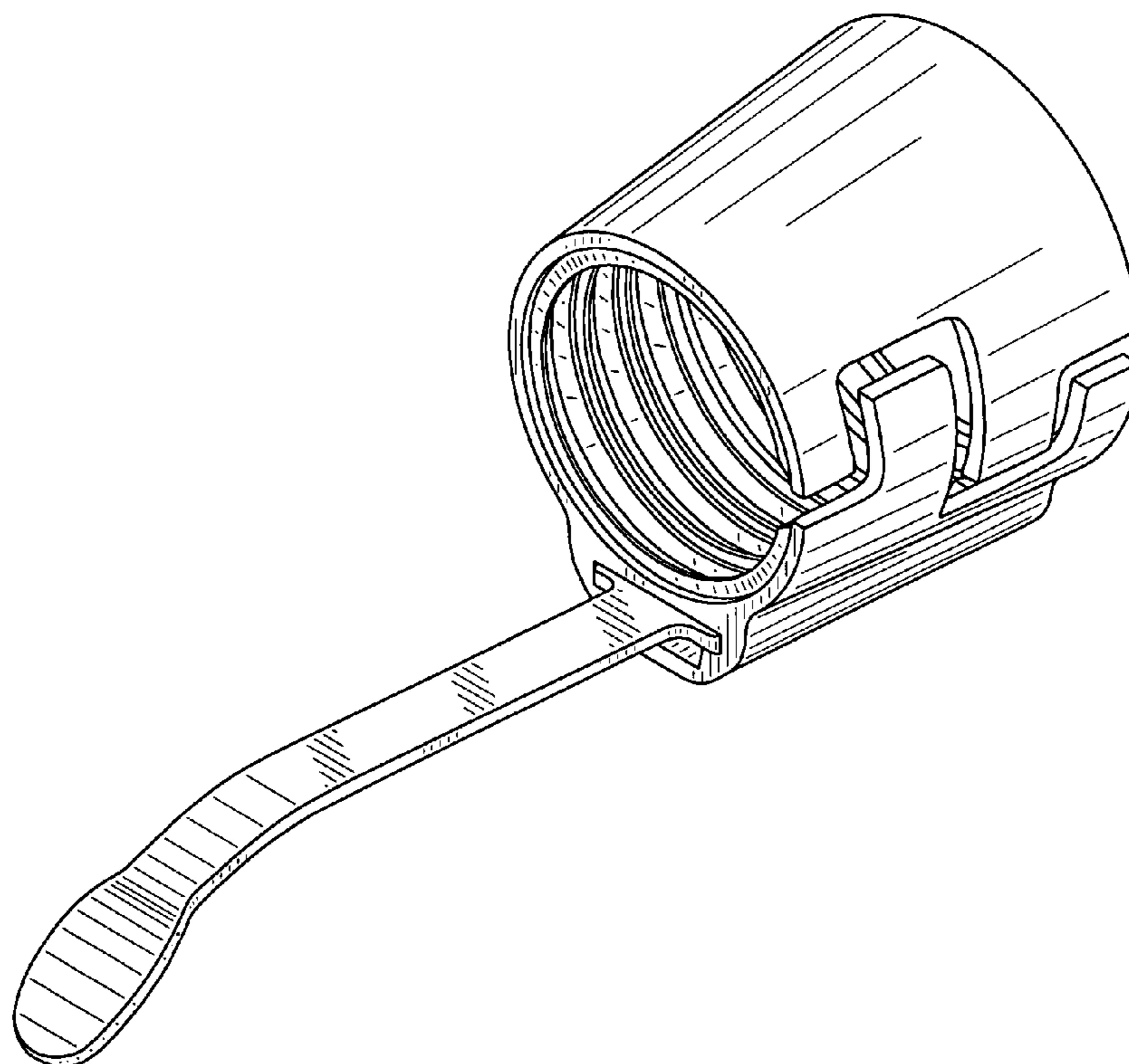
(57) **CLAIM**

The ornamental design for a finger mounting surgical instrument with spatula retractor, as shown and described.

DESCRIPTION

FIG. 1 is a perspective view of a finger mounting surgical instrument with spatula retractor showing our new design; FIG. 2 is a right side view thereof; FIG. 3 is a left side view thereof; FIG. 4 is a top plan view thereof; FIG. 5 is a bottom plan view thereof; FIG. 6 is a front view thereof; and, FIG. 7 is a rear view thereof.

1 Claim, 6 Drawing Sheets



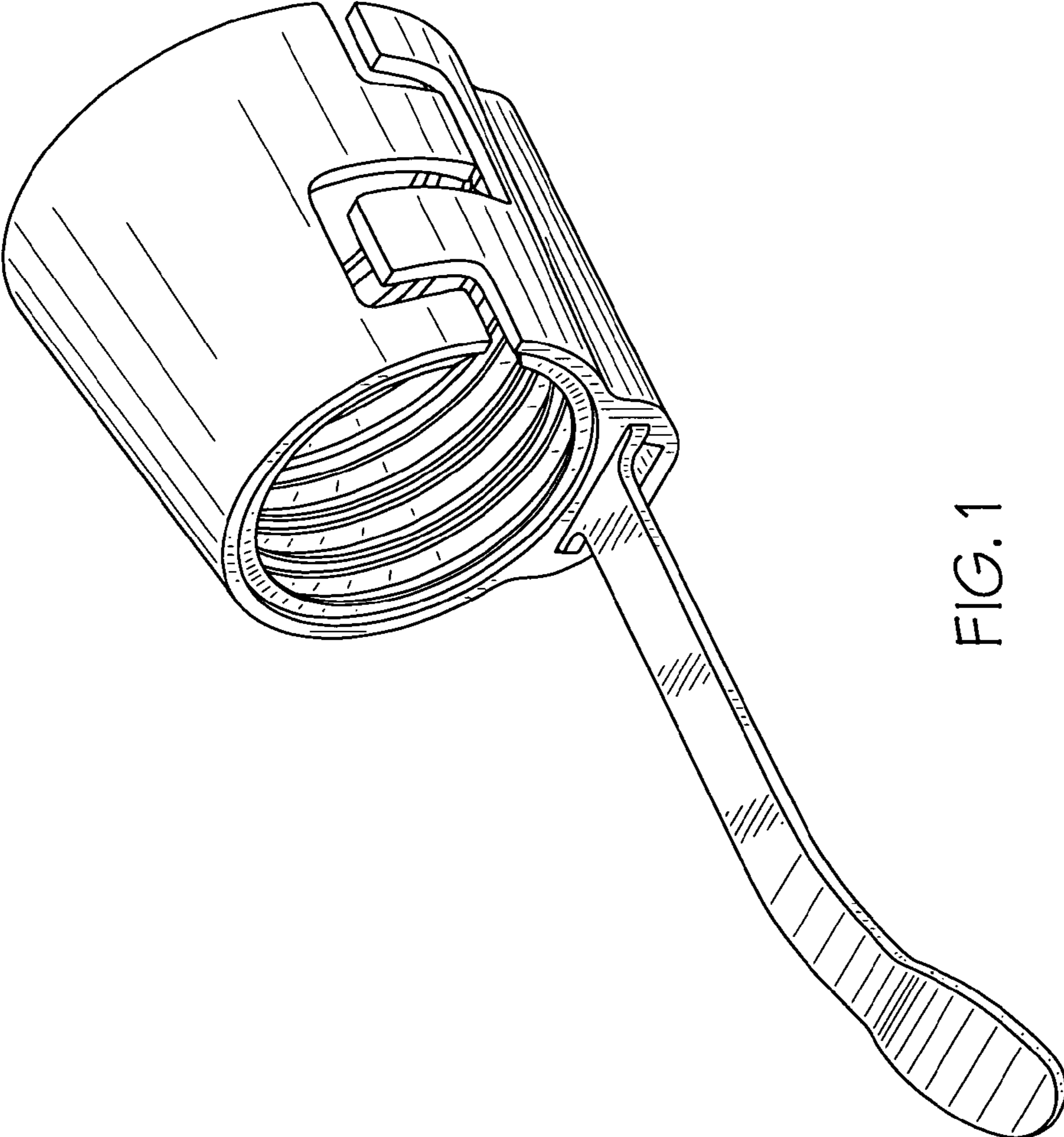


FIG. 1

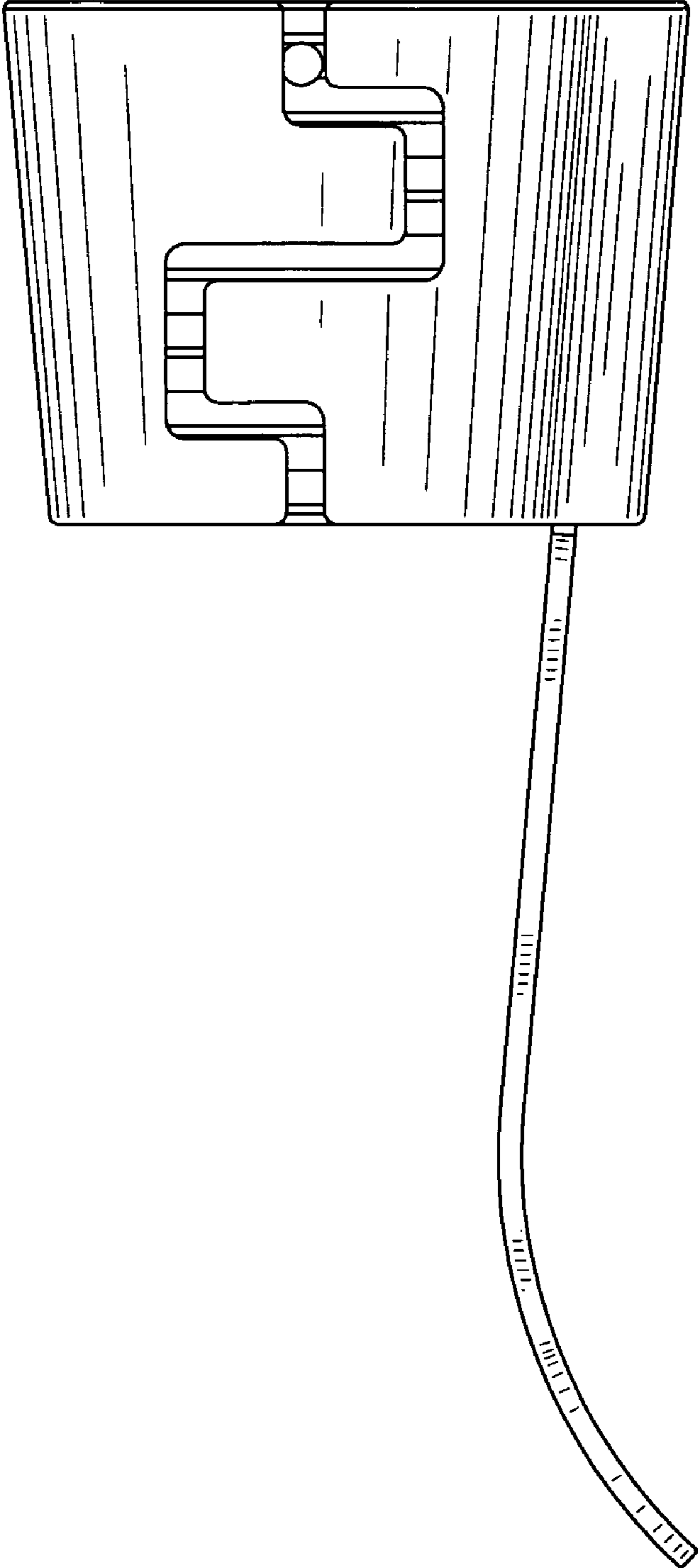


FIG. 2

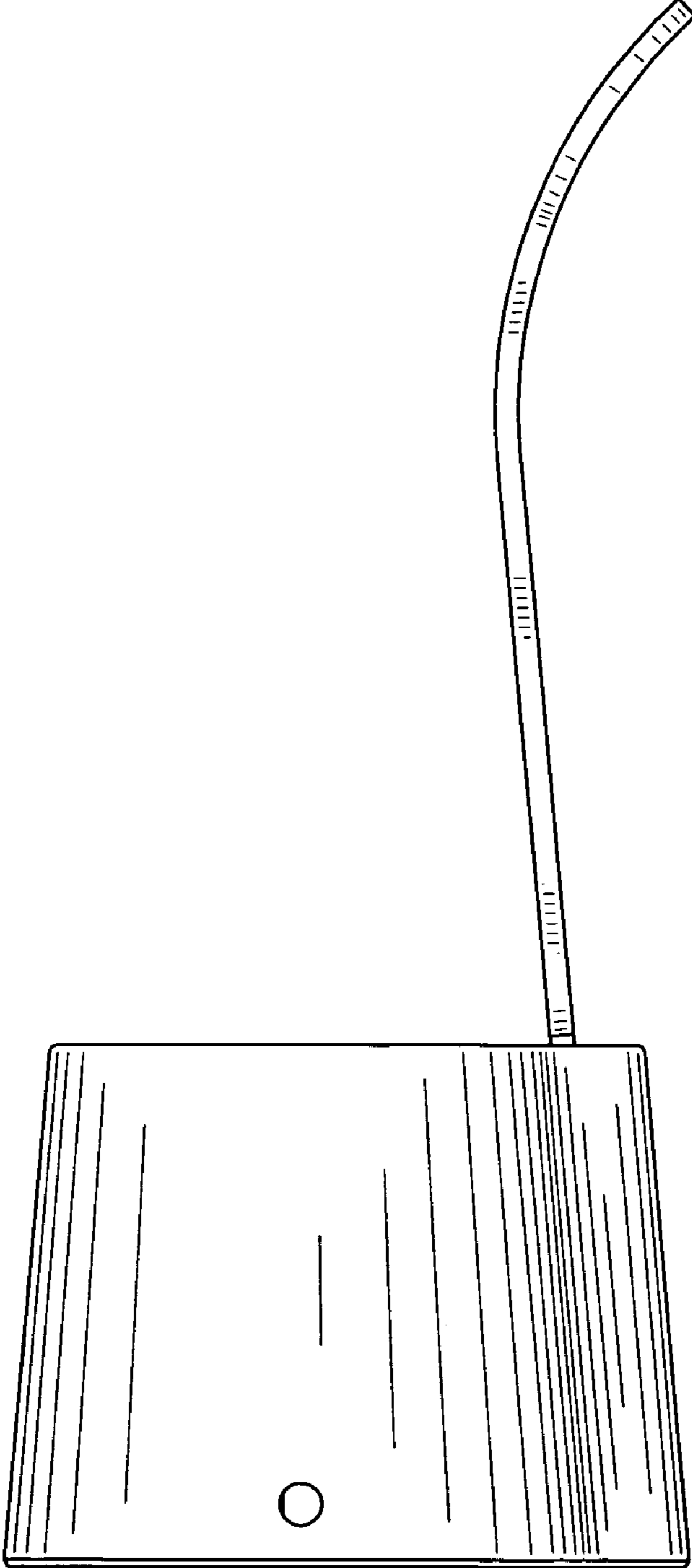


FIG. 3

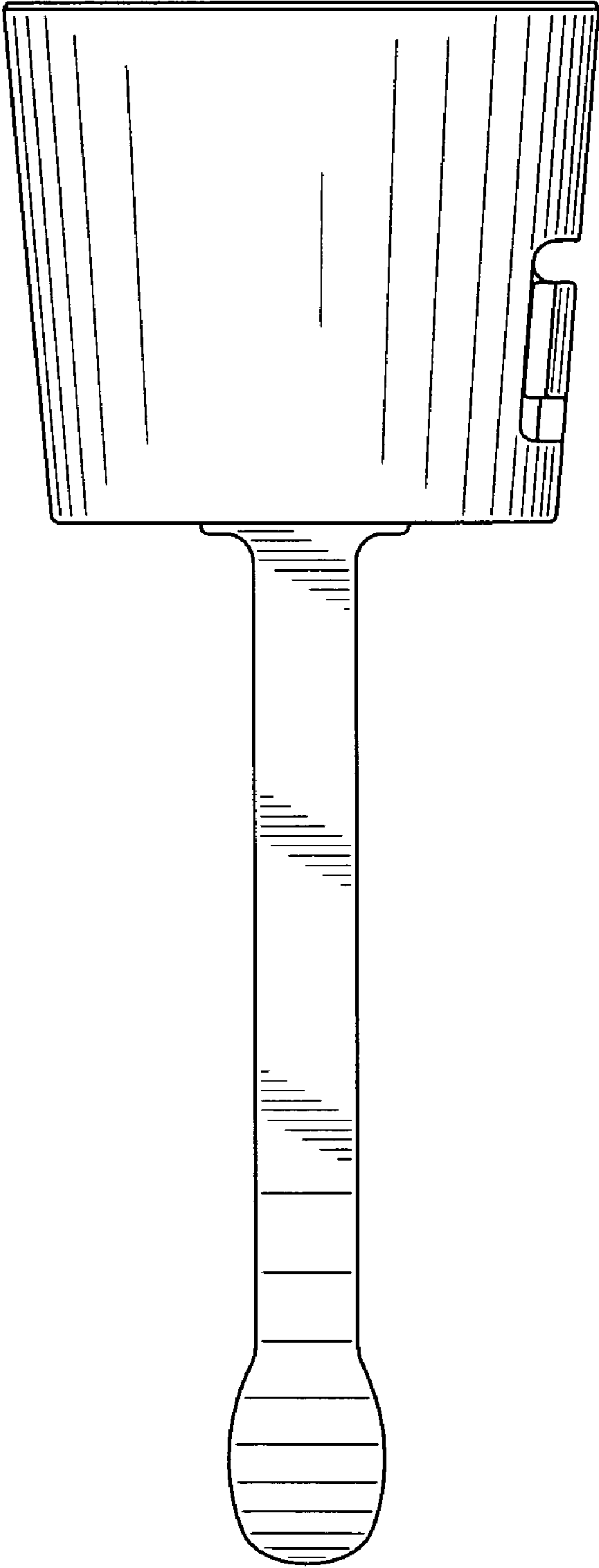


FIG. 4

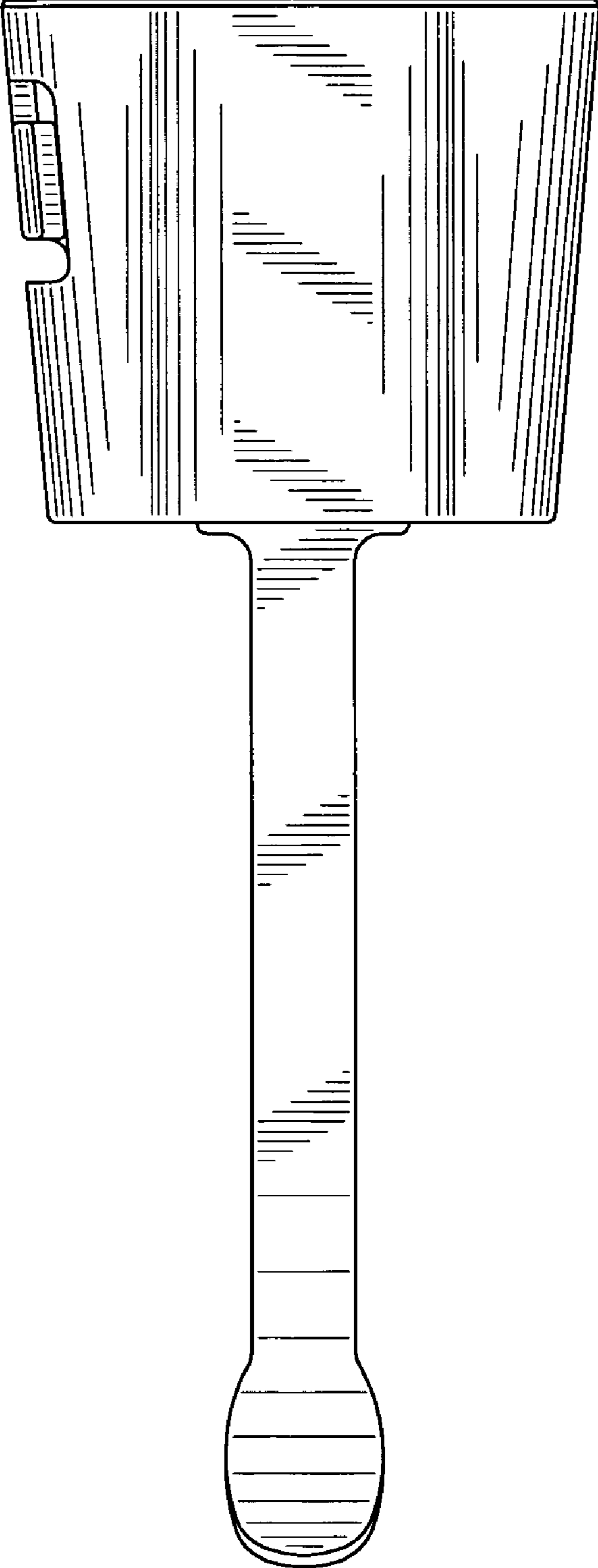


FIG. 5

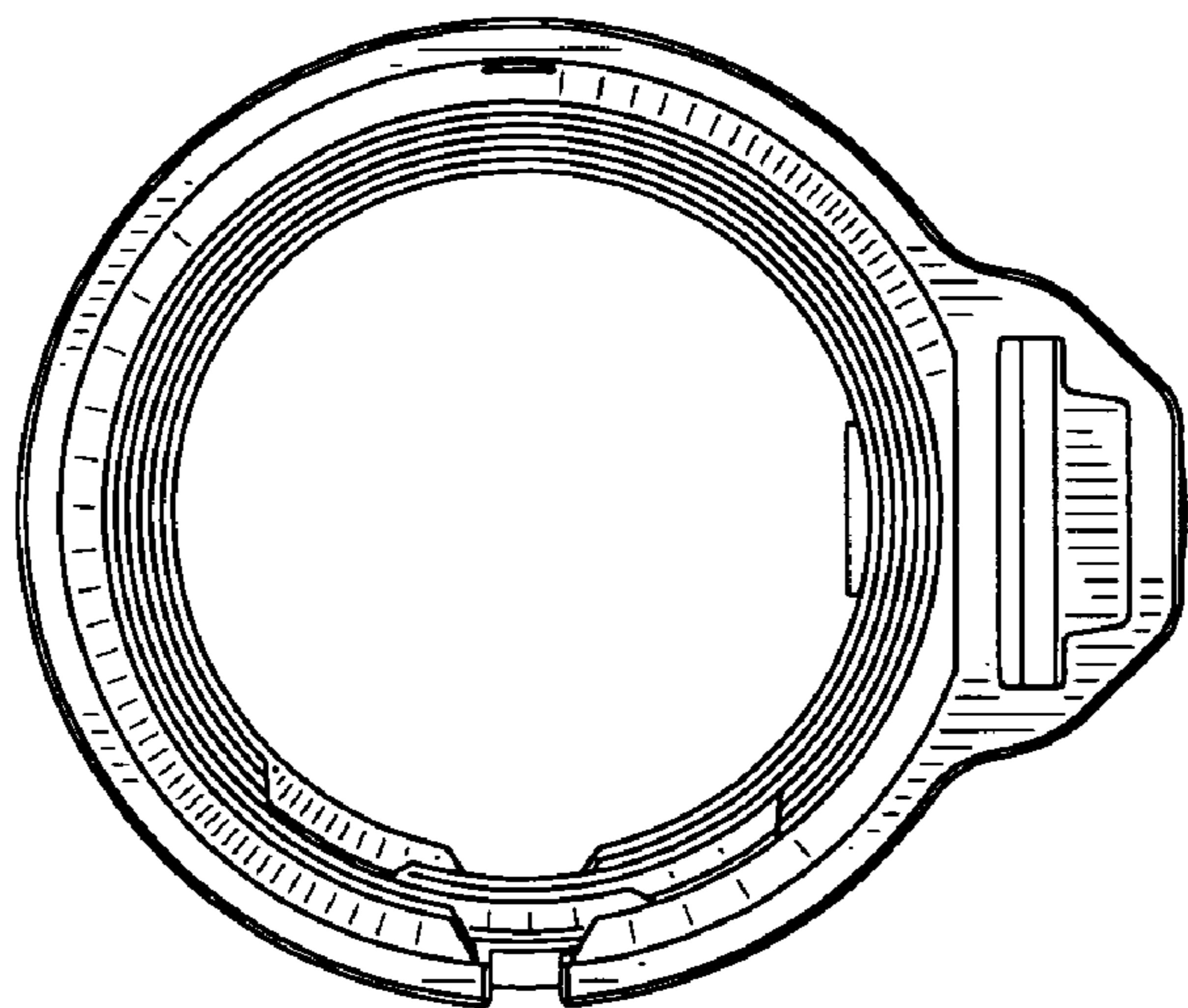


FIG. 7

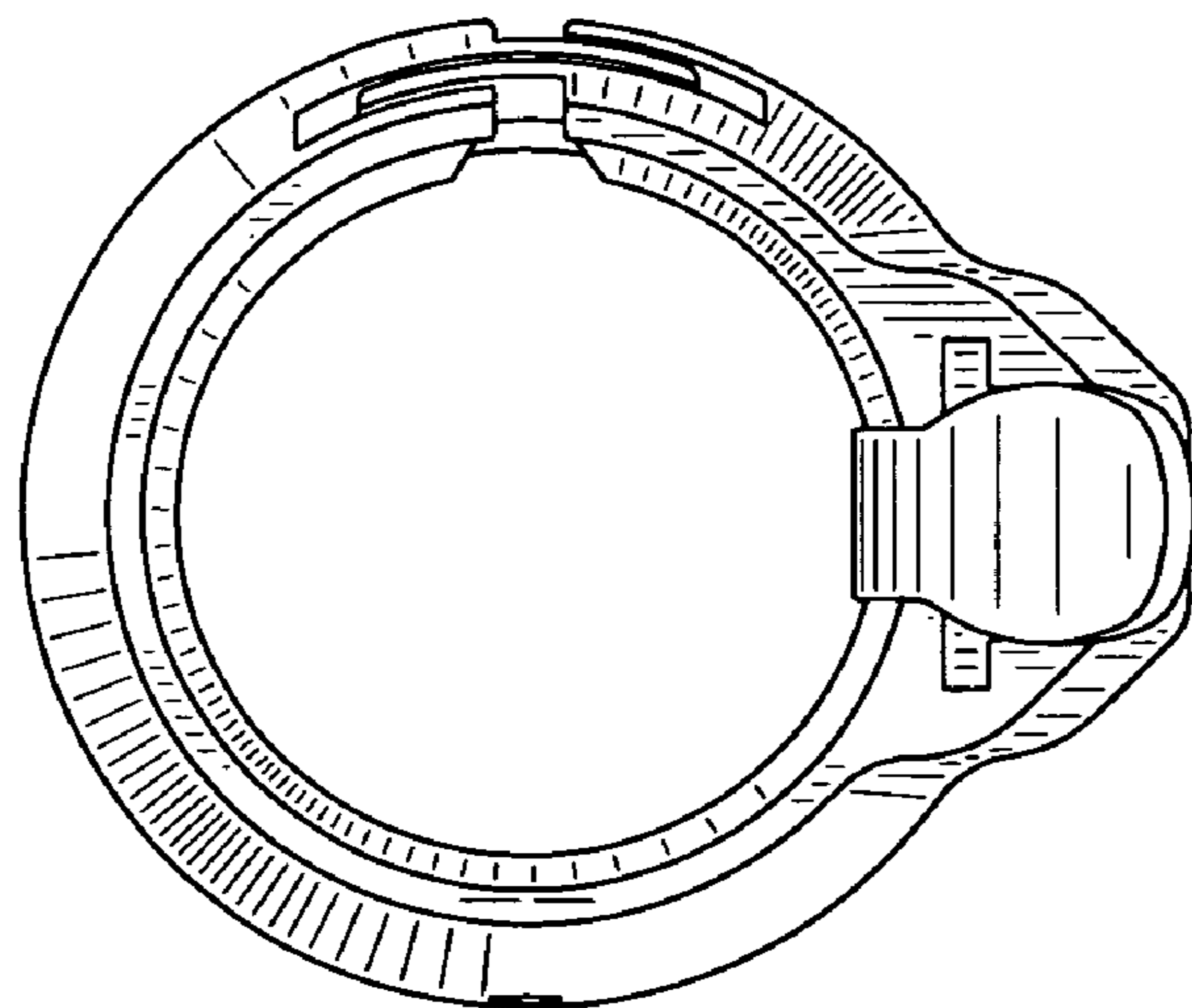


FIG. 6