



US00D576271S

(12) **United States Design Patent**
Gunaratnam et al.

(10) **Patent No.:** **US D576,271 S**
(45) **Date of Patent:** **** Sep. 2, 2008**

(54) **MASK FRAME AND FOREHEAD SUPPORT FOR USE WITH MASK ASSEMBLY IN THE APPLICATION OF CONTINUOUS POSITIVE AIRWAY PRESSURE (CPAP)**

5,474,063 A 12/1995 Riendeau
5,542,128 A 8/1996 Lomas
5,662,101 A 9/1997 Ogden et al.
5,687,715 A 11/1997 Landis et al.
5,724,965 A 3/1998 Handke et al.

(75) Inventors: **Michael Kassipillai Gunaratnam**,
Marsfield (AU); **Jonathan Lee Liston**,
Coogee (AU)

(Continued)

(73) Assignee: **ResMed Limited**, Bella Vista (AU)

FOREIGN PATENT DOCUMENTS

DE 297 00 093 3/1997
FR 02766723 2/1999
GB 649689 1/1951

(**) Term: **14 Years**

OTHER PUBLICATIONS

(21) Appl. No.: **29/191,959**

Brochure for "Ultra Mirage Mask—Mask Fitting Guide," Ref. No. 101412/2 00 04, 2000, 1 page.

(22) Filed: **Oct. 17, 2003**

Brochure for "Ultra Mirage Mask—Ultra Convenient, Ultra Comfortable, Ultra Quiet," Ref. No. 101375/1 00 02, 2000, 4 pages.

Related U.S. Application Data

(63) Continuation-in-part of application No. 10/162,234, filed on Jun. 5, 2002, which is a continuation of application No. 09/504,234, filed on Feb. 15, 2000, now Pat. No. 6,439,230, which is a continuation-in-part of application No. 29/115,618, filed on Dec. 16, 1999, now Pat. No. Des. 443,355.

Primary Examiner—Ian Simmons

Assistant Examiner—Carissa C Fitts

(74) *Attorney, Agent, or Firm*—Nixon & Vanderhye P.C.

(51) **LOC (8) Cl.** **29-02**

(52) **U.S. Cl.** **D24/110.1**

(58) **Field of Classification Search** D24/110.1,
D24/110.4, 110.5; 128/205.25, 206.12, 206.21,
128/206.28, 207.13, 207.11, 207.17

See application file for complete search history.

(57) **CLAIM**

The ornamental design for a mask frame and forehead support for use with a mask assembly in the application of continuous positive airway pressure (CPAP), as shown and described.

DESCRIPTION

FIG. 1 is a front perspective view of a mask frame and forehead support for use with a mask assembly in the application of CPAP processes according to an embodiment of our design;

FIG. 2 is a front view thereof; and,

FIG. 3 is a rear view thereof.

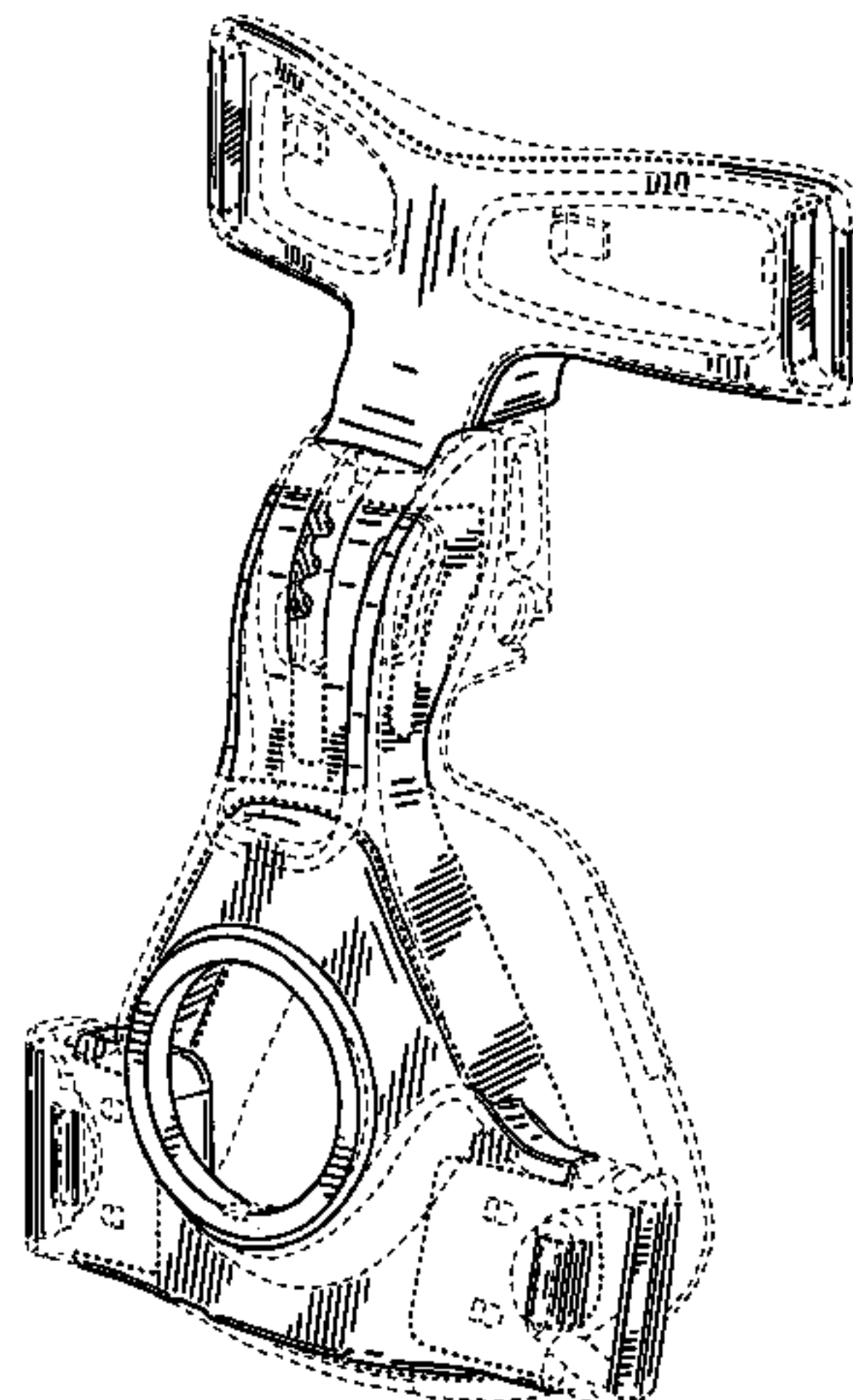
The broken lines shown in FIGS. 1–3 disclose unclaimed subject matter, are for environmental purposes only, and thus form no part of the claimed design. The dotted lines shown in the Figures represent the borders between claimed subject matter and unclaimed subject matter and form no part of the claimed design.

(56) **References Cited**

U.S. PATENT DOCUMENTS

718,785 A 1/1903 McNary
4,231,363 A 11/1980 Grimes
4,807,617 A 2/1989 Nesti
4,944,310 A 7/1990 Sullivan
5,042,478 A 8/1991 Kopala et al.
5,233,978 A 8/1993 Callaway et al.
5,243,971 A 9/1993 Sullivan et al.
5,311,862 A 5/1994 Blasdel et al.
5,375,593 A 12/1994 Press
5,429,683 A 7/1995 Le Mitouard

1 Claim, 3 Drawing Sheets



US D576,271 S

Page 2

U.S. PATENT DOCUMENTS

5,918,598 A	7/1999	Belfer et al.	6,439,230 B1	8/2002	Gunaratnam et al.
5,975,077 A	11/1999	Hofstetter et al.	6,478,026 B1	11/2002	Wood
D419,670 S	1/2000	Pollard	D468,421 S *	1/2003	Smart D24/110.1
6,044,844 A	4/2000	Kwok et al.	6,532,961 B1 *	3/2003	Kwok et al. 128/206.21
6,196,223 B1	3/2001	Belfer et al.	D486,907 S *	2/2004	Guney et al. D24/110.1
D443,355 S *	6/2001	Gunaratnam et al. D24/110.4	D492,992 S *	7/2004	Guney et al. D24/110.1
6,354,293 B1	3/2002	Madison	2002/0108613 A1 *	8/2002	Gunaratnam et al. ... 128/205.25
6,374,826 B1 *	4/2002	Gunaratnam et al. ... 128/206.21			

* cited by examiner

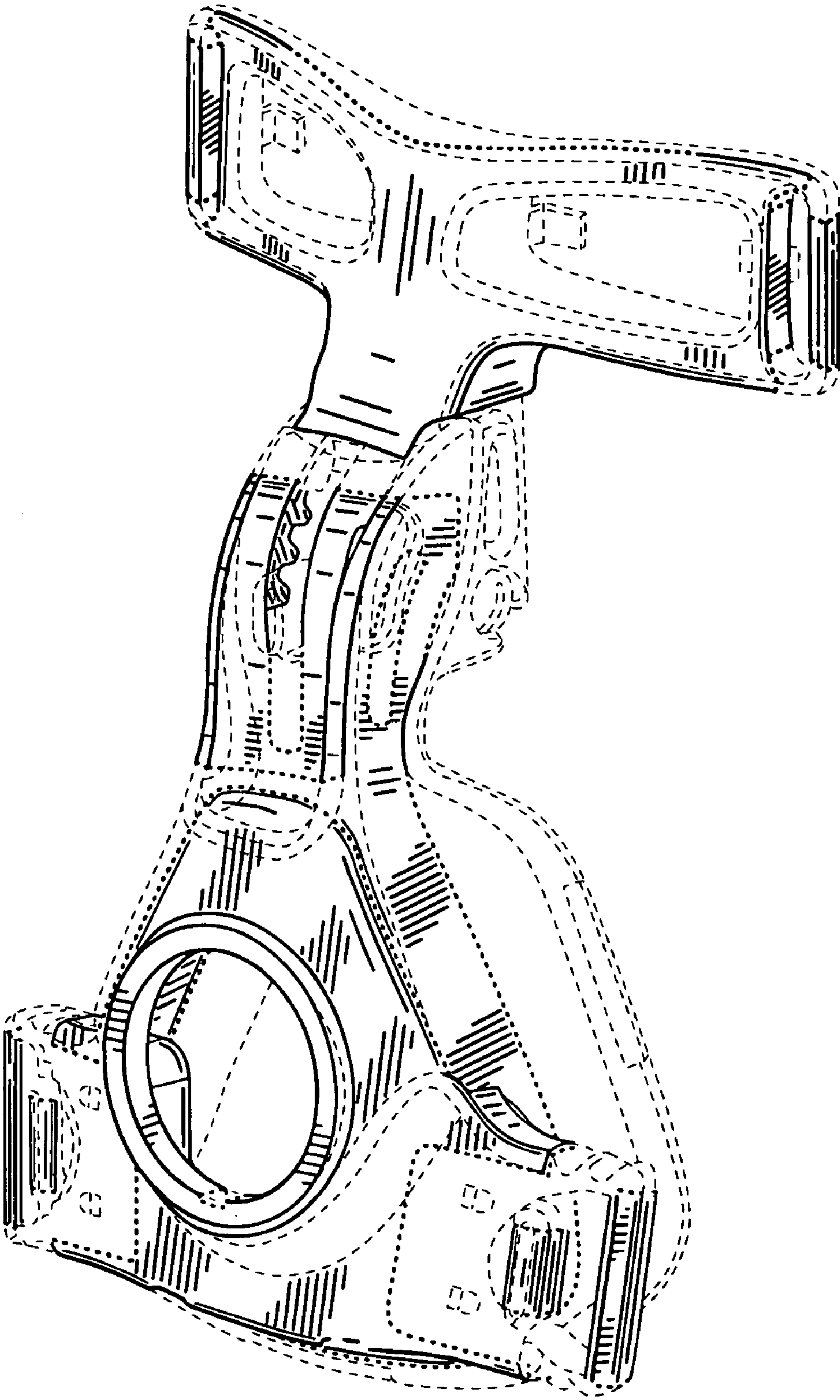


FIG. 1

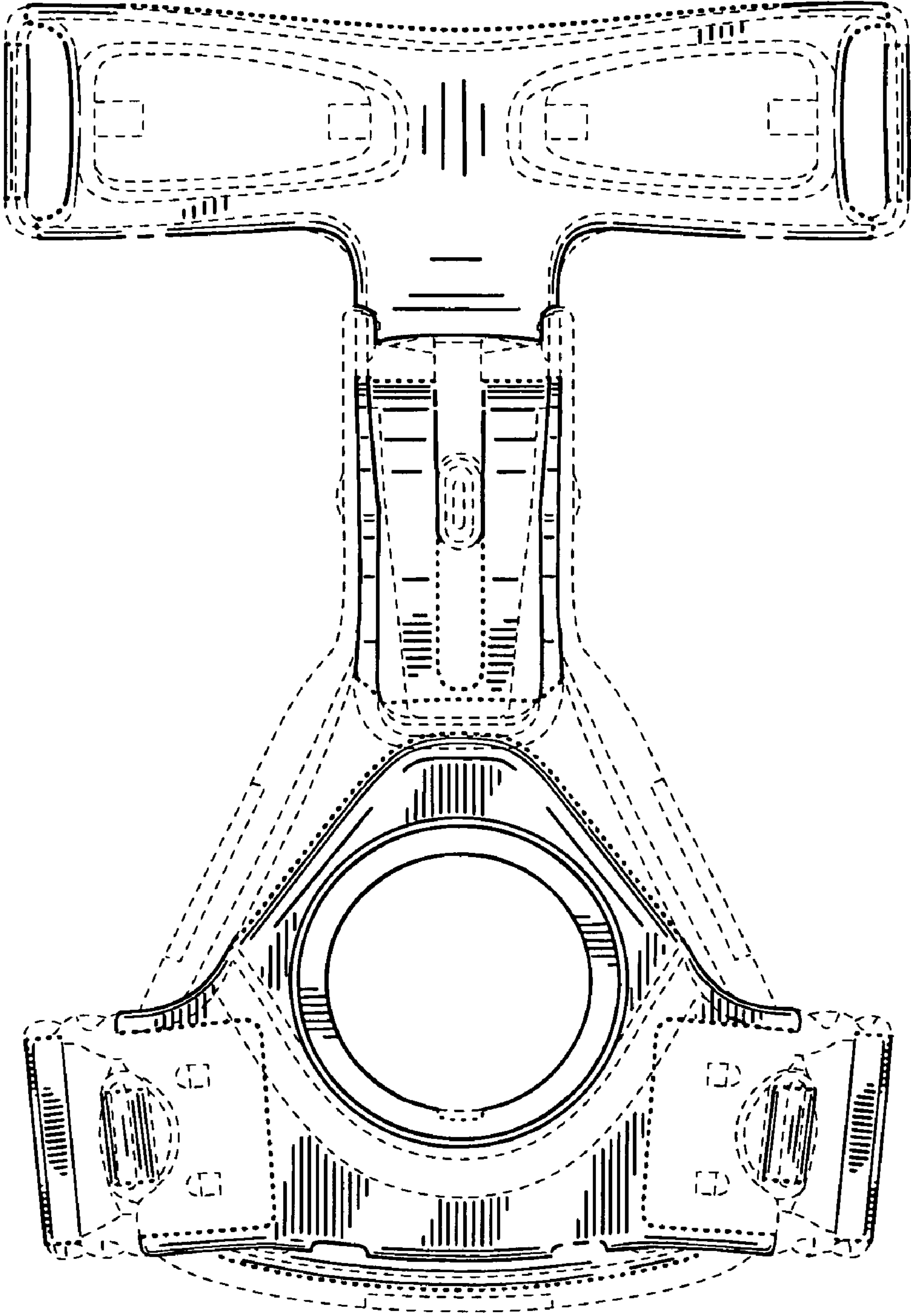


FIG. 2

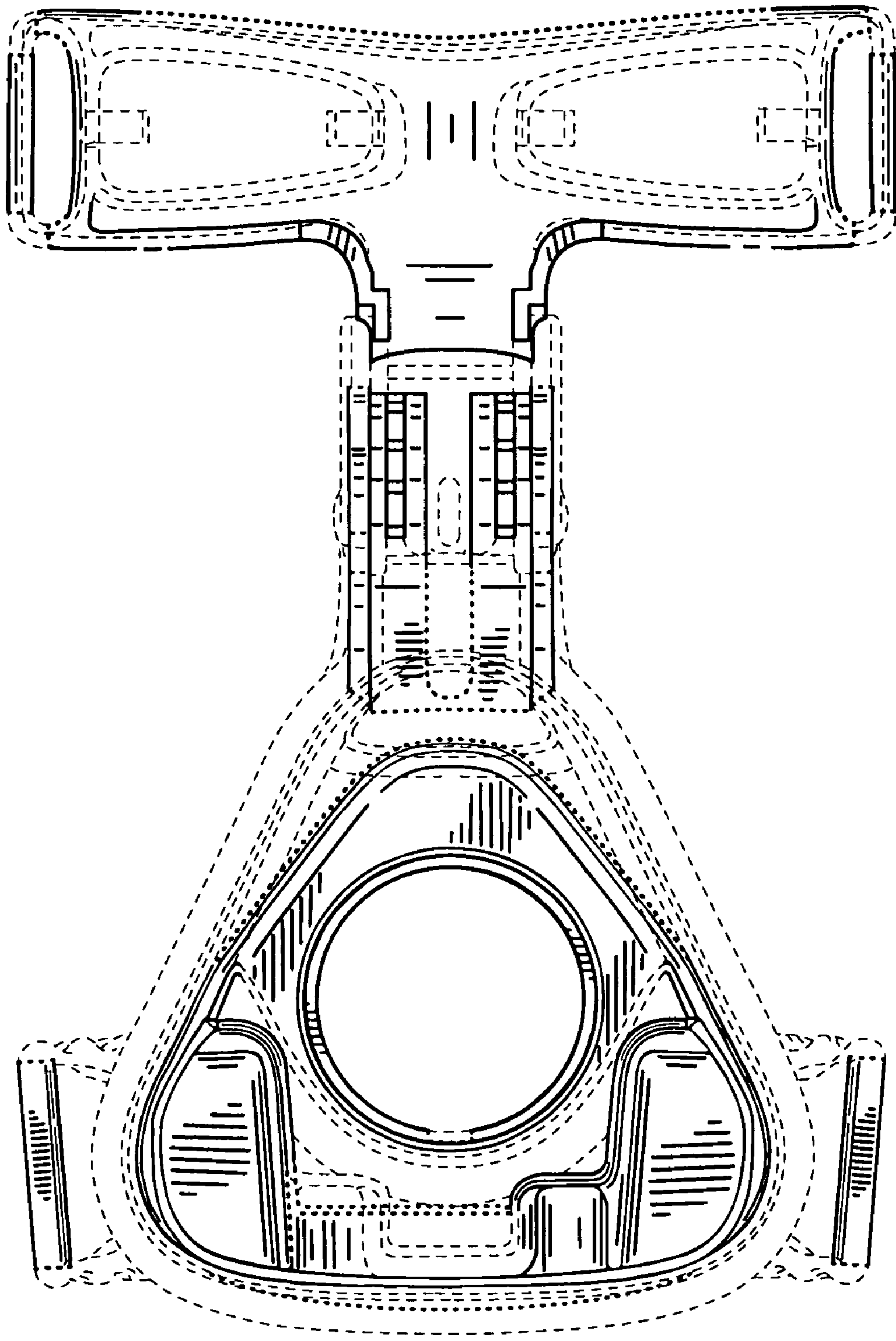


FIG. 3