



US00D576268S

(12) **United States Design Patent**
Solberg

(10) **Patent No.:** **US D576,268 S**

(45) **Date of Patent:** **** Sep. 2, 2008**

(54) **HANDHELD BREASTPUMP**

(75) Inventor: **Jill Solberg**, Woodstock, IL (US)

(73) Assignee: **Medela Holding AG**, Baar (CH)

(**) Term: **14 Years**

(21) Appl. No.: **29/298,143**

(22) Filed: **Nov. 29, 2007**

Related U.S. Application Data

(62) Division of application No. 29/269,095, filed on Nov. 20, 2006.

(51) **LOC (8) Cl.** **24-02**

(52) **U.S. Cl.** **D24/109**

(58) **Field of Classification Search** D24/109;
D15/7-9; 604/74-77

See application file for complete search history.

(56) **References Cited**

U.S. PATENT DOCUMENTS

D246,729 S *	12/1977	Murphy	D24/109
D367,928 S *	3/1996	Pharaoh	D24/109
D427,675 S *	7/2000	Hansel	D24/110
D468,822 S *	1/2003	Greter	D24/109
D484,970 S *	1/2004	Renz et al.	D24/109

D540,939 S *	4/2007	Pukall et al.	D24/109
D565,174 S *	3/2008	Pukall et al.	D24/109
2005/0085768 A1 *	4/2005	Greter et al.	604/74
2007/0219486 A1 *	9/2007	Myers et al.	604/74
2008/0021380 A1 *	1/2008	Thommen	604/74

* cited by examiner

Primary Examiner—Ian Simmons

Assistant Examiner—Carissa C Fitts

(74) *Attorney, Agent, or Firm*—McDonnell Boehnen Hulbert & Berghoff LLP

(57) **CLAIM**

The ornamental design for a handheld breastpump, as shown and described.

DESCRIPTION

FIG. 1 is a front perspective view of a breastpump showing the new design;

FIG. 2 is a front view of the breastpump of FIG. 1;

FIG. 3 is a rear view of the breastpump of FIG. 1;

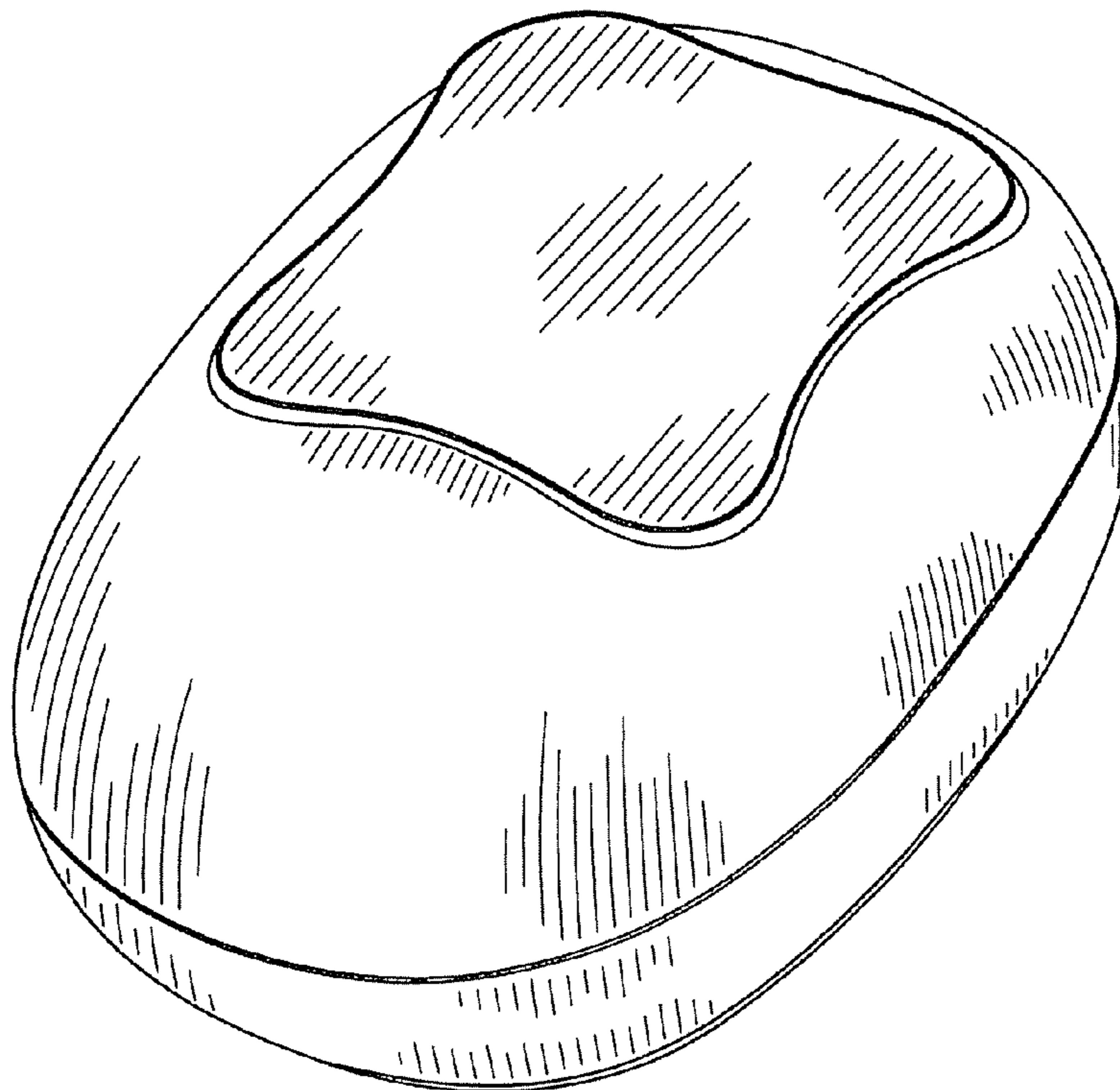
FIG. 4 is a side view of the breastpump of FIG. 1;

FIG. 5 is a side view of the breastpump of FIG. 1;

FIG. 6 is a top view of the breastpump of FIG. 1; and,

FIG. 7 is a bottom view of the breastpump of FIG. 1.

1 Claim, 3 Drawing Sheets



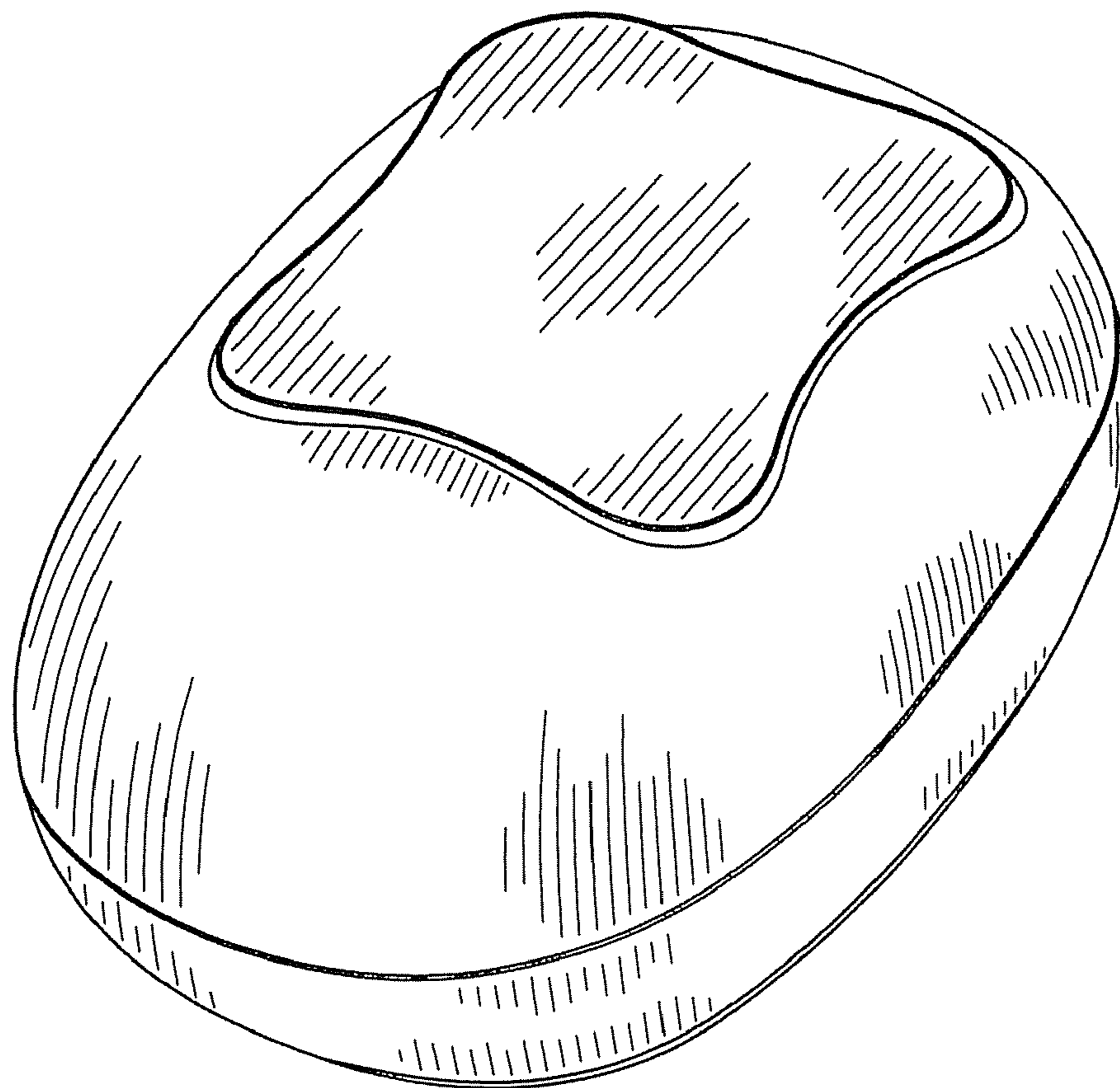


FIG. 1

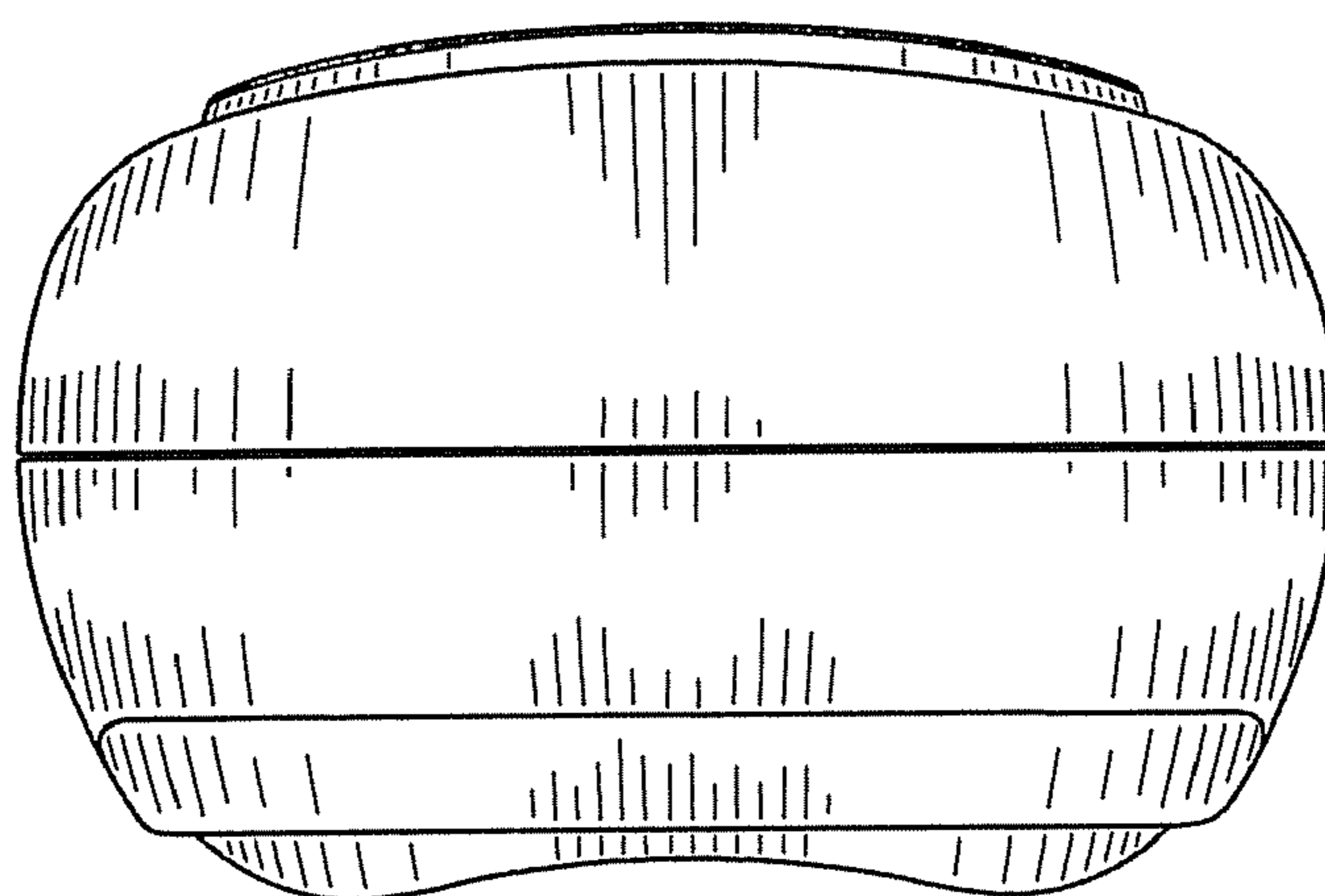


FIG. 2

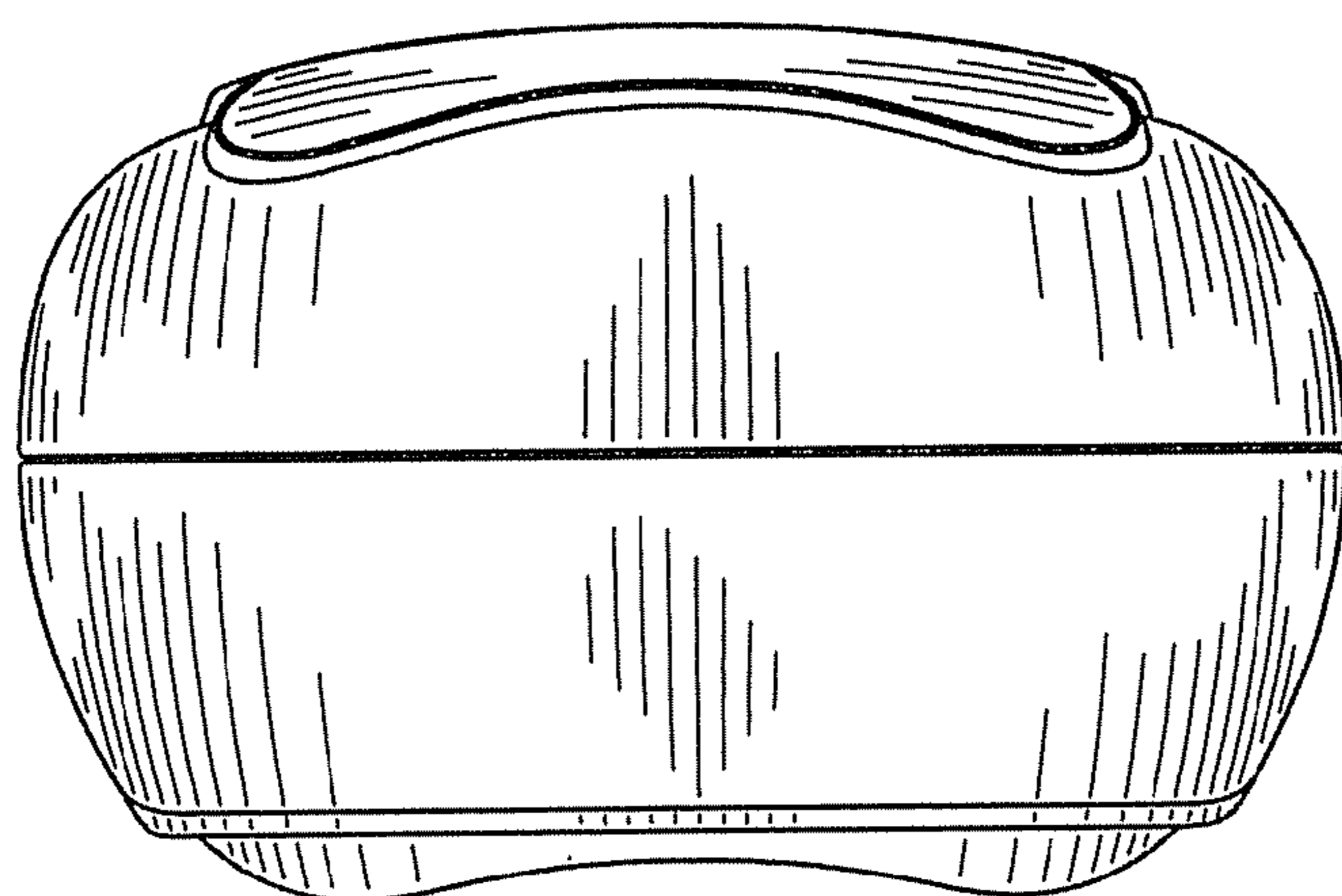


FIG. 3

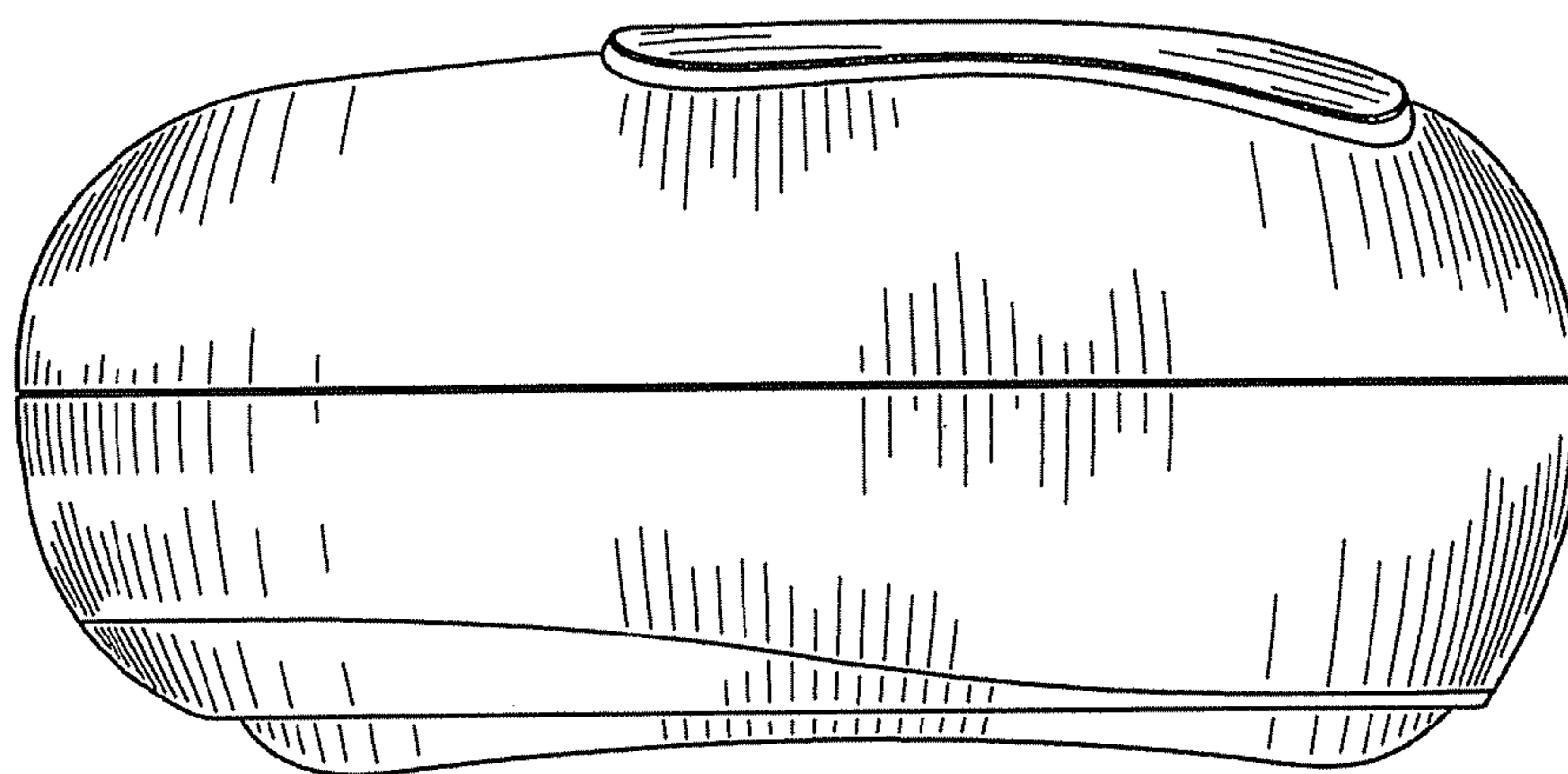


FIG. 4

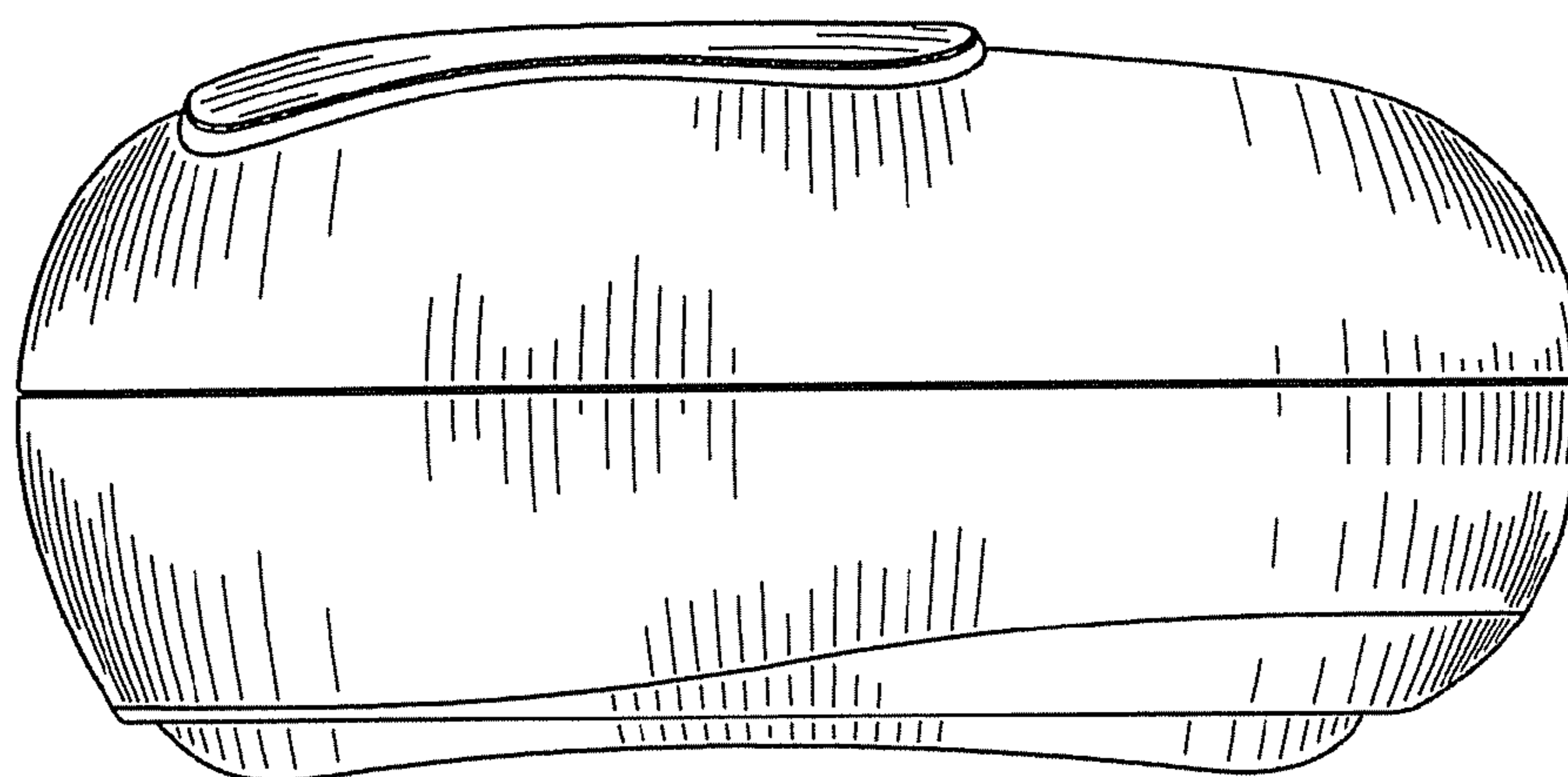


FIG. 5

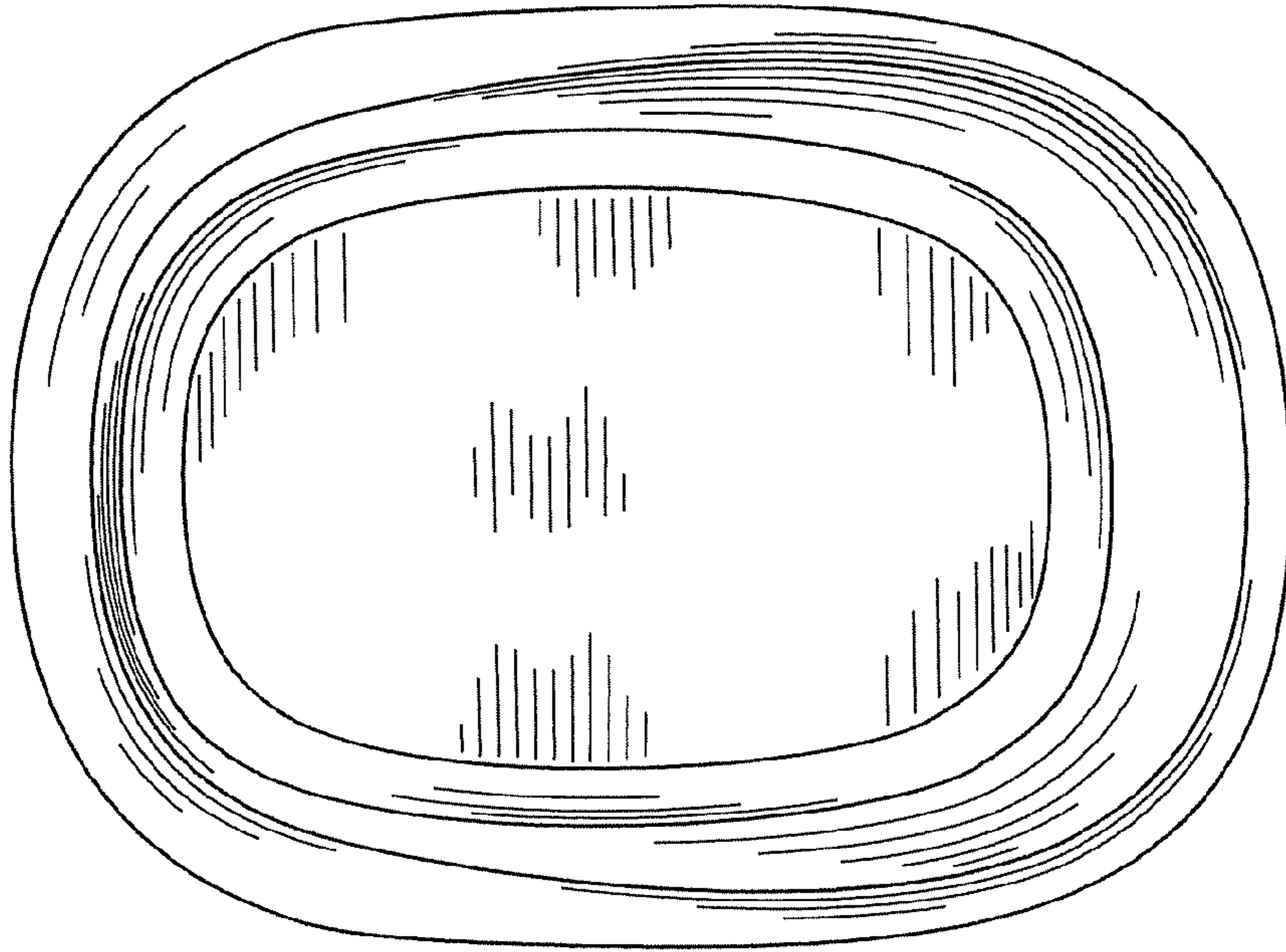


FIG. 7

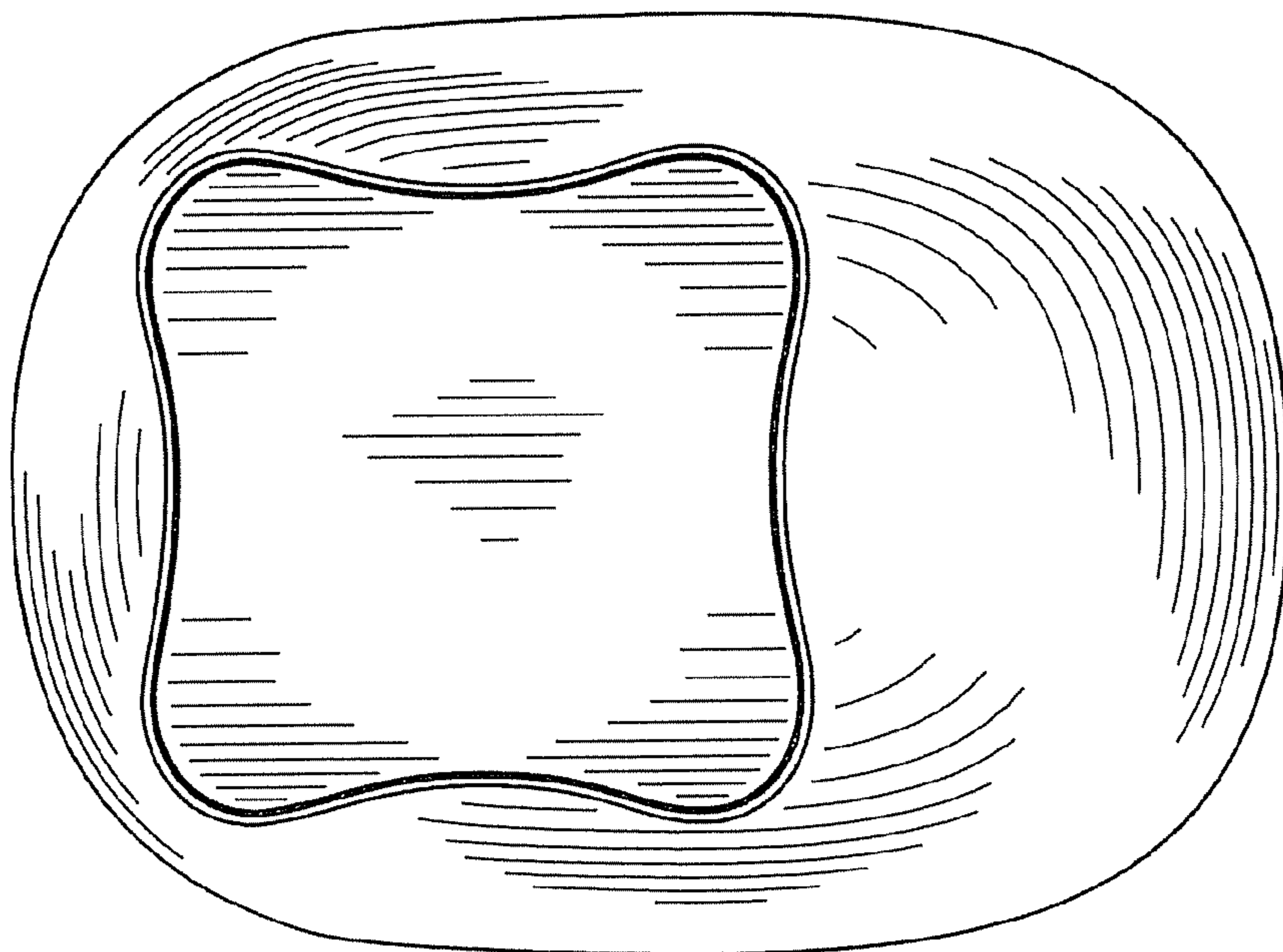


FIG. 6