



US00D576267S

(12) **United States Design Patent**
Mogensen et al.

(10) **Patent No.:** **US D576,267 S**

(45) **Date of Patent:** **** Sep. 2, 2008**

(54) **MEDICAL INFUSION DEVICE**

(75) Inventors: **Lasse Wesseltoft Mogensen**, Søborg (DK); **Grete Kornerup**, Haslev (DK); **Magnus Walter Göransson**, Malmö (SE)

(73) Assignee: **Unomedical A/S**, Birkerød (DK)

(**) Term: **14 Years**

(21) Appl. No.: **29/191,927**

(22) Filed: **Oct. 15, 2003**

(51) **LOC (8) Cl.** **24-01**

(52) **U.S. Cl.** **D24/108; D24/129**

(58) **Field of Classification Search** D24/108, D24/112, 129, 189; 128/888; 604/93.01, 604/167.05, 263, 180, 891.1, 174

See application file for complete search history.

(56) **References Cited**

U.S. PATENT DOCUMENTS

643,544 A	2/1900	Simmons
1,838,825 A	12/1931	Goldstein
1,991,103 A	2/1935	King
2,047,010 A	7/1936	Dickinson
2,295,849 A	9/1942	Kayden
2,319,731 A	5/1943	Garrett
2,533,731 A	12/1950	Gornberg
2,630,803 A	3/1953	Baran
2,690,529 A	9/1954	Lindblad
2,730,099 A	1/1956	Sullivan
2,839,060 A	6/1958	Ormo
2,936,141 A	5/1960	Rapata
2,952,420 A	9/1960	Von Hoorn
3,055,361 A	9/1962	Ballard
3,074,541 A	1/1963	Roehr
3,107,785 A	10/1963	Roehr
3,154,080 A	10/1964	Rowan et al.
3,317,166 A	5/1967	Janssen
3,545,286 A	12/1970	Stenstrom
3,610,240 A	10/1971	Harautuneian
3,648,999 A	3/1972	Bauer

3,783,996 A	1/1974	Gerard et al.
3,814,097 A	6/1974	Ganderton et al.
3,831,729 A	8/1974	Howard
3,840,011 A	10/1974	Wright
3,865,236 A	2/1975	Rycroft
3,942,528 A	3/1976	Loeser
3,986,508 A	10/1976	Barrington
4,014,328 A	3/1977	Cluff et al.

(Continued)

FOREIGN PATENT DOCUMENTS

DE 893 296 12/1953

(Continued)

Primary Examiner—Ian Simmons
Assistant Examiner—Christopher Lee
(74) *Attorney, Agent, or Firm*—Brinks Hofer Gilson & Lione

(57) **CLAIM**

We claim the ornamental design for a medical infusion device, as shown and described.

DESCRIPTION

FIG. 1 is a left side elevational view of an embodiment of the medical infusion device showing my new design, the right side elevational view being a mirror image thereof;

FIG. 2 is a front side elevational view thereof;

FIG. 3 is a rear side elevational view thereof;

FIG. 4 is a top plan view thereof;

FIG. 5 is a bottom plan view thereof;

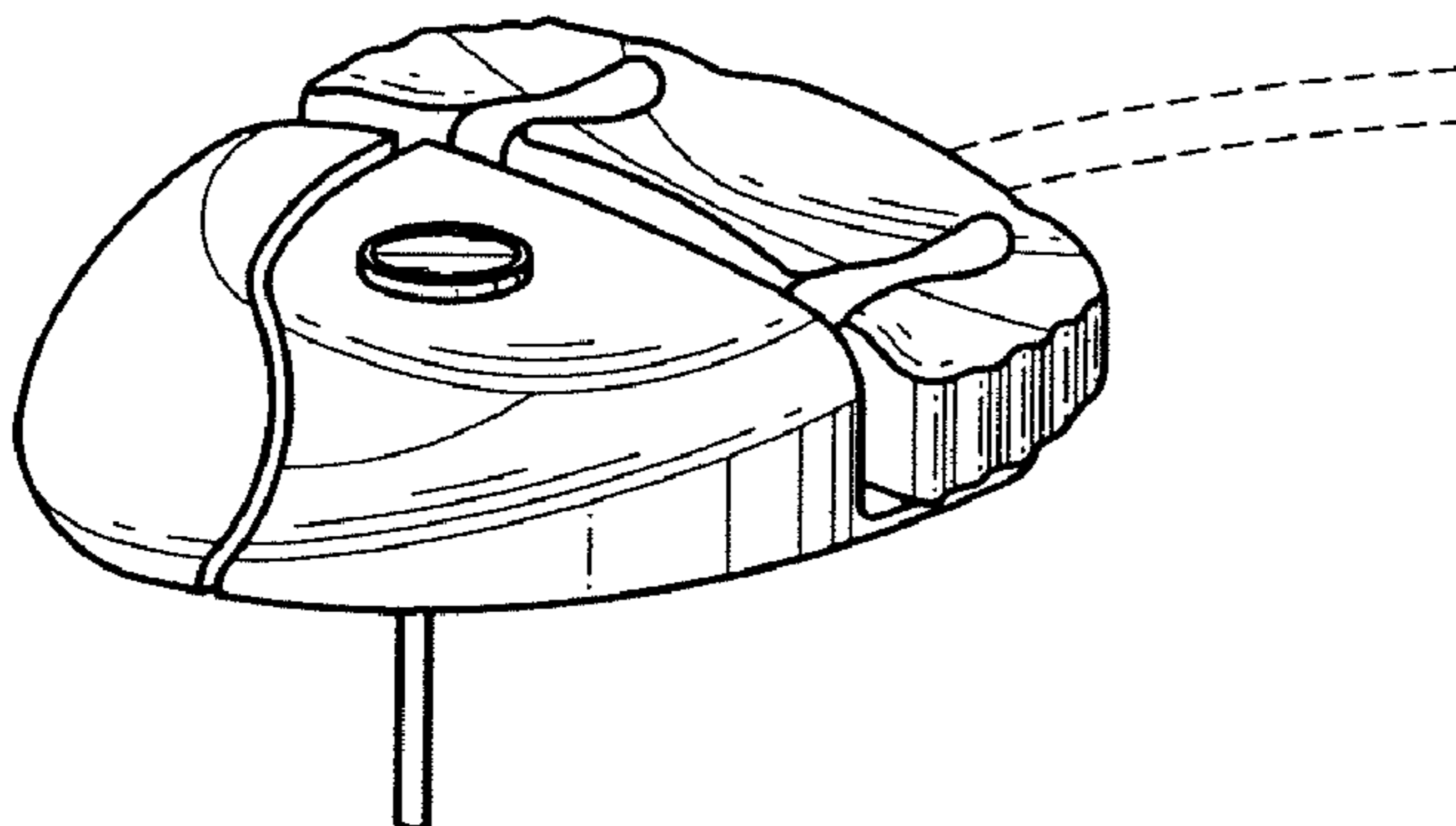
FIG. 6 is a top front perspective view thereof;

FIG. 7 is a top rear perspective view thereof; and,

FIG. 8 is a bottom rear perspective view thereof.

The ornamental design which is claimed is shown in solid lines in the drawings. Any broken lines in the drawings are for illustrative purposes only and form no part of the claimed design.

1 Claim, 3 Drawing Sheets



US D576,267 S

Page 2

U.S. PATENT DOCUMENTS					
			5,163,915 A	11/1992	Holleron
4,022,205 A	5/1977	Tenczar	5,176,662 A	1/1993	Bartholomew et al.
4,146,113 A	3/1979	Gavel	5,188,314 A	2/1993	Peters
4,150,798 A	4/1979	Aragon	5,188,611 A	2/1993	Orgain
4,188,950 A	2/1980	Wardlaw	RE34,223 E	4/1993	Bonaldo
4,201,406 A	5/1980	Dennehey et al.	5,222,947 A	6/1993	D'Amico
4,227,528 A	10/1980	Wardlaw	5,232,454 A	8/1993	Hollister
4,267,836 A	5/1981	Whitney et al.	5,236,143 A	8/1993	Dragon
4,306,705 A	12/1981	Svenson	5,240,199 A	8/1993	Peters
4,315,505 A	2/1982	Crandall et al.	5,248,301 A	9/1993	Koenig et al.
4,334,551 A	6/1982	Pfister	5,256,152 A	10/1993	Marks
D267,199 S	12/1982	Koenig	5,257,980 A	11/1993	Van Antwerp et al.
4,365,630 A	12/1982	McFarlane	5,265,822 A	11/1993	Shober, Jr. et al.
4,400,861 A	8/1983	Parker	5,269,799 A	12/1993	Daniel
4,406,042 A	9/1983	McPhee	5,279,579 A	1/1994	D'Amico
4,458,344 A	7/1984	Coogler	5,279,591 A	1/1994	Simon
4,472,024 A	9/1984	Konomura et al.	5,282,793 A	2/1994	Larson
4,473,369 A	9/1984	Lueders et al.	5,300,030 A	4/1994	Crossman et al.
4,500,312 A	2/1985	McFarlane	5,312,359 A	5/1994	Wallace
4,517,971 A	5/1985	Sorbonned	5,312,369 A	5/1994	Arcusin et al.
4,530,695 A	7/1985	Phillips et al.	5,316,246 A	5/1994	Scott et al.
4,531,686 A	7/1985	Shaw	5,324,302 A	6/1994	Crouse
4,576,846 A	3/1986	Noel	5,342,319 A	8/1994	Watson et al.
4,606,735 A	8/1986	Wilder et al.	5,342,324 A	8/1994	Tucker
4,610,469 A	9/1986	Wolff-Mooij	5,343,637 A	9/1994	Schindler
4,616,790 A	10/1986	Beltran	5,350,392 A	9/1994	Purcell et al.
4,619,349 A	10/1986	Braun	5,354,280 A	10/1994	Haber et al.
4,635,683 A	1/1987	Nielsen	5,366,469 A	11/1994	Steg et al.
4,637,404 A	1/1987	Gessman	5,372,592 A	12/1994	Gambale
4,662,873 A	5/1987	Lash et al.	5,376,082 A	12/1994	Phelps
4,682,702 A	7/1987	Gach	5,380,067 A	1/1995	Turvill et al.
4,713,059 A	12/1987	Bickelhaupt et al.	5,384,174 A	1/1995	Ward et al.
4,734,092 A	3/1988	Millerd	5,387,197 A	2/1995	Smith et al.
4,755,173 A	7/1988	Konopka et al.	5,388,931 A	2/1995	Carlson
4,758,020 A	7/1988	Boyd	5,390,669 A	2/1995	Stuart et al.
4,800,629 A	1/1989	Ikeda	5,391,151 A	2/1995	Wilmot
4,802,638 A	2/1989	Burger et al.	5,403,288 A	4/1995	Stanners
4,817,603 A	4/1989	Turner et al.	5,405,332 A	4/1995	Opalek
RE32,922 E	5/1989	Levin et al.	5,429,607 A	7/1995	McPhee
4,838,871 A	6/1989	Luther	5,429,613 A	7/1995	D'Amico
4,840,613 A	6/1989	Balbierz	5,433,307 A	7/1995	Jeppé
4,850,974 A	7/1989	Bickelhaupt et al.	D362,718 S	9/1995	Deily et al.
4,878,897 A	11/1989	Katzin	5,449,349 A	9/1995	Sallee et al.
4,895,570 A	1/1990	Larkin	5,487,506 A	1/1996	Drummond et al.
D306,500 S	3/1990	Brahler	5,490,841 A	2/1996	Landis
4,913,369 A	4/1990	Lia et al.	5,492,313 A	2/1996	Pan et al.
4,917,669 A	4/1990	Bonaldo	5,505,709 A	4/1996	Funderburk et al.
4,935,010 A	6/1990	Cox et al.	5,507,730 A	4/1996	Haber et al.
4,950,163 A	8/1990	Zimble	5,519,167 A	5/1996	Kunimoto et al.
4,950,252 A	8/1990	Luther et al.	5,520,654 A	5/1996	Wahlberg
4,978,338 A	12/1990	Melsky et al.	5,522,803 A	6/1996	Teissen-Simony
4,982,842 A	1/1991	Hollister	5,533,974 A	7/1996	Gaba
4,986,817 A	1/1991	Code	5,540,709 A	7/1996	Ramel
4,994,045 A	2/1991	Ranford	5,545,143 A	8/1996	Fischell
5,011,475 A	4/1991	Olsen	5,545,152 A	8/1996	Funderburk et al.
5,024,662 A	6/1991	Menes et al.	5,554,130 A	9/1996	McDonald et al.
5,067,496 A	11/1991	Eisele	5,558,650 A	9/1996	McPhee
5,077,872 A	1/1992	Guthammar	5,562,636 A	10/1996	Utterberg
5,083,757 A	1/1992	Barsky	5,584,813 A	12/1996	Livingston et al.
5,098,389 A	3/1992	Cappucci	5,591,188 A	1/1997	Waisman
5,112,313 A	5/1992	Sallee	5,599,309 A	2/1997	Marshall et al.
5,116,319 A	5/1992	Van den Haak	5,599,315 A	2/1997	McPhee
5,116,324 A	5/1992	Brierley et al.	5,599,318 A	2/1997	Sweeney et al.
5,116,325 A	5/1992	Paterson	5,628,765 A	5/1997	Morita
5,121,751 A	6/1992	Panalletta	5,643,214 A	7/1997	Marshall
5,134,593 A	7/1992	Logan et al.	5,643,216 A	7/1997	White
5,134,594 A	7/1992	Woo	5,643,220 A	7/1997	Cosme
5,137,524 A	8/1992	Lynn et al.	5,662,617 A	9/1997	Odell et al.
5,141,496 A	8/1992	Dalto et al.	5,665,071 A	9/1997	Wyrick
5,147,319 A	9/1992	Ishikawa et al.	5,665,075 A	9/1997	Gyure et al.
5,147,375 A	9/1992	Sullivan et al.	5,681,323 A	10/1997	Arick
5,161,681 A	11/1992	Kemp et al.	5,695,476 A	12/1997	Harris
			5,704,920 A	1/1998	Gyure

US D576,267 S

Page 3

5,709,516 A	1/1998	Peterson et al.	6,629,949 B1	10/2003	Douglas
5,714,225 A	2/1998	Hansen et al.	6,645,182 B1	11/2003	Szabo
5,741,288 A	4/1998	Rife	6,685,674 B2	2/2004	Douglas et al.
5,752,923 A	5/1998	Terwilliger	6,702,779 B2	3/2004	Connelly et al.
5,810,835 A	9/1998	Ryan et al.	6,726,649 B2	4/2004	Swenson et al.
5,820,598 A	10/1998	Gazza et al.	6,736,797 B1	5/2004	Larsen et al.
D402,538 S	12/1998	Wagter et al.	6,749,589 B1	6/2004	Douglas et al.
5,843,001 A	12/1998	Goldenberg	6,790,199 B1	9/2004	Gianakos
5,851,197 A	12/1998	Marano et al.	6,805,686 B1	10/2004	Fathallah et al.
5,858,001 A	1/1999	Tsals et al.	6,811,545 B2	11/2004	Vaillancourt
5,865,806 A	2/1999	Howell	6,814,720 B2	11/2004	Olsen et al.
5,873,540 A	2/1999	Hardin	6,824,530 B2	11/2004	Wagner et al.
5,899,886 A	5/1999	Cosme	6,824,531 B1	11/2004	Zecha, Jr. et al.
5,913,846 A	6/1999	Szabo	6,830,562 B2	12/2004	Mogensen et al.
5,915,640 A	6/1999	Wagter et al.	6,837,877 B2	1/2005	Zurcher
5,919,167 A	7/1999	Mulhauser et al.	6,840,922 B2	1/2005	Nielsen et al.
5,925,032 A	7/1999	Clements	6,880,701 B2	4/2005	Bergeron et al.
5,947,935 A	9/1999	Rinehart et al.	6,916,017 B2	7/2005	Noe
5,951,523 A	9/1999	Osterlind et al.	6,923,791 B2	8/2005	Douglas
5,954,643 A	9/1999	VanAntwerp et al.	6,926,694 B2	8/2005	Marano-Ford et al.
5,957,892 A	9/1999	Thorne	6,939,331 B2	9/2005	Ohshima
5,968,011 A	10/1999	Larsen et al.	6,949,084 B2	9/2005	Marggi et al.
5,975,120 A	11/1999	Novosel	2001/0004970 A1	6/2001	Hollister et al.
5,980,488 A	11/1999	Thorne	2001/0016714 A1	8/2001	Bell et al.
5,980,506 A	11/1999	Mathiasen	2001/0021827 A1	9/2001	Ferguson et al.
5,984,224 A	11/1999	Yang	2001/0039401 A1	11/2001	Ferguson et al.
5,984,897 A	11/1999	Petersen et al.	2001/0041875 A1	11/2001	Higuchi et al.
5,992,787 A	11/1999	Burke	2002/0022855 A1	2/2002	Bobroff et al.
D417,733 S	12/1999	Howell et al.	2002/0068904 A1	6/2002	Pluth et al.
6,017,328 A	1/2000	Fischell et al.	2002/0072720 A1	6/2002	Hague et al.
D421,119 S	2/2000	Musgrave et al.	2002/0077599 A1	6/2002	Wojcik
6,039,629 A	3/2000	Mitchell	2002/0107489 A1	8/2002	Lee
6,042,570 A	3/2000	Bell et al.	2002/0111581 A1	8/2002	Sasso
6,045,533 A	4/2000	Kriesel et al.	2002/0145073 A1	10/2002	Swanson
6,050,976 A	4/2000	Thorne et al.	2002/0156424 A1	10/2002	Suzuki et al.
6,056,718 A	5/2000	Funderburk et al.	2002/0156427 A1	10/2002	Suzuki et al.
6,074,371 A	6/2000	Fischell	2002/0161332 A1	10/2002	Ramey
6,086,008 A	7/2000	Gray et al.	2002/0169419 A1	11/2002	Steg
6,086,575 A	7/2000	Mejslov	2002/0173748 A1	11/2002	McConnell et al.
6,090,068 A	7/2000	Chanut	2002/0183688 A1	12/2002	Lastovich et al.
6,093,172 A	7/2000	Funderburk et al.	2002/0189688 A1	12/2002	Roorda
6,093,179 A	7/2000	O'Hara et al.	2002/0193737 A1	12/2002	Popovsky
6,099,503 A	8/2000	Stardella	2002/0193744 A1	12/2002	Alesi et al.
6,105,218 A	8/2000	Reekie	2003/0069548 A1	4/2003	Connelly et al.
6,120,482 A	9/2000	Szabo	2003/0105430 A1	6/2003	Lavi et al.
6,123,690 A	9/2000	Mejslov	2003/0109829 A1	6/2003	Mogensen et al.
6,132,755 A	10/2000	Eicher et al.	2003/0125669 A1	7/2003	Safabash et al.
6,183,464 B1	2/2001	Sharp et al.	2003/0125678 A1	7/2003	Swenson et al.
6,193,694 B1	2/2001	Bell et al.	2003/0130619 A1	7/2003	Safabash et al.
6,219,574 B1	4/2001	Cormier et al.	2003/0139704 A1	7/2003	Lin
6,221,058 B1	4/2001	Kao et al.	2003/0158520 A1	8/2003	Safabash et al.
6,248,093 B1	6/2001	Moberg	2003/0176843 A1	9/2003	Wilkinson
6,293,925 B1	9/2001	Safabash et al.	2003/0181863 A1	9/2003	Davis et al.
6,302,866 B1	10/2001	Marggi	2003/0181868 A1	9/2003	Swenson
6,319,232 B1	11/2001	Kashmer	2003/0181873 A1	9/2003	Swenson
6,322,535 B1	11/2001	Hitchins et al.	2003/0181874 A1	9/2003	Bressler et al.
6,322,808 B1	11/2001	Trautman et al.	2003/0187394 A1	10/2003	Wilkinson et al.
6,334,856 B1	1/2002	Allen et al.	2003/0187395 A1	10/2003	Wilkinson et al.
6,355,021 B1	3/2002	Nielsen et al.	2003/0199823 A1	10/2003	Bobroff et al.
6,379,335 B1	4/2002	Rigon et al.	2003/0216686 A1	11/2003	Lynch et al.
D456,692 S	5/2002	Epstein	2003/0225373 A1	12/2003	Bobroff et al.
6,387,076 B1	5/2002	Landuyt	2003/0225374 A1	12/2003	Mathiasen
6,488,663 B1	12/2002	Steg	2003/0229308 A1	12/2003	Tsals et al.
6,517,517 B1	2/2003	Farrugia et al.	2003/0229316 A1	12/2003	Hwang et al.
6,520,938 B1	2/2003	Funderburk et al.	2004/0002682 A1	1/2004	Kovelman et al.
D472,316 S	3/2003	Douglas et al.	2004/0006316 A1	1/2004	Patton
D472,630 S	4/2003	Douglas et al.	2004/0026840 A1	2/2004	Eckel et al.
6,572,586 B1	6/2003	Wojcik	2004/0044306 A1	3/2004	Lynch et al.
6,579,267 B2	6/2003	Lynch et al.	2004/0049159 A1	3/2004	Barrus et al.
6,582,397 B2	6/2003	Alesi et al.	2004/0068231 A1	4/2004	Blondeau
6,595,962 B1	7/2003	Perthu	2004/0087913 A1	5/2004	Rogers et al.
6,607,509 B2	8/2003	Bobroff et al.	2004/0111068 A1	6/2004	Swenson
6,607,511 B2	8/2003	Bobroff et al.	2004/0112781 A1	6/2004	Hofverberg et al.

US D576,267 S

2004/0116865	A1	6/2004	Bengtsson	EP	0 956 879	A1	11/1999
2004/0138612	A1	7/2004	Shermer et al.	EP	1 045 145	A1	10/2000
2004/0138620	A1	7/2004	Douglas et al.	EP	1 060 757	A1	12/2000
2004/0143216	A1	7/2004	Douglas et al.	EP	1 086 718	A	3/2001
2004/0143218	A1	7/2004	Das	EP	1 125 593	A1	8/2001
2004/0158202	A1	8/2004	Jensen	EP	1 167 765	A2	1/2002
2004/0158207	A1	8/2004	Hunn et al.	EP	0 775 501		6/2002
2004/0162518	A1	8/2004	Connelly et al.	EP	0 894 216	B1	7/2003
2004/0171989	A1	9/2004	Horner et al.	EP	1 380 315	A1	1/2004
2004/0178098	A1	9/2004	Swenson et al.	EP	0 956 879	A1	7/2004
2004/0186446	A1	9/2004	Ohshima	FR	576 849		8/1924
2004/0199123	A1*	10/2004	Nielsen 604/180	FR	2 611 013		8/1988
2004/0204687	A1	10/2004	Mogensen et al.	FR	2 725 902		10/1994
2004/0204690	A1	10/2004	Yashiro et al.	FR	2 733 915		11/1996
2004/0220528	A1	11/2004	Garcia, Jr.	FR	2733915	A1	11/1996
2004/0238392	A1	12/2004	Peterson et al.	FR	2 781 617	A1	1/2000
2004/0243065	A1	12/2004	McConnell et al.	FR	2781617	A1	1/2000
2004/0254433	A1	12/2004	Bandis et al.	GB	478803		1/1938
2004/0260235	A1	12/2004	Douglas	GB	591730		3/1946
2004/0260250	A1	12/2004	Harris et al.	GB	906574		9/1962
2005/0035014	A1	2/2005	Cane	GB	1 268 575		3/1972
2005/0101932	A1	5/2005	Cote et al.	GB	1 403 034		8/1975
2005/0101933	A1	5/2005	Marrs et al.	GB	2 224 808	A	5/1990
2005/0107743	A1	5/2005	Fangrow, Jr.	GB	2 270 552	A	3/1994
2005/0113761	A1	5/2005	Faust et al.	JP	5326062	A	12/1993
2005/0119637	A1	6/2005	Lundgren et al.	JP	05326062	A	12/1993
2005/0124936	A1	6/2005	Mogensen et al.	JP	7051251		11/1995
2005/0159709	A1	7/2005	Wilkinson	JP	9217584	A	9/1997
2005/0215979	A1	9/2005	Konerup et al.	JP	2000-59877	A	2/2000
2005/0251098	A1	11/2005	Wyss et al.	JP	3140740		2/2000
2005/0277892	A1	12/2005	Chen	JP	2000059877	A	2/2000
2005/0283114	A1	12/2005	Bresina et al.	JP	3140740	B2	3/2001
2006/0030815	A1	2/2006	Csincsura et al.	JP	2002-028246		1/2002

FOREIGN PATENT DOCUMENTS

DE	1 053 541	3/1959
DE	DT 26 20 009 A1	12/1977
DE	28 03 509	8/1979
DE	37 15 965 A	1/1988
DE	196 31 921	3/1997
DE	298 18 311 U1	3/1999
DE	298 18 311 U1	11/1999
DE	19847143 A1	1/2000
DE	101 06 074 A1	9/2000
DE	299 21 406	1/2001
DE	101 06 074 A1	6/2002
DE	299 21 406 U1	11/2002
DK	DE 37 22 893 C1	6/1988
DK	DE 38 23 447	2/1996
DK	DE 196 10 692 A1	9/1997
DK	DE 198 47 143 A1	1/2000
DK	DE 100 49 001 A1	4/2002
EP	188 014 B1	10/1985
EP	0 239 244 B1	2/1987
EP	0 298 521 B1	9/1990
EP	0 184 231 B1	1/1992
EP	0 475 857	3/1992
EP	0 544 837 B1	6/1993
EP	0 633 039	7/1994
EP	0 651 662	5/1995
EP	0 714 631 B1	6/1996
EP	744 183 A2	11/1996
EP	0 747 006 A1	12/1996
EP	0 688 232 B1	12/1998
EP	0 884 108 A1	12/1998
EP	0 916 361 A1	5/1999
EP	0 931 560 A1	7/1999

NL	1017427	C	11/2002
WO	WO 87/06474		11/1987
WO	WO 93/03787		3/1993
WO	WO 93/05840		4/1993
WO	WO 94/20160		9/1994
WO	WO 95/28327	A	10/1995
WO	WO 96/35472	A1	11/1996
WO	WO 98/09065		3/1998
WO	WO 98/58693		12/1998
WO	WO 99/07435		2/1999
WO	WO 99/33504		7/1999
WO	WO 99/36009		7/1999
WO	WO 99/56802		11/1999
WO	WO 99/61815		12/1999
WO	WO 00/02614		1/2000
WO	WO 00/03757		1/2000
WO	WO 00/44324	A1	8/2000
WO	WO 01/04507	A1	1/2001
WO	WO 01/30419	A2	5/2001
WO	WO 01/68180		9/2001
WO	WO 01/81785	A1	11/2001
WO	WO 01/93926	A2	12/2001
WO	WO 02/46080		6/2002
WO	WO 02/066854	A1	8/2002
WO	WO 02/094352		11/2002
WO	WO 02/100457		12/2002
WO	WO 02/068014		1/2003
WO	WO 03/015860	A1	2/2003
WO	WO 03/026728		4/2003
WO	WO 2004/030726	A	4/2004
WO	WO 2004/087240		10/2004
WO	WO 2005/004973		1/2005

* cited by examiner

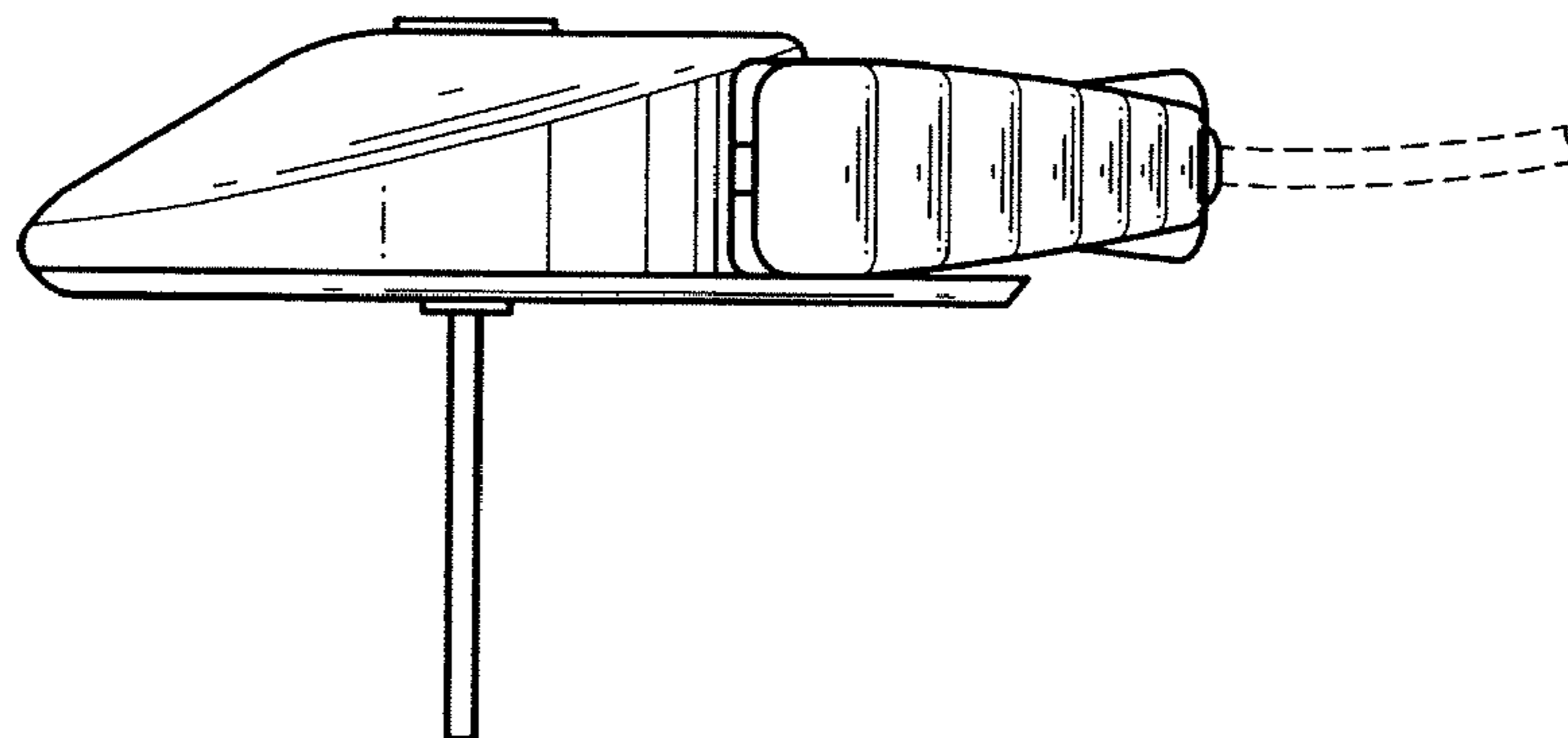


FIG. 1

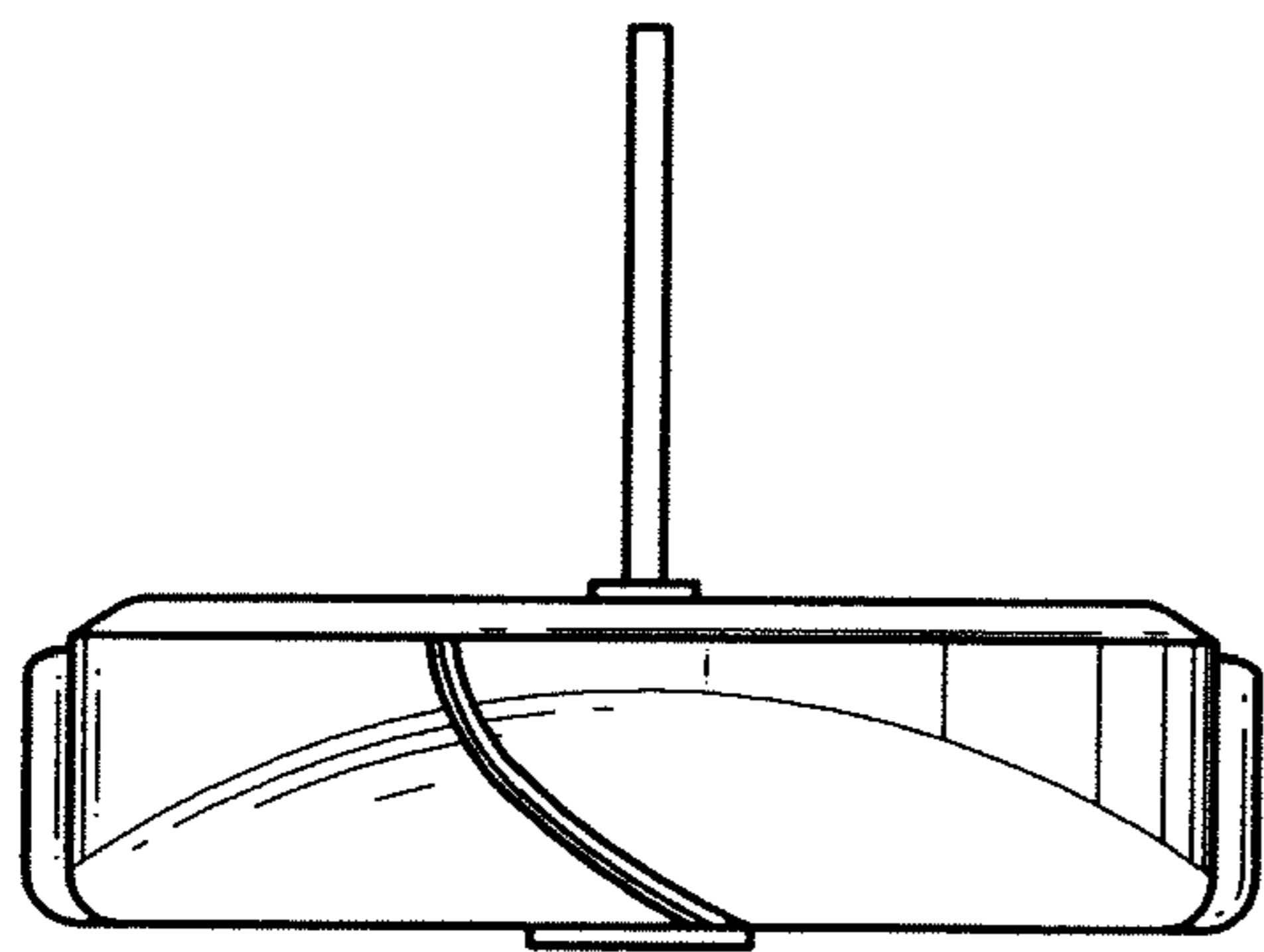


FIG. 2

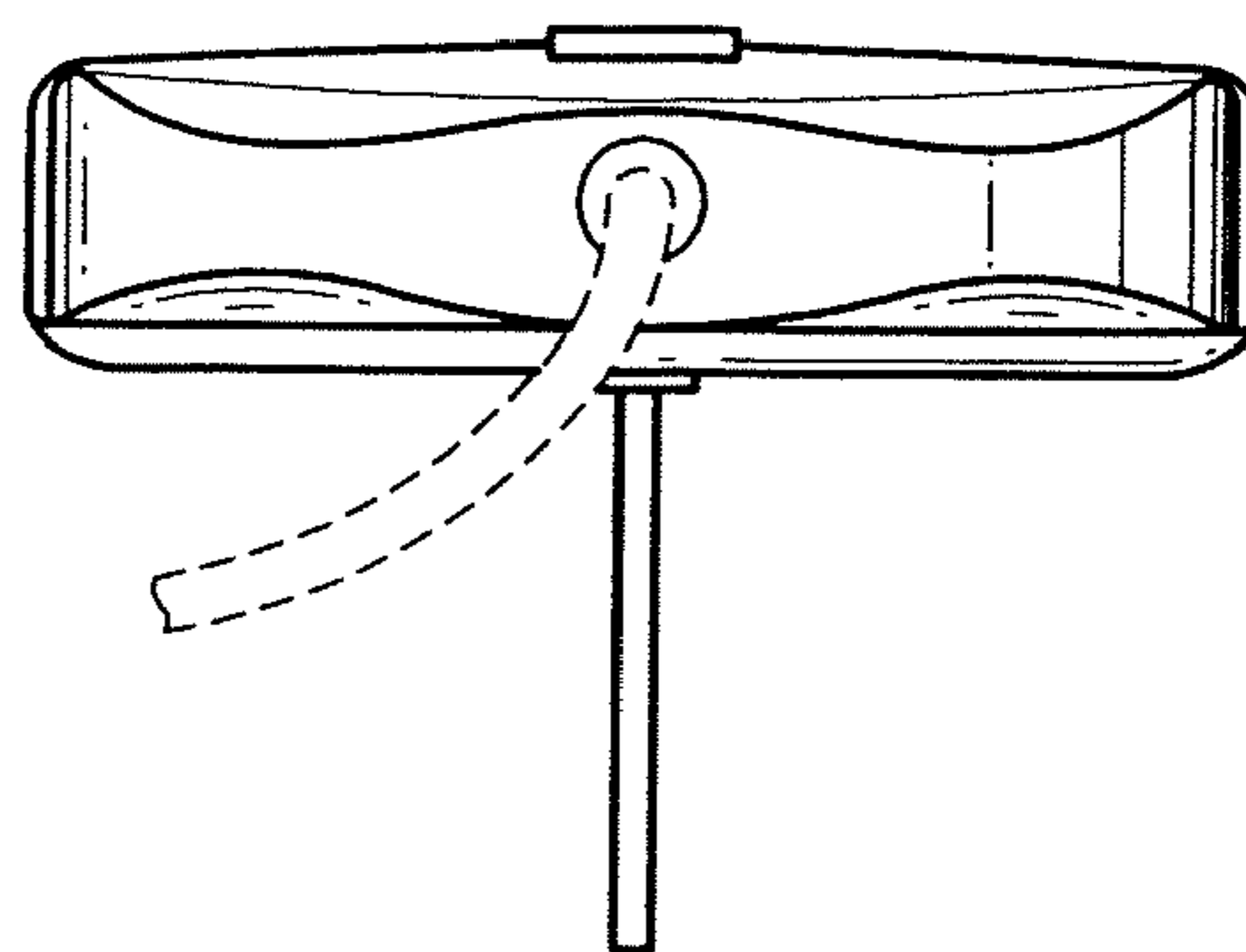


FIG. 3

FIG. 4

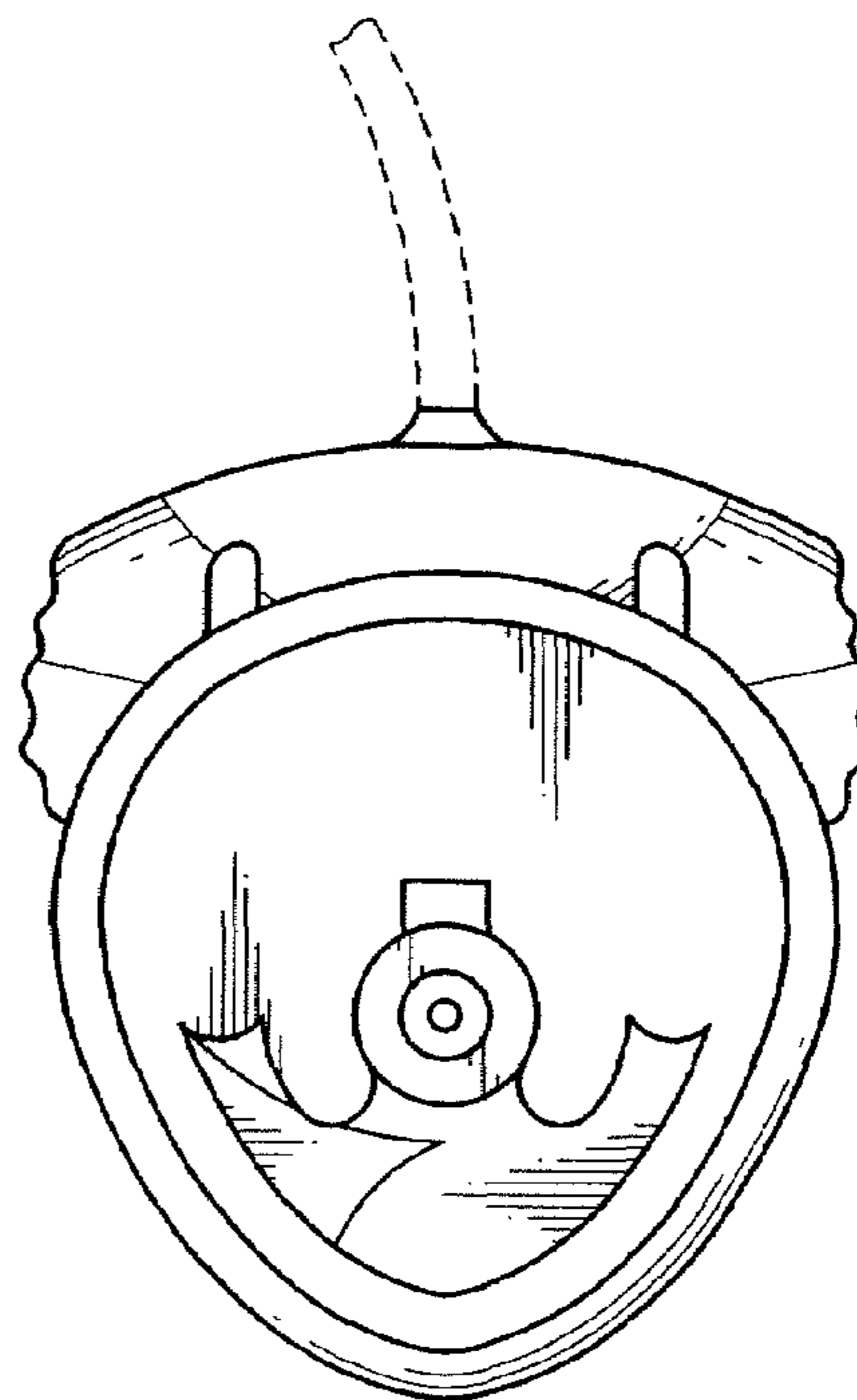


FIG. 5

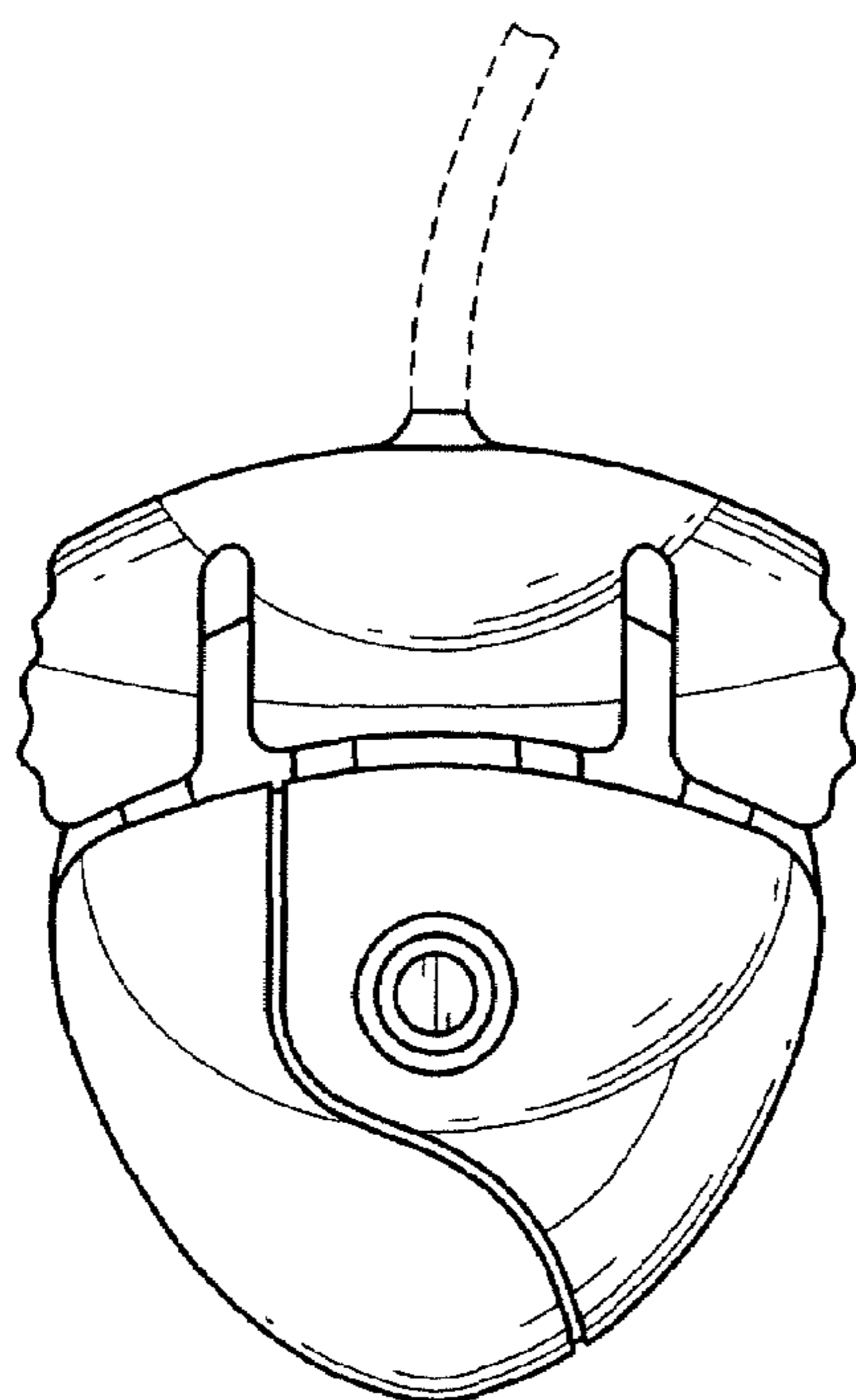


FIG. 6

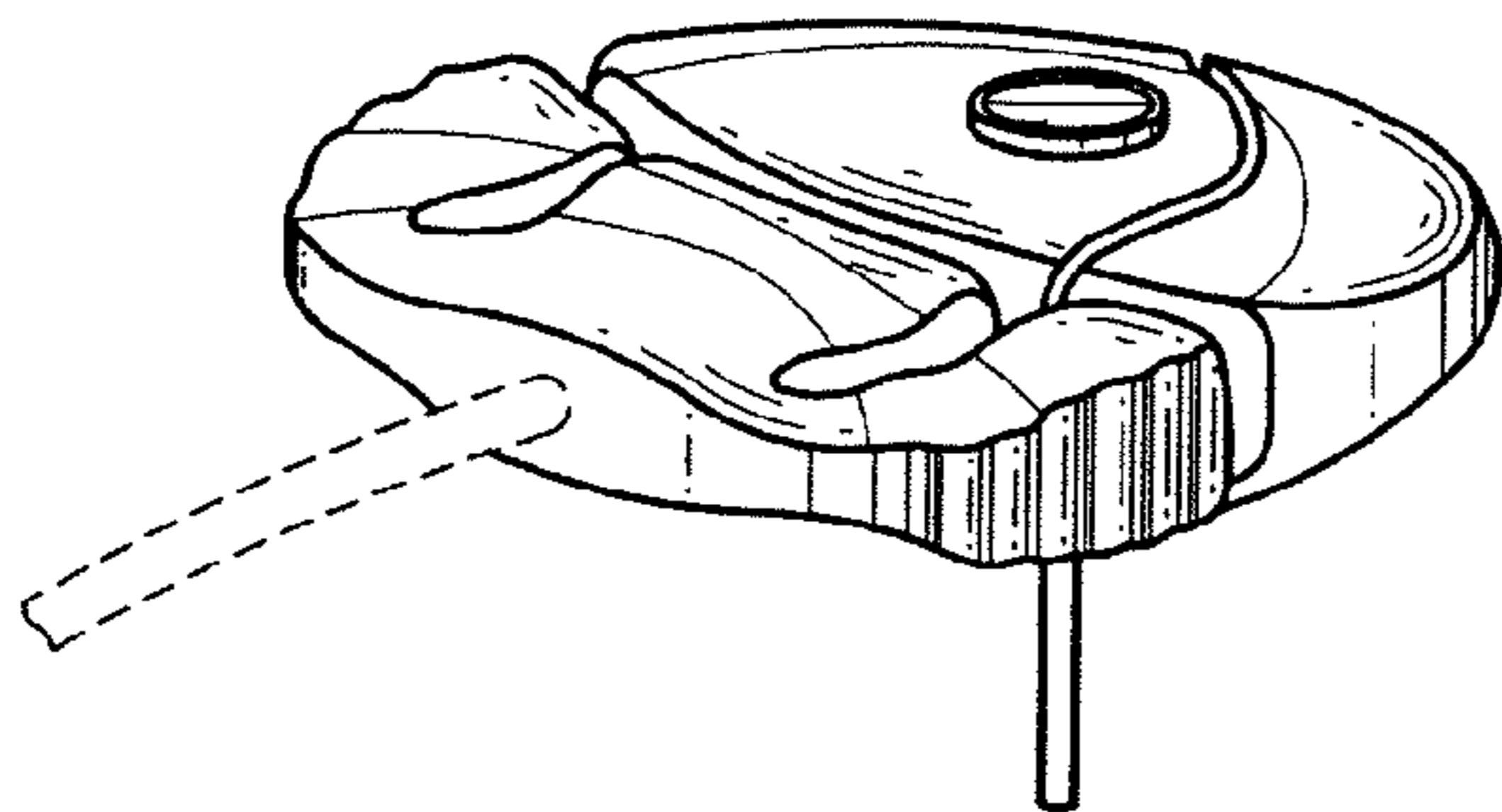
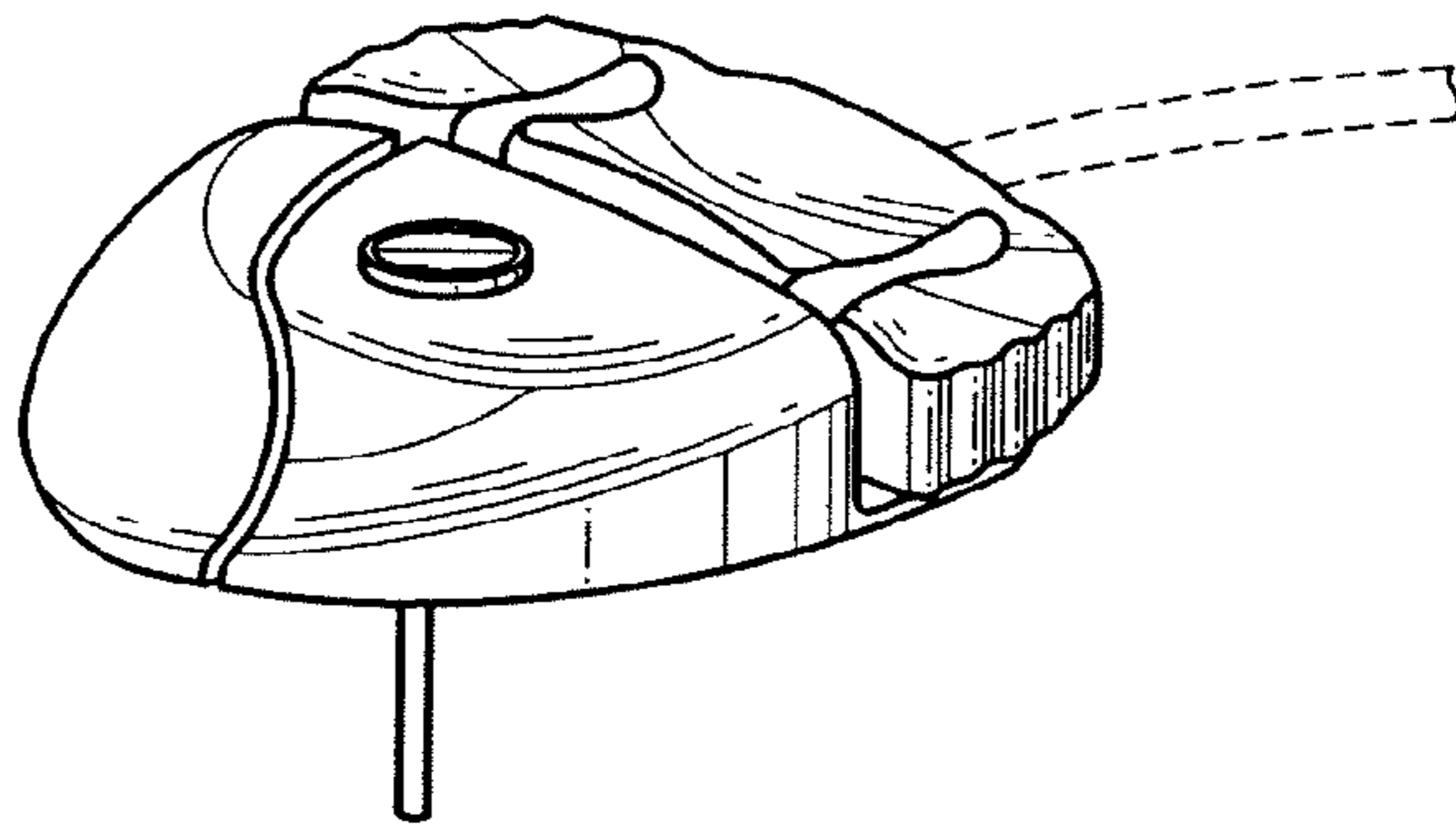


FIG. 7

FIG. 8

