



US00D576266S

(12) **United States Design Patent**  
**Yamakami**

(10) **Patent No.:** **US D576,266 S**

(45) **Date of Patent:** **\*\* Sep. 2, 2008**

(54) **BLOWER**

(75) Inventor: **Toshihiro Yamakami**, Kitasaku-gun (JP)

(73) Assignee: **Minebea Motor Manufacturing Corporation**, Tokyo (JP)

(\*\*) Term: **14 Years**

(21) Appl. No.: **29/294,187**

(22) Filed: **Dec. 27, 2007**

(30) **Foreign Application Priority Data**

Oct. 16, 2007 (JP) ..... 2007-028266

(51) **LOC (8) Cl.** ..... **23-04**

(52) **U.S. Cl.** ..... **D23/383**

(58) **Field of Classification Search** ..... D23/383,  
D23/370; 415/204, 206, 213.1, 214.1, 208.1  
See application file for complete search history.

(56) **References Cited**

**U.S. PATENT DOCUMENTS**

- 108,949 A \* 11/1870 Wheeler ..... 415/98
- D234,203 S \* 1/1975 Wrobel ..... D23/383
- 5,265,895 A \* 11/1993 Barrett ..... 280/47.24
- D539,408 S \* 3/2007 Wu et al. .... D23/370

\* cited by examiner

*Primary Examiner*—Lisa P Lichtenstein

(74) *Attorney, Agent, or Firm*—Oliff & Berridge, PLC

(57) **CLAIM**

The ornamental design for a blower, as shown and described.

**DESCRIPTION**

FIG. 1 is a perspective view of the front, bottom and right side of a blower showing my new design;

FIG. 2 is a front view thereof;

FIG. 3 is a rear view thereof;

FIG. 4 is a top plan view thereof;

FIG. 5 is a bottom view thereof;

FIG. 6 is a right side view thereof;

FIG. 7 is a left side view thereof;

FIG. 8 is a perspective view of the top, rear and right side thereof; and,

FIG. 9 is a perspective view of the usage thereof.

The broken line showing of portions of the blower is included for the purpose of illustrating environmental structure and forms no part of the claimed design.

**1 Claim, 7 Drawing Sheets**

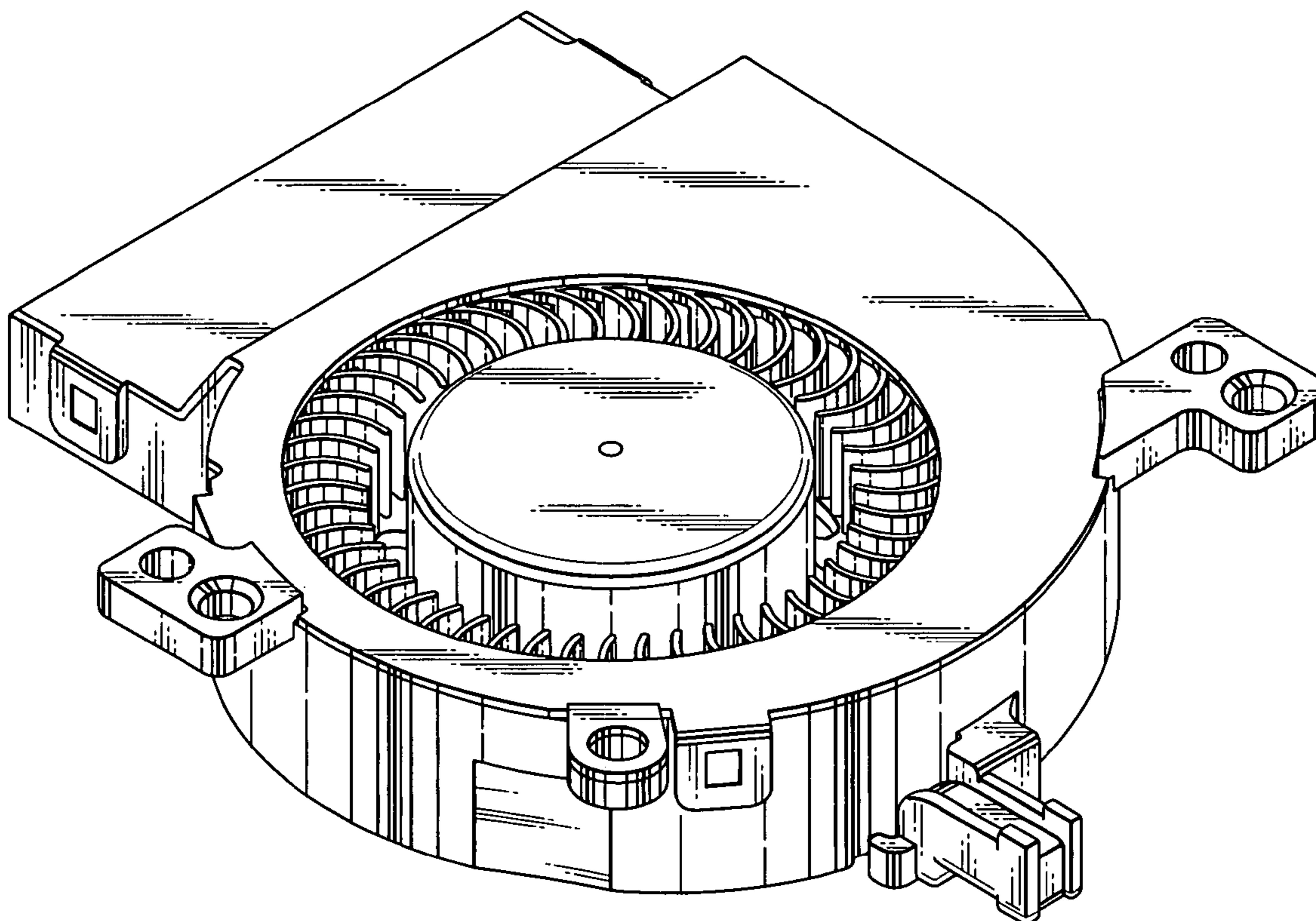


FIG.1

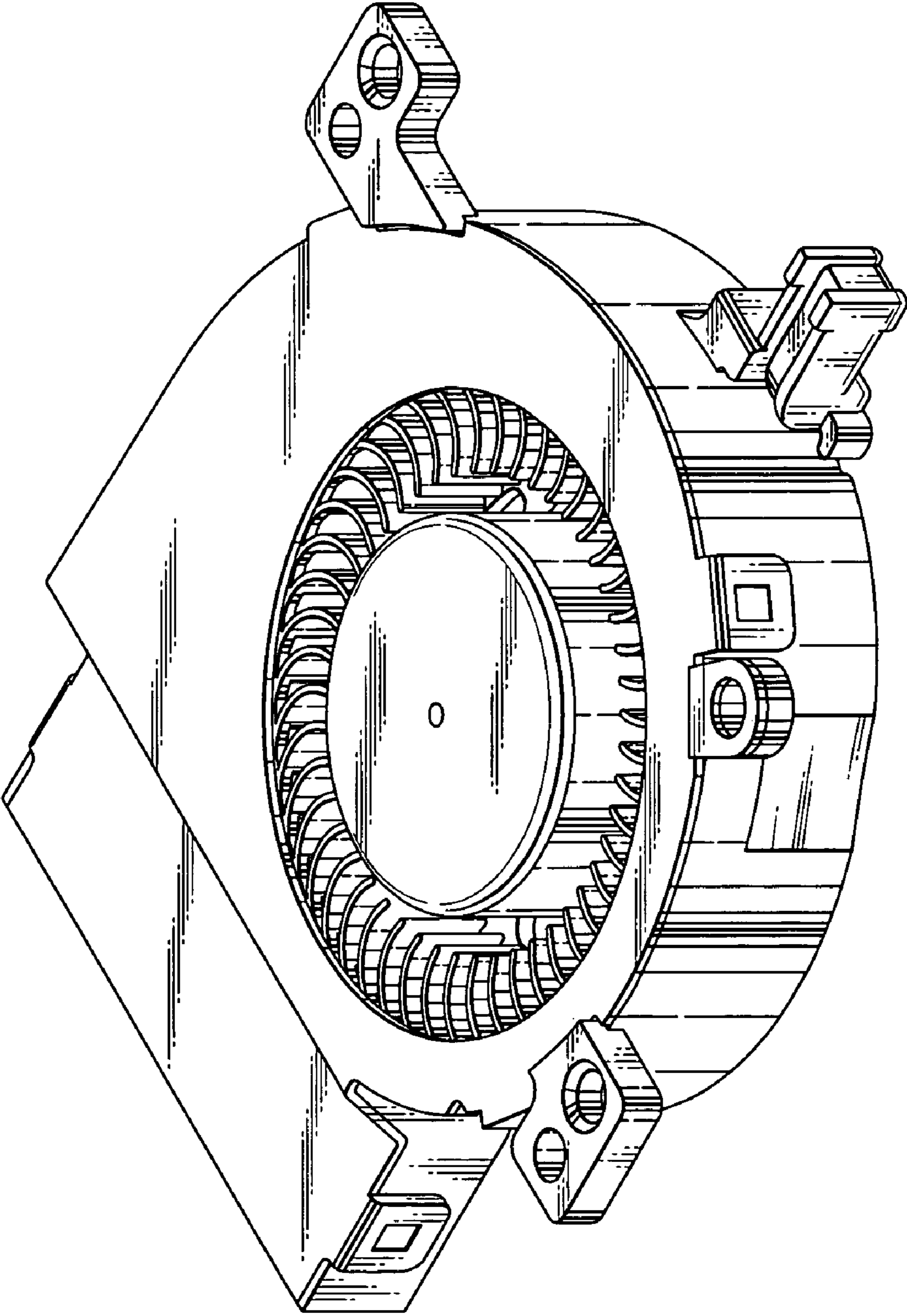


FIG.2

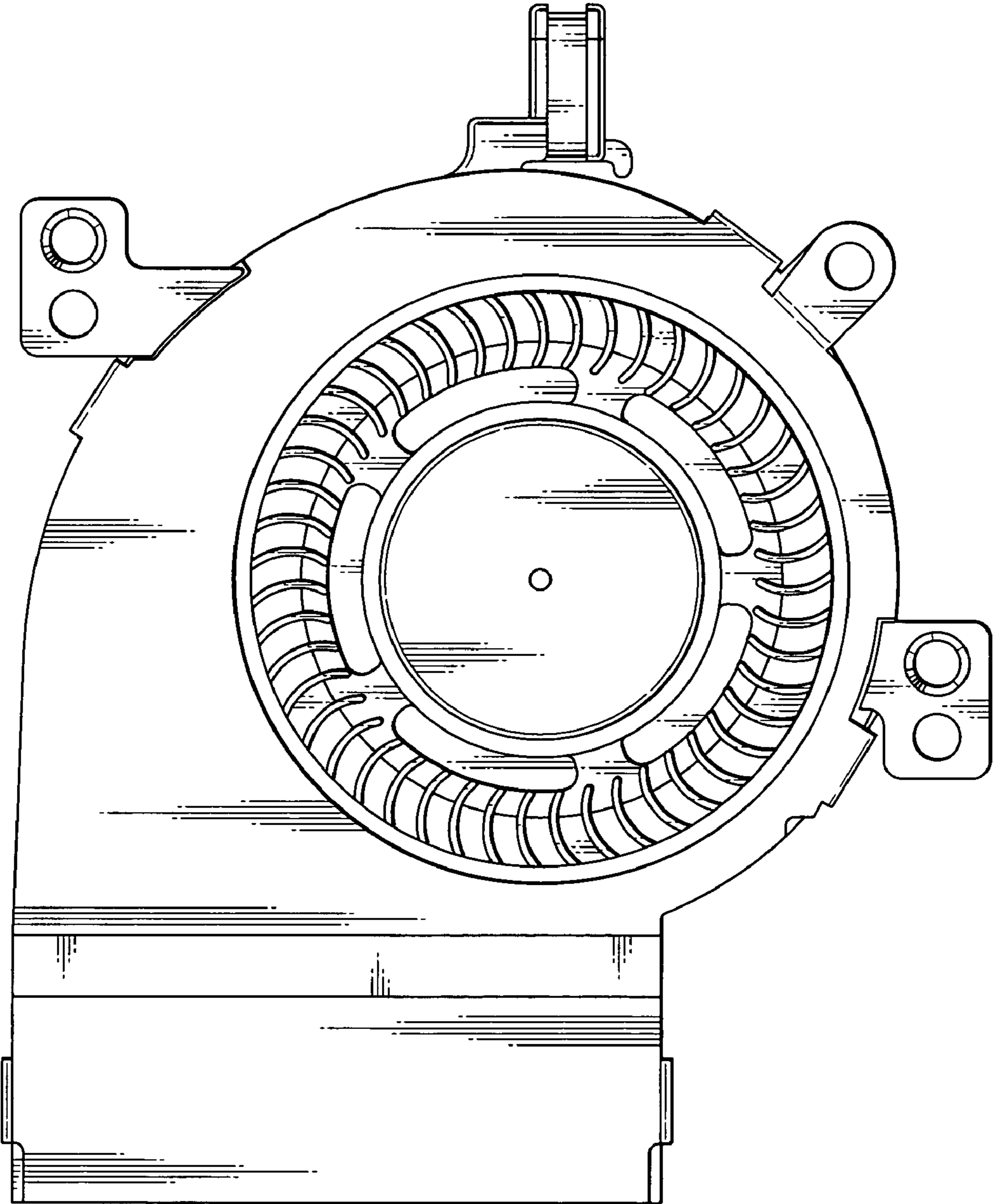


FIG.3

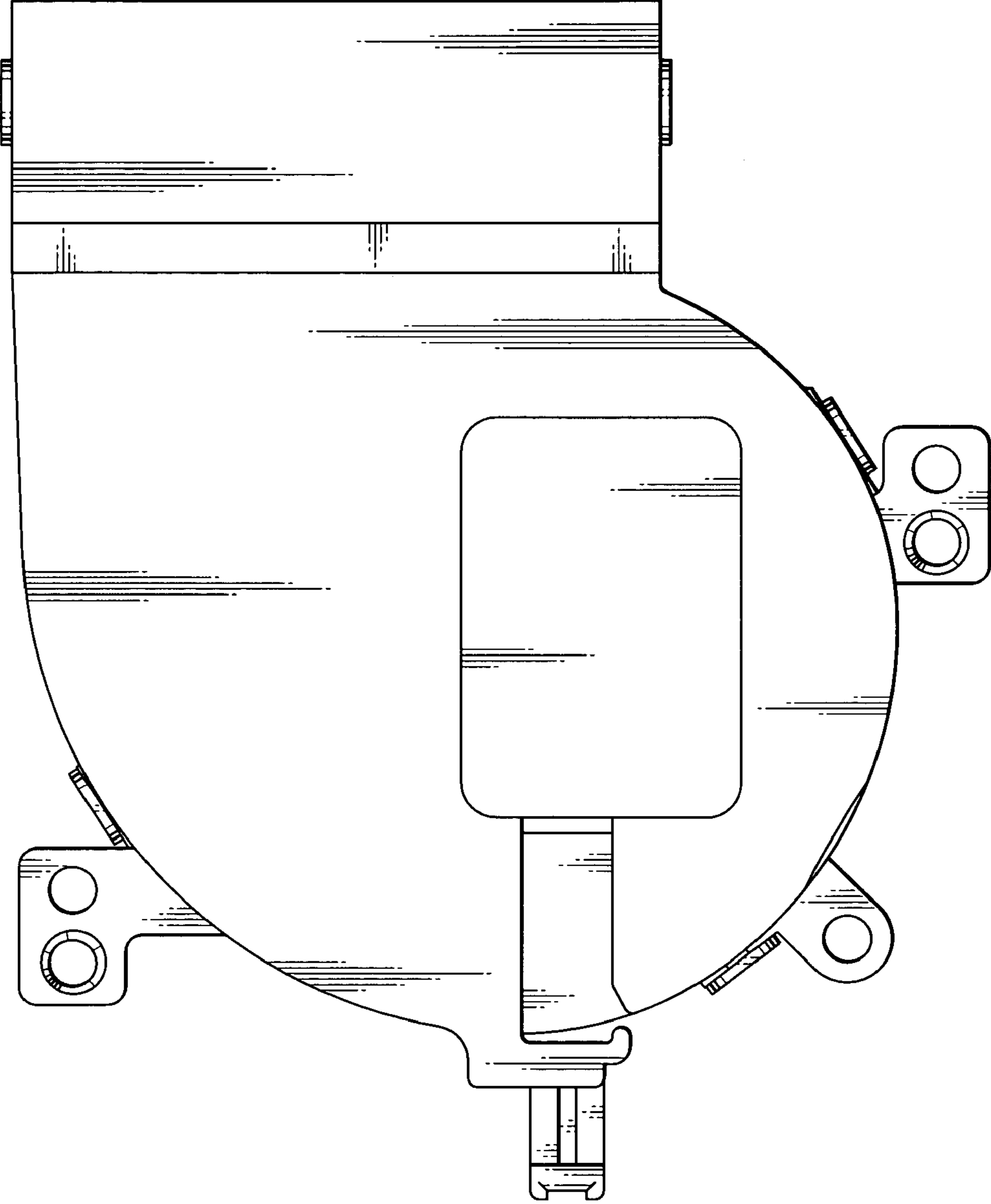


FIG.4

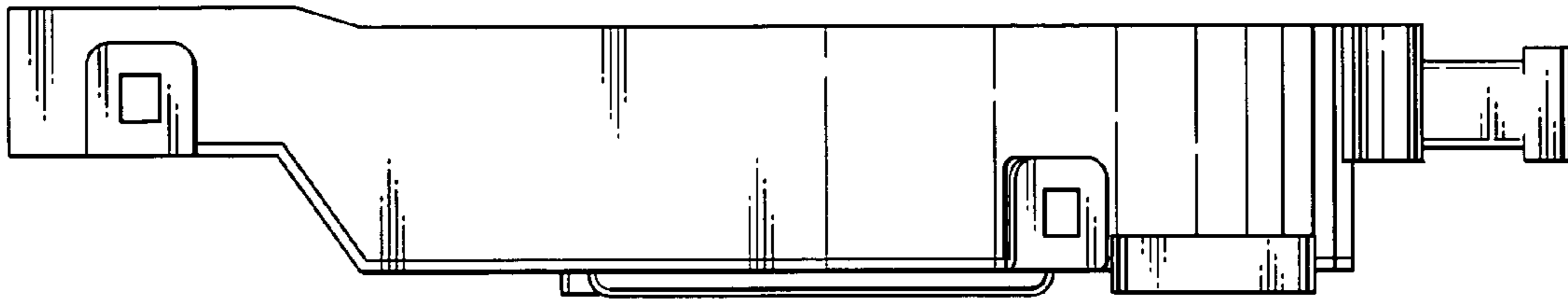


FIG.5

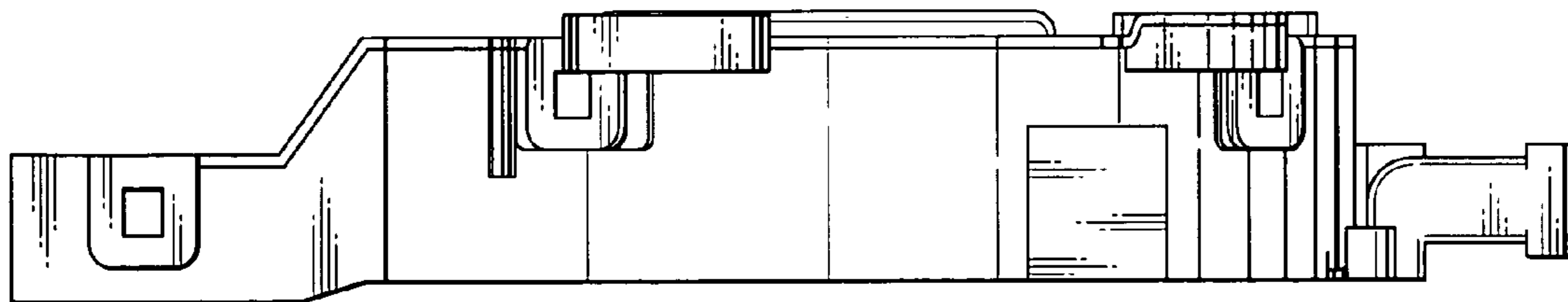


FIG.7

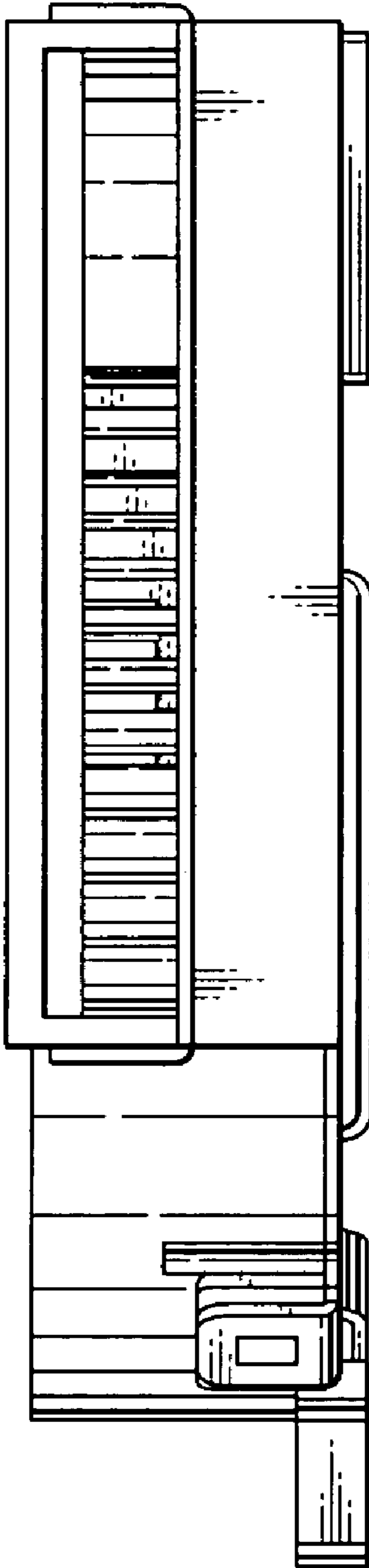


FIG.6

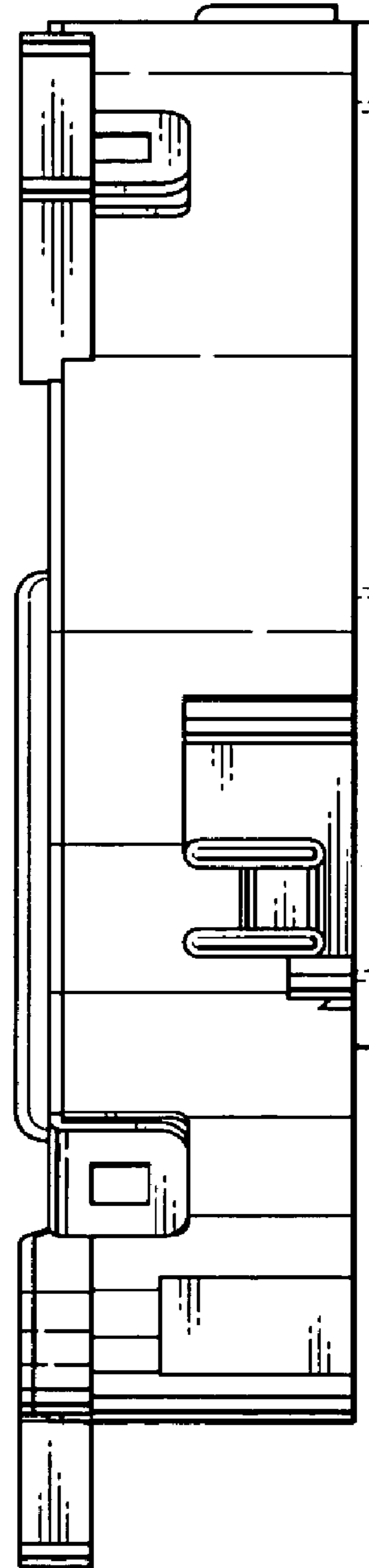




FIG.8

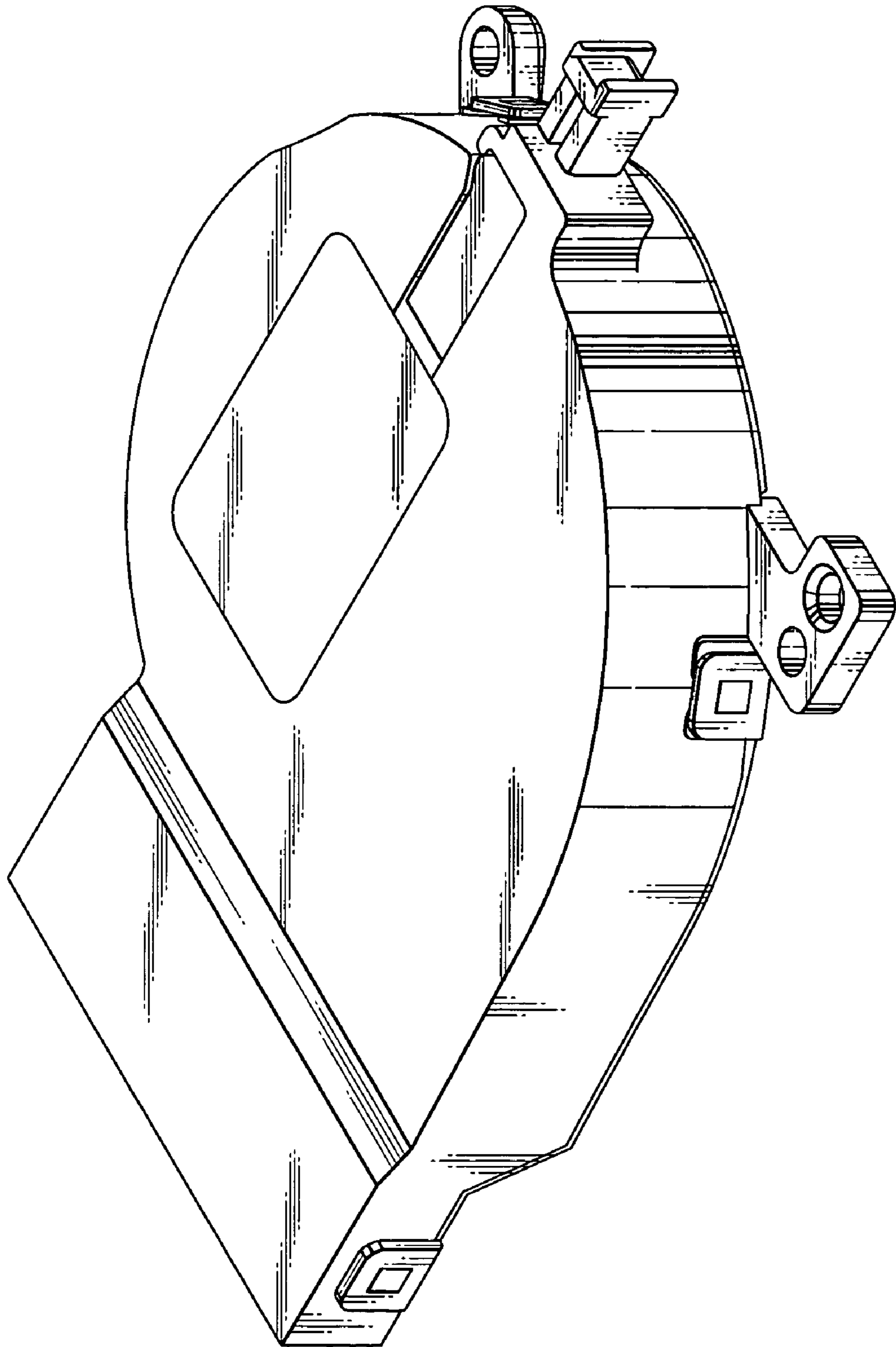


FIG.9

