



US00D576265S

(12) **United States Design Patent**  
**Bucher et al.**

(10) **Patent No.:** **US D576,265 S**  
(45) **Date of Patent:** **\*\* Sep. 2, 2008**

(54) **COMBINED CEILING FAN AND LIGHT**

(75) Inventors: **John C. Bucher**, Hillsboro Beach, FL  
(US); **Tien S. Lowe**, Pembroke Pines, FL  
(US); **Scott Searle**, Wan Chai (HK)

(73) Assignee: **King of Fans, Inc.**, Fort Lauderdale, FL  
(US)

(\*\*) Term: **14 Years**

(21) Appl. No.: **29/264,571**

(22) Filed: **Aug. 11, 2006**

**Related U.S. Application Data**

(62) Division of application No. 29/226,271, filed on Mar. 25, 2005, now Pat. No. Des. 553,731.

(51) **LOC (8) Cl.** ..... **23-04**

(52) **U.S. Cl.** ..... **D23/377; D26/59**

(58) **Field of Classification Search** ..... D23/377,  
D23/379, 385, 411, 413; 416/5; D26/59  
See application file for complete search history.

(56) **References Cited**

**U.S. PATENT DOCUMENTS**

|            |         |                   |       |         |
|------------|---------|-------------------|-------|---------|
| D364,224 S | 11/1995 | Wang              | ..... | D23/377 |
| D371,838 S | 7/1996  | Davis, Jr. et al. | ..... | D23/411 |
| D378,404 S | 3/1997  | Jaspers-Fayer     | ..... | D23/377 |
| D402,026 S | 12/1998 | Chuang et al.     | ..... | D23/377 |
| D408,518 S | 4/1999  | Liu               | ..... | D23/377 |
| D412,571 S | 8/1999  | Lee               | ..... | D23/377 |
| D414,856 S | 10/1999 | Zuege             | ..... | D23/377 |
| D421,799 S | 3/2000  | Zuege             | ..... | D23/411 |
| D422,072 S | 3/2000  | Blateri           | ..... | D23/377 |
| D443,352 S | 6/2001  | Lantz             | ..... | D23/413 |
| D451,997 S | 12/2001 | Schwartz          | ..... | D23/413 |

|            |           |                |       |         |
|------------|-----------|----------------|-------|---------|
| D454,636 S | 3/2002    | Lantz          | ..... | D23/413 |
| D469,950 S | 2/2003    | Scalise et al. | ..... | D3/3    |
| D480,471 S | 10/2003   | Hsieh          | ..... | D23/411 |
| D484,233 S | 12/2003   | Bucher et al.  | ..... | D23/377 |
| D485,345 S | 1/2004    | Bucher         | ..... | D23/377 |
| D485,346 S | 1/2004    | Bucher et al.  | ..... | D23/377 |
| D485,347 S | 1/2004    | Bucher et al.  | ..... | D23/377 |
| D553,731 S | * 10/2007 | Bucher et al.  | ..... | D23/411 |

\* cited by examiner

*Primary Examiner*—Lisa P Lichtenstein

(74) *Attorney, Agent, or Firm*—Brian S. Steinberger; Law Offices of Brian S. Steinberger, P.A.

(57) **CLAIM**

The ornamental design for a combined ceiling fan and light, as shown and described.

**DESCRIPTION**

FIG. 1 is a lower front side perspective view of a combined ceiling fan and light.

FIG. 2 is an upper front side perspective view of the design of FIG. 1.

FIG. 3 is front side view of the design of FIG. 1.

FIG. 4 is a right side view of the design of FIG. 1.

FIG. 5 is a left side view of the design of FIG. 1.

FIG. 6 is a rear side view of the design of FIG. 1.

FIG. 7 is a bottom view of the design of FIG. 1; and,

FIG. 8 is a top view of the design of FIG. 1.

The broken line showing of the support rod and ceiling canopy is included for the purpose of illustrating environmental structure and forms no part of the claimed design.

**1 Claim, 8 Drawing Sheets**

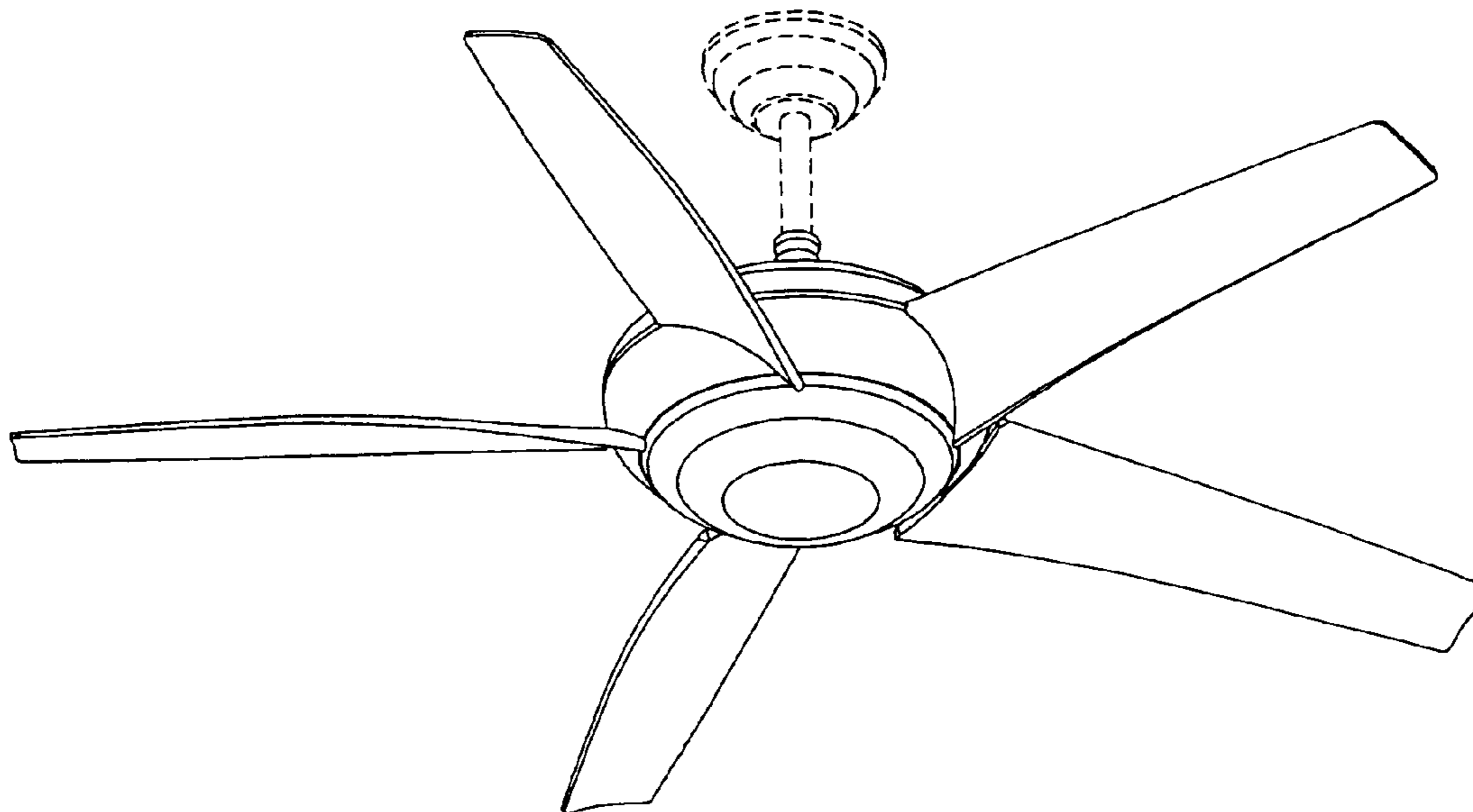


Fig. 1

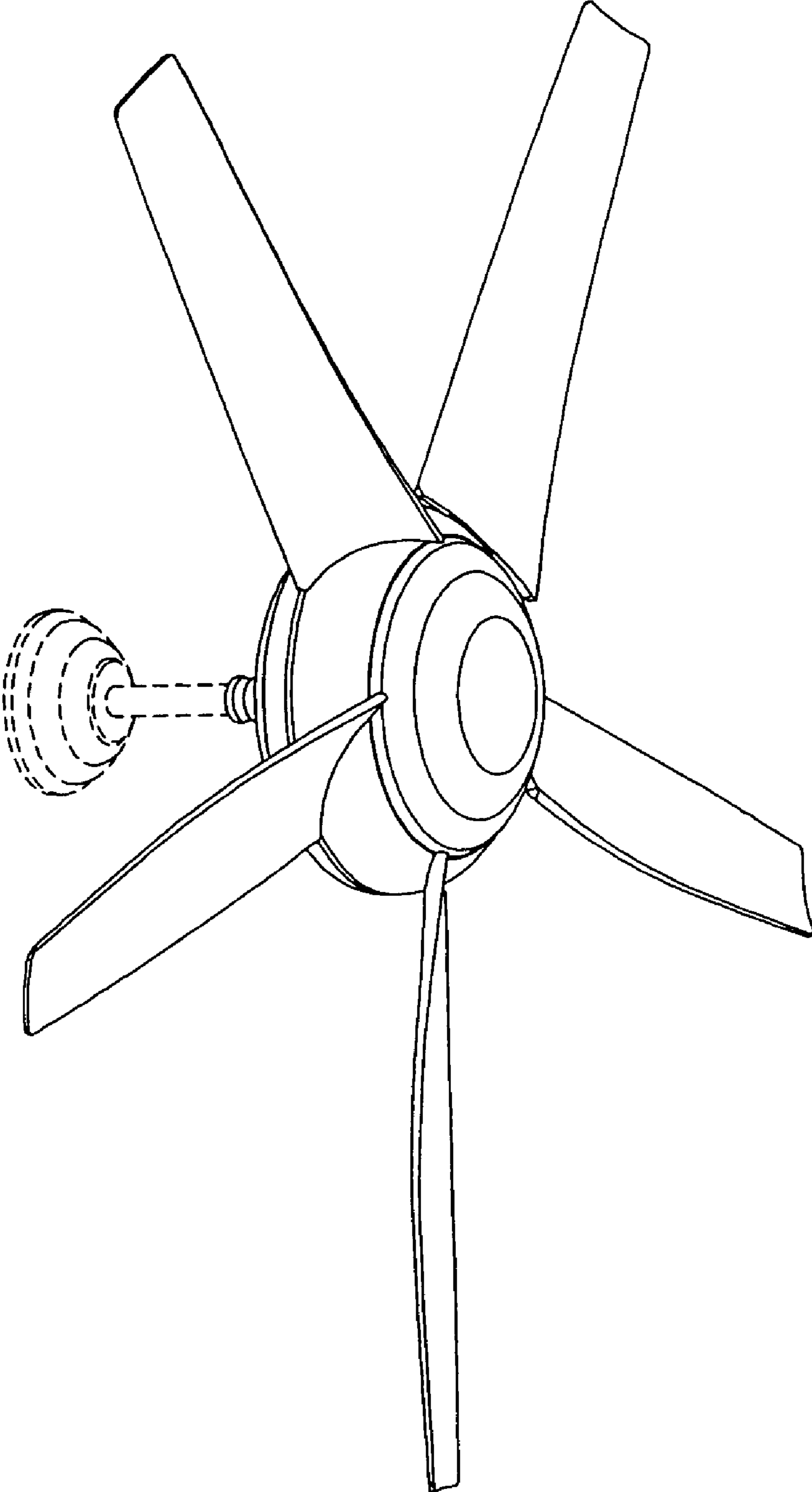


Fig. 2

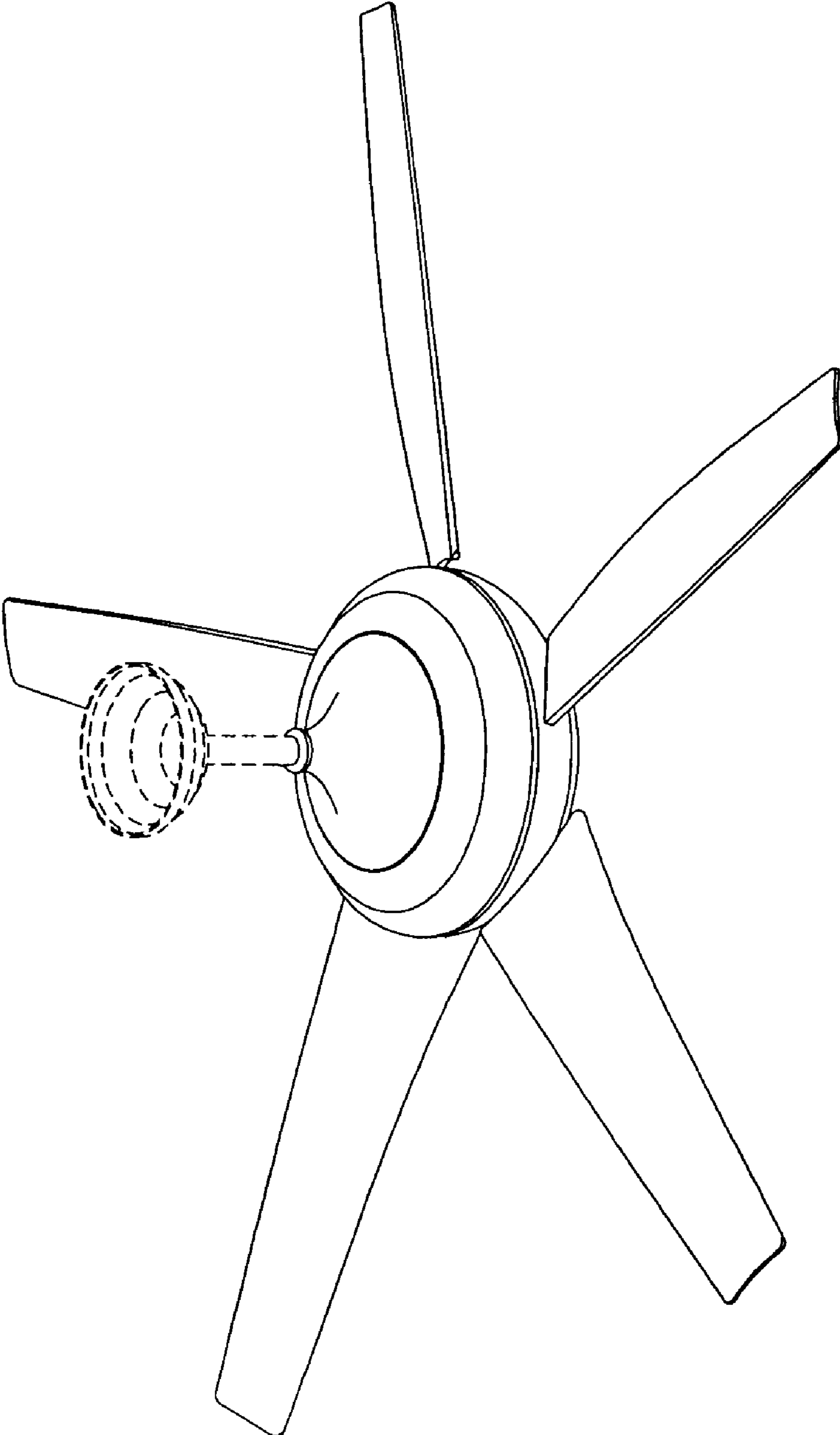


Fig. 3

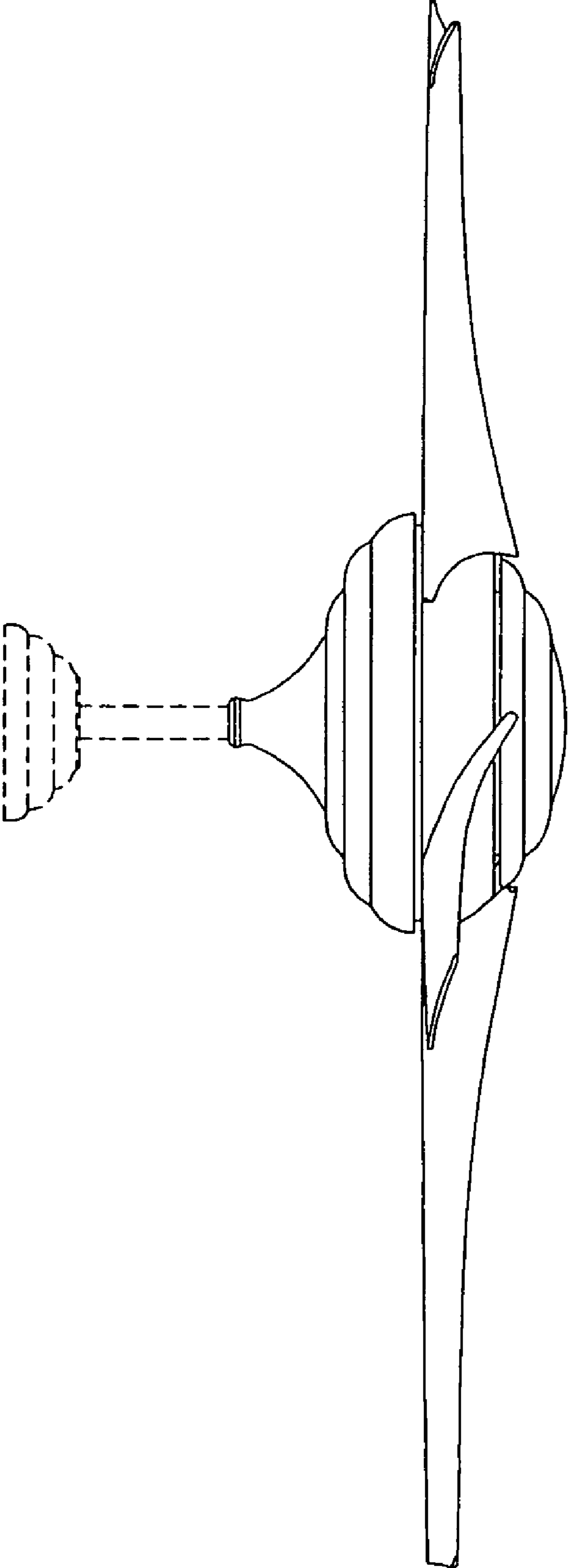


Fig. 4

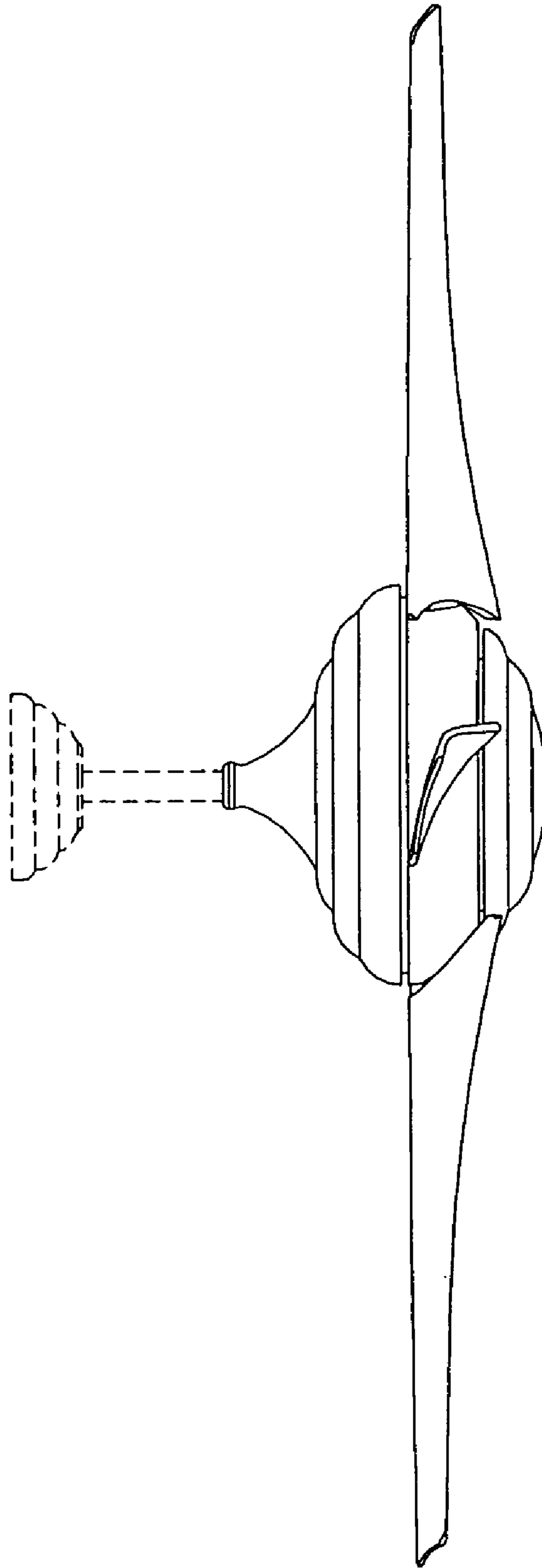


Fig. 5

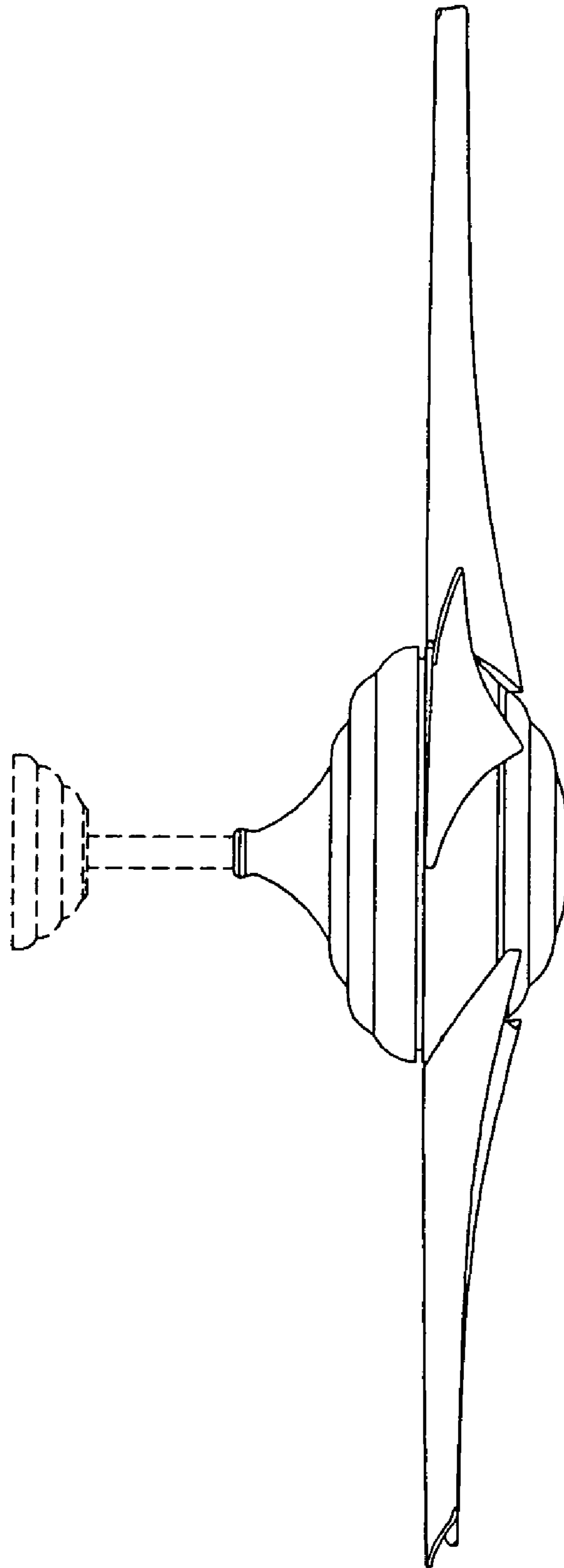


Fig. 6

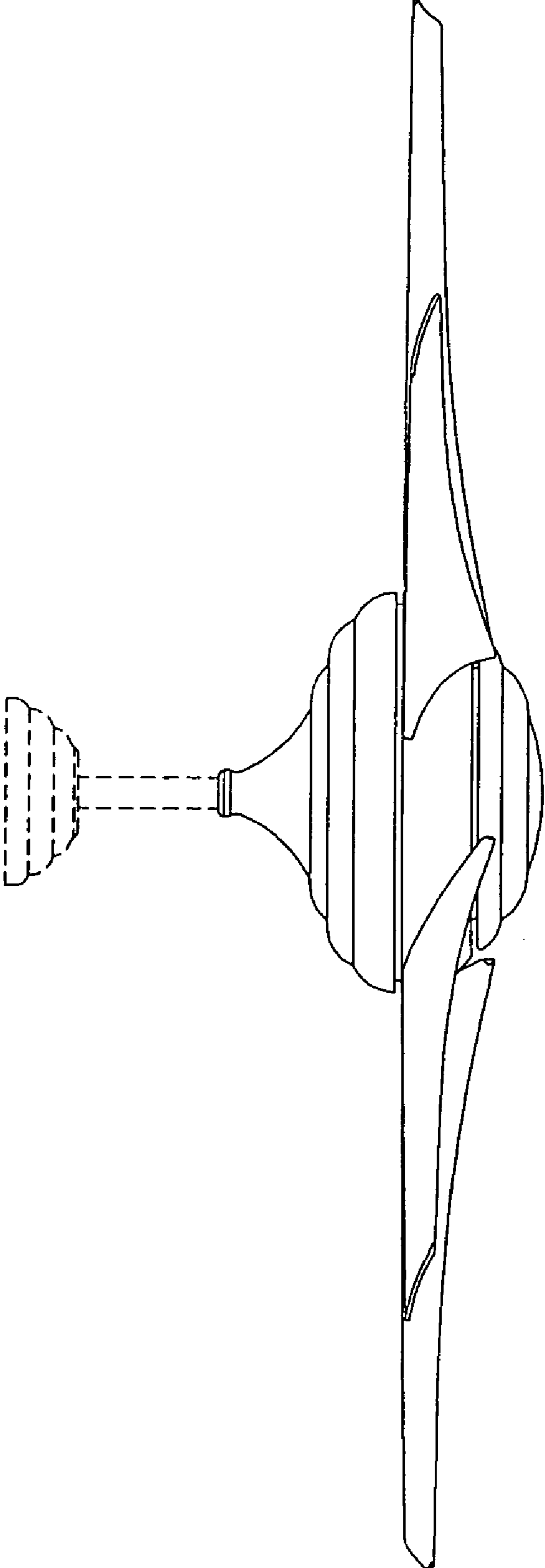


Fig. 7

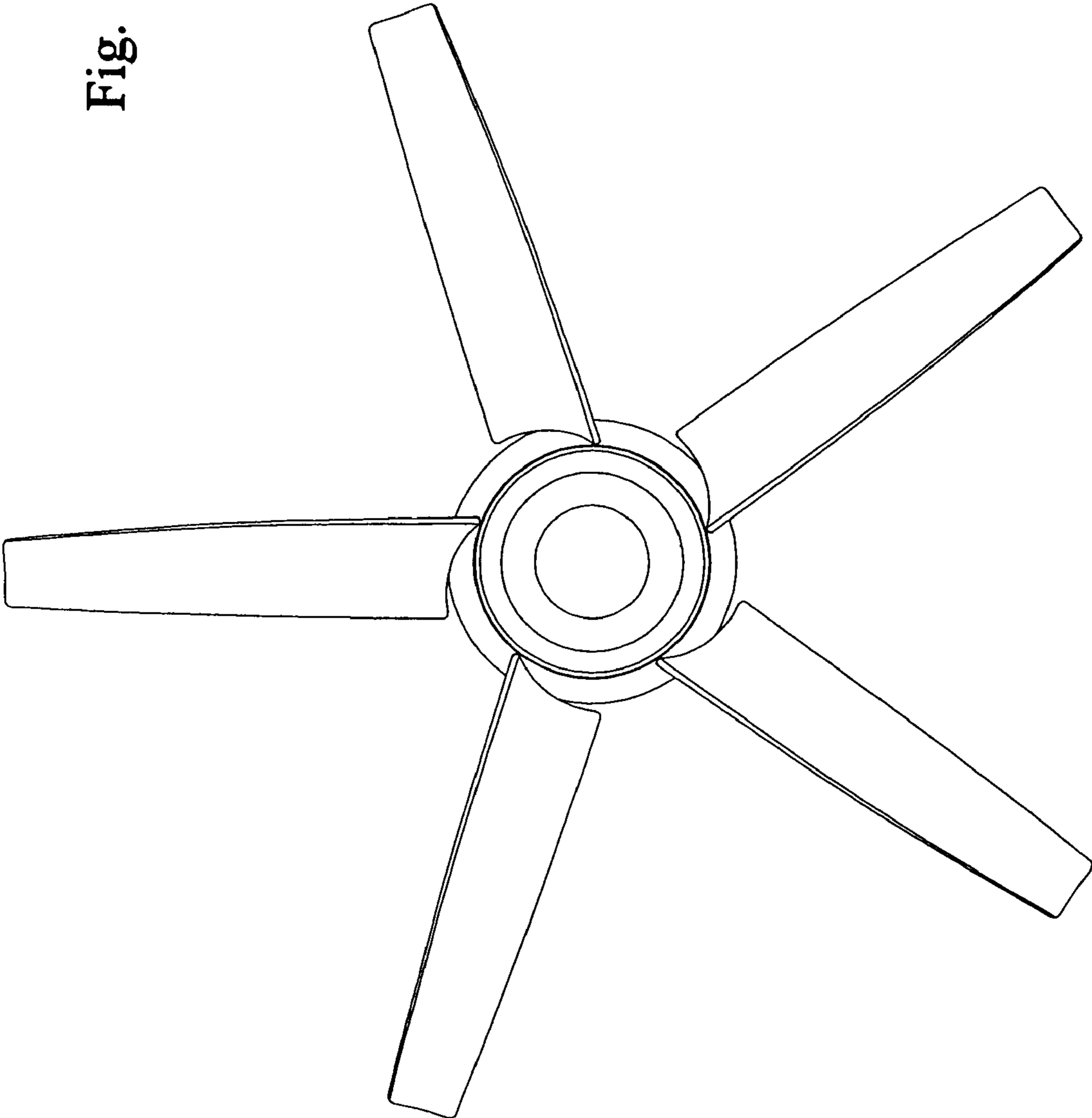




Fig. 8

