



US00D576264S

(12) **United States Design Patent**  
**Grobleben**

(10) **Patent No.:** **US D576,264 S**

(45) **Date of Patent:** **\*\* Sep. 2, 2008**

(54) **EXHAUST HOOD**

(75) Inventor: **Ralf Grobleben**, Bretten (DE)

(73) Assignee: **BSH Bosch und Siemens Hausgeraete GmbH**, Munich (DE)

(\*\*) Term: **14 Years**

(21) Appl. No.: **29/291,909**

(22) Filed: **Sep. 19, 2007**

(30) **Foreign Application Priority Data**

Apr. 20, 2007 (EM) ..... 000720727

(51) **LOC (8) Cl.** ..... **23-04**

(52) **U.S. Cl.** ..... **D23/372**

(58) **Field of Classification Search** ..... D23/372,  
D23/371, 370; D7/406; 126/299 D, 299 R  
See application file for complete search history.

(56) **References Cited**

**U.S. PATENT DOCUMENTS**

D489,805 S \* 5/2004 Vetter ..... D23/371

D535,009 S \* 1/2007 Sinur et al. .... D23/372

D557,397 S \* 12/2007 Sinur et al. .... D23/372

*Primary Examiner*—Lisa P Lichtenstein

(74) *Attorney, Agent, or Firm*—Russell W. Warnock; James E. Howard

(57) **CLAIM**

The ornamental design for an exhaust hood, as shown and described.

**DESCRIPTION**

FIG. 1 is a perspective view of an exhaust hood showing my ornamental design;

FIG. 2 is another perspective view of the exhaust hood embodiment shown in FIG. 1;

FIG. 3 is a front plan view of the exhaust hood embodiment shown in FIG. 1;

FIG. 4 is a reduced rear plan view of the exhaust hood embodiment shown in FIG. 1;

FIG. 5 is a left view of the exhaust hood embodiment shown in FIG. 1;

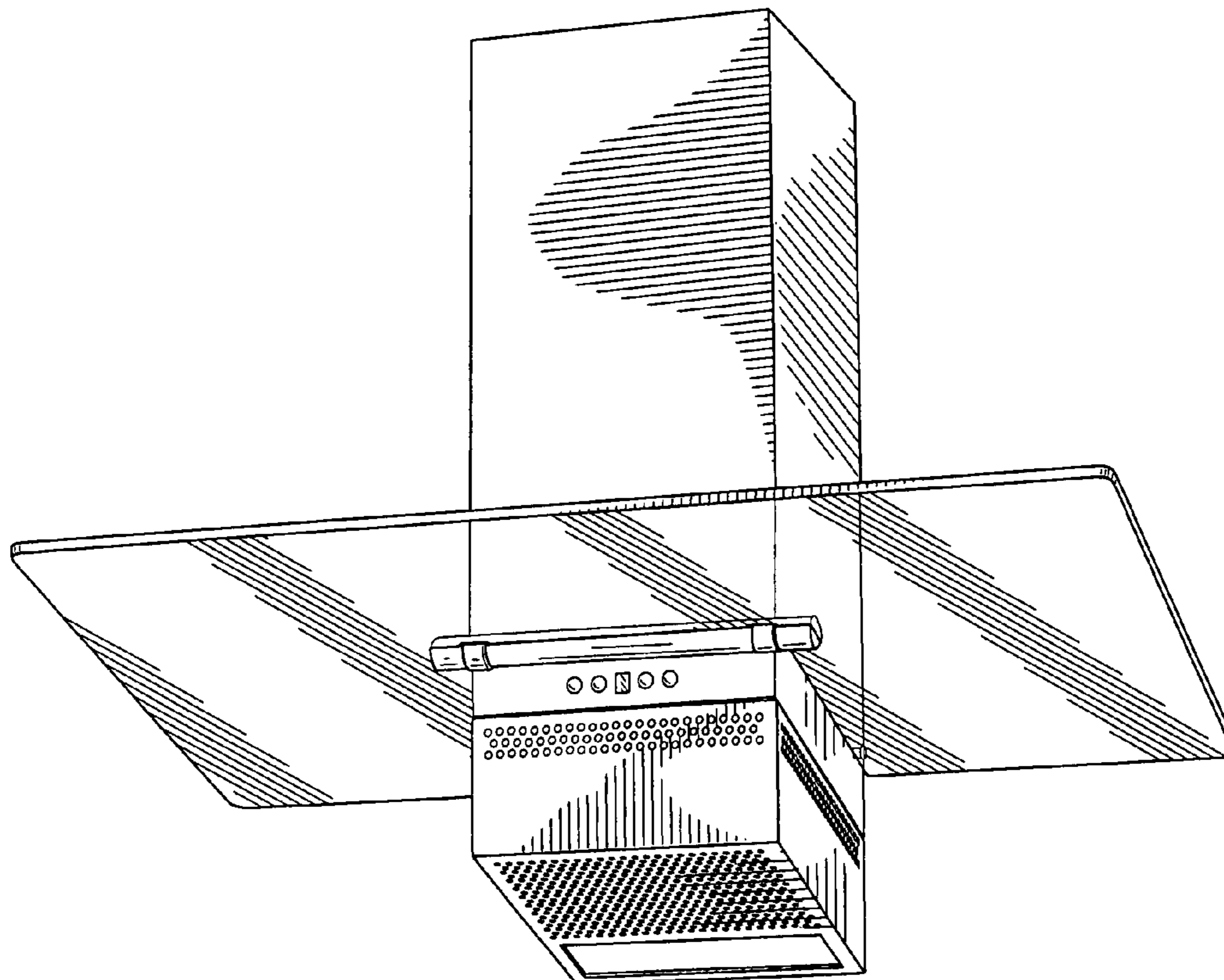
FIG. 6 is a right view of the exhaust hood embodiment shown in FIG. 1;

FIG. 7 is a reduced top view of the exhaust hood embodiment shown in FIG. 1; and,

FIG. 8 is a reduced bottom view of the exhaust hood embodiment shown in FIG. 1.

\* cited by examiner

**1 Claim, 8 Drawing Sheets**



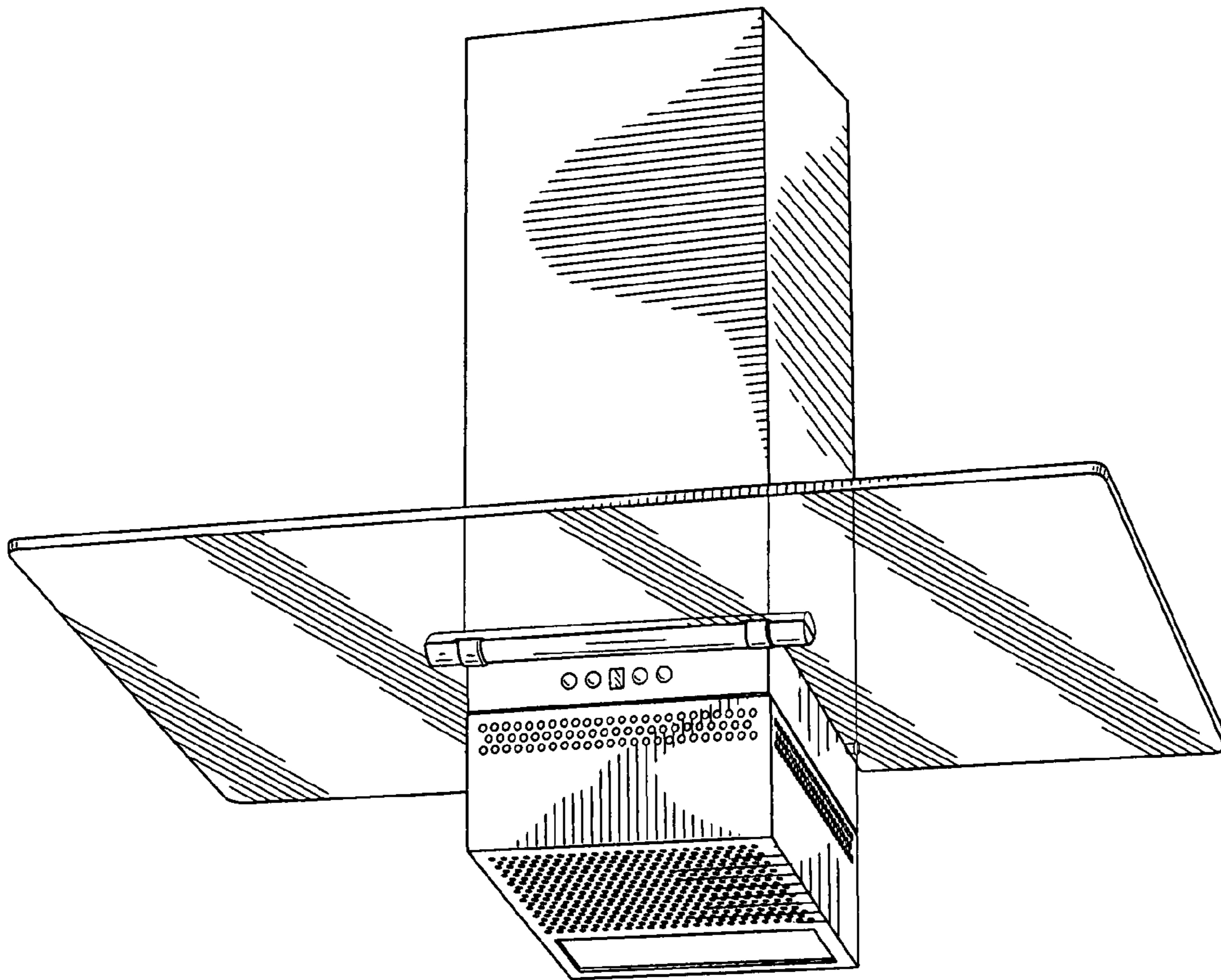


FIG. 1

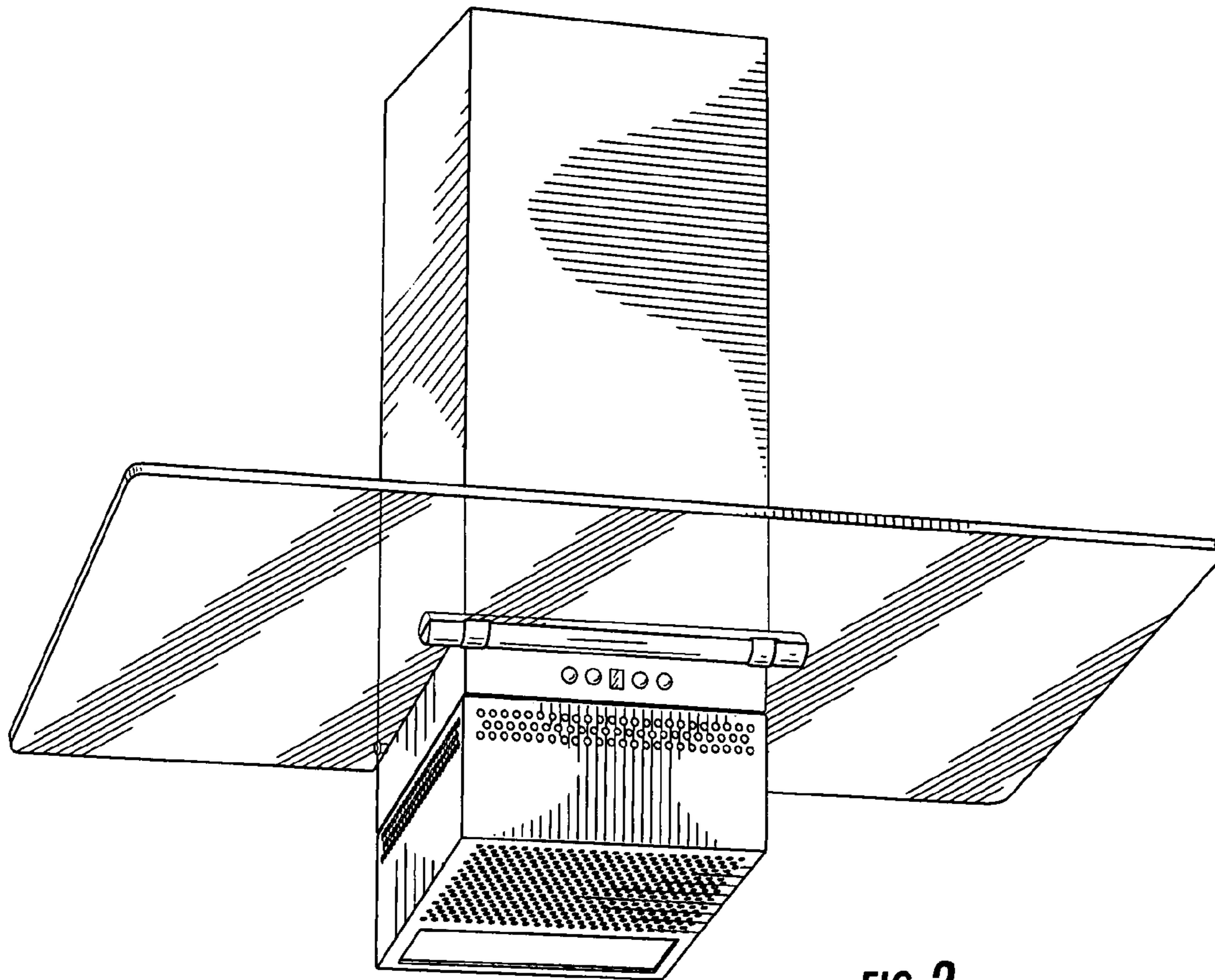


FIG. 2

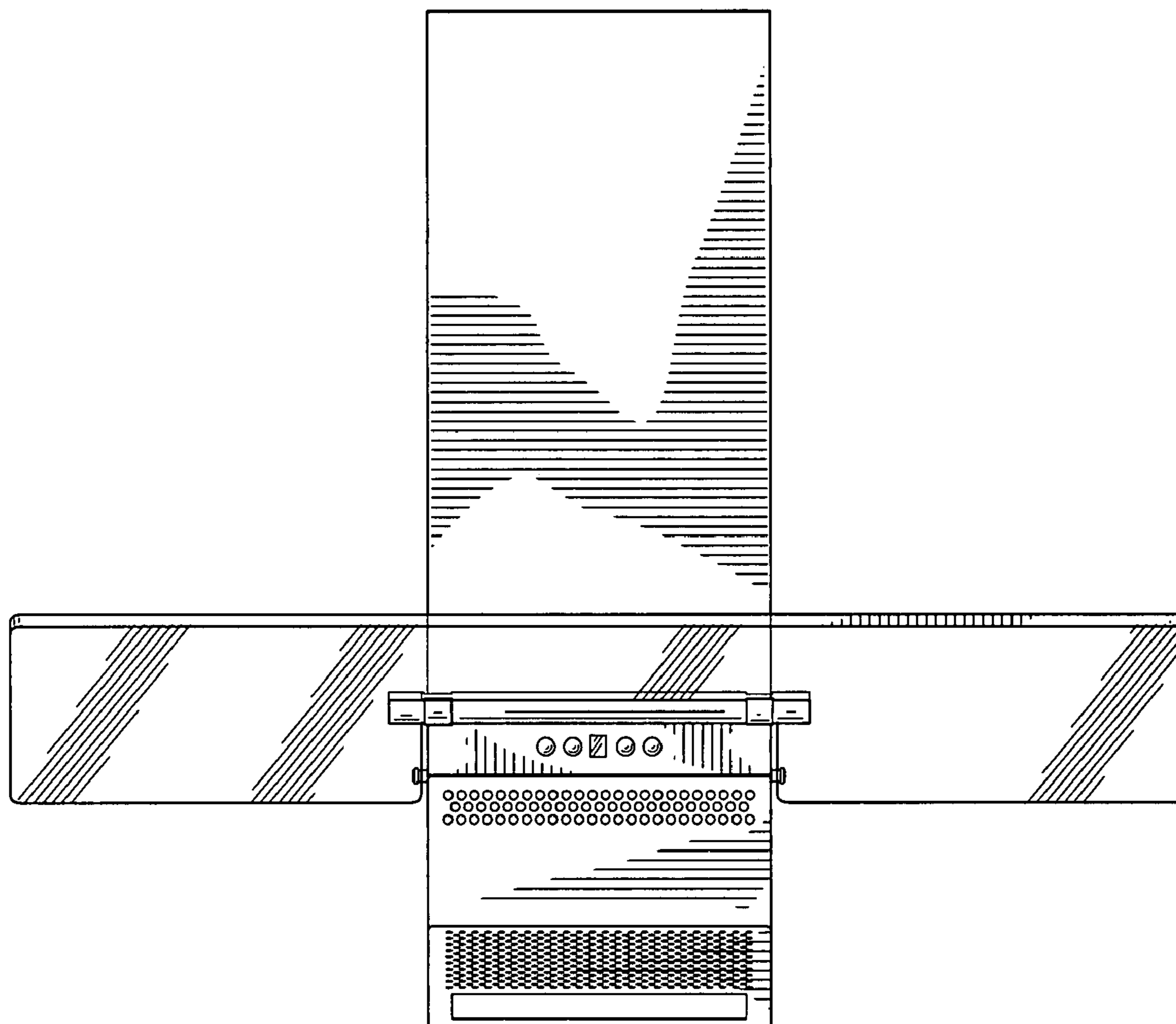


FIG. 3

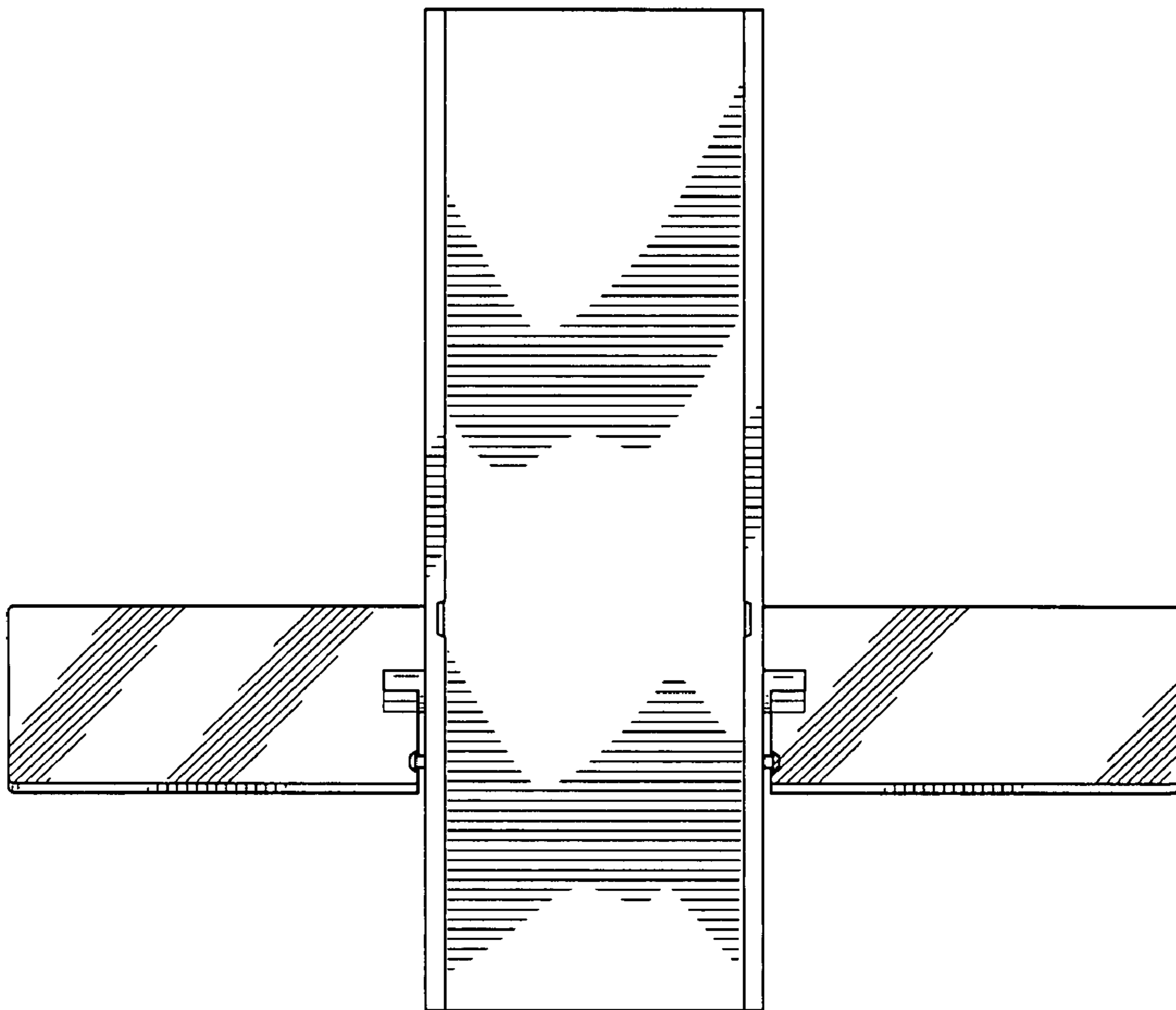
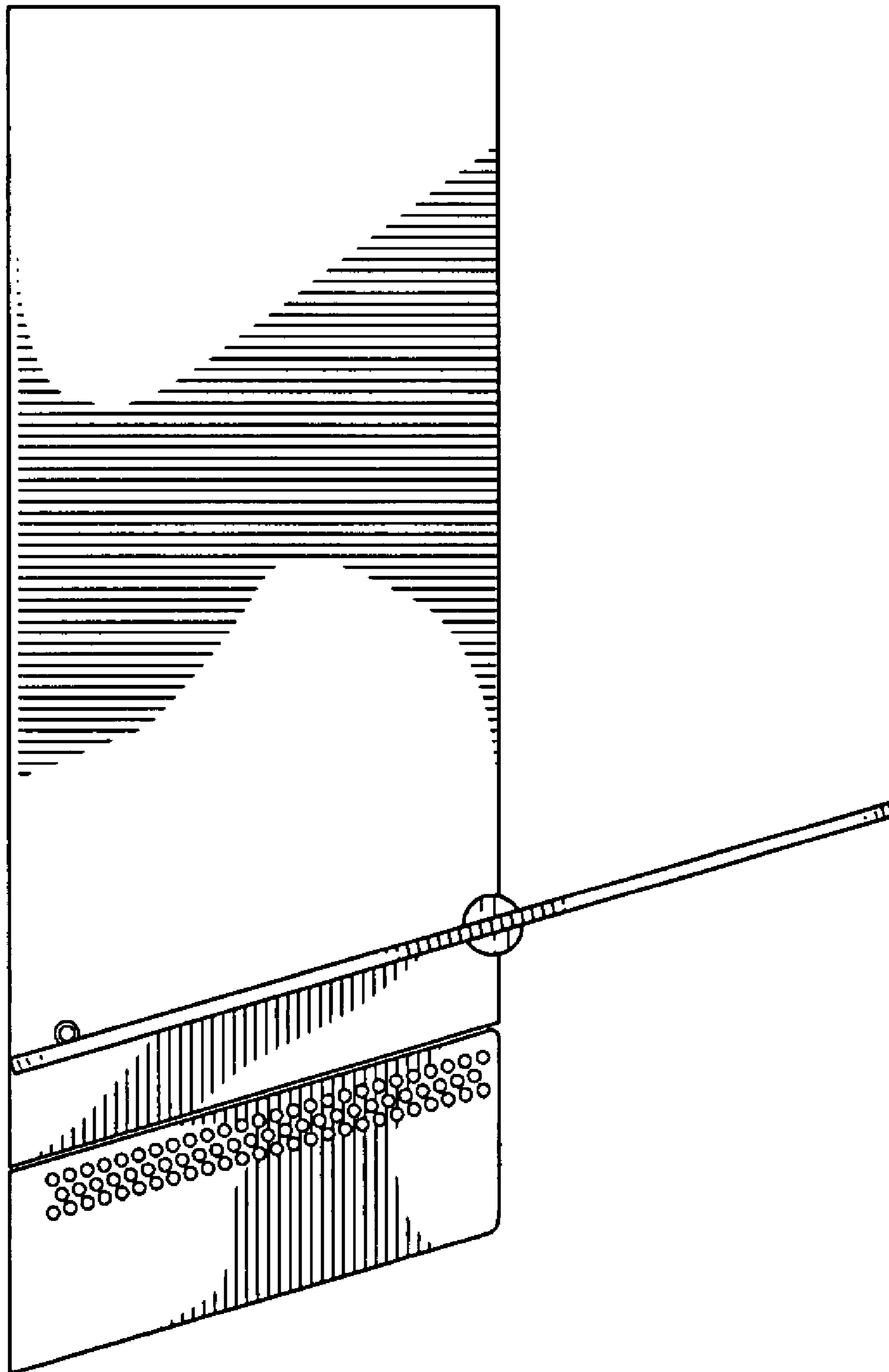
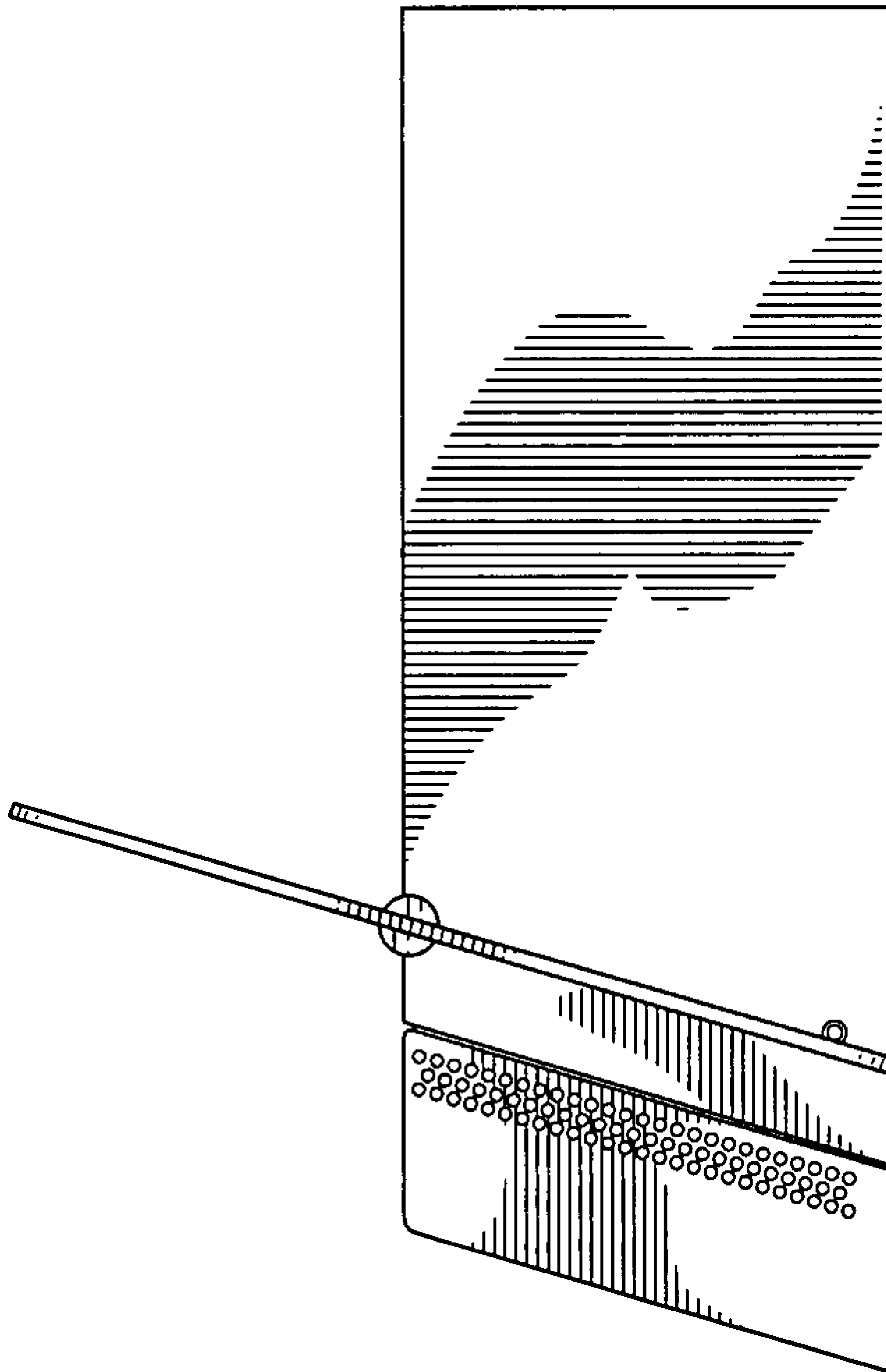


FIG. 4



**FIG. 5**



**FIG. 6**

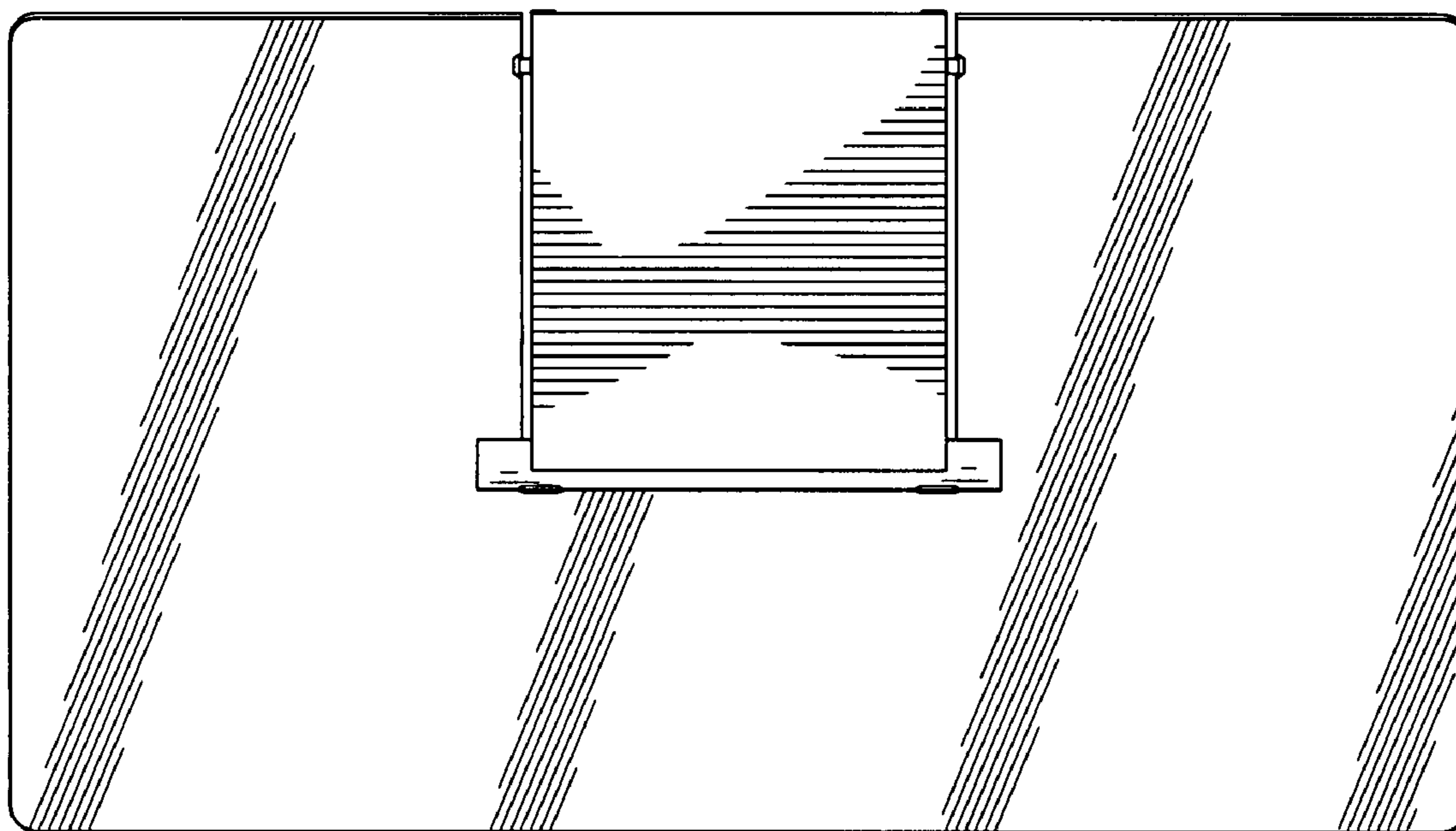
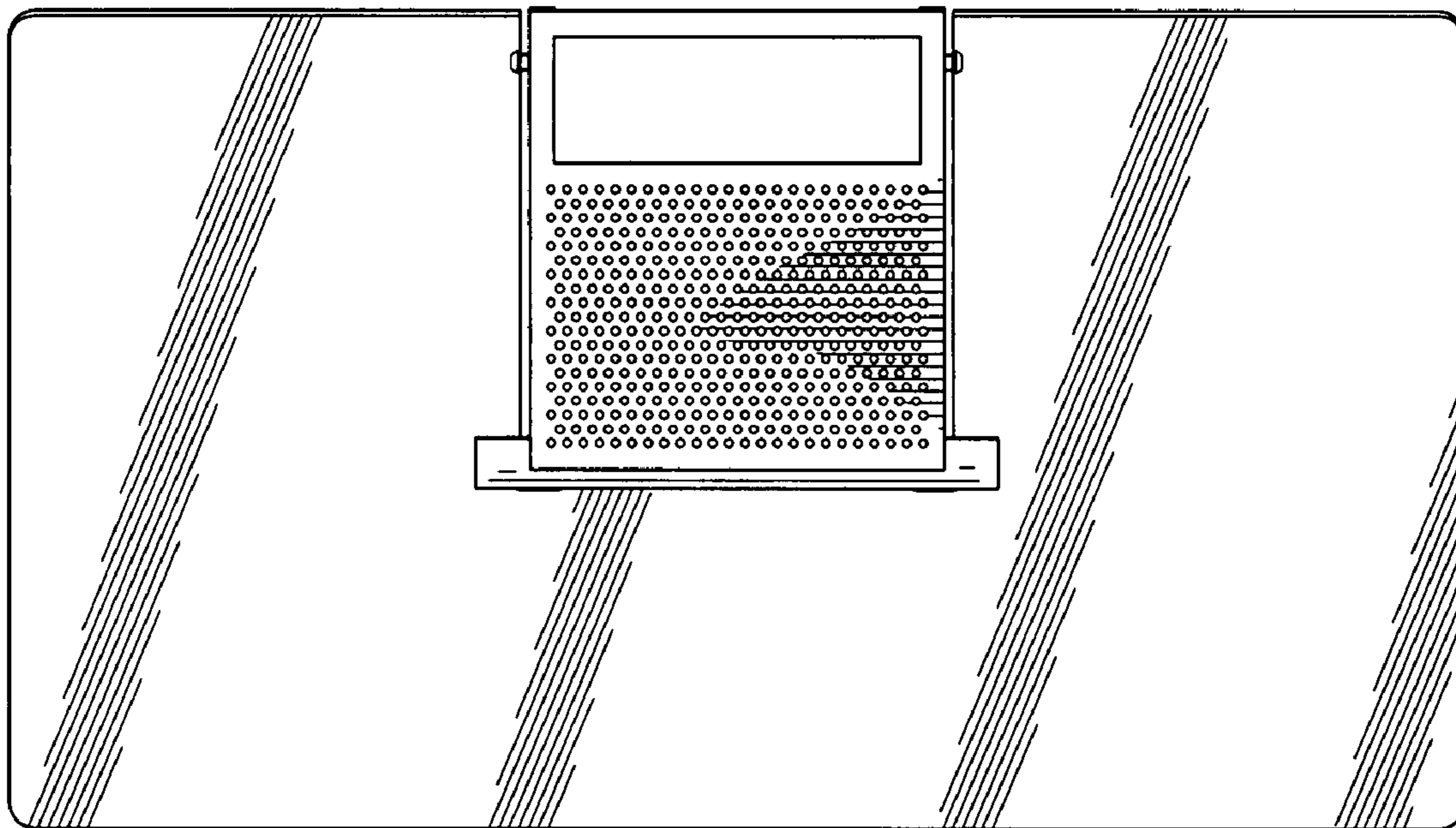


FIG. 7





**FIG. 8**