



US00D576263S

(12) **United States Design Patent**
Snow et al.

(10) **Patent No.:** **US D576,263 S**
(45) **Date of Patent:** **** Sep. 2, 2008**

(54) **PORTION OF A HUMIDIFIER TUB**

(75) Inventors: **John Michael Snow**, Cremorne (AU);
Dan Kao, Chatswood (AU); **Perry**
David Lithgow, Glenwood (AU); **Ian**
Malcolm Smith, Westleigh (AU);
William Bonilla, Blacktown (AU)

(73) Assignee: **ResMed Limited**, Bella Vista (AU)

(**) Term: **14 Years**

(21) Appl. No.: **29/290,275**

(22) Filed: **Nov. 14, 2007**

Related U.S. Application Data

(60) Division of application No. 29/274,232, filed on Apr. 6, 2007, now Pat. No. Des. 559,964, which is a continuation of application No. 29/251,427, filed on Jan. 9, 2006, now Pat. No. Des. 544,591.

(51) **LOC (8) Cl.** **23-04**

(52) **U.S. Cl.** **D23/356**

(58) **Field of Classification Search** D23/356,
D23/358, 355, 364-5; 392/386, 405-6; 239/136;
261/DIG. 65; D24/110

See application file for complete search history.

(56) **References Cited**

U.S. PATENT DOCUMENTS

D370,059 S 5/1996 Chiu et al.

D377,973 S 2/1997 Jane et al.
D385,343 S 10/1997 Chiu et al.
D498,527 S 11/2004 Virr et al.
D544,591 S 6/2007 Snow et al.
D549,810 S 8/2007 Smith et al.

OTHER PUBLICATIONS

Snow et al., Parent U.S. Appl. No. 29/274,232, filed Apr. 6, 2007.

Primary Examiner—Robin V Webster

(74) *Attorney, Agent, or Firm*—Nixon & Vanderhye P.C.

(57) **CLAIM**

The ornamental design for portion of a humidifier tub, as shown and described.

DESCRIPTION

FIG. 1 is a perspective view of portion of a humidifier tub according to our design;

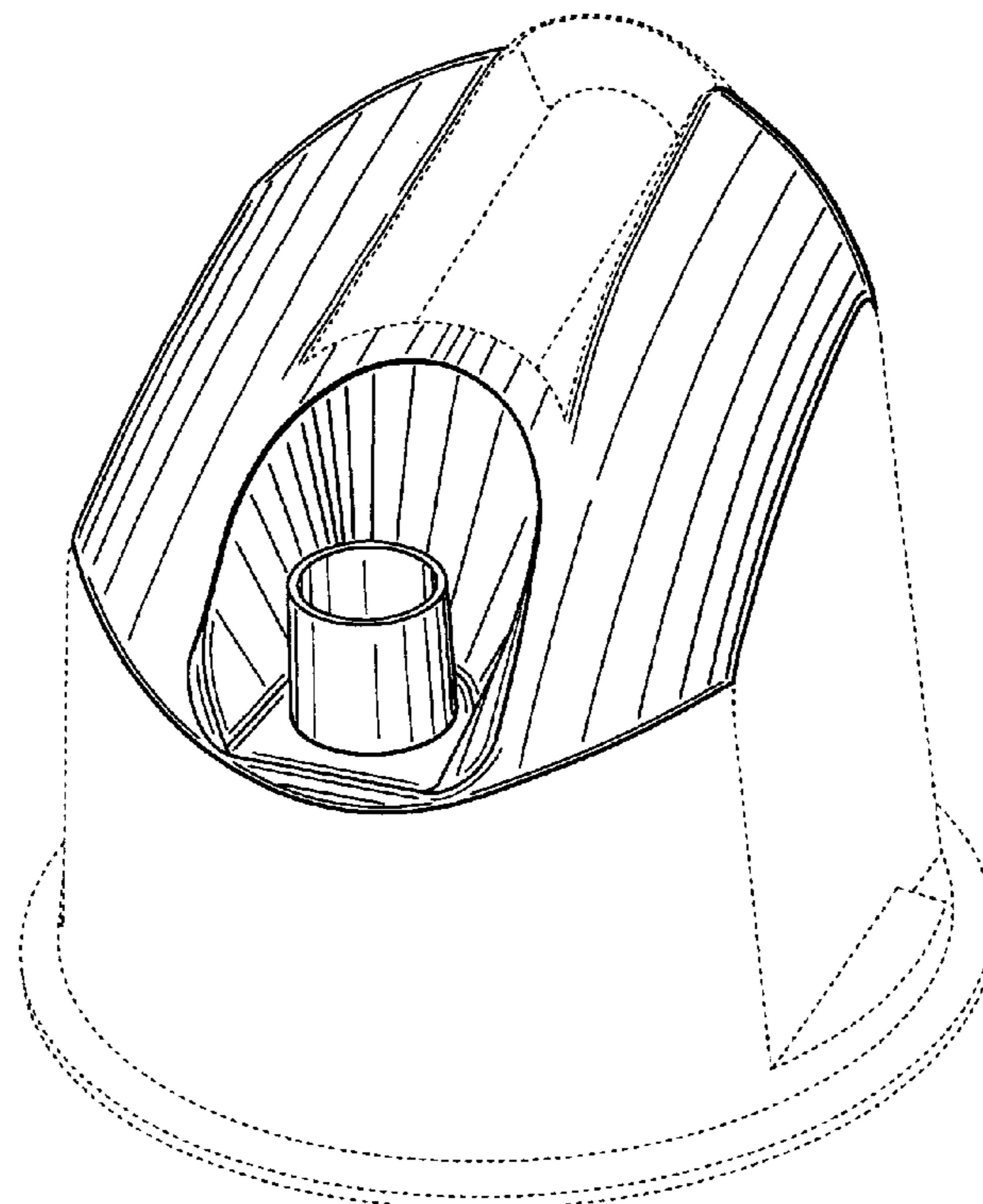
FIG. 2 is a front view thereof;

FIG. 3 is a top view thereof; and,

FIG. 4 is a right side view thereof with the left side view thereof being a mirror image thereof.

Where included, broken lines showing environment or structure are for illustrative purposes only and form no part of the claimed design.

1 Claim, 2 Drawing Sheets



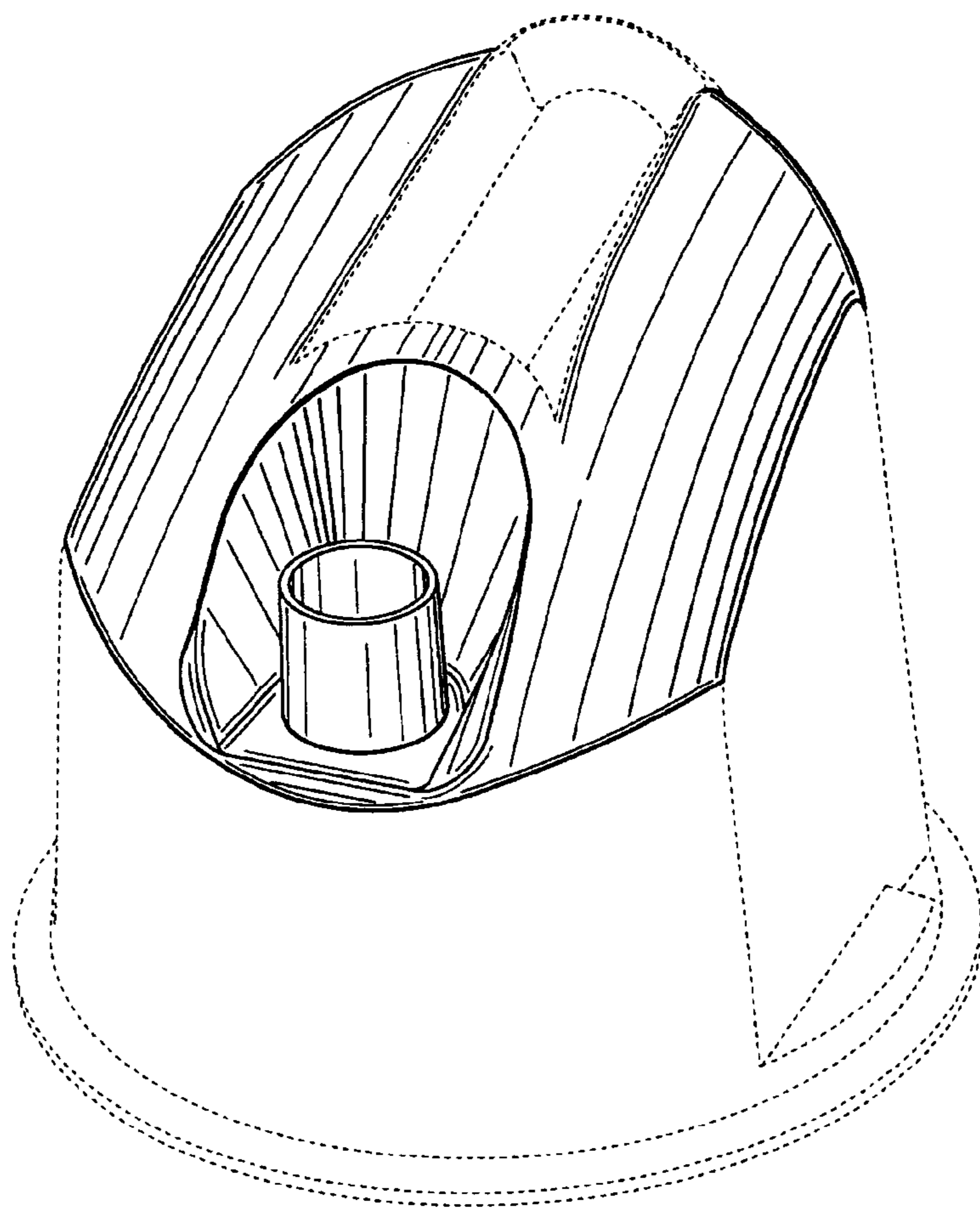


Fig. 1

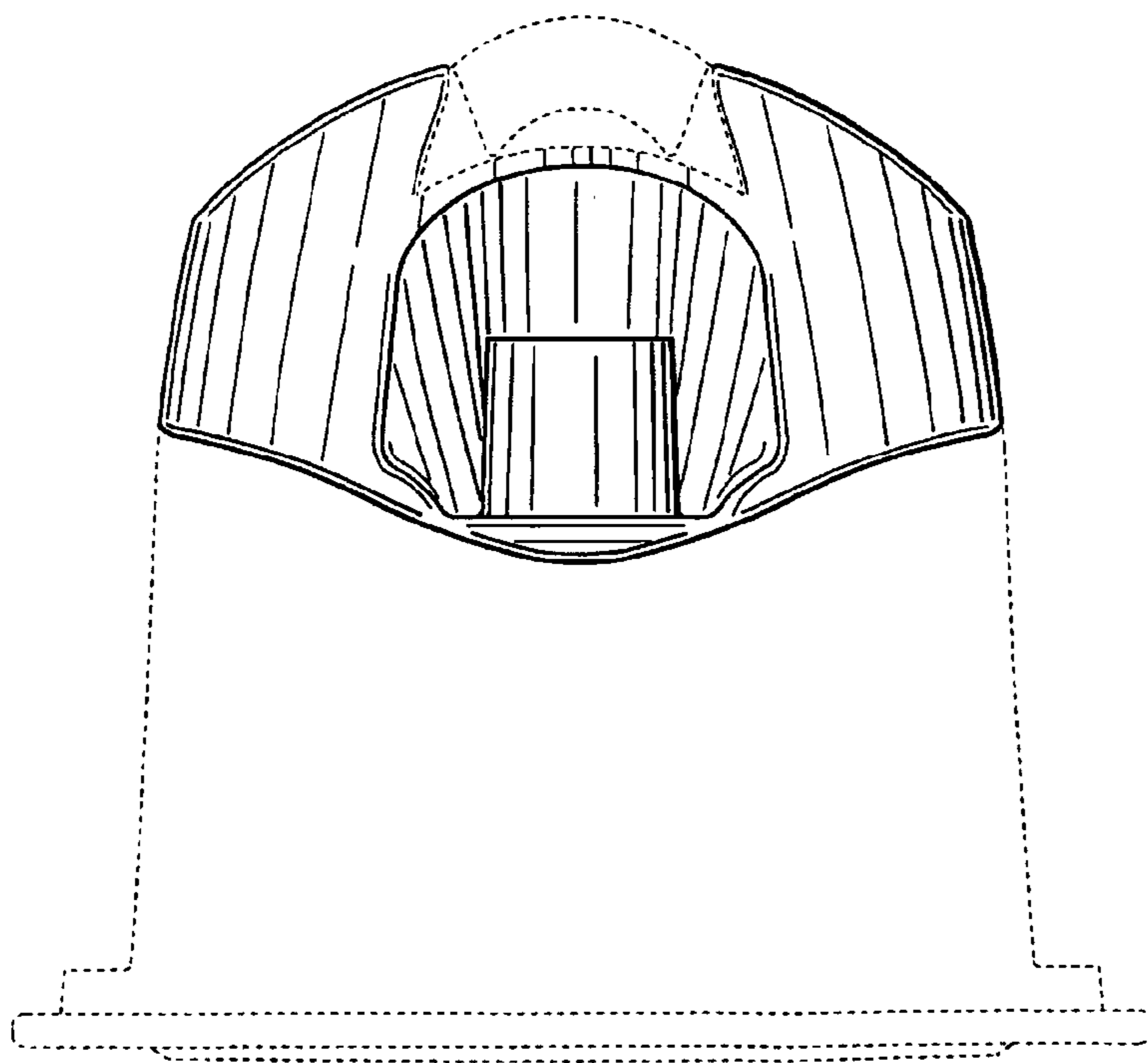


Fig. 2

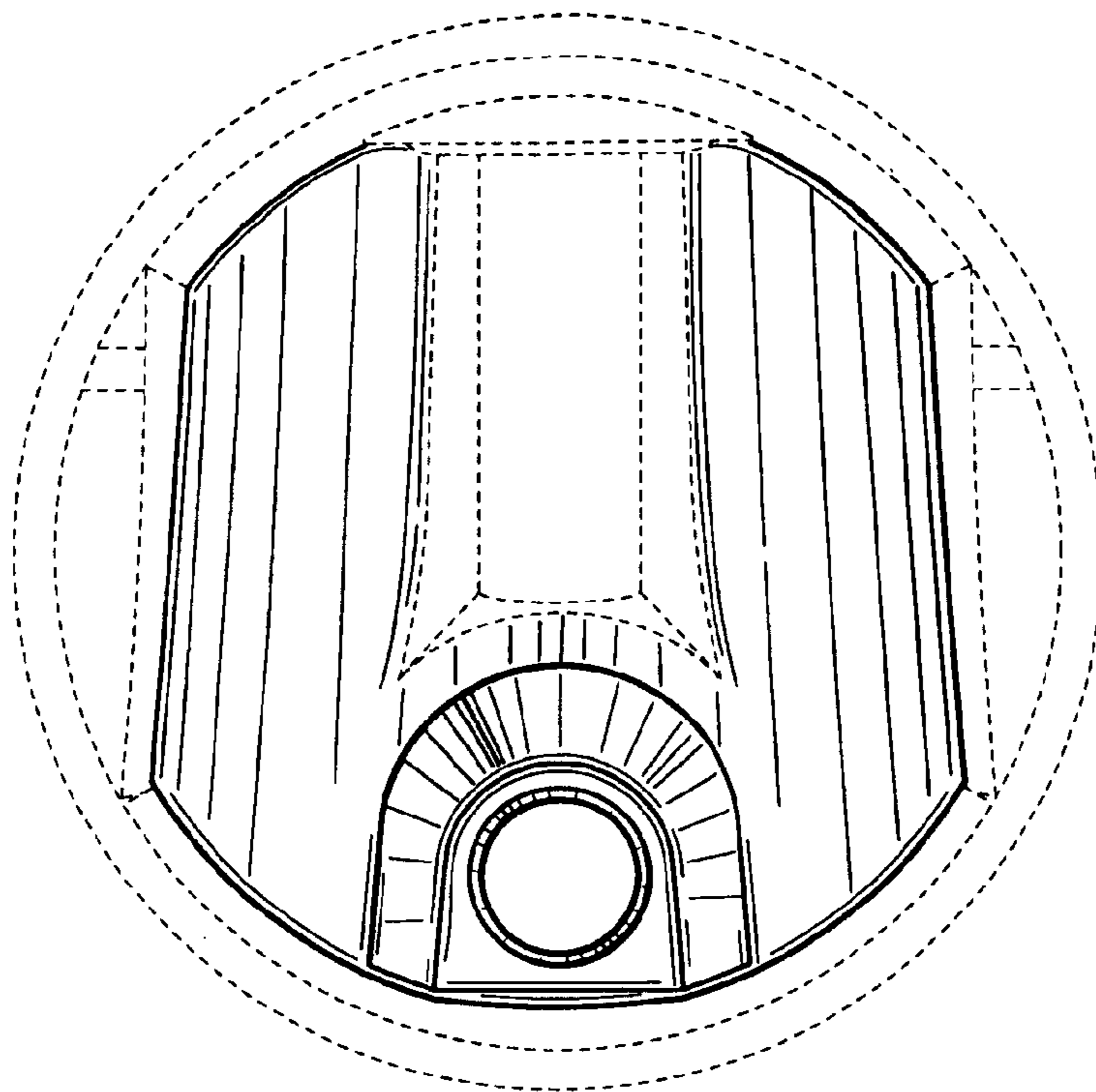


Fig. 3

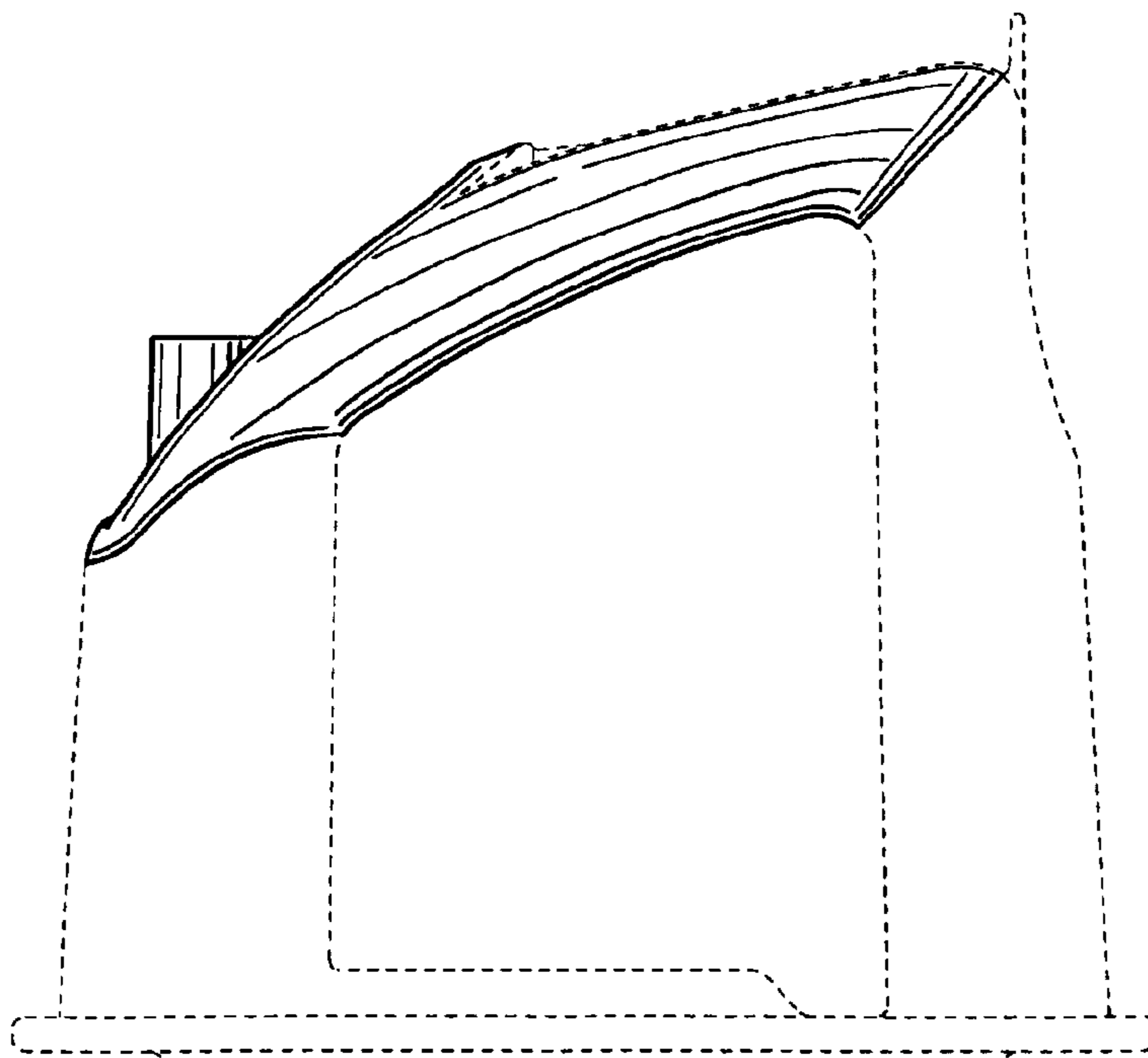


Fig. 4