



US00D576261S

(12) **United States Design Patent**
Wang

(10) **Patent No.:** **US D576,261 S**
(45) **Date of Patent:** **** Sep. 2, 2008**

(54) **NO FRAME NEEDED GRANITE VANITY TOPS WITH STONE COLUMN LEG AND ARCHED APRON**

Primary Examiner—Robert A Delehanty

(76) **Inventor:** **Shao Wang**, 5600 Old Spanish Trail,
Houston, TX (US) 77023

(57) **CLAIM**

(**) **Term:** **14 Years**

The ornamental design for no frame needed granite vanity tops with stone column leg and arched apron, as shown and described.

(21) **Appl. No.:** **29/249,521**

DESCRIPTION

(22) **Filed:** **Oct. 10, 2006**

FIG. 1 is a perspective view of a no frame needed granite vanity tops with stone column leg and arched apron showing my new design in a first embodiment;

(51) **LOC (8) Cl.** **23-02**

FIG. 2 is a front elevation view thereof;

(52) **U.S. Cl.** **D23/286**

FIG. 3 is a top plan view thereof;

(58) **Field of Classification Search** D23/286,
D23/303, 308; 4/663-664, 630-631, 643;
D6/397, 497, 509

FIG. 4 is a side elevation view, the opposite side being a mirror image, thereof;

See application file for complete search history.

FIG. 5 is a rear elevation view thereof;

(56) **References Cited**

FIG. 6 is a perspective view of a second embodiment thereof; and,

U.S. PATENT DOCUMENTS

FIG. 7 is a side elevation view, the opposite side being a mirror image thereof.

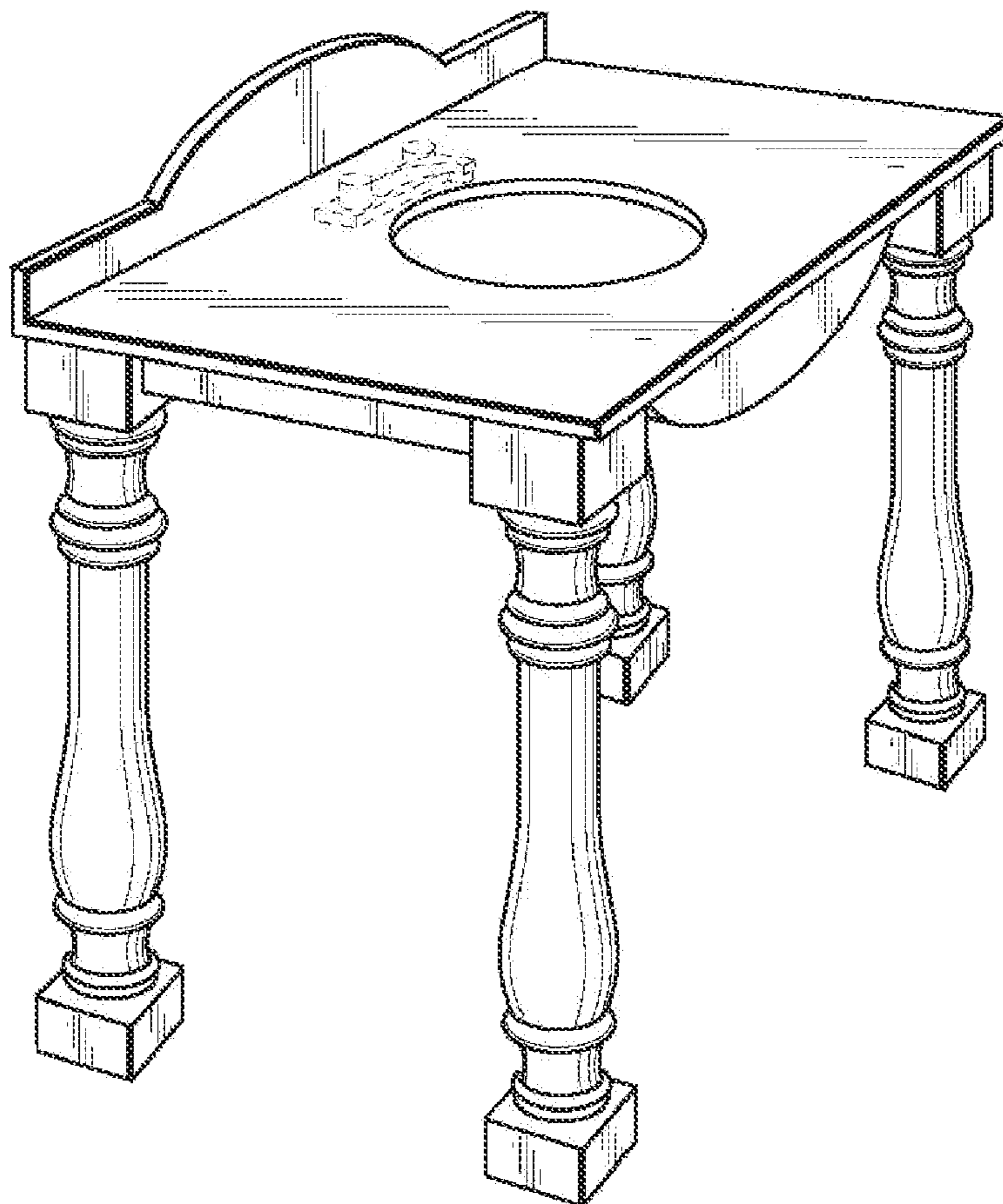
D511,374 S * 11/2005 Chen D23/293.1

The broken lines showing of a faucet are for illustrative purposes and form no part of the claimed design.

D536,074 S * 1/2007 Mayer D23/286

* cited by examiner

1 Claim, 3 Drawing Sheets



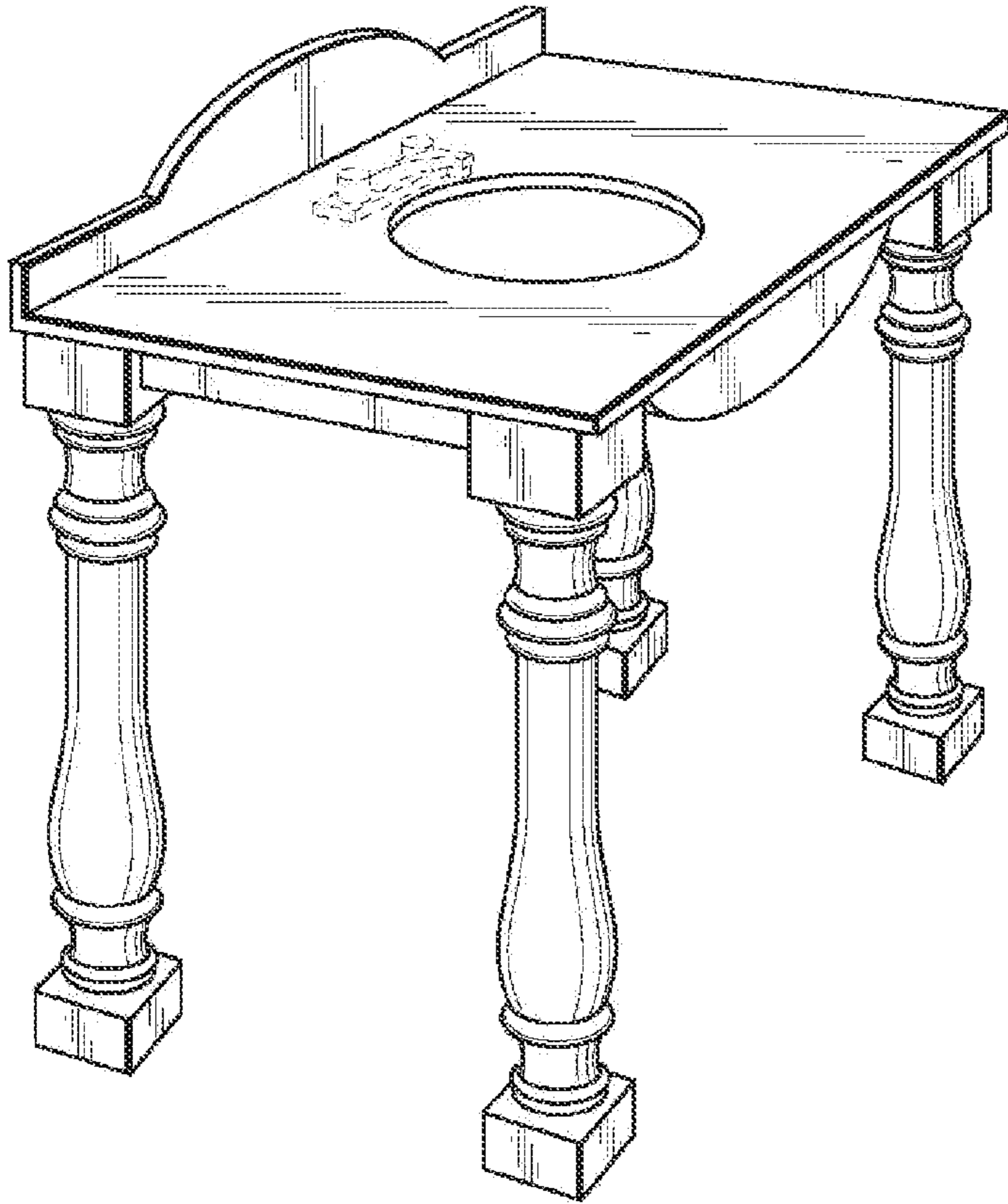


FIG. 1

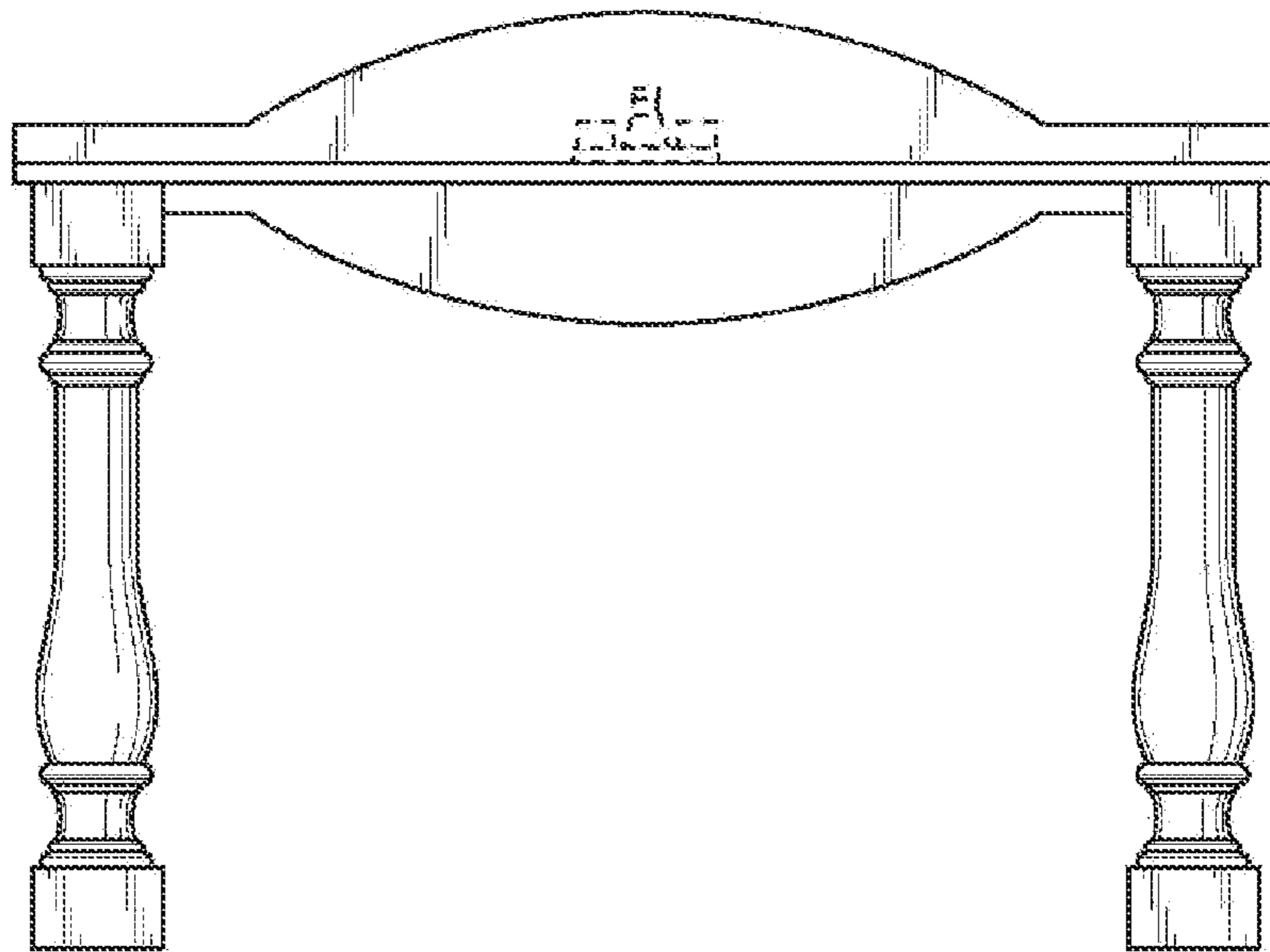


FIG. 2

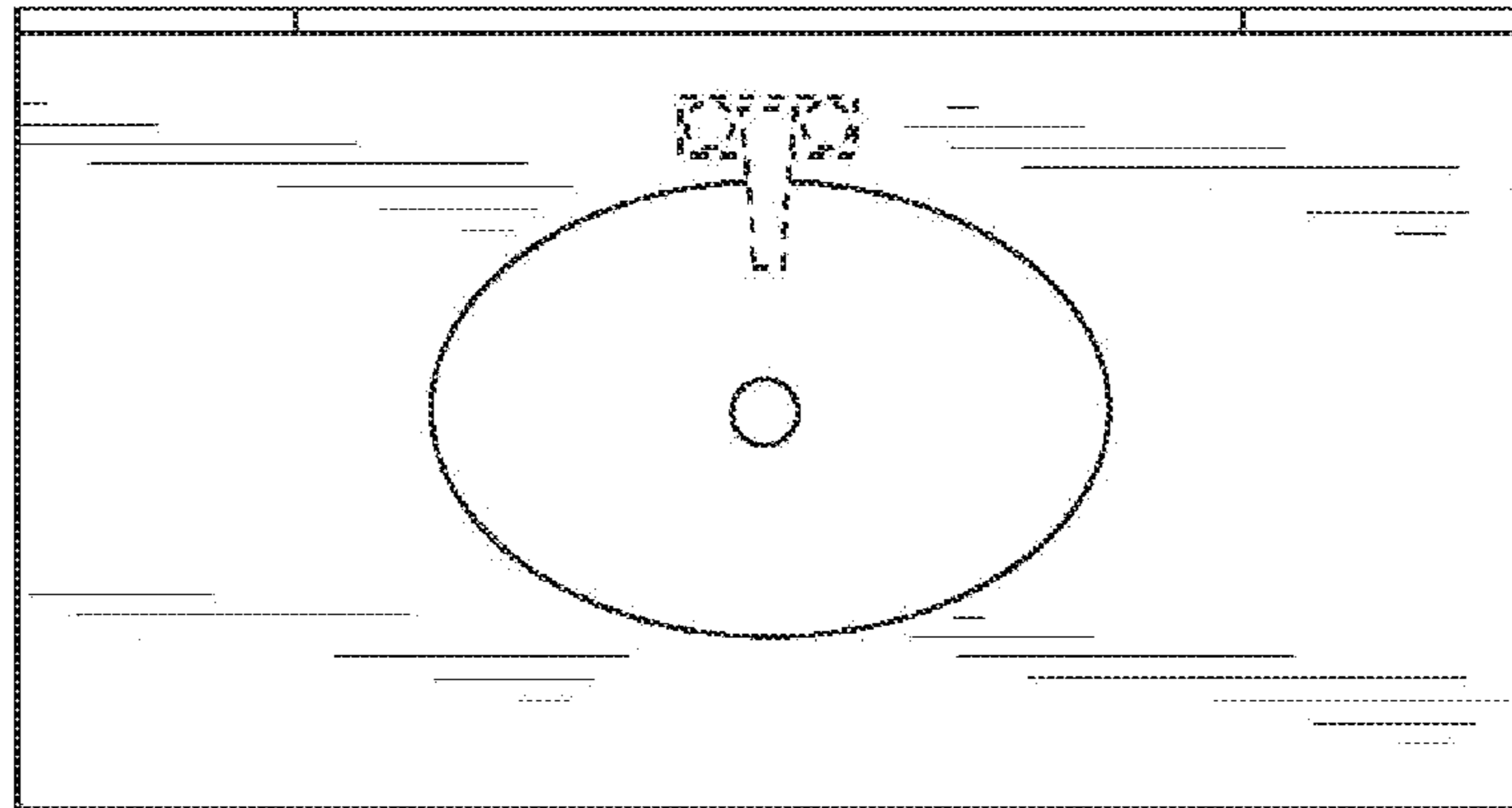


FIG. 3

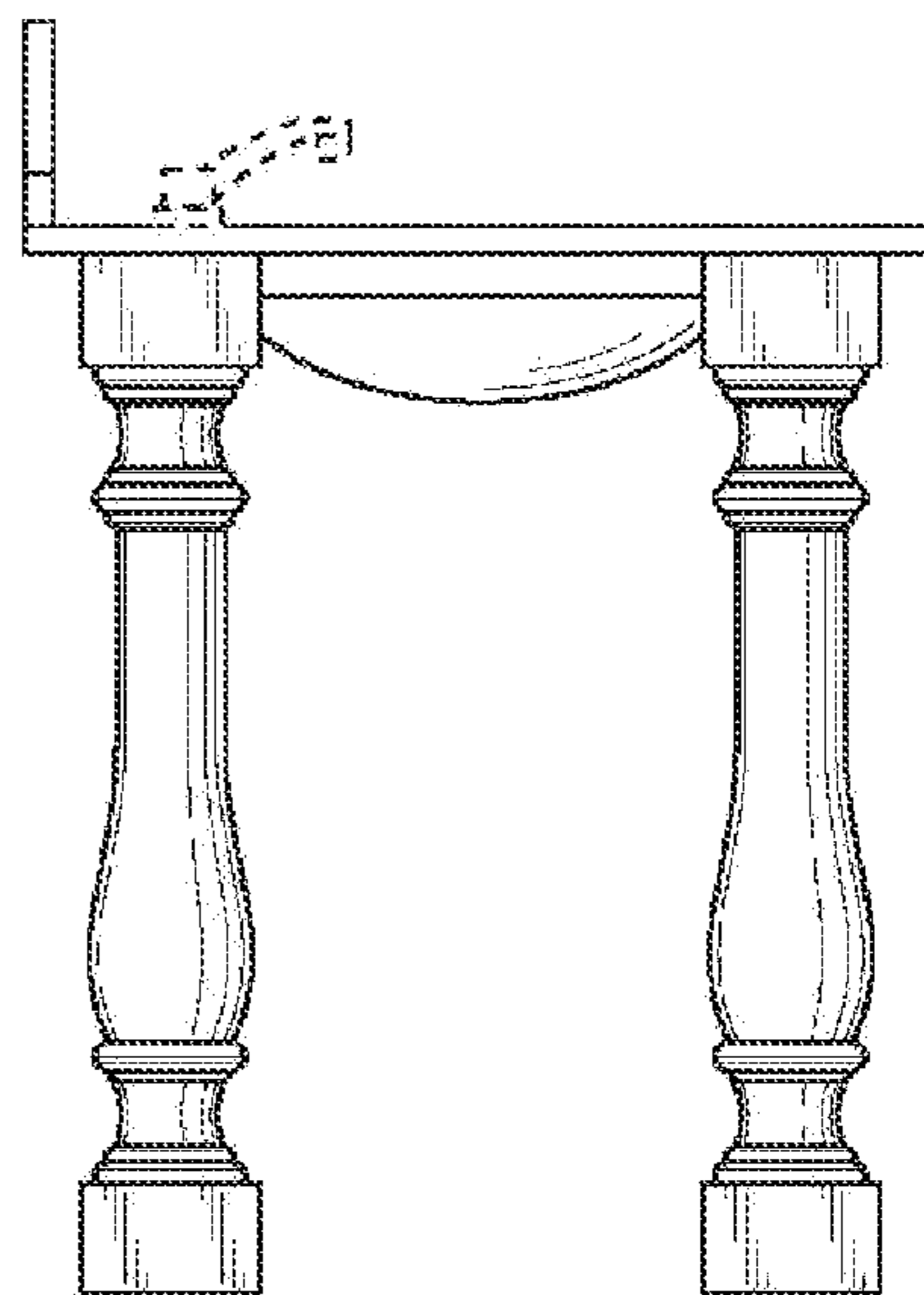


FIG. 4

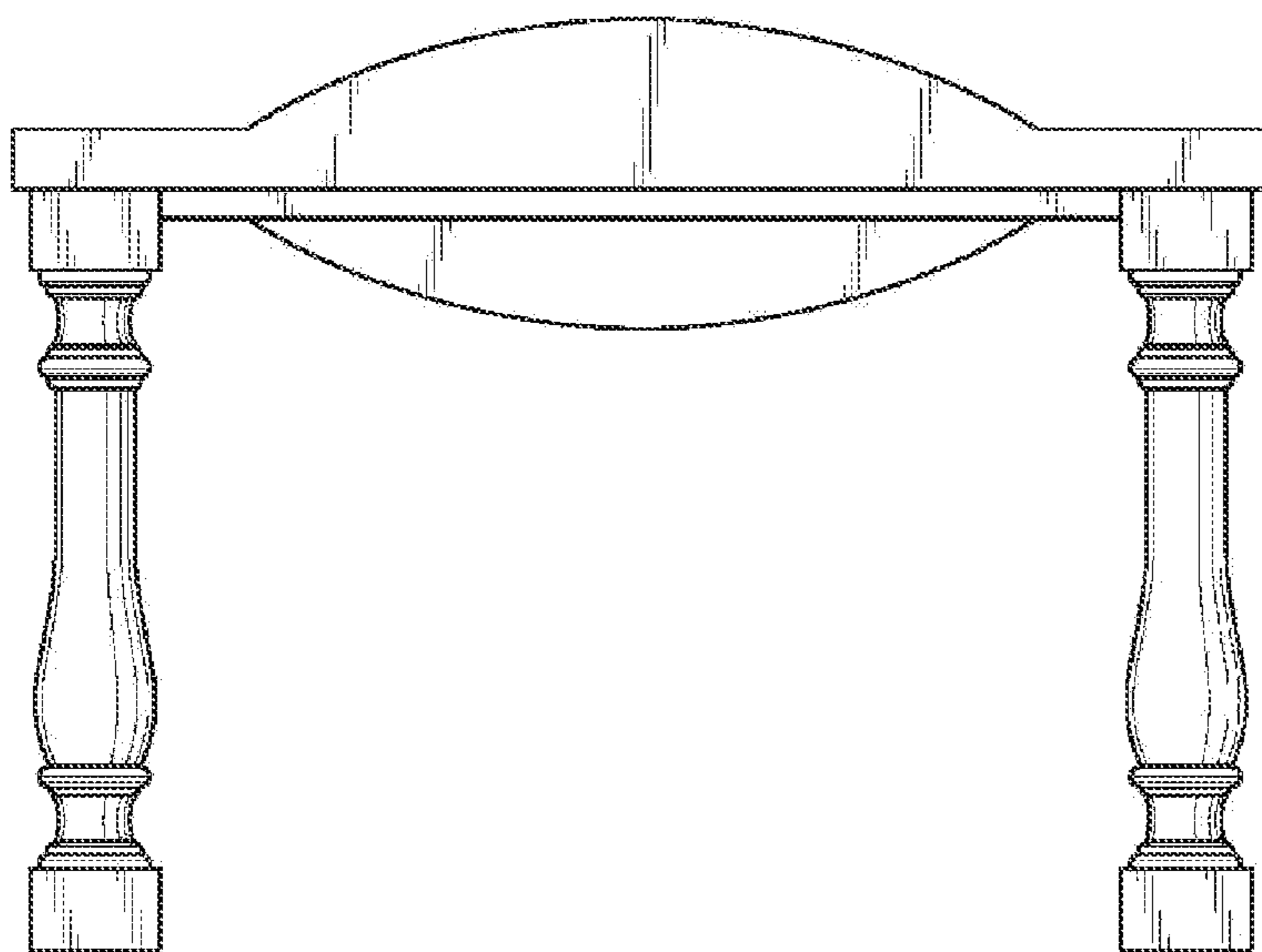


FIG. 5

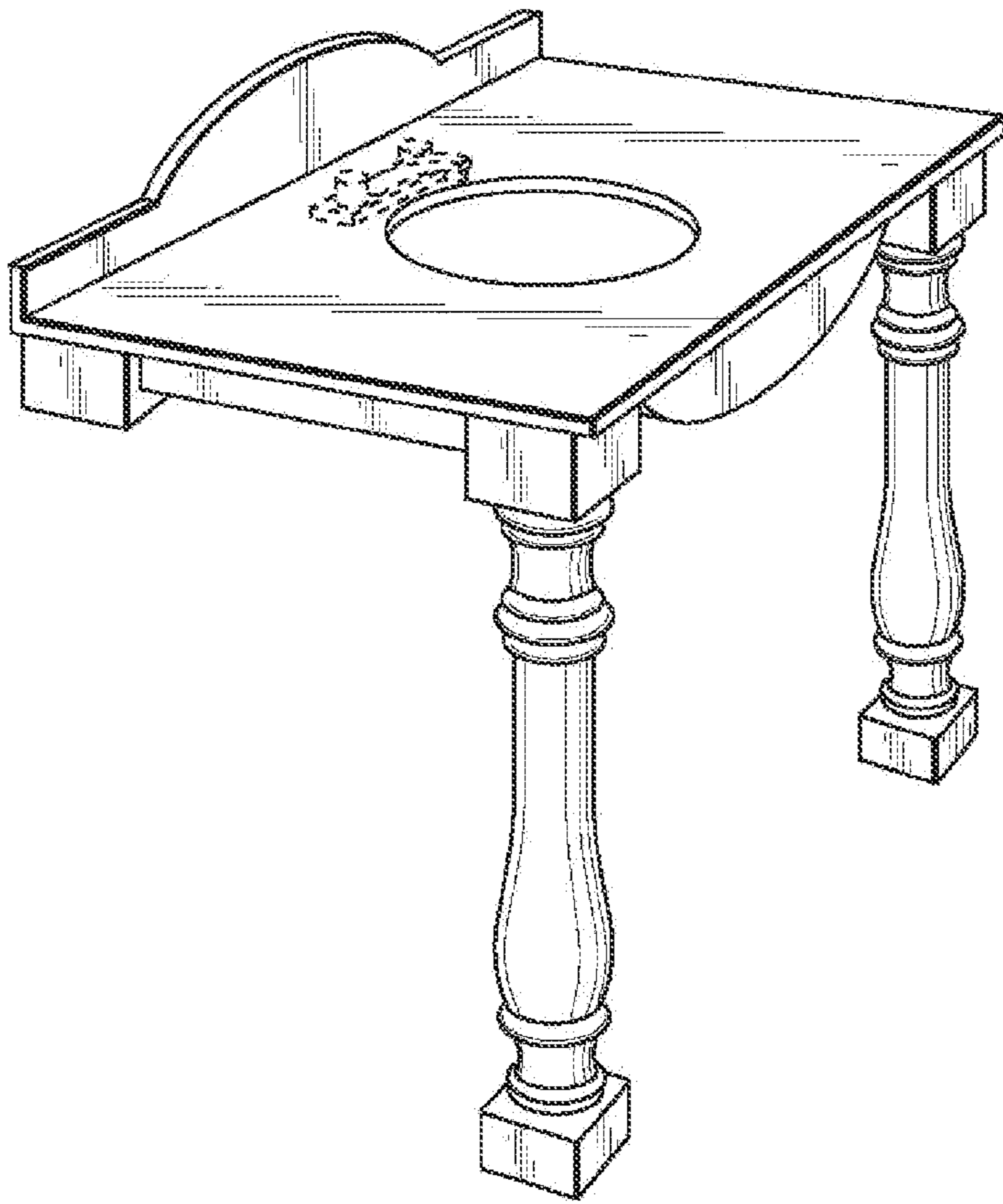


FIG. 6

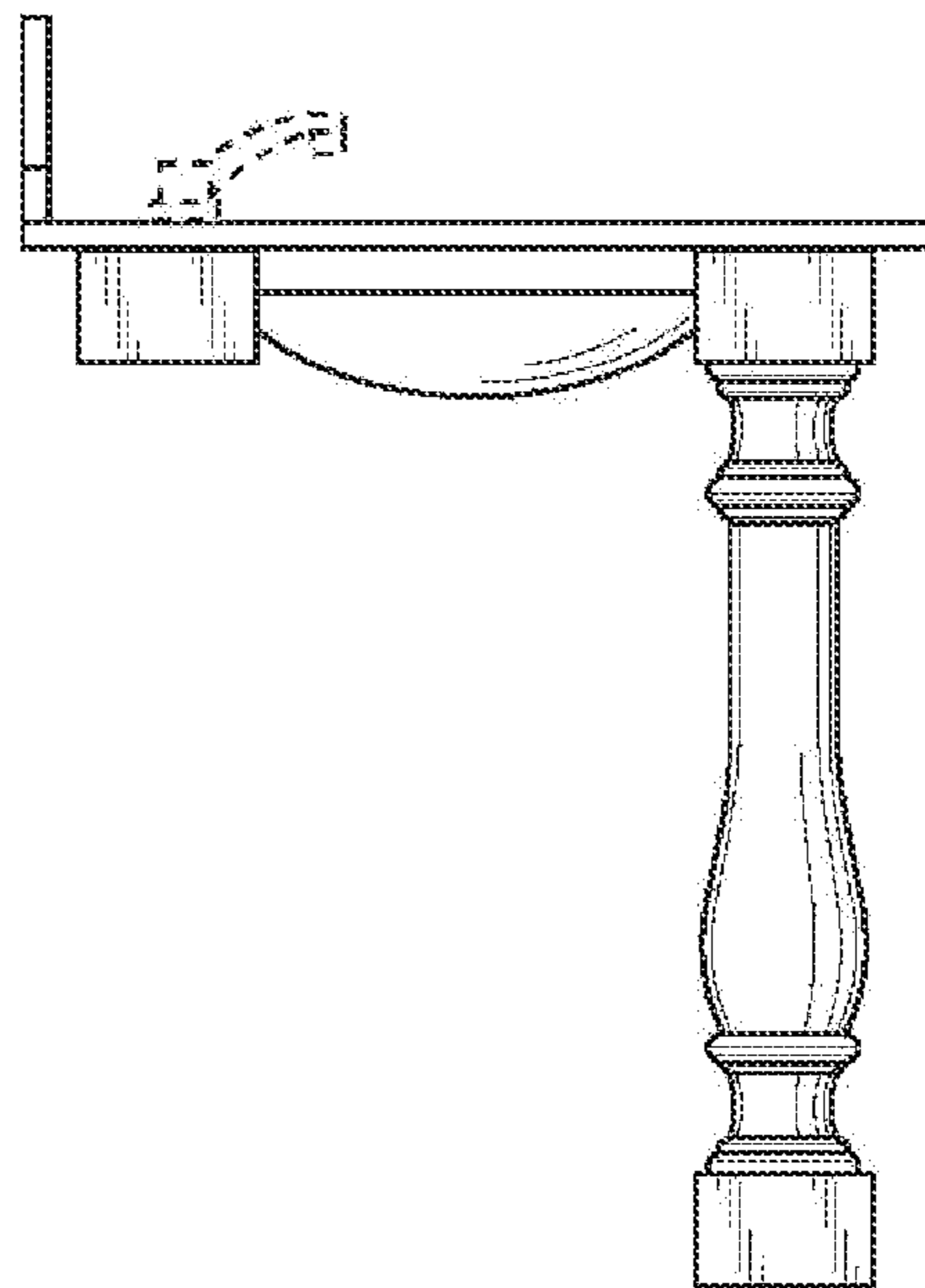


FIG. 7