



US00D576260S

(12) **United States Design Patent**
Chan

(10) **Patent No.:** **US D576,260 S**
(45) **Date of Patent:** **** Sep. 2, 2008**

(54) **CONDUIT JOINING APPARATUS**

(57) **CLAIM**

(76) Inventor: **Sun Chan**, 5 Koala Avenue, Ingleburn,
New South Wales (AU) 2562

The ornamental design for conduit joining apparatus, as
shown and described.

(**) Term: **14 Years**

DESCRIPTION

(21) Appl. No.: **29/295,310**

FIG. 1 is a perspective view of a first embodiment of the
conduit joining apparatus of my design;

(22) Filed: **Sep. 26, 2007**

FIG. 2 is an exploded perspective view thereof;

(51) **LOC (8) Cl.** **23-01**

FIG. 3 is a front elevational plan view thereof;

(52) **U.S. Cl.** **D23/269**

FIG. 4 is a right side elevational view thereof, the left side
elevational view being a mirror image thereof;

(58) **Field of Classification Search** D23/269;
285/104-105, 337; 277/602, 608, 625-626

FIG. 5 is a top plan view thereof;

See application file for complete search history.

FIG. 6 is a bottom plan view thereof;

(56) **References Cited**

FIG. 7 is a partial cross-sectional view thereof taken along
line 7-7 of FIG. 3;

U.S. PATENT DOCUMENTS

FIG. 8 is a perspective view of a second embodiment of the
conduit joining apparatus of my design;

2,163,810 A * 6/1939 Raybould 285/232

FIG. 9 is an exploded perspective view of FIG. 8;

2,458,817 A * 1/1949 Wolfram 285/328

FIG. 10 is a front elevational plan view of FIG. 8;

3,857,589 A * 12/1974 Oostenbrink 277/615

FIG. 11 is a right side elevational view of FIG. 8, the left side
elevational view being a mirror image thereof;

D342,567 S * 12/1993 Boen D23/269

FIG. 12 is a top plan view of FIG. 8;

D362,902 S * 10/1995 Reiber D23/269

FIG. 13 is a bottom plan view of FIG. 8; and,

D557,387 S * 12/2007 Darce D23/269

FIG. 14 is a partial cross-sectional view of FIG. 8 taken along
line 14-14 thereof.

* cited by examiner

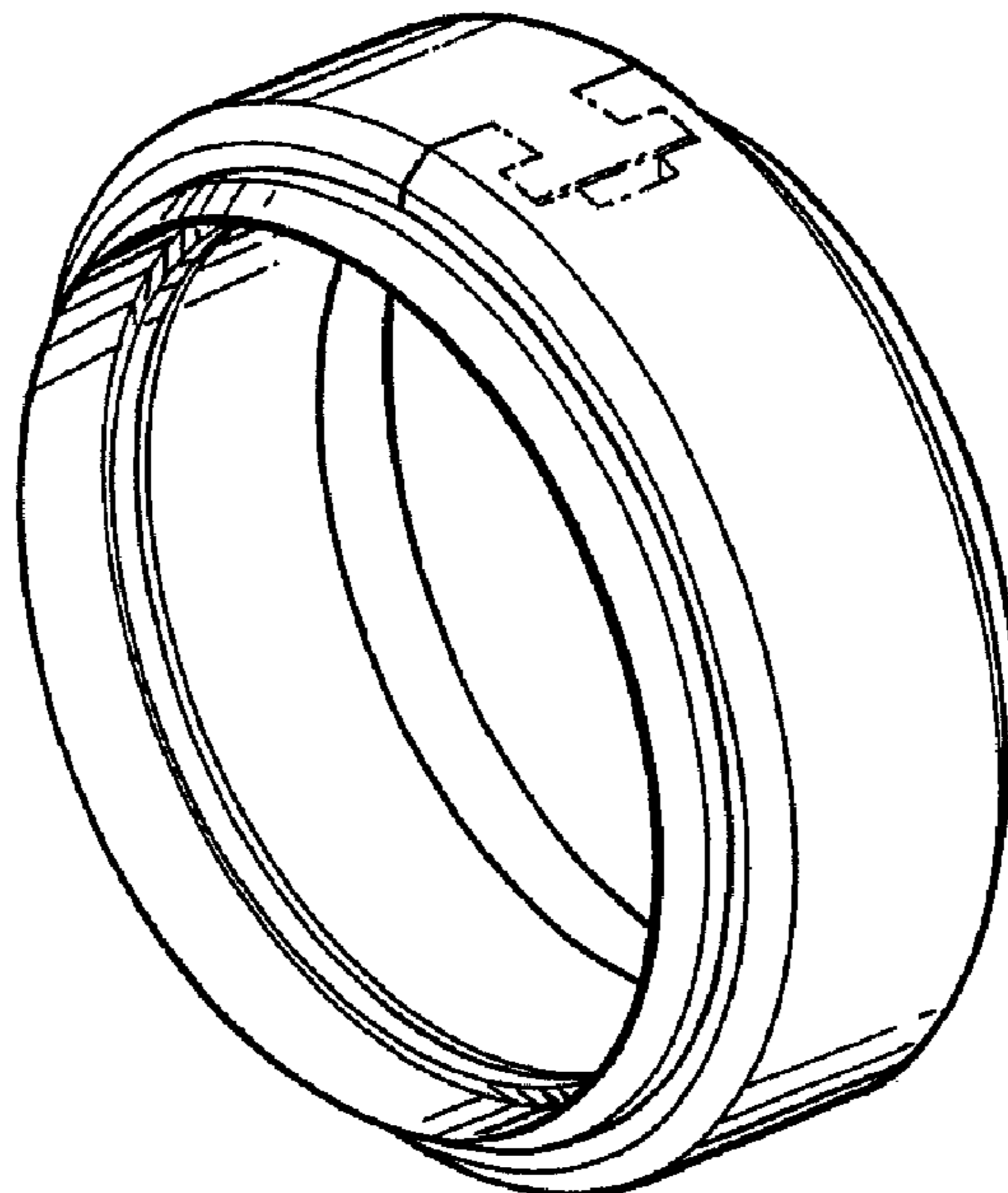
The broken line showing is included for the purpose of illus-
trating portions of the article that form no part of the claimed
design.

Primary Examiner—Louis S Zarfaz

Assistant Examiner—Eric L Goodman

(74) *Attorney, Agent, or Firm*—Richard M. Goldberg

1 Claim, 4 Drawing Sheets



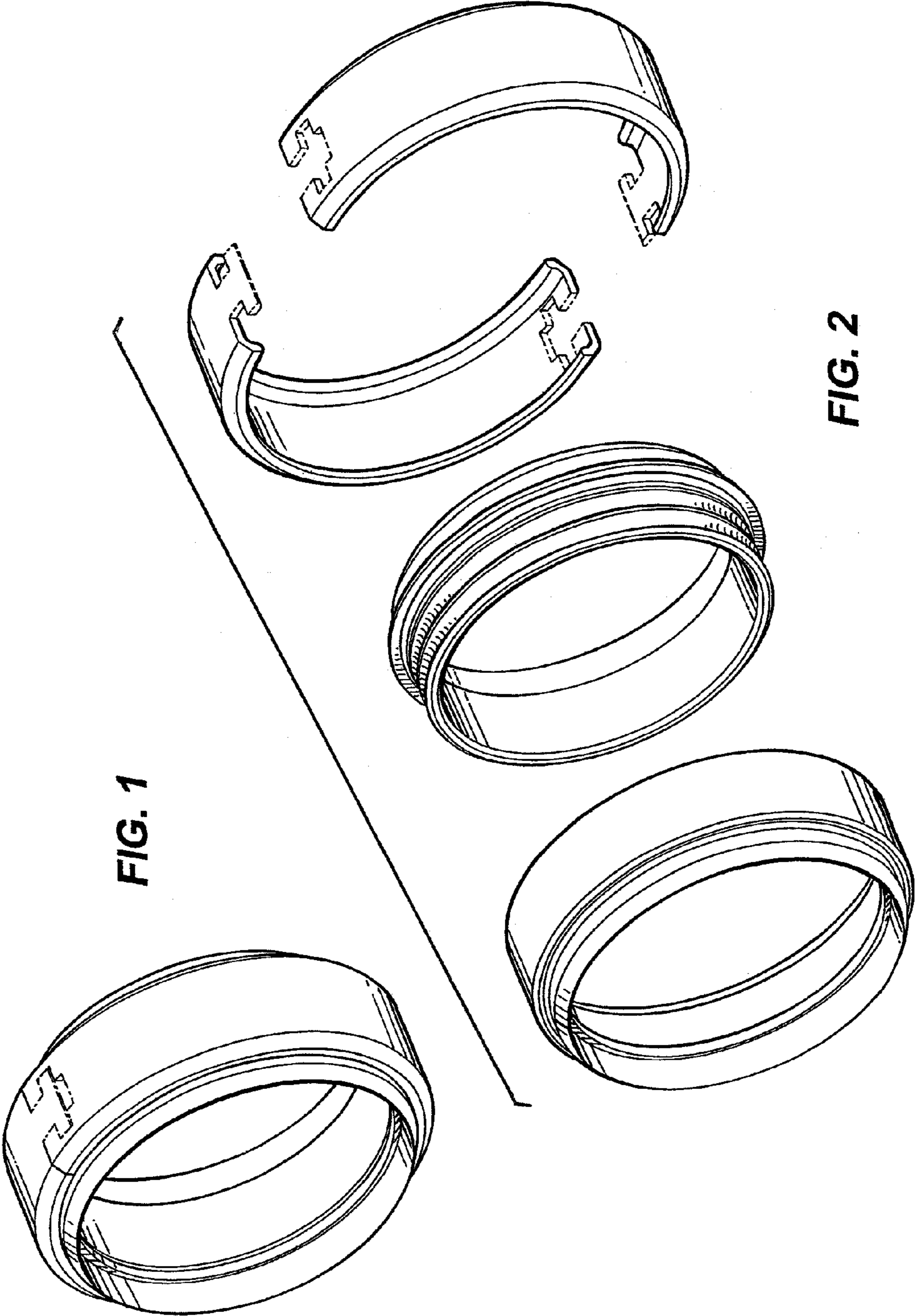


FIG. 1

FIG. 2

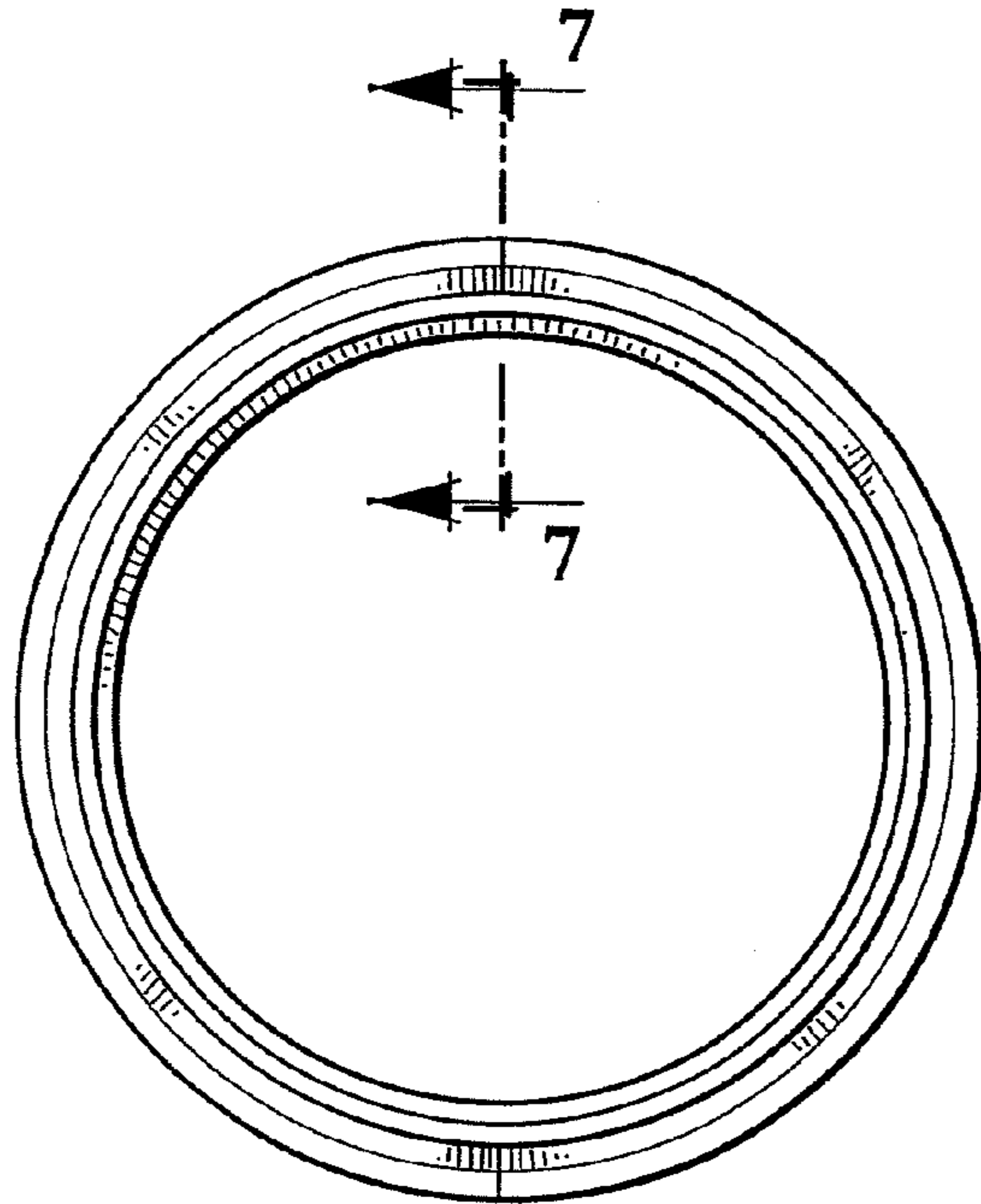


FIG. 3

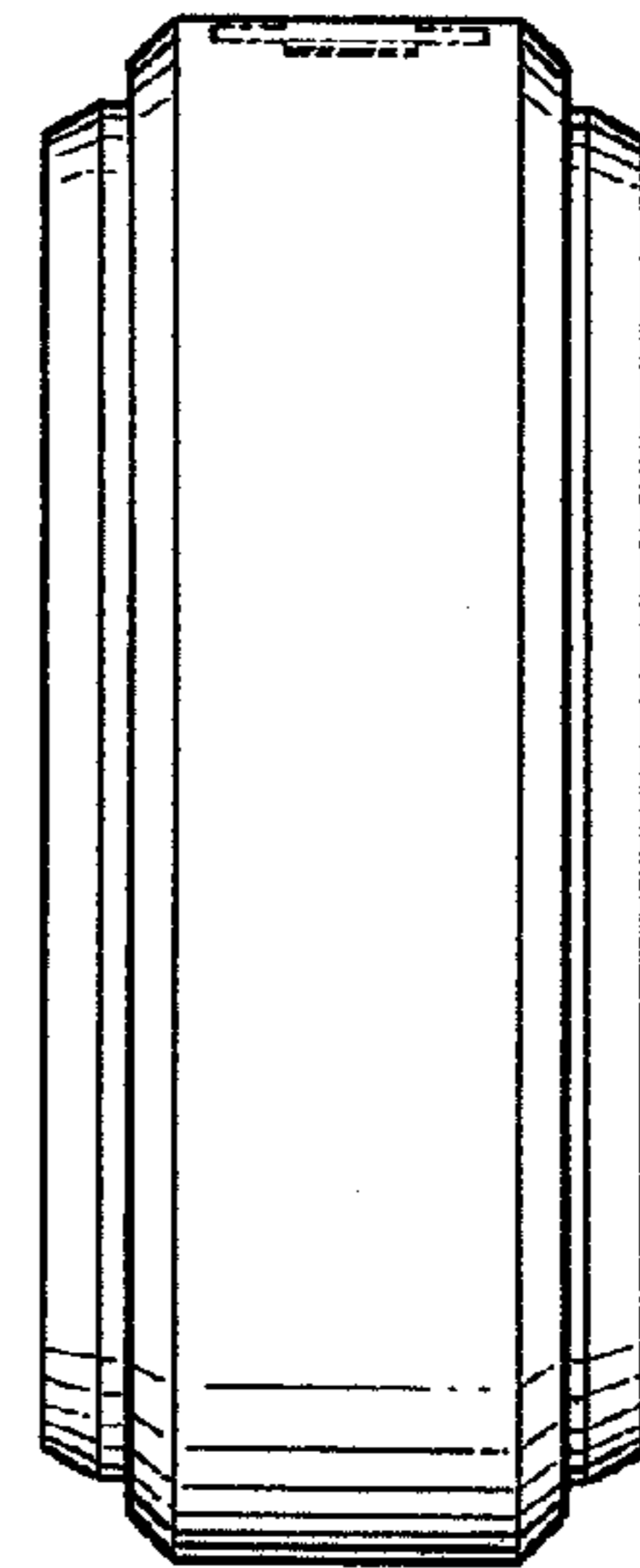


FIG. 4

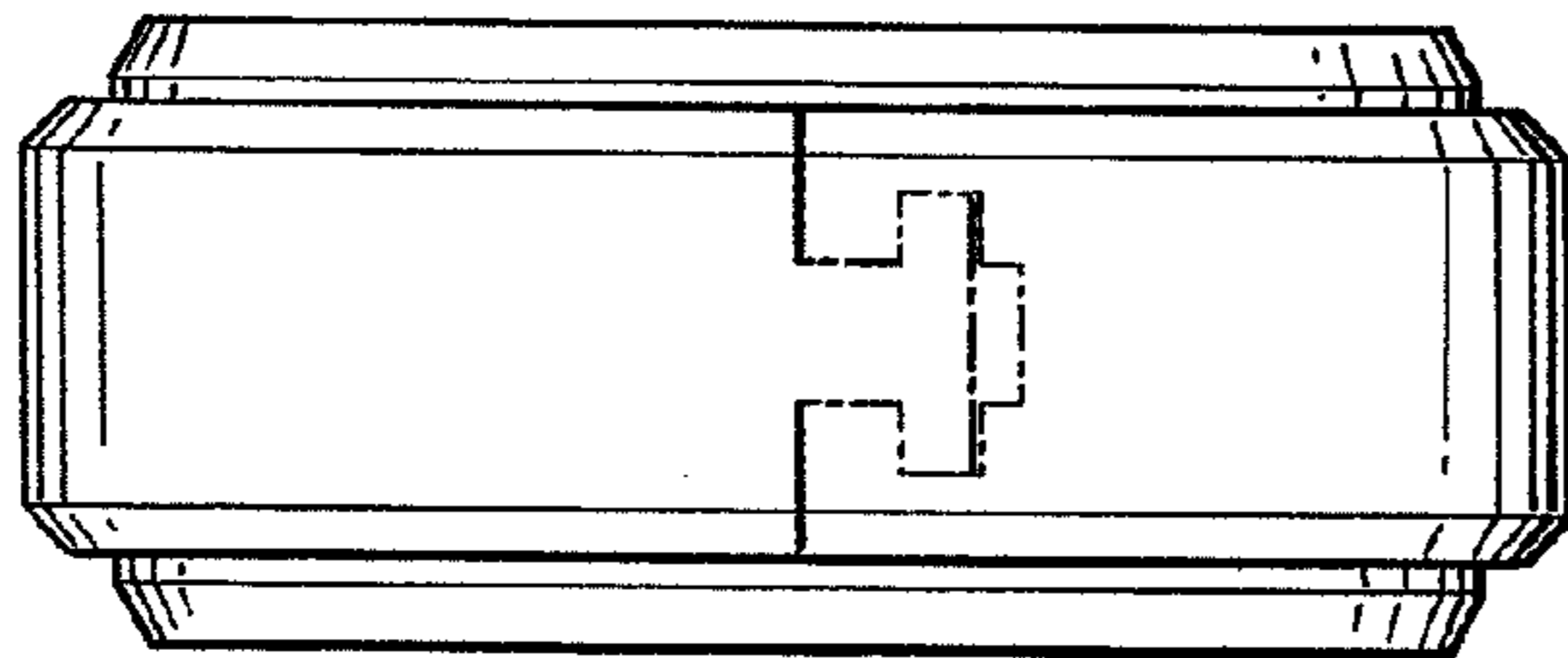


FIG. 5

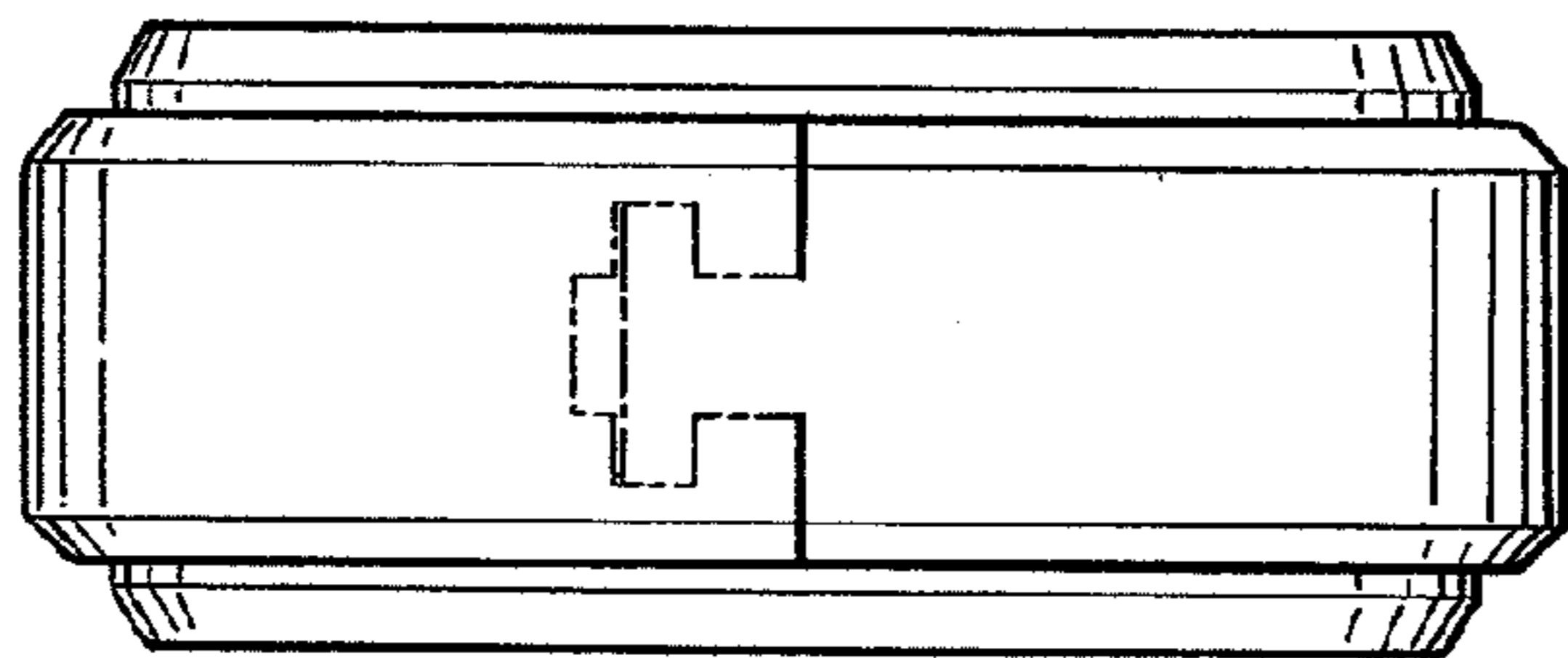


FIG. 6

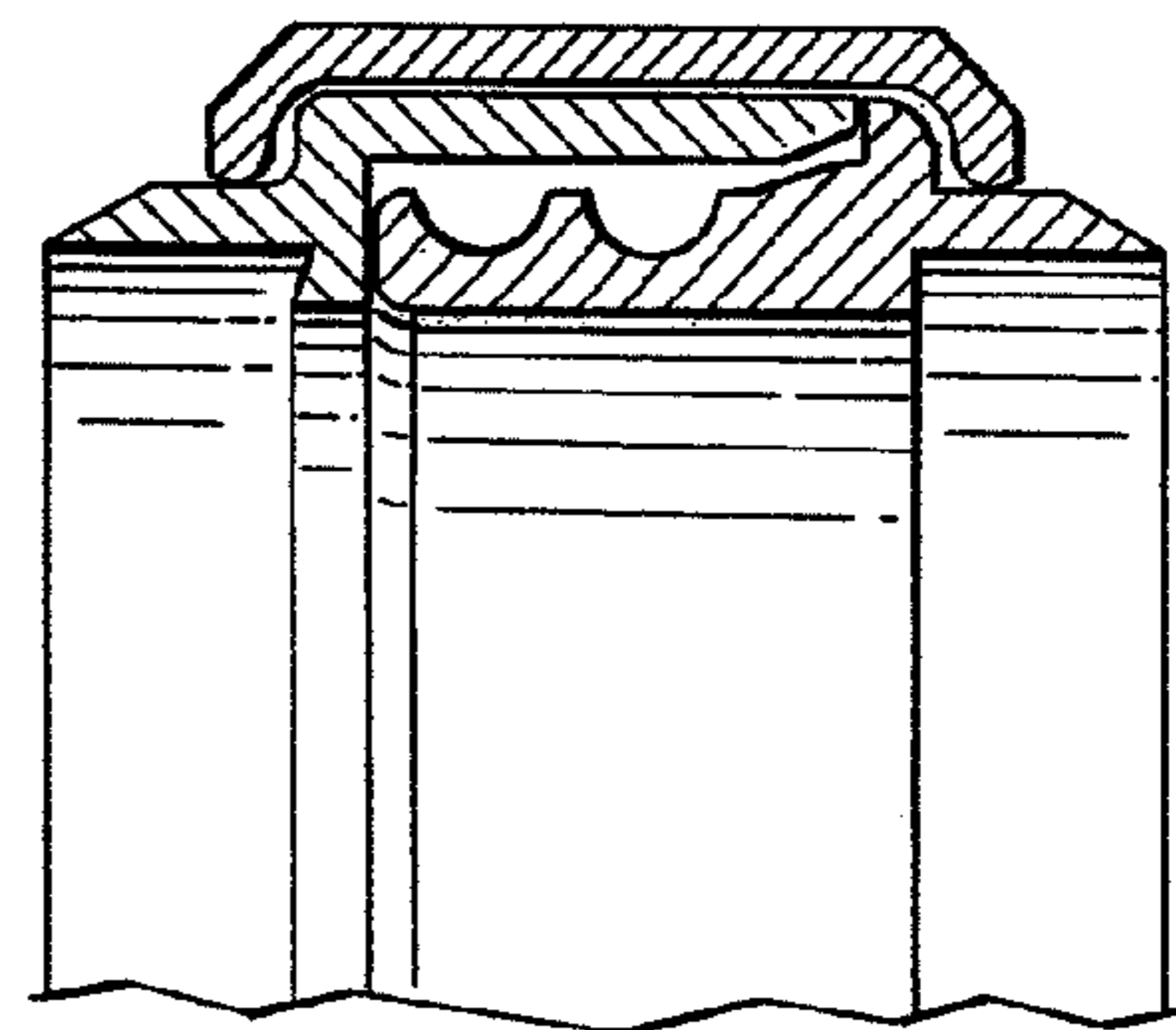


FIG. 7

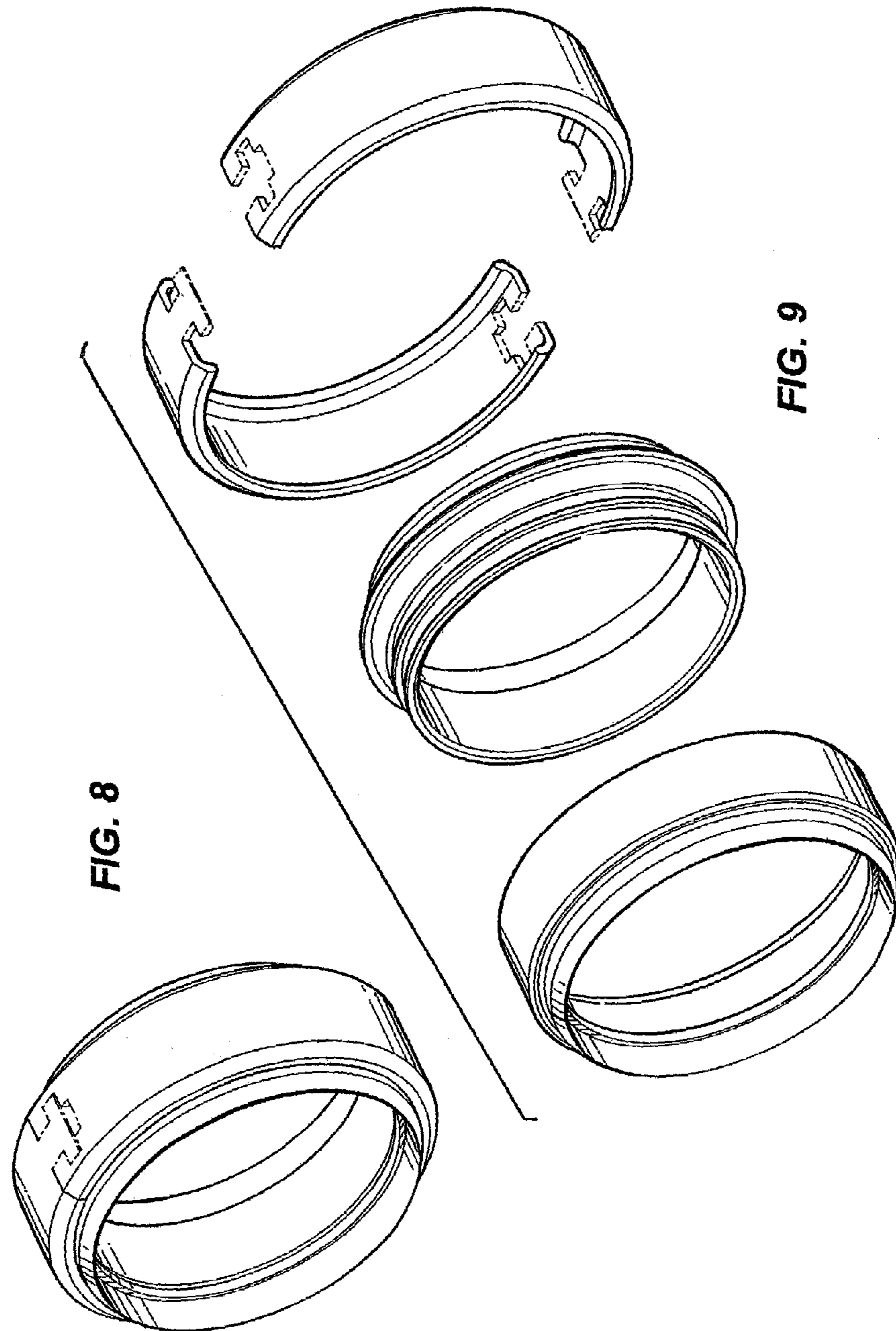


FIG. 8

FIG. 9

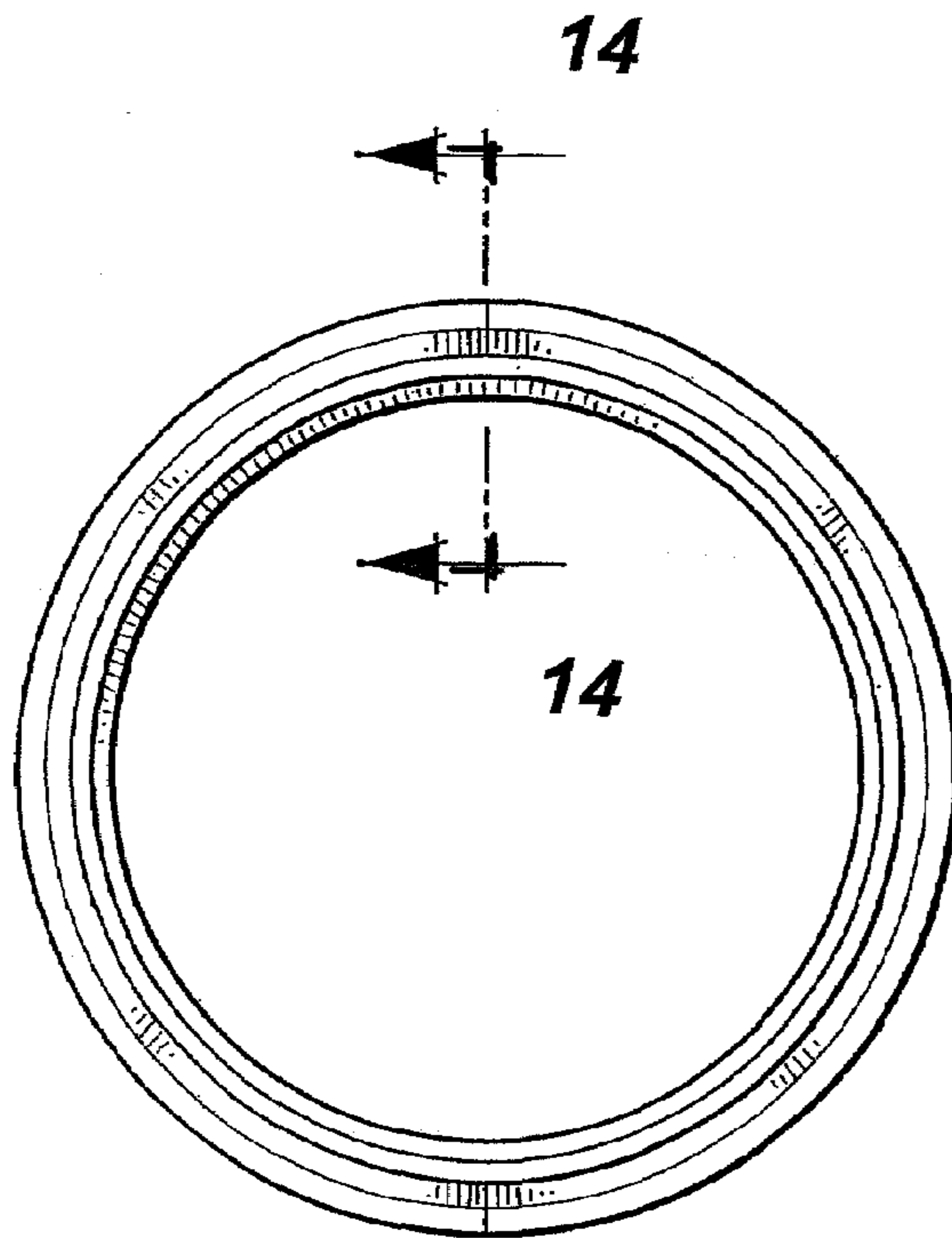


FIG. 10

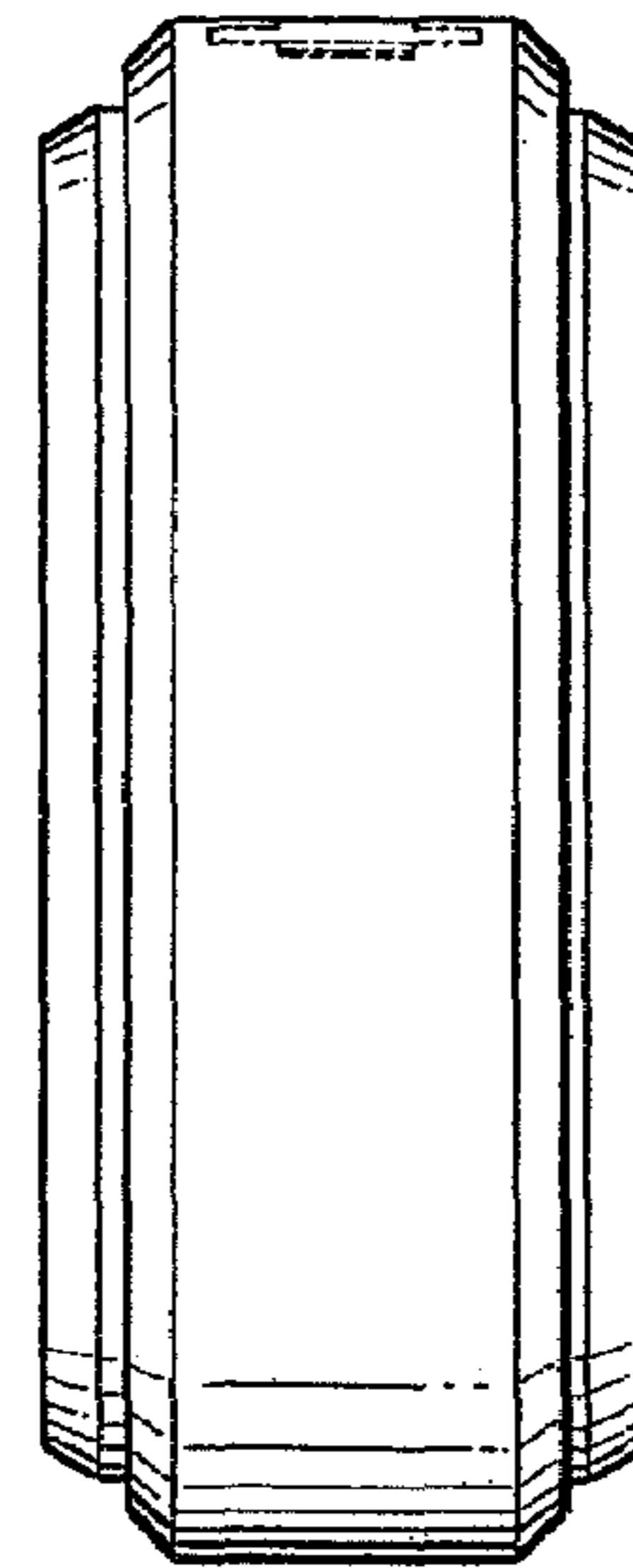


FIG. 11

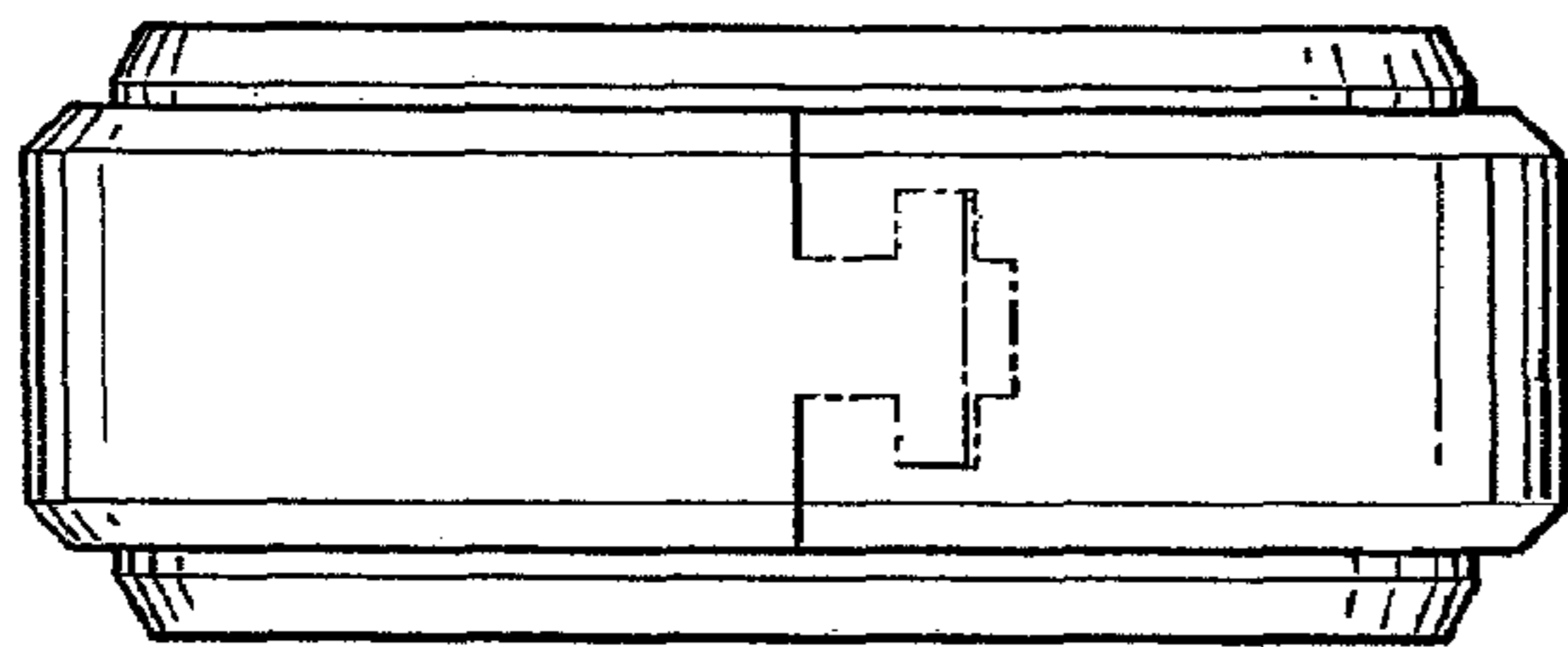


FIG. 12

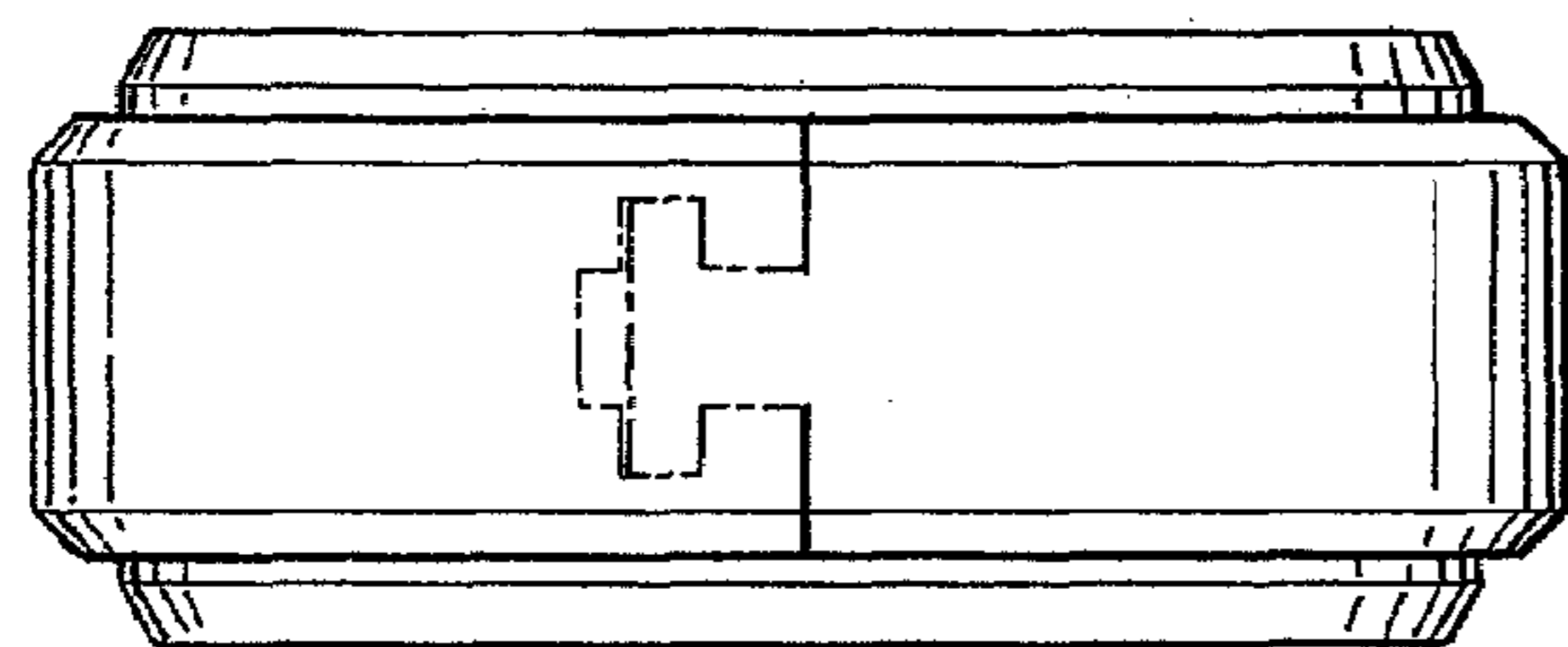


FIG. 13

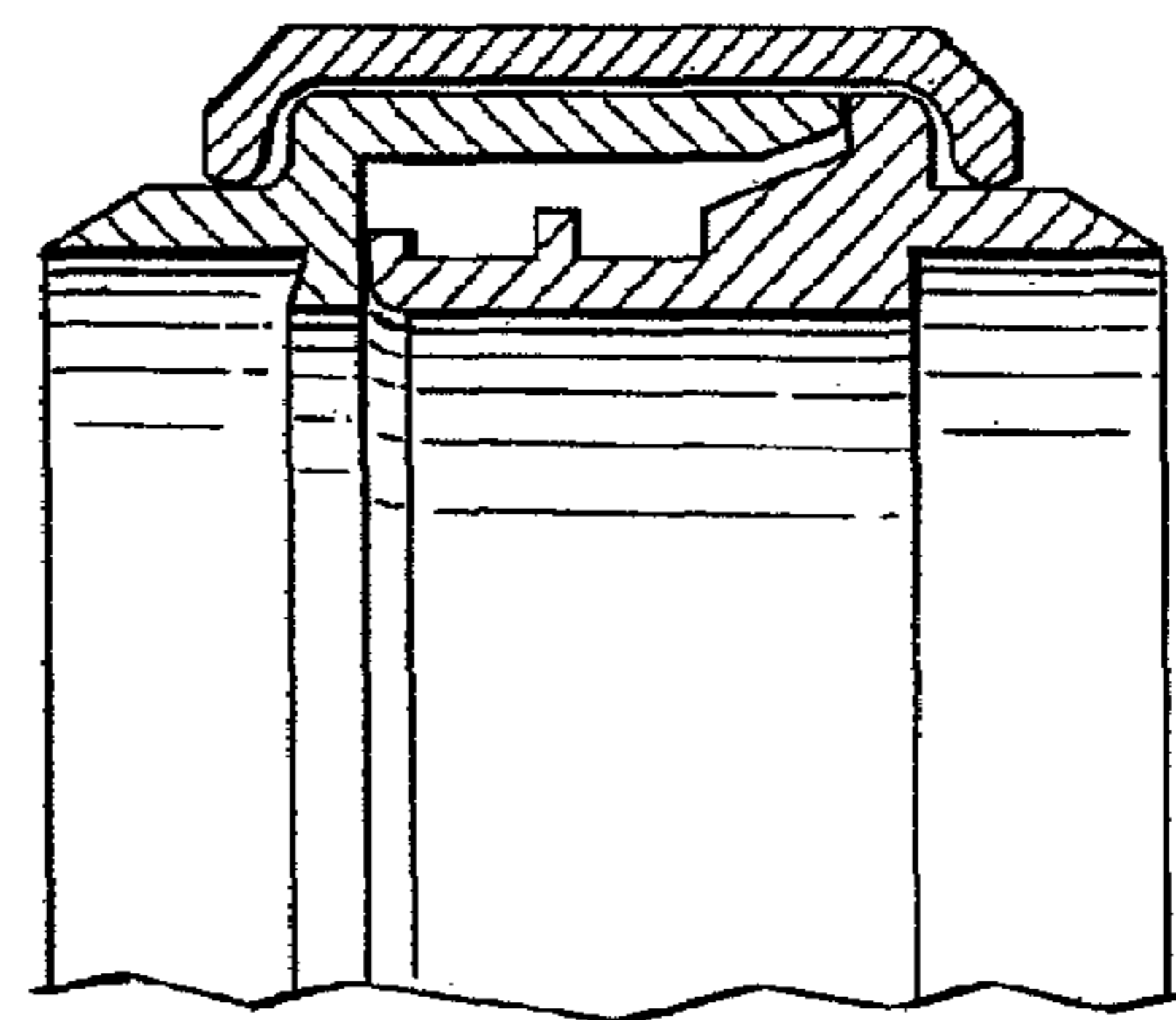


FIG. 14