



US00D576258S

(12) **United States Design Patent**  
**Ribers**

(10) **Patent No.:** **US D576,258 S**

(45) **Date of Patent:** **\*\* Sep. 2, 2008**

(54) **ADAPTER FOR A FUEL CONNECTION FOR  
A MOTOR OR TOOL**

(76) Inventor: **Kjell Ribers**, Kindstorp, S-643 92  
Vingåker (SE)

(\*\*) Term: **14 Years**

(21) Appl. No.: **29/235,862**

(22) Filed: **Aug. 8, 2005**

(30) **Foreign Application Priority Data**

Feb. 7, 2005 (SE) ..... 05-0087

(51) **LOC (8) Cl.** ..... **23-01**

(52) **U.S. Cl.** ..... **D23/262**

(58) **Field of Classification Search** ..... D23/259–269;  
285/275, 277; 251/149, 150

See application file for complete search history.

(56) **References Cited**

**U.S. PATENT DOCUMENTS**

1,989,859	A *	2/1935	Heller	.....	4/378
D185,659	S *	7/1959	Campbell	.....	D23/263
D247,182	S *	2/1978	Ebert	.....	D23/262
4,603,886	A *	8/1986	Pallini et al.	.....	285/24
4,609,209	A *	9/1986	Ralls	.....	285/24
D287,396	S *	12/1986	Shemtov	.....	D23/269
5,213,309	A *	5/1993	Makishima	.....	251/149.6
D344,242	S *	2/1994	Weise et al.	.....	D10/80
D352,770	S *	11/1994	Lopez	.....	D23/259
D362,902	S *	10/1995	Reiber	.....	D23/269
5,937,885	A *	8/1999	Sampson	.....	137/1
6,676,170	B2 *	1/2004	Ou et al.	.....	285/281
D517,667	S *	3/2006	Sener et al.	.....	D23/262
7,021,672	B2 *	4/2006	Ericksen et al.	.....	285/181
7,174,914	B2 *	2/2007	Ooishi et al.	.....	137/614.03

\* cited by examiner

*Primary Examiner*—Louis S Zarfaz  
*Assistant Examiner*—Eric L Goodman

(74) *Attorney, Agent, or Firm*—Ostrolenk, Faber, Gerb &  
Soffen, LLP

(57) **CLAIM**

The ornamental design for an adapter for a fuel connection for  
a motor or tool, as shown and described.

**DESCRIPTION**

FIG. 1 is a top side perspective view of an adapter for a fuel  
connection for a motor or tool showing my new design;

FIG. 2 is a bottom perspective view from another side thereof;

FIG. 3 is a top view thereof;

FIG. 4 is a side view thereof;

FIG. 5 is a bottom view thereof;

FIG. 6 is a top perspective view of a first part of the adapter  
removed from the second part for ease of illustration;

FIG. 7 is a bottom perspective view thereof from another side;

FIG. 8 is a top view thereof;

FIG. 9 is a side view thereof;

FIG. 10 is another side view thereof;

FIG. 11 is a top perspective view of a second part of the  
adapter removed from the first part for ease of illustration;

FIG. 12 is a bottom perspective view thereof from another  
side;

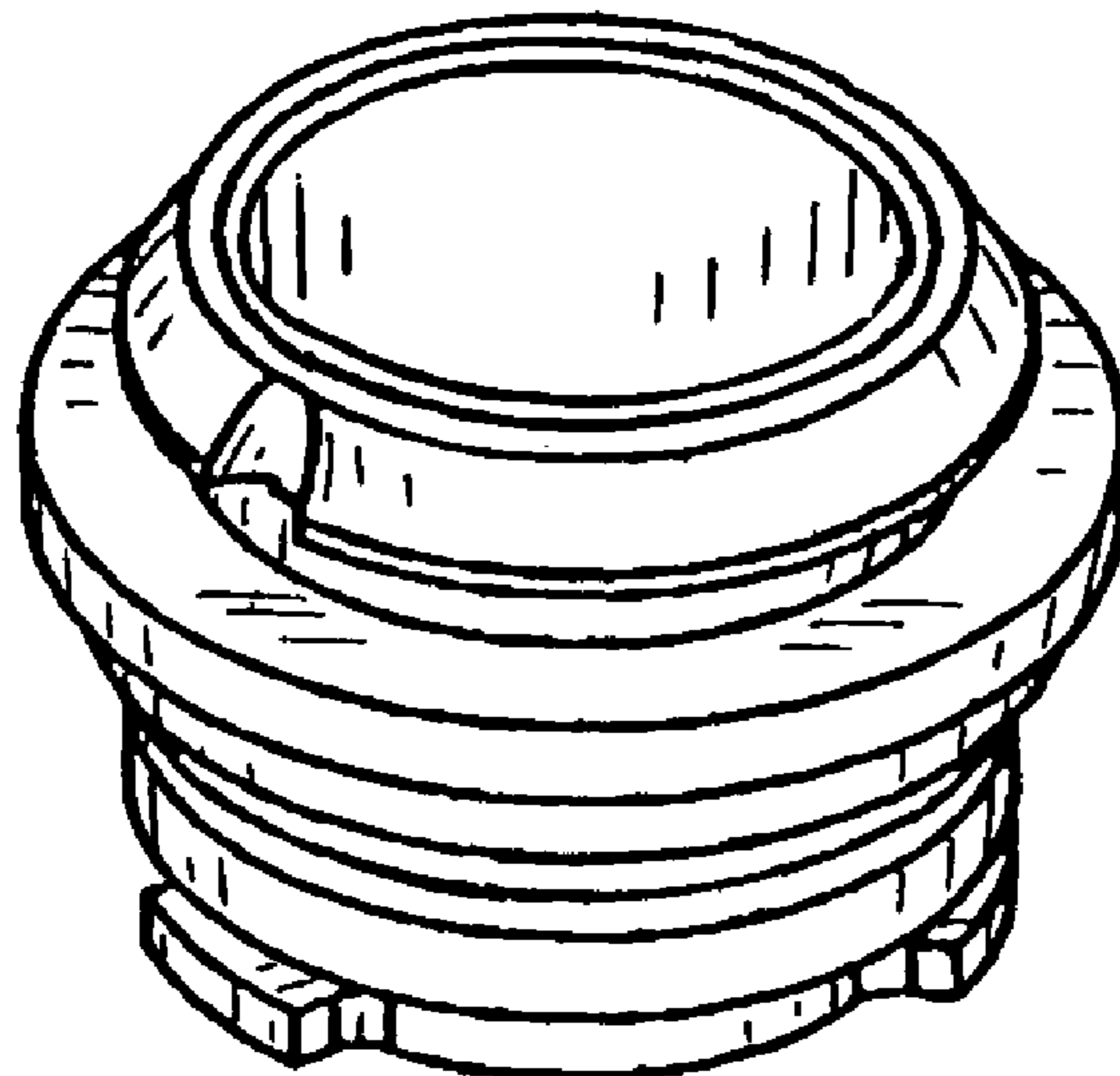
FIG. 13 is a top view thereof;

FIG. 14 is a side view thereof;

FIG. 15 is a bottom view thereof; and,

FIG. 16 is another side view thereof.

**1 Claim, 3 Drawing Sheets**



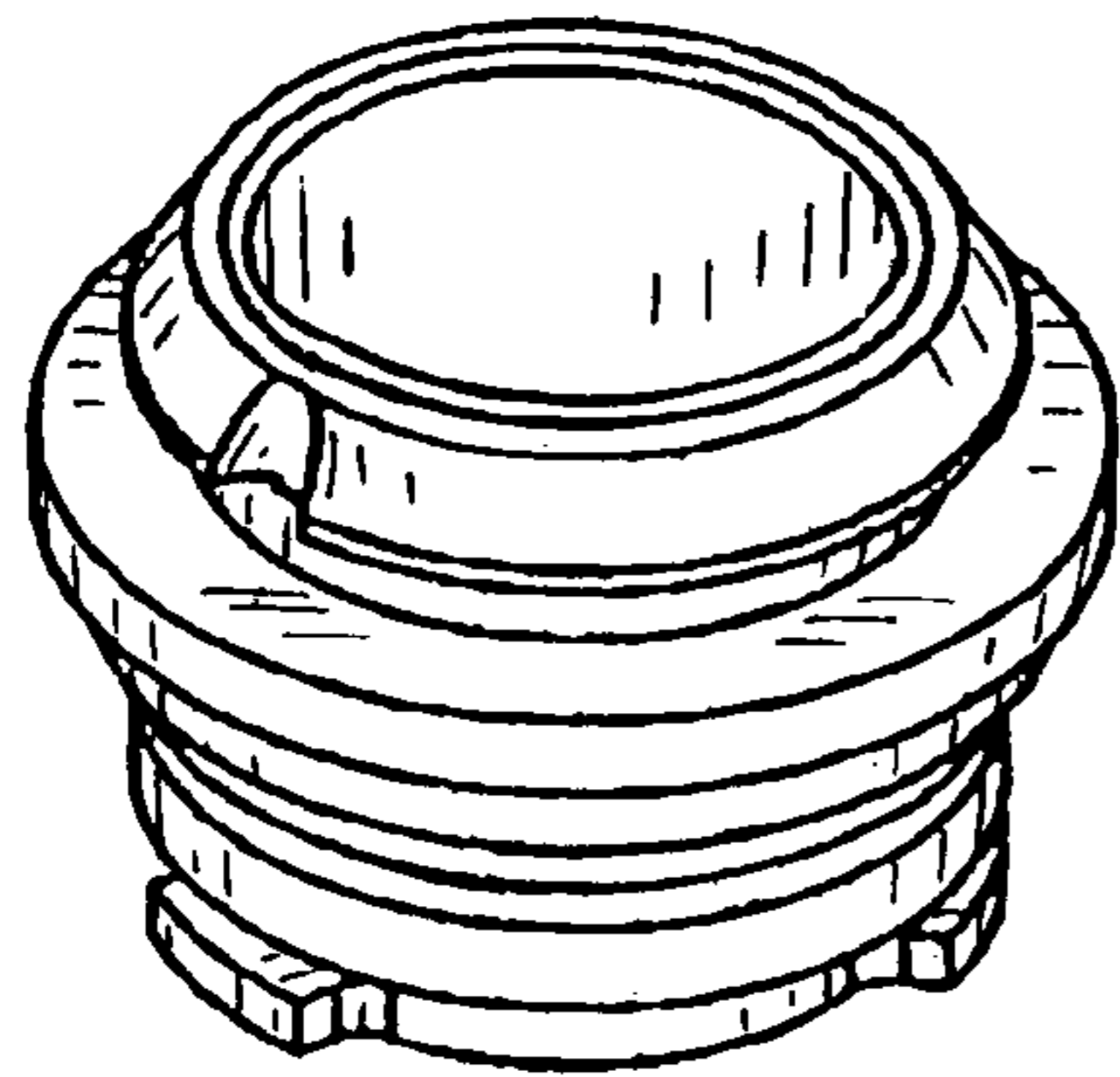


FIG. 1

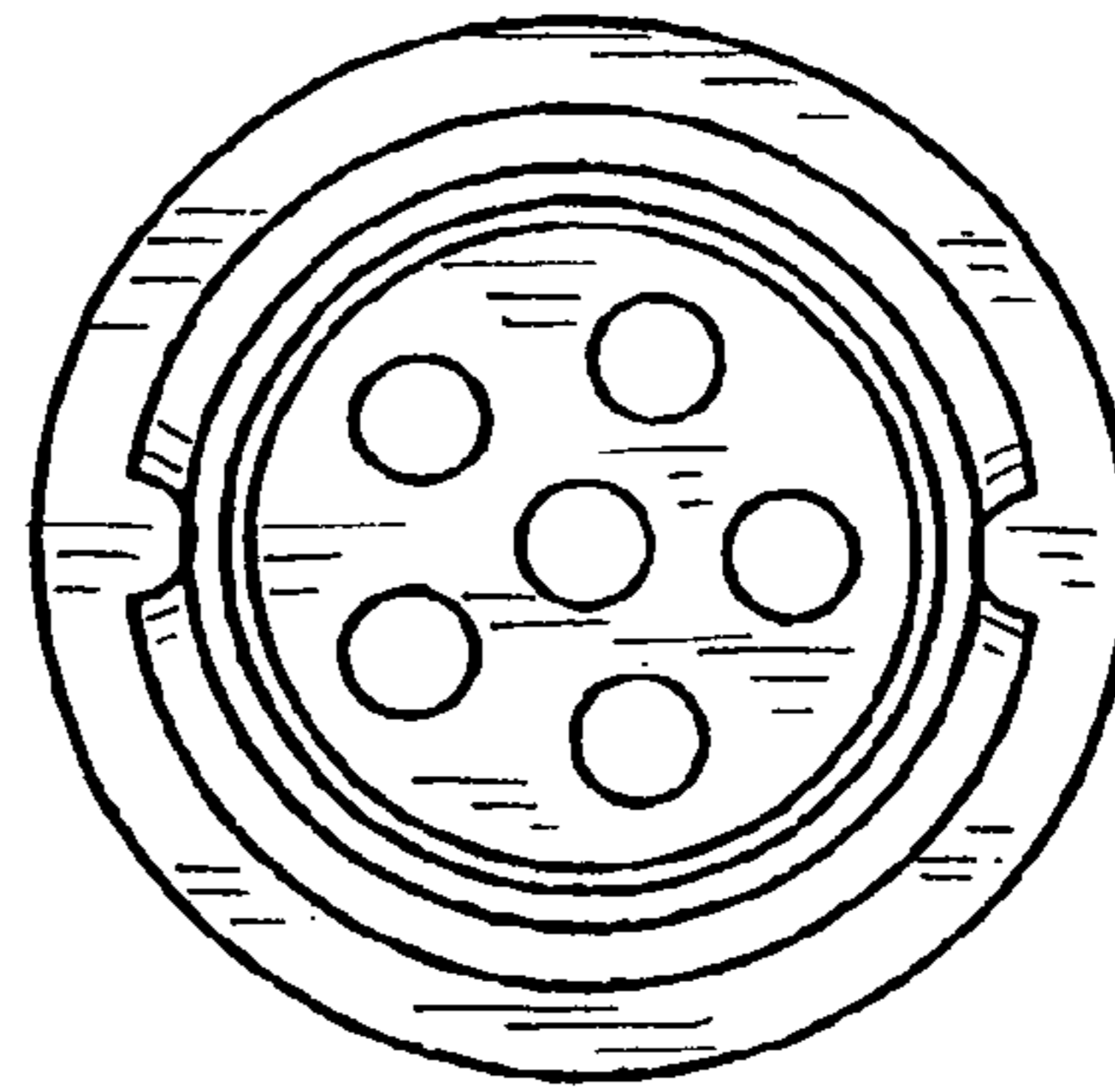


FIG. 3

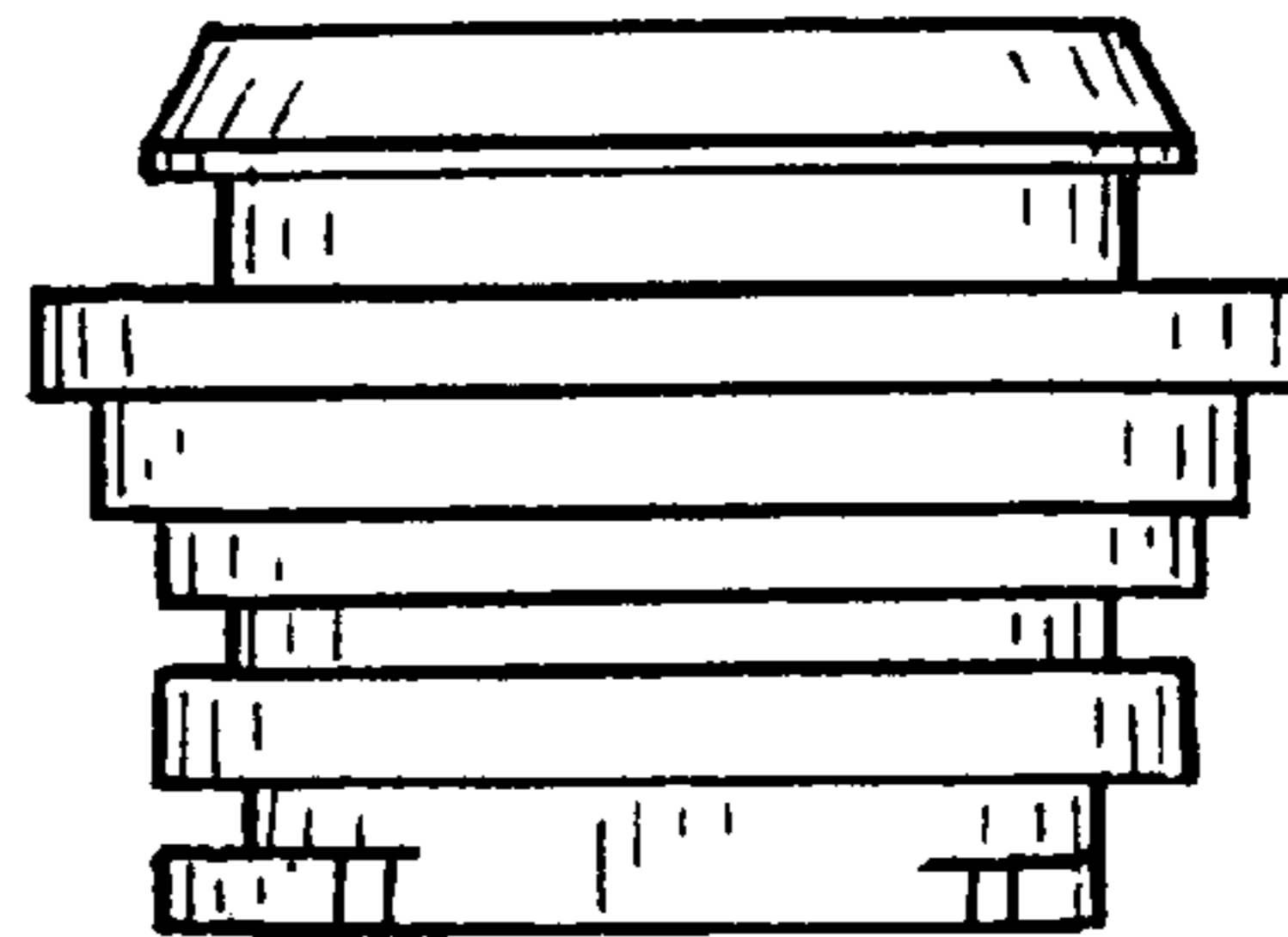


FIG. 4

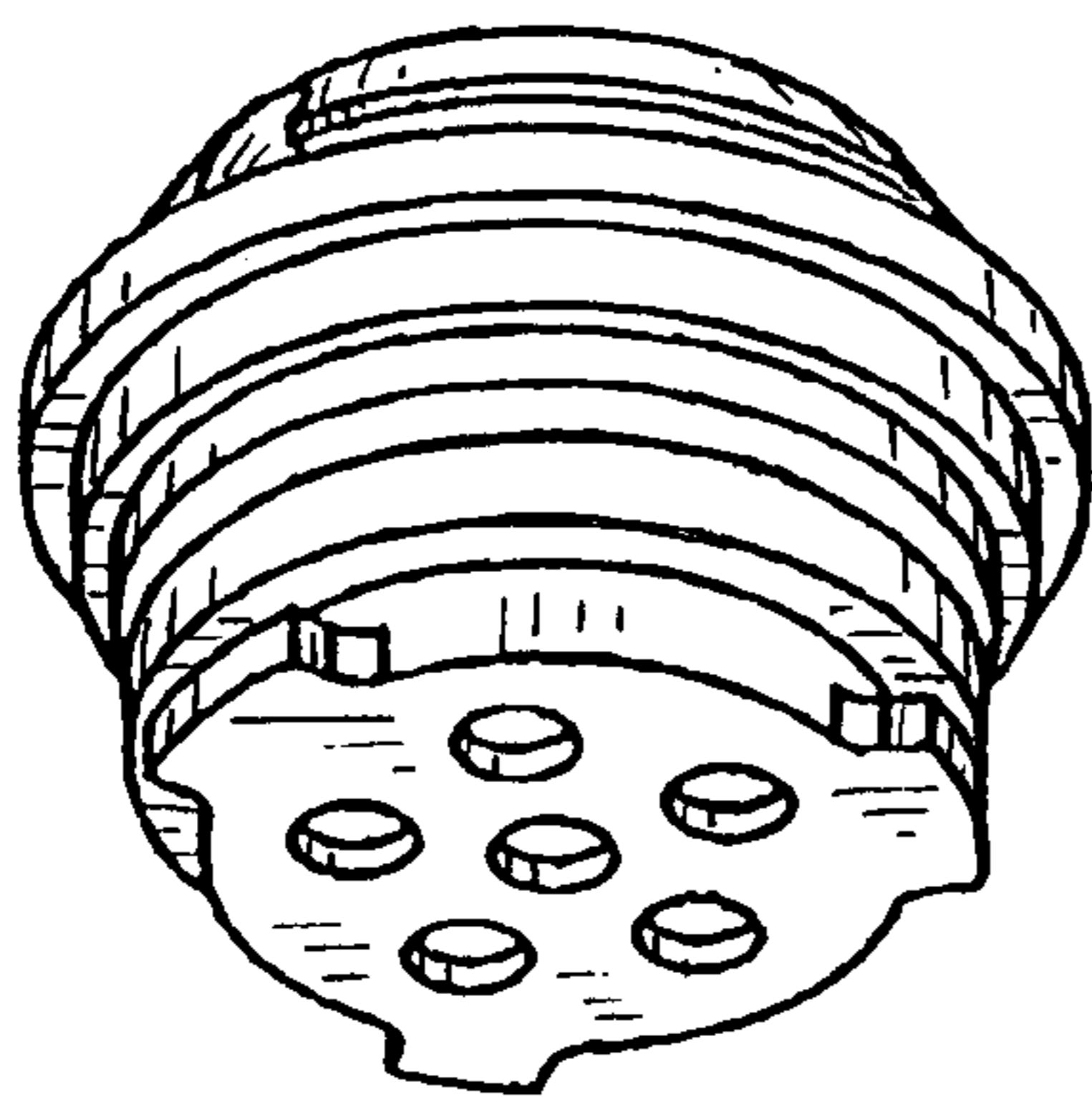


FIG. 2

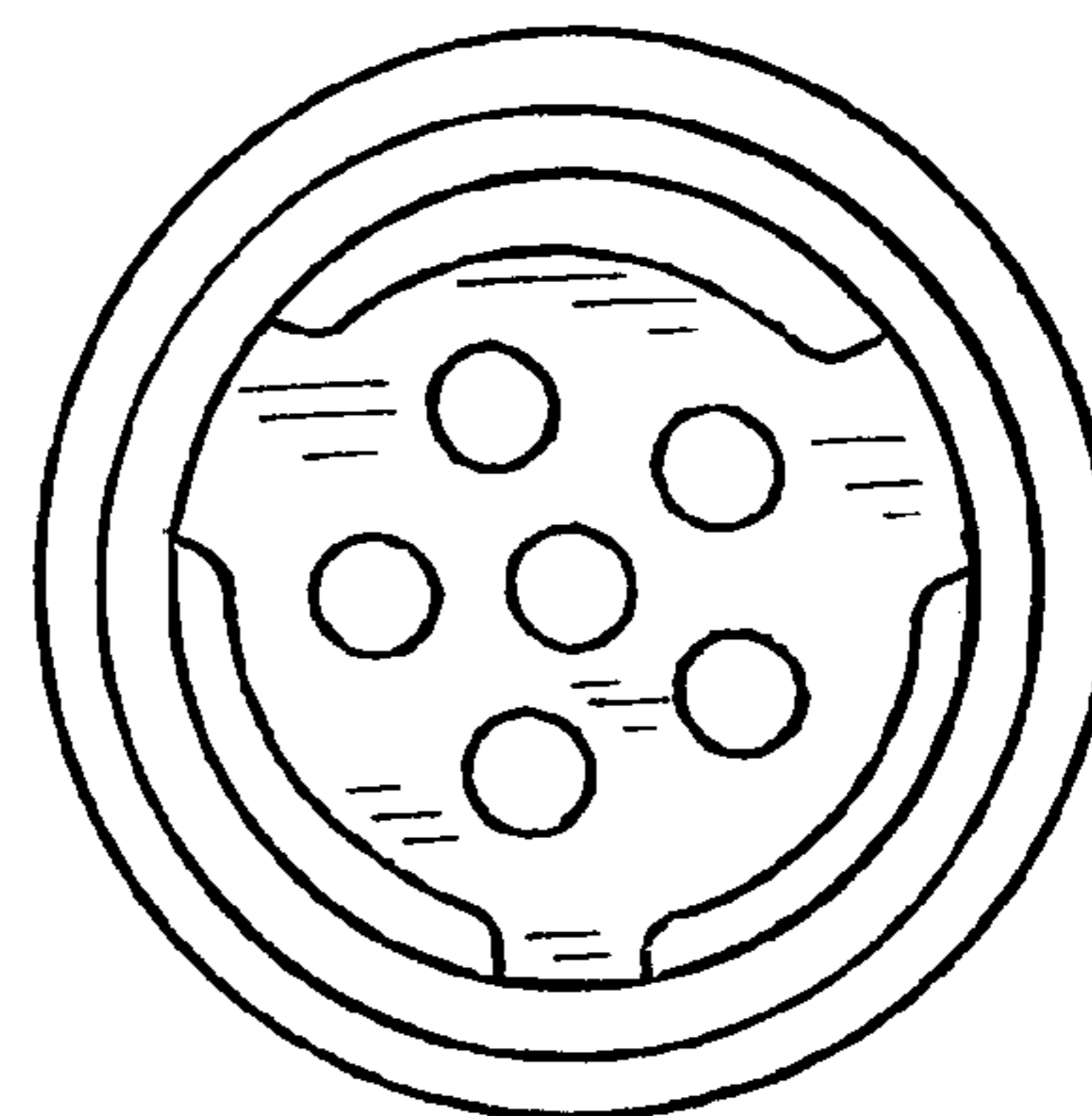


FIG. 5

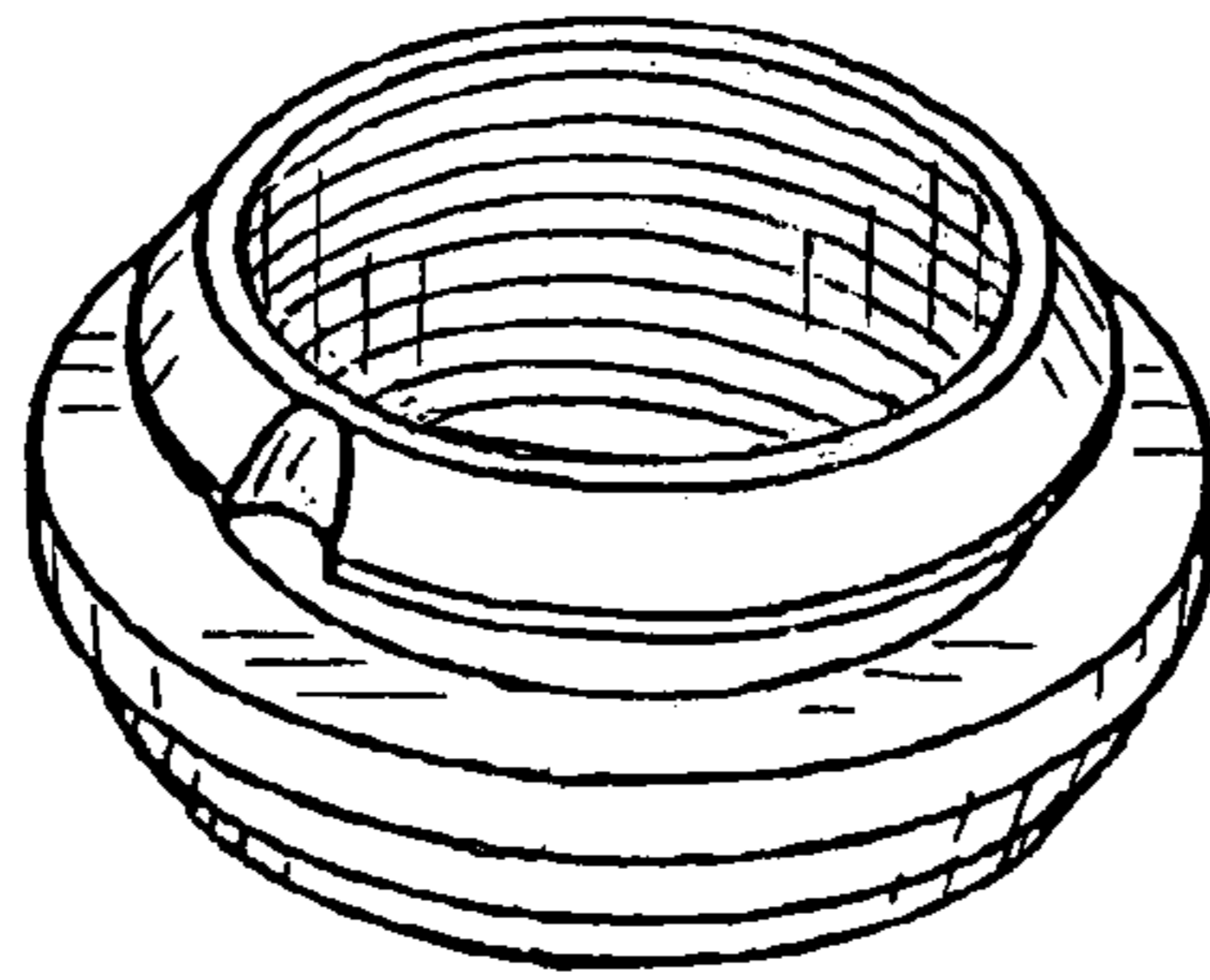


FIG. 6

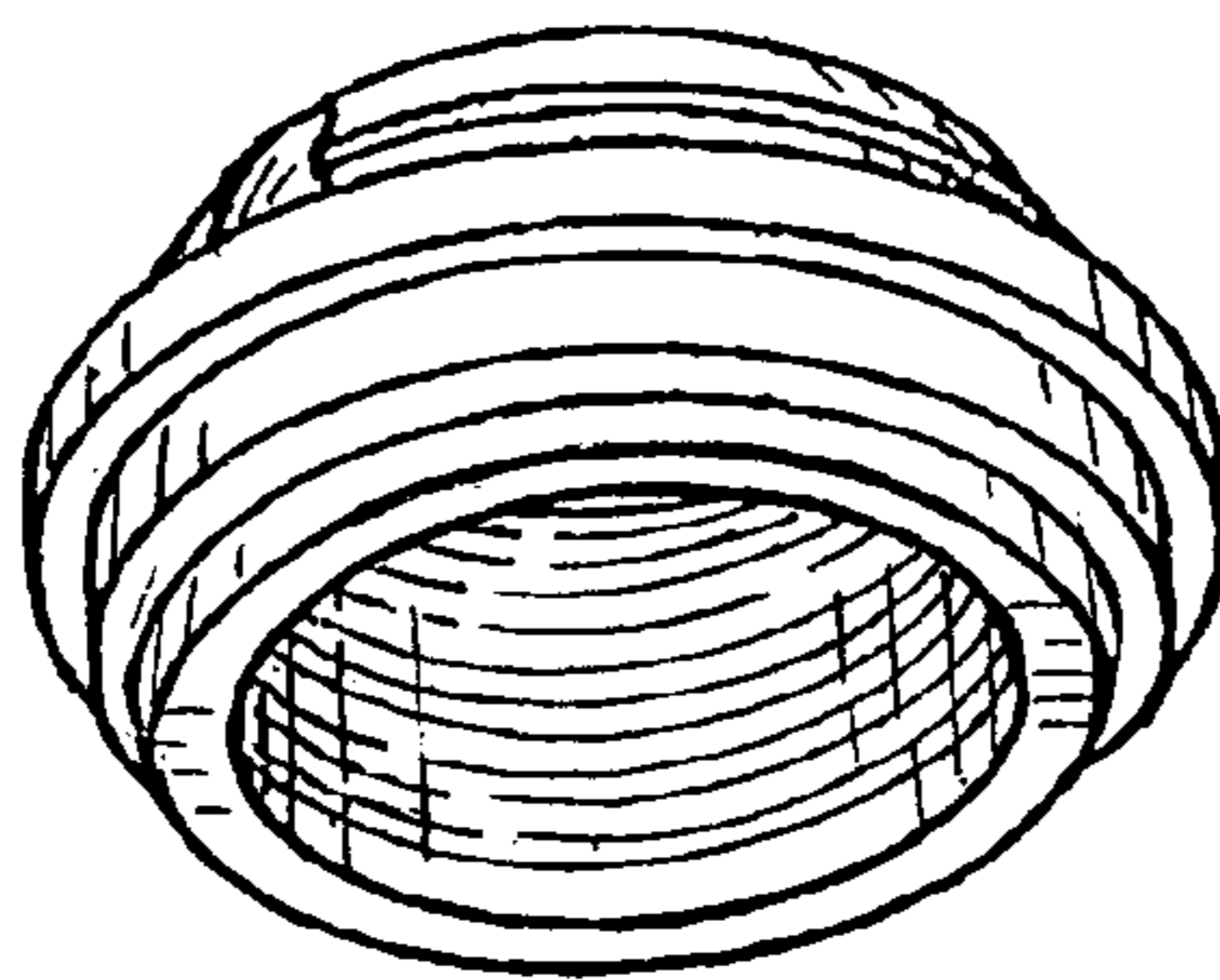


FIG. 7

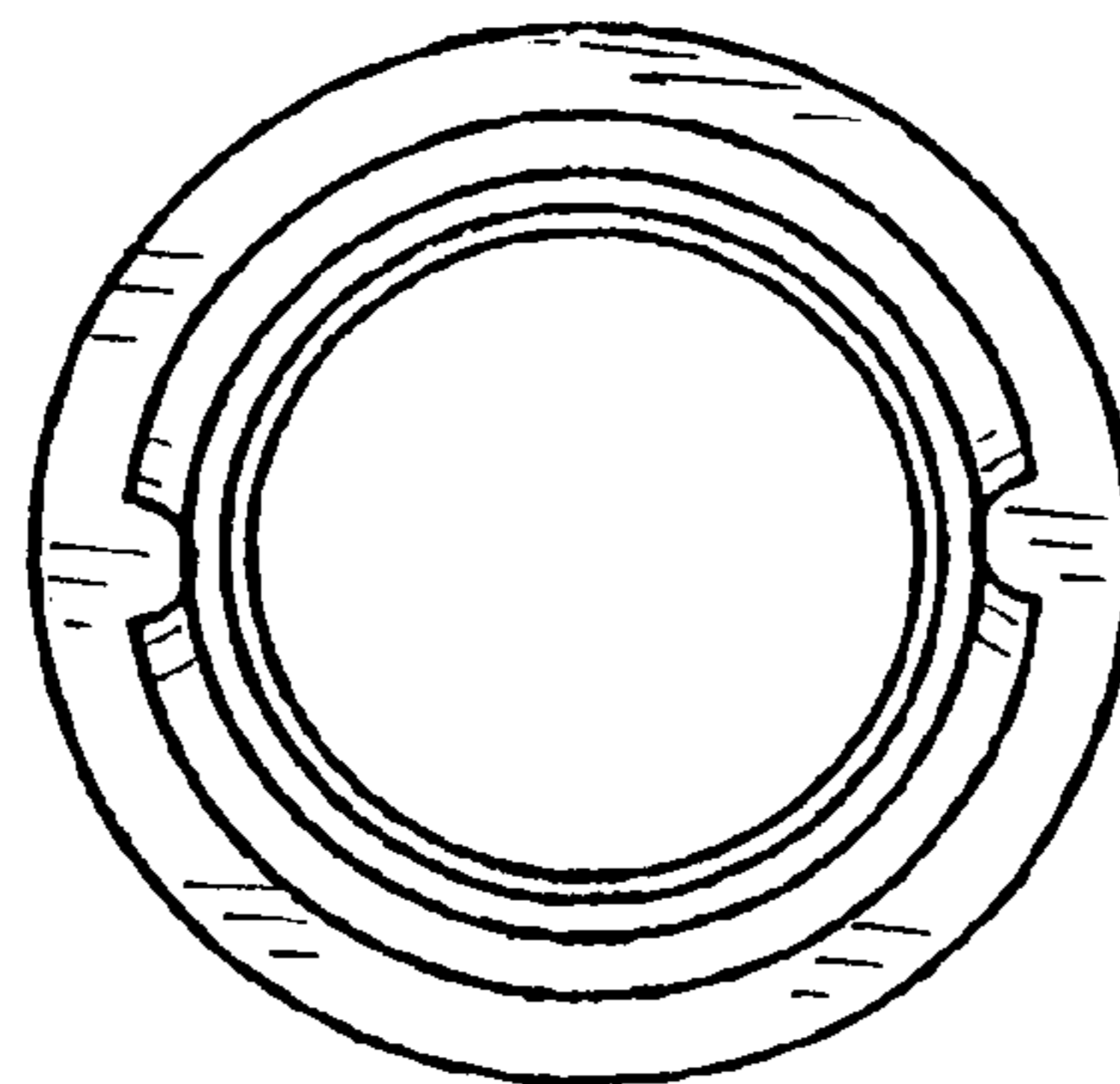


FIG. 8

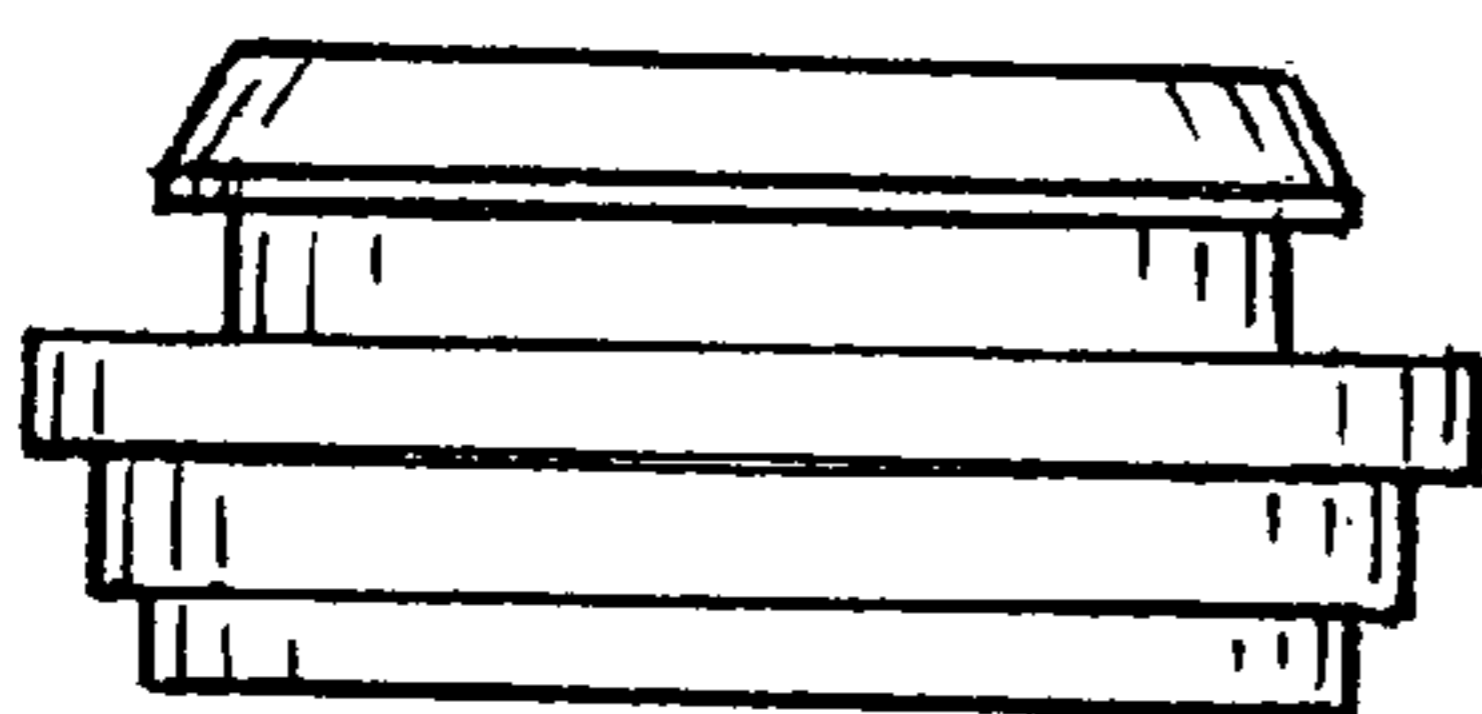


FIG. 9

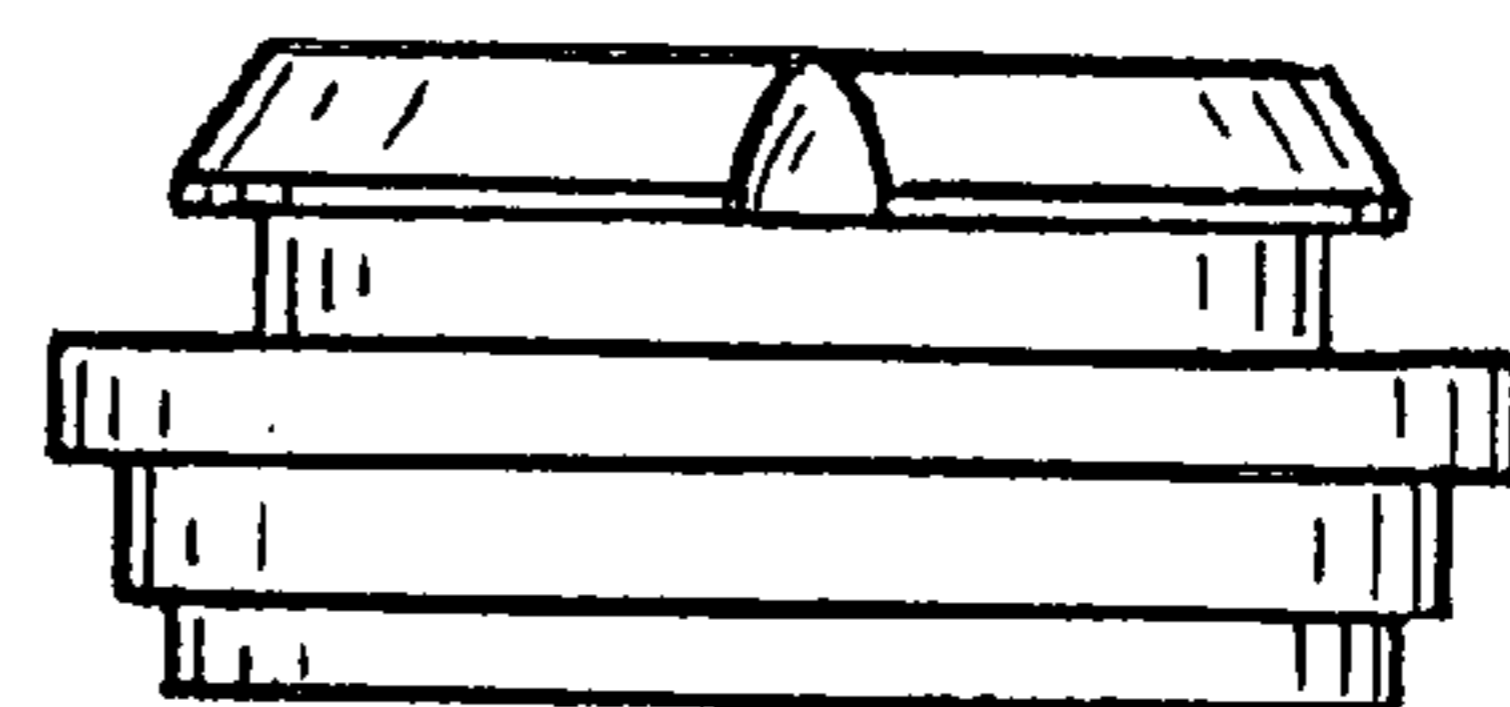


FIG. 10

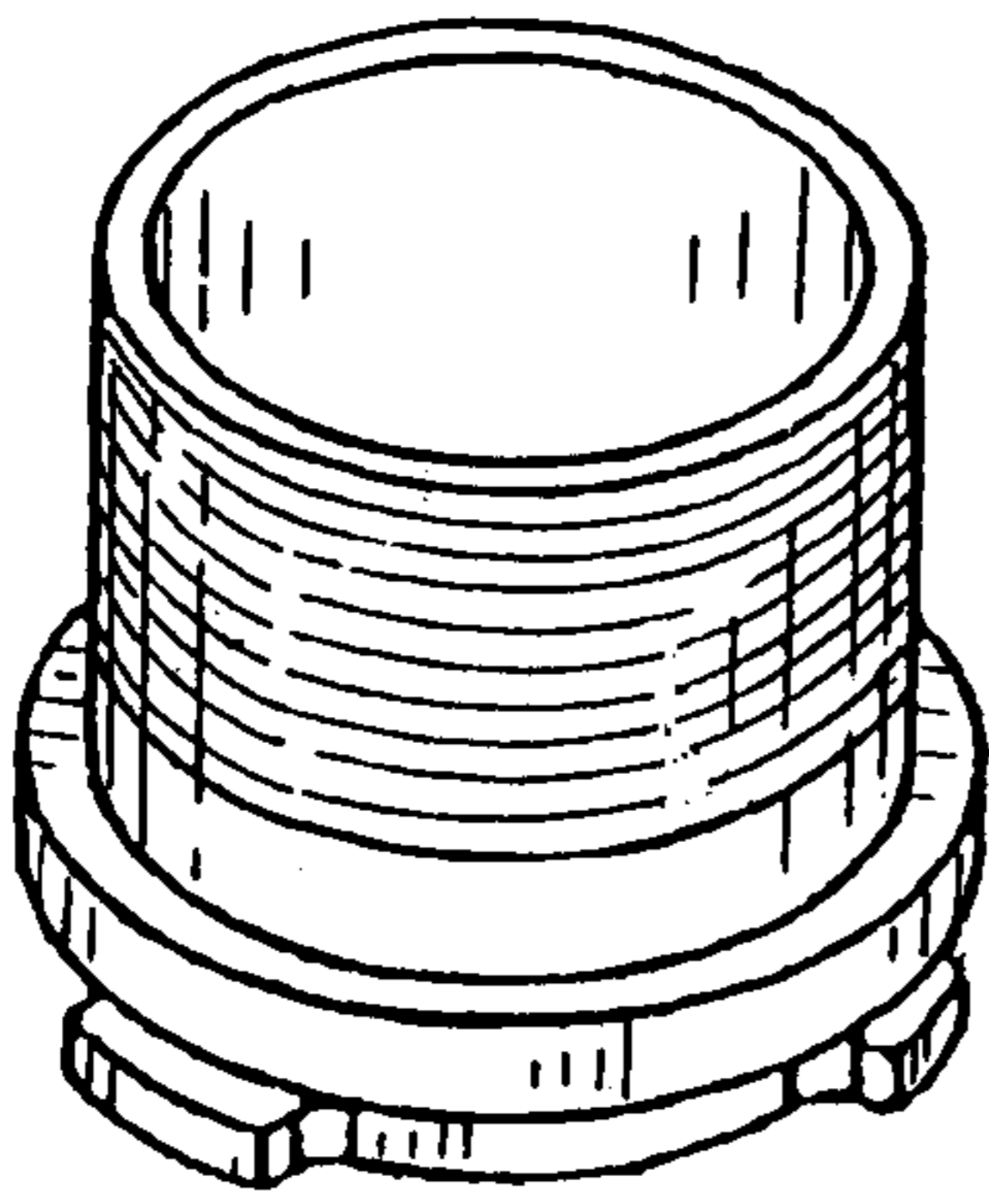


FIG. 11

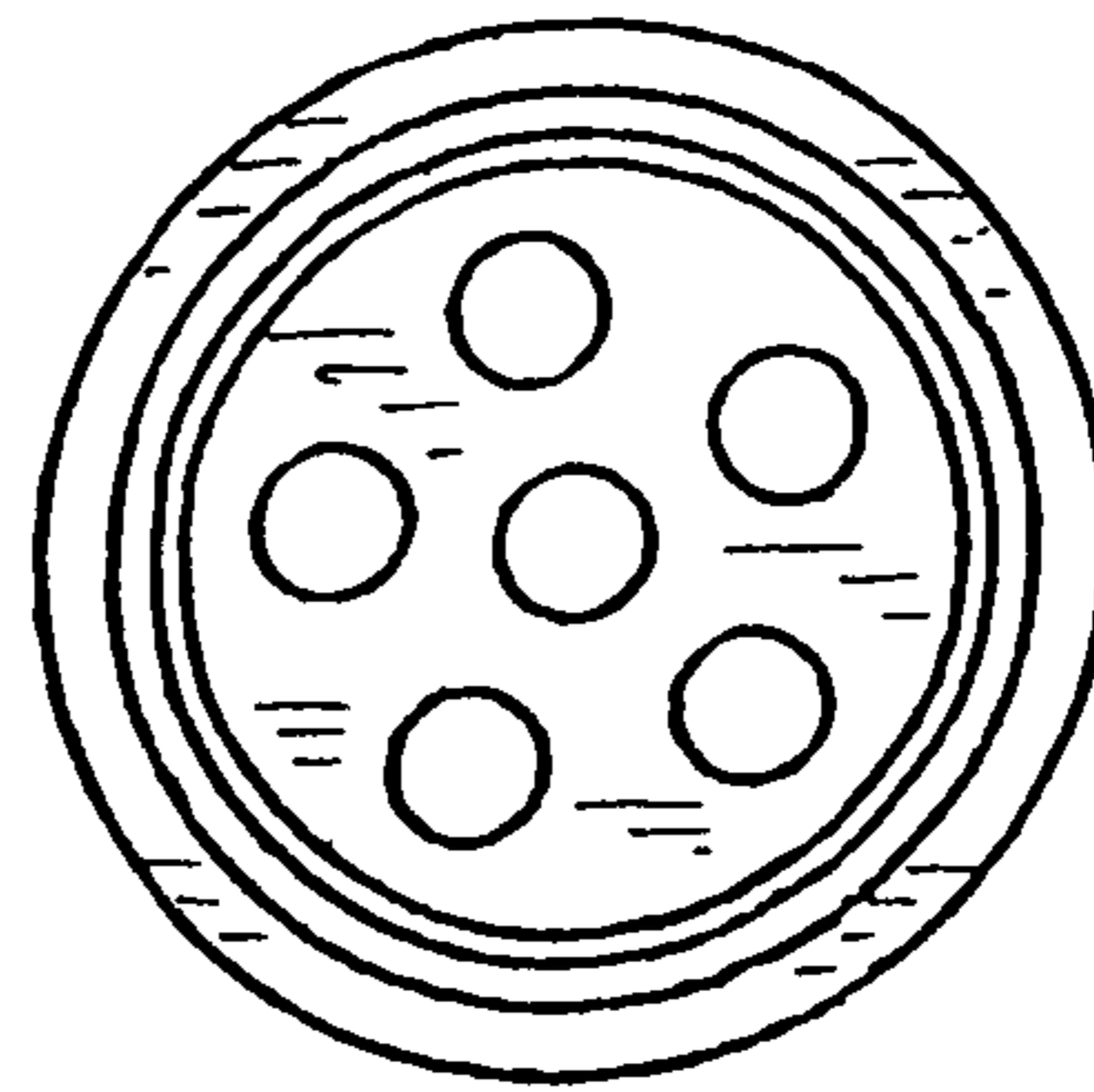


FIG. 13

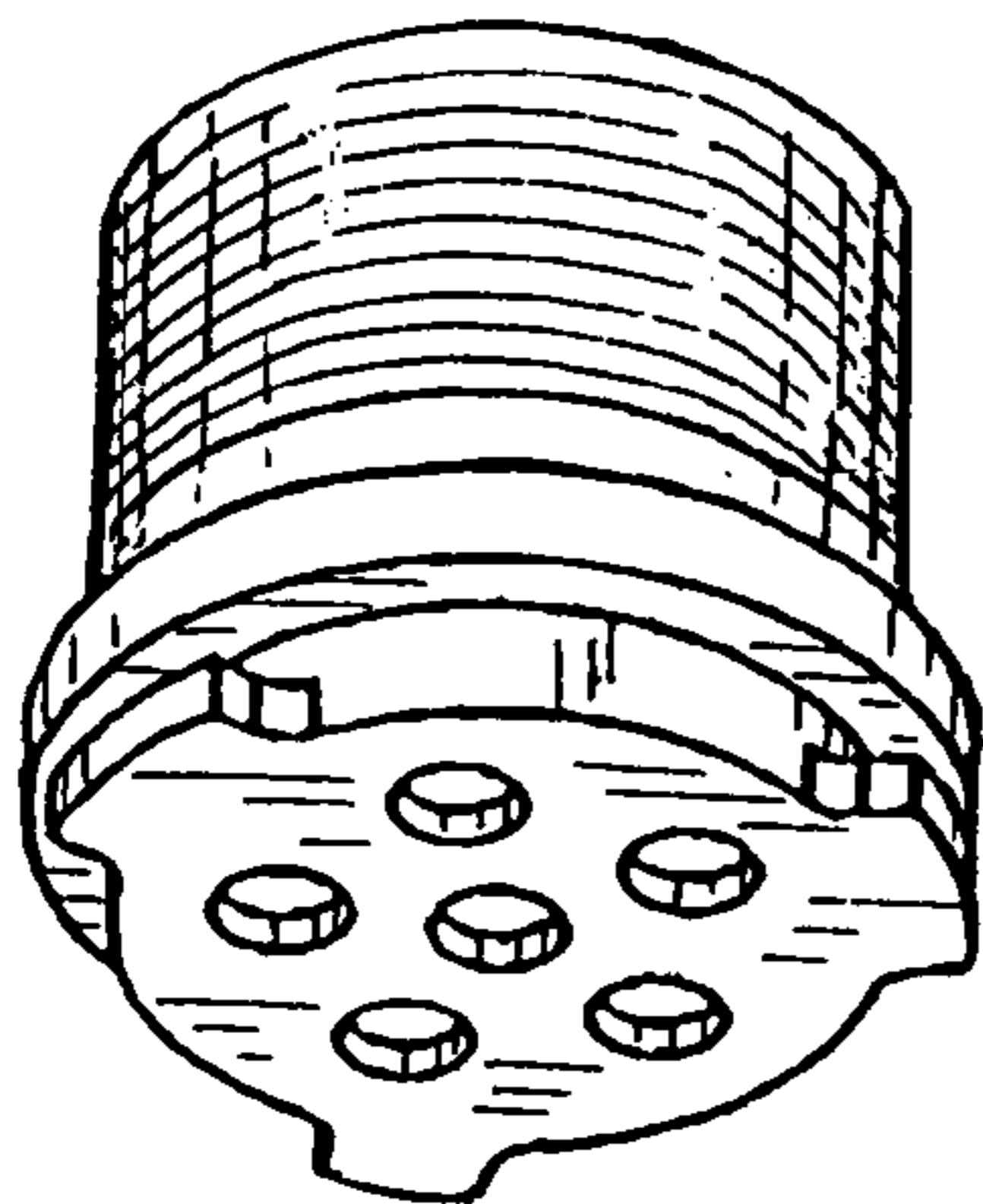


FIG. 12

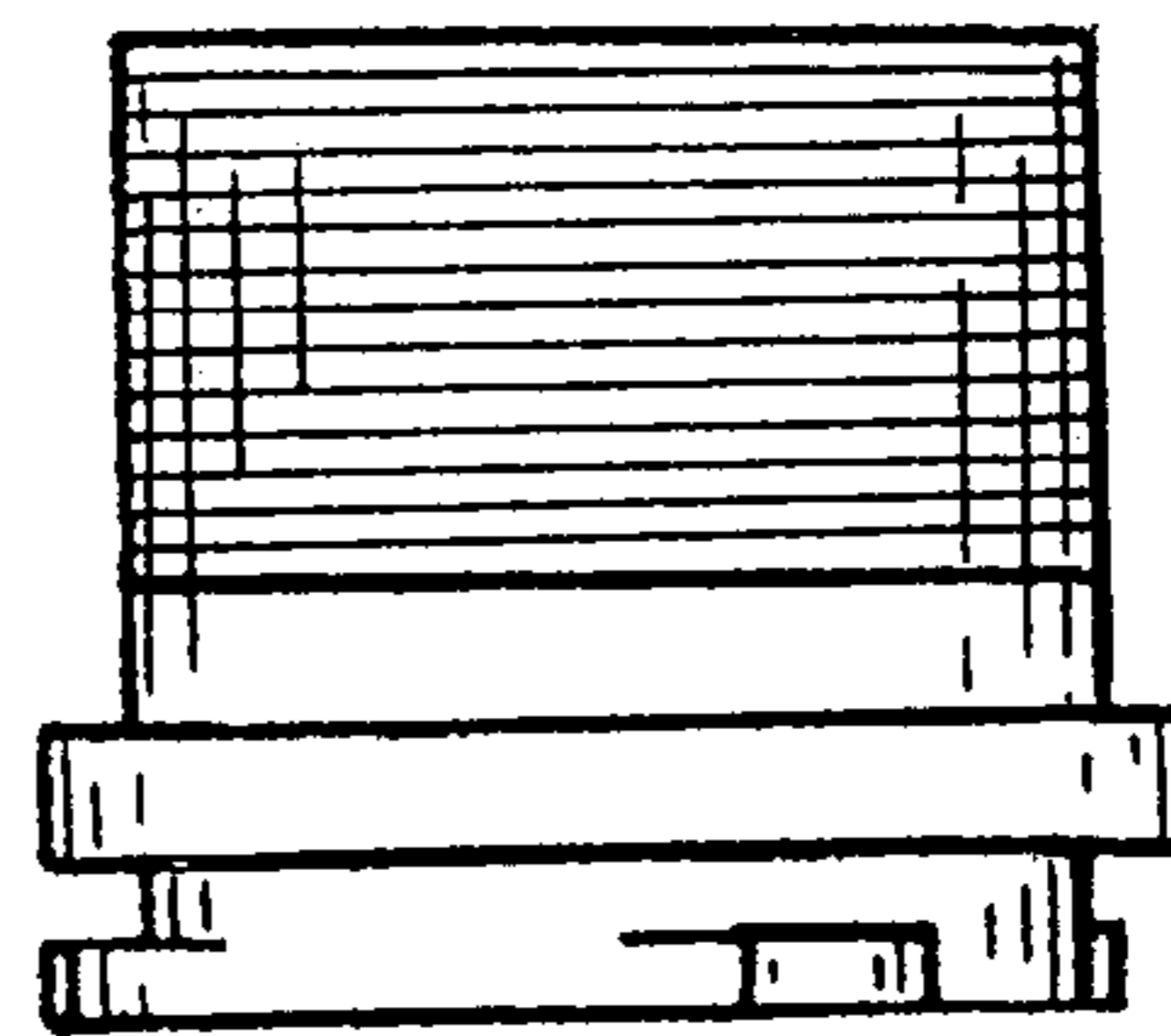


FIG. 14

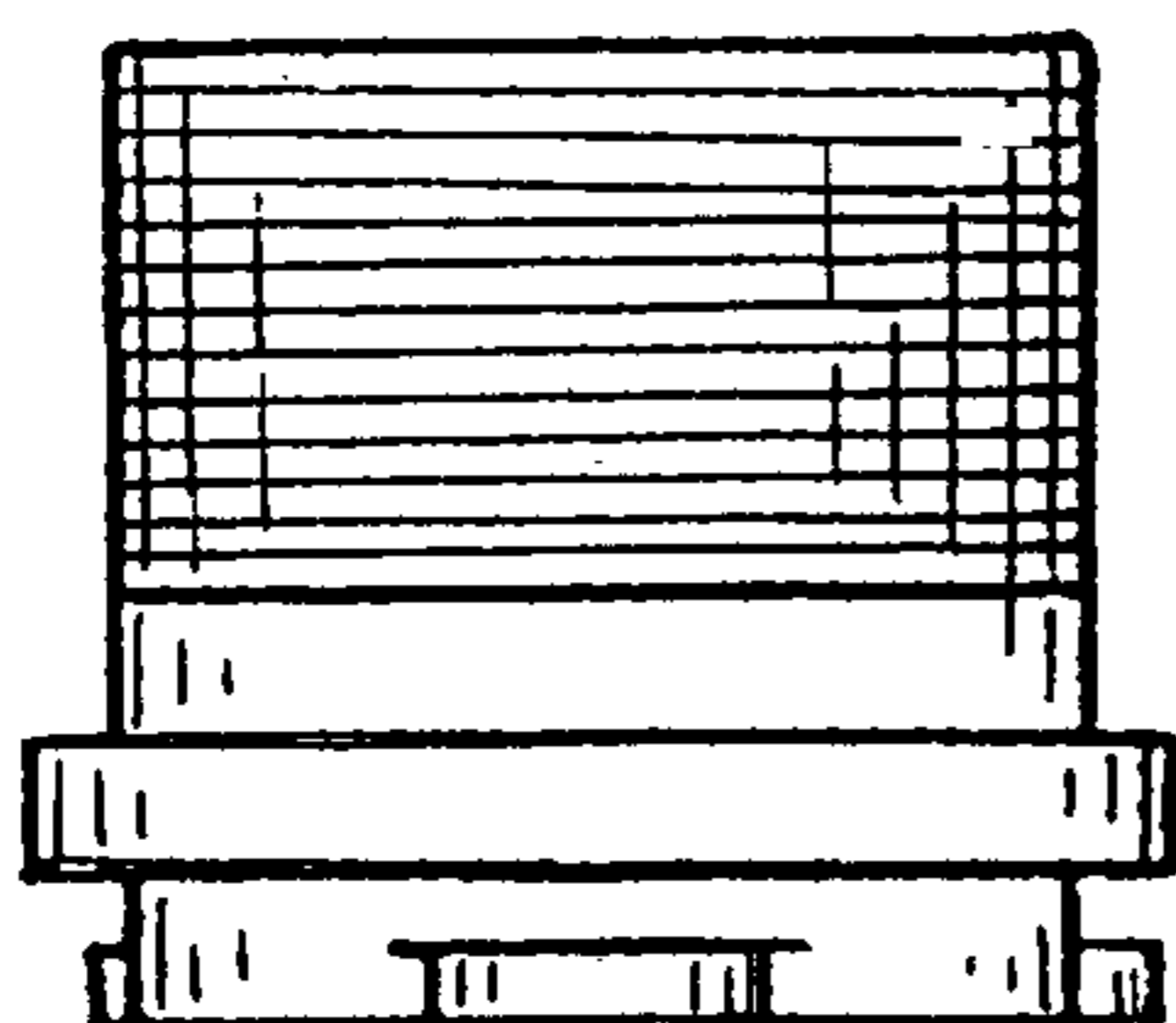


FIG. 16

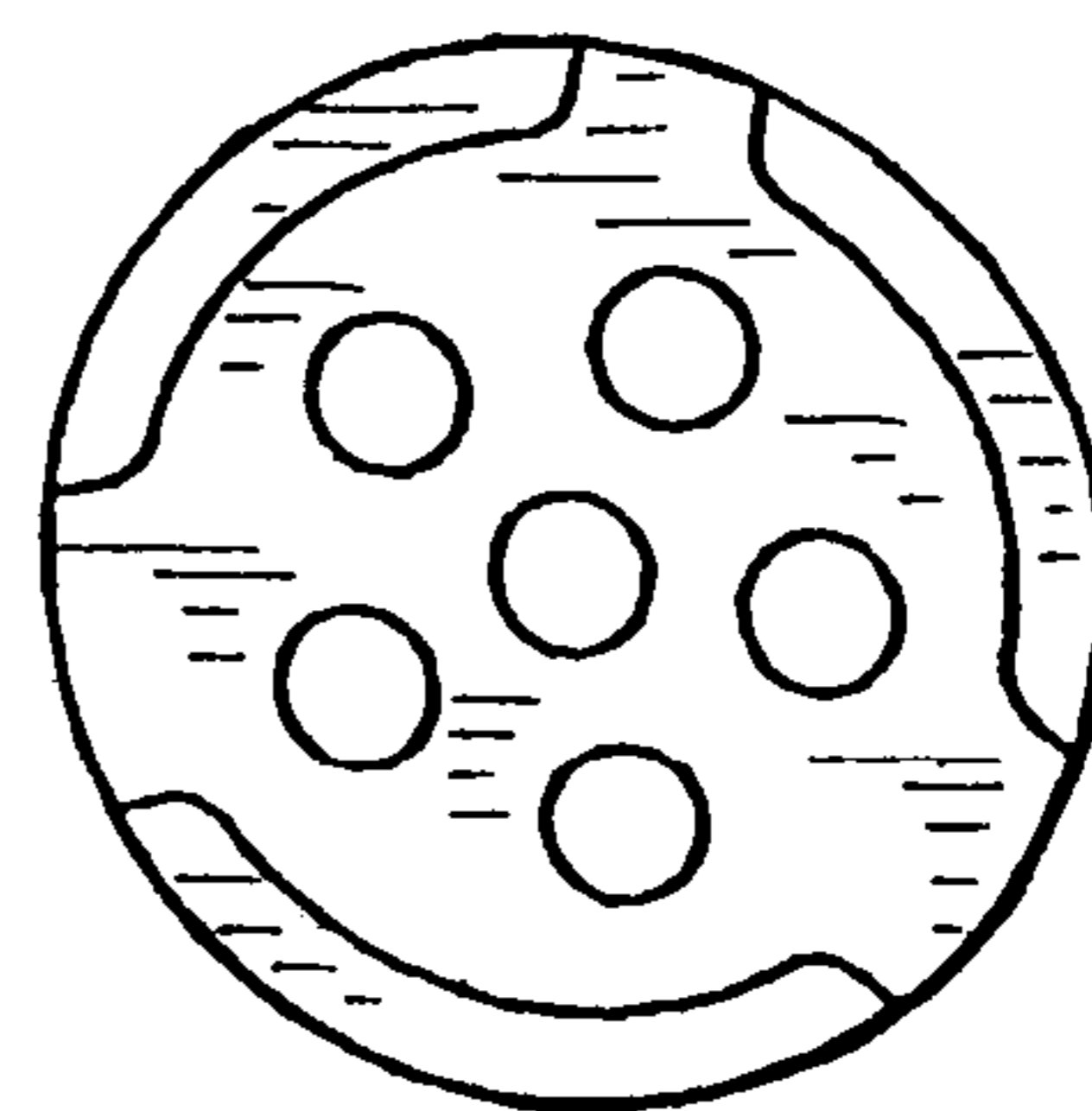


FIG. 15