



US00D576257S

(12) **United States Design Patent**  
**Rattenbury**

(10) **Patent No.:** **US D576,257 S**

(45) **Date of Patent:** **\*\* Sep. 2, 2008**

(54) **SIPHONIC ROOF DRAIN**

(75) Inventor: **John M. Rattenbury**, Cohasset, MA  
(US)

(73) Assignee: **Rainwater Management Solutions**,  
Salem, VA (US)

(\*\*) Term: **14 Years**

(21) Appl. No.: **29/298,076**

(22) Filed: **Nov. 28, 2007**

(51) **LOC (8) Cl.** ..... **23-01**

(52) **U.S. Cl.** ..... **D23/260**

(58) **Field of Classification Search** ..... D23/259-269;  
52/12, 302.7; 4/286; 285/42; 210/163  
See application file for complete search history.

(56) **References Cited**

**U.S. PATENT DOCUMENTS**

1,761,257	A *	6/1930	Wells	.....	210/166
1,791,512	A	2/1931	Schurman		
2,142,343	A *	1/1939	Boosey	.....	210/166
2,689,017	A	9/1954	Schmid		
2,837,212	A	6/1958	Schmid		
3,357,561	A	12/1967	Schmid et al.		
3,469,698	A	9/1969	Blendermann		
4,112,691	A	9/1978	Ebeling et al.		
4,652,365	A	3/1987	Ebeling		
D318,101	S *	7/1991	Rodgers	.....	D23/259
5,469,670	A *	11/1995	Thaler	.....	52/12
5,722,791	A *	3/1998	Dallmer	.....	405/52
5,735,091	A *	4/1998	Hawkins et al.	.....	52/302.7
5,966,884	A	10/1999	Uglow		

D460,810	S *	7/2002	Sommerhein	.....	D23/261
7,011,746	B2	3/2006	Bockmann		
2003/0141231	A1	7/2003	Rattenbury et al.		
2004/0182763	A1	9/2004	Bockmann		

**FOREIGN PATENT DOCUMENTS**

GB	2 269 402	2/1994
GB	2 354 014	3/2001

\* cited by examiner

*Primary Examiner*—Louis S Zarfaz

*Assistant Examiner*—Eric L Goodman

(74) *Attorney, Agent, or Firm*—Charles S. Sara, Esq.; Dewitt  
Ross & Stevens S.C.

(57) **CLAIM**

The ornamental design for a siphonic roof drain, as shown and described.

**DESCRIPTION**

FIG. 1 is a perspective view of a siphonic roof drain embodying my new design;

FIG. 2 is a front elevational view thereof.

FIG. 3 is a rear elevational view thereof.

FIG. 4 is a first side elevational view thereof.

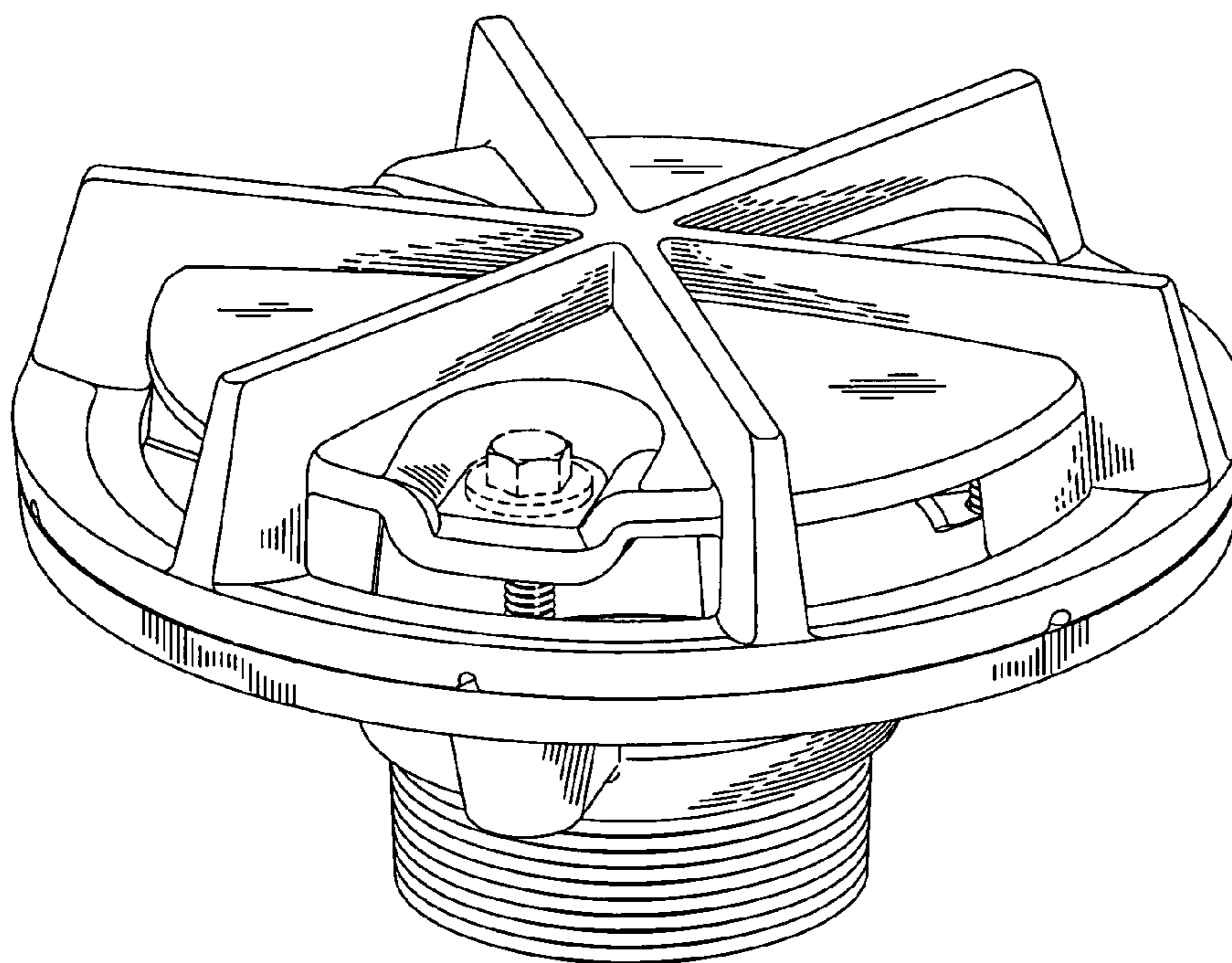
FIG. 5 is a second side elevational view thereof.

FIG. 6 is a top plan view thereof; and,

FIG. 7 is a bottom plan view thereof.

The broken line shown is for illustrative purposes only and forms no part of the claimed design.

**1 Claim, 4 Drawing Sheets**



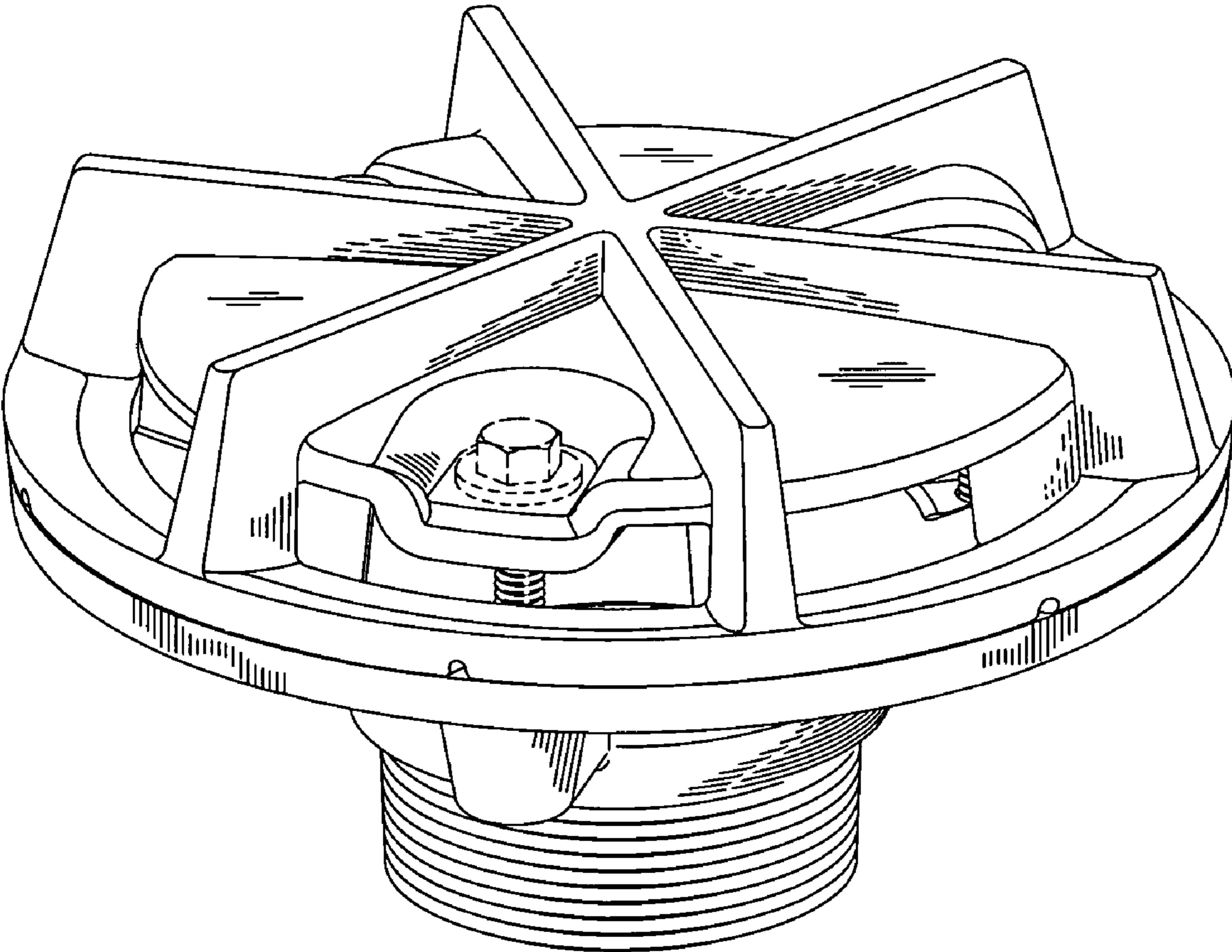


FIG. 1

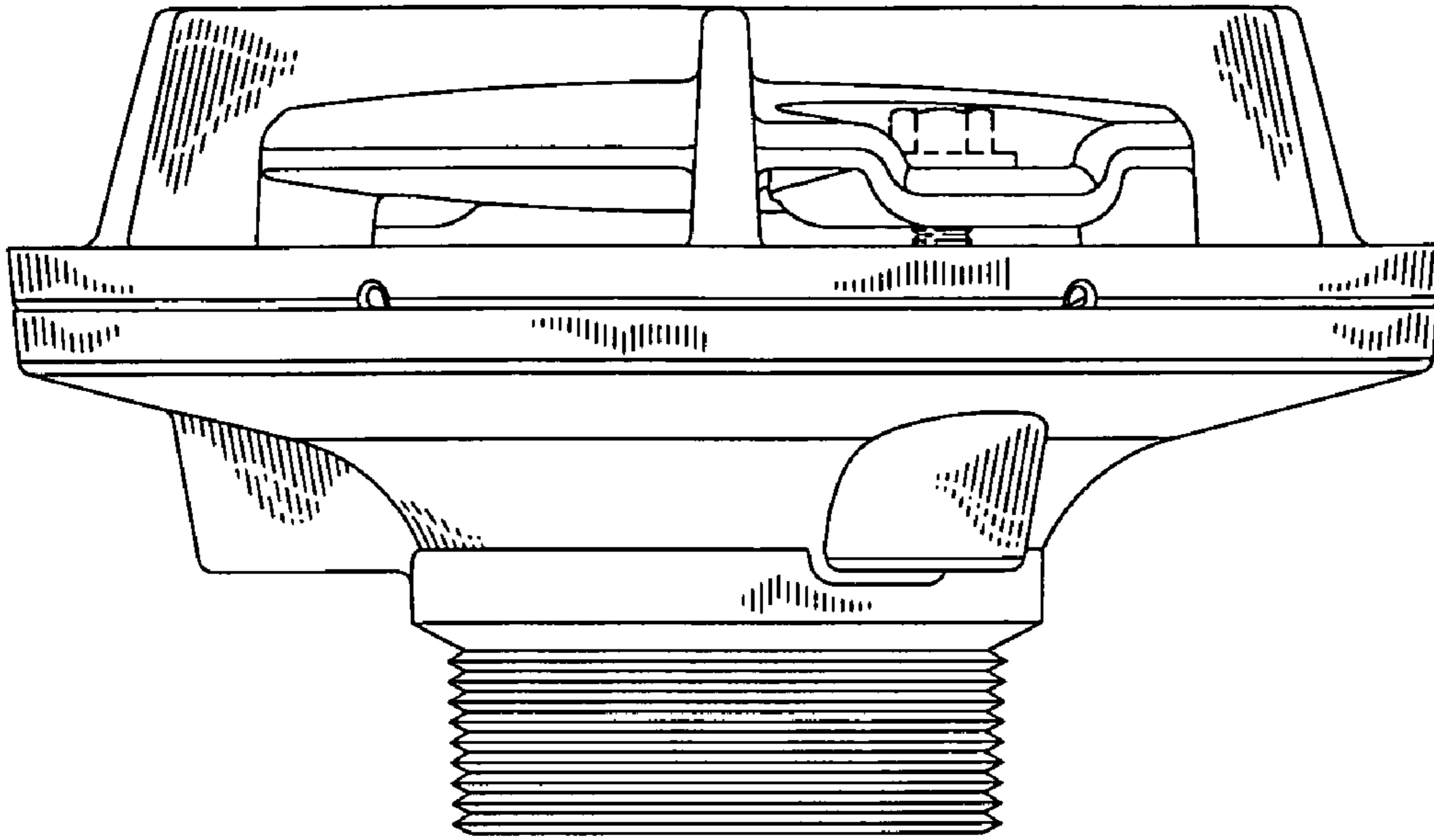


FIG. 2

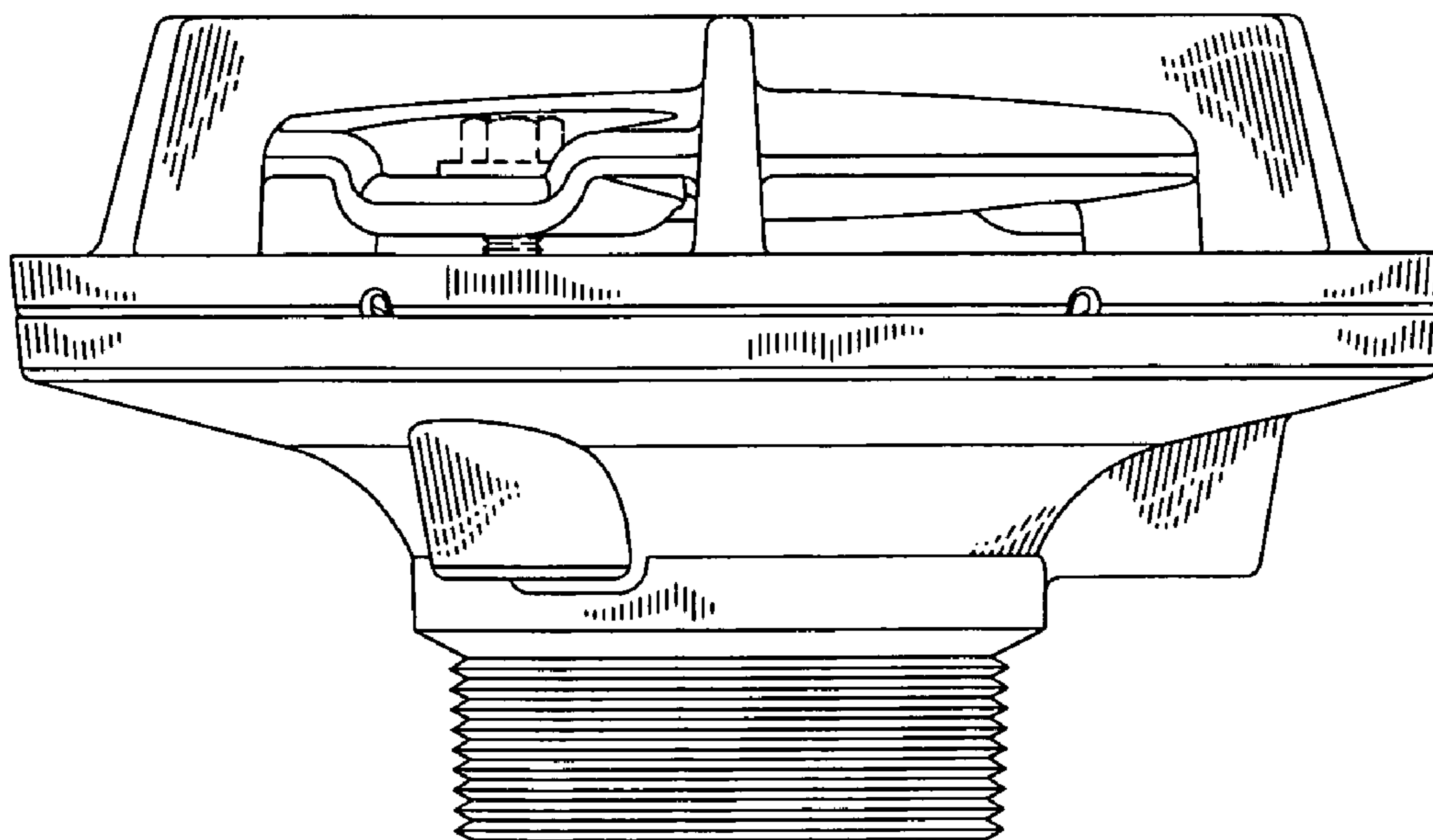


FIG. 3

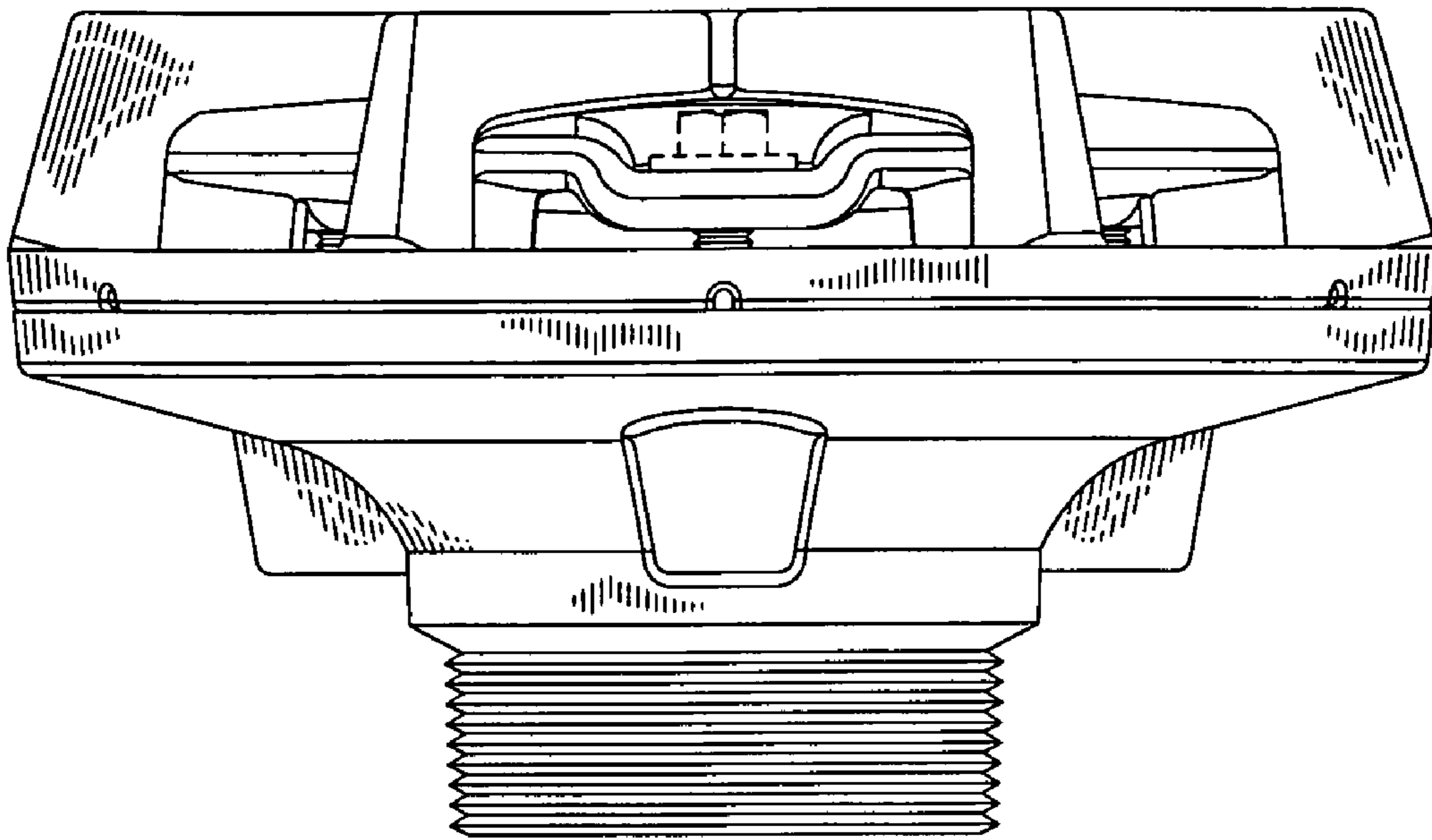


FIG. 4

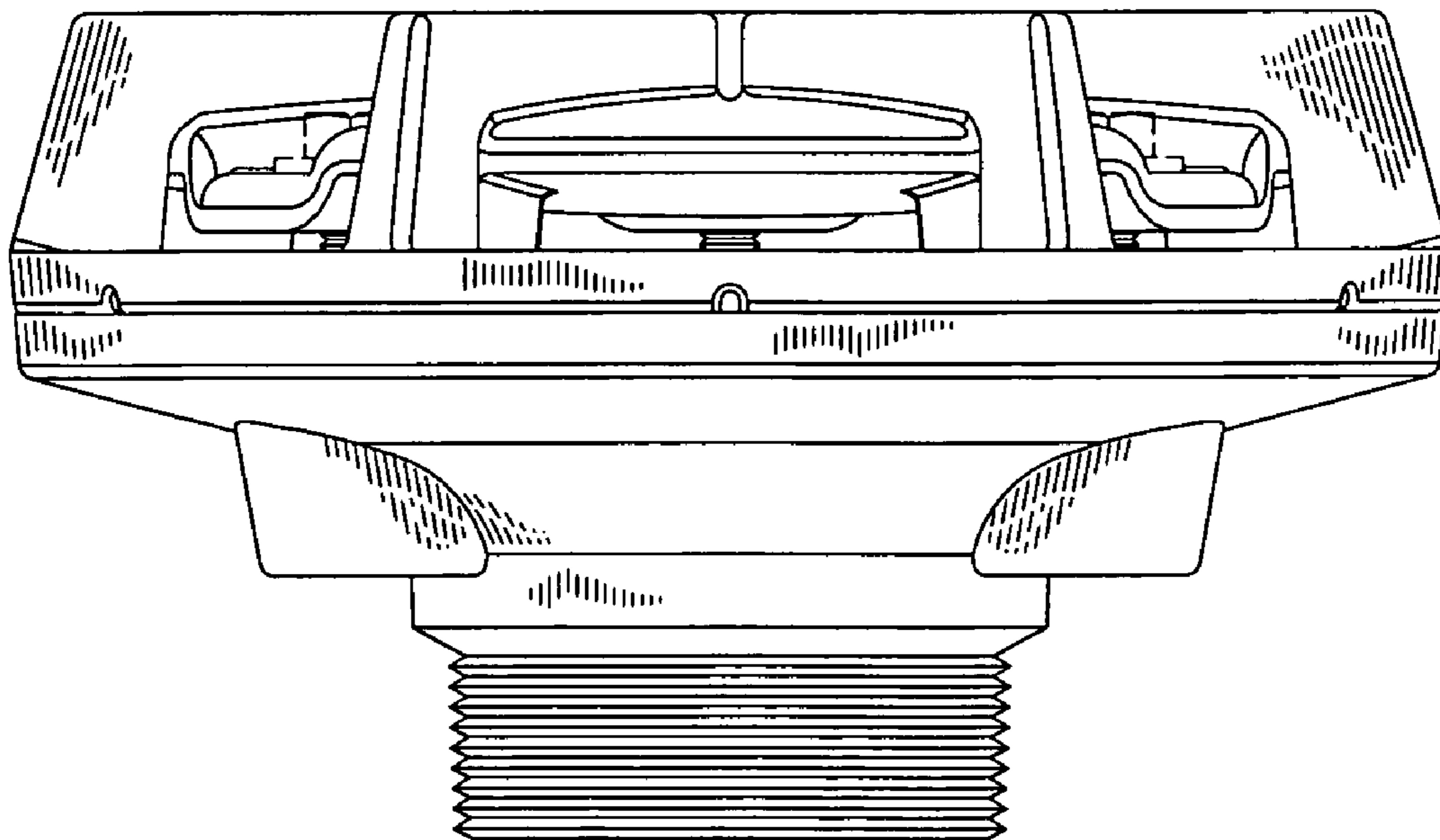


FIG. 5

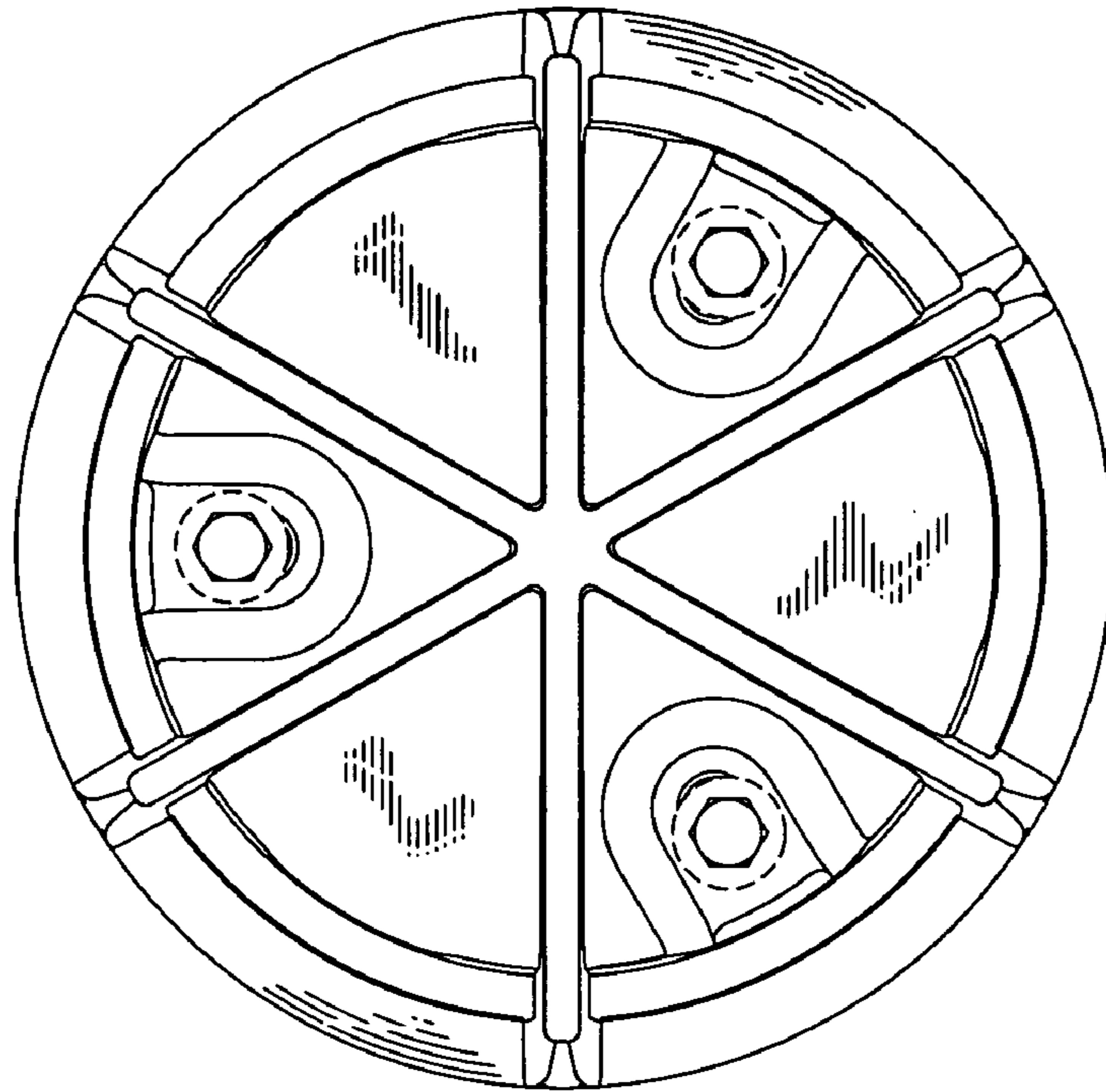


FIG. 6

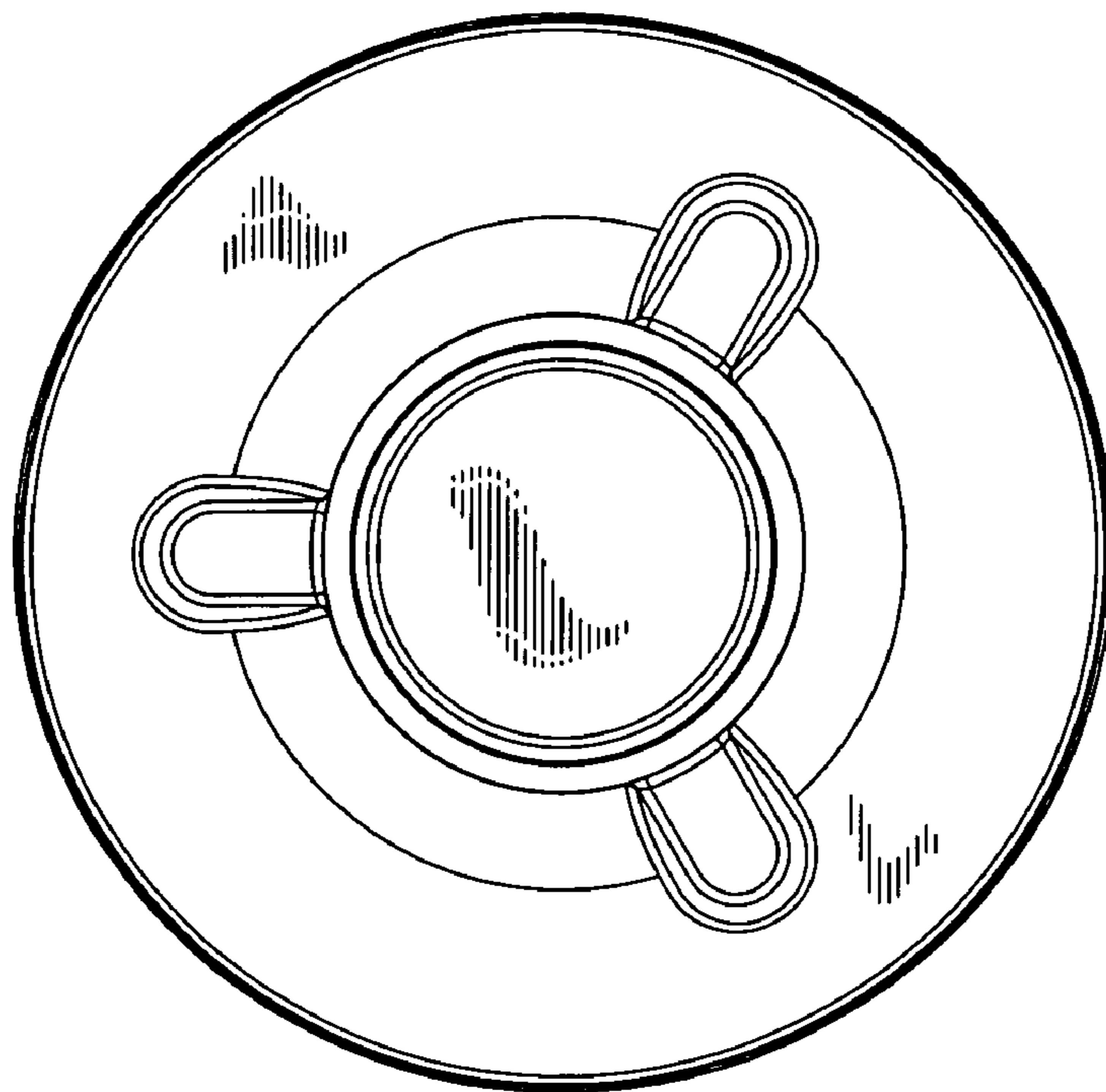


FIG. 7