



US00D576256S

(12) **United States Design Patent**
Urquiola

(10) **Patent No.:** **US D576,256 S**
(45) **Date of Patent:** **** Sep. 2, 2008**

(54) **FAUCET AND PLATFORM BASE**
(75) Inventor: **Patricia Urquiola**, Milan (IT)
(73) Assignee: **Hansgrohe AG** (DE)
(**) Term: **14 Years**
(21) Appl. No.: **29/283,886**
(22) Filed: **Aug. 27, 2007**

(30) **Foreign Application Priority Data**
Feb. 28, 2007 (DE) 4 07 01 257
(51) **LOC (8) Cl.** **23-01**
(52) **U.S. Cl.** **D23/240**
(58) **Field of Classification Search** D23/200,
D23/238-257; D6/512, 546, 550; D8/300,
D8/307-308, 310-312, 321; 4/675-678;
137/801; 16/110.1, 441
See application file for complete search history.

(56) **References Cited**
U.S. PATENT DOCUMENTS
D521,601 S * 5/2006 Uhl D23/240
D527,794 S * 9/2006 Sieger D23/238
D527,802 S * 9/2006 Schaffeld et al. D23/249
D534,245 S * 12/2006 Egli et al. D23/238
D534,619 S * 1/2007 Garner D23/238
D541,384 S * 4/2007 Citterio D23/249

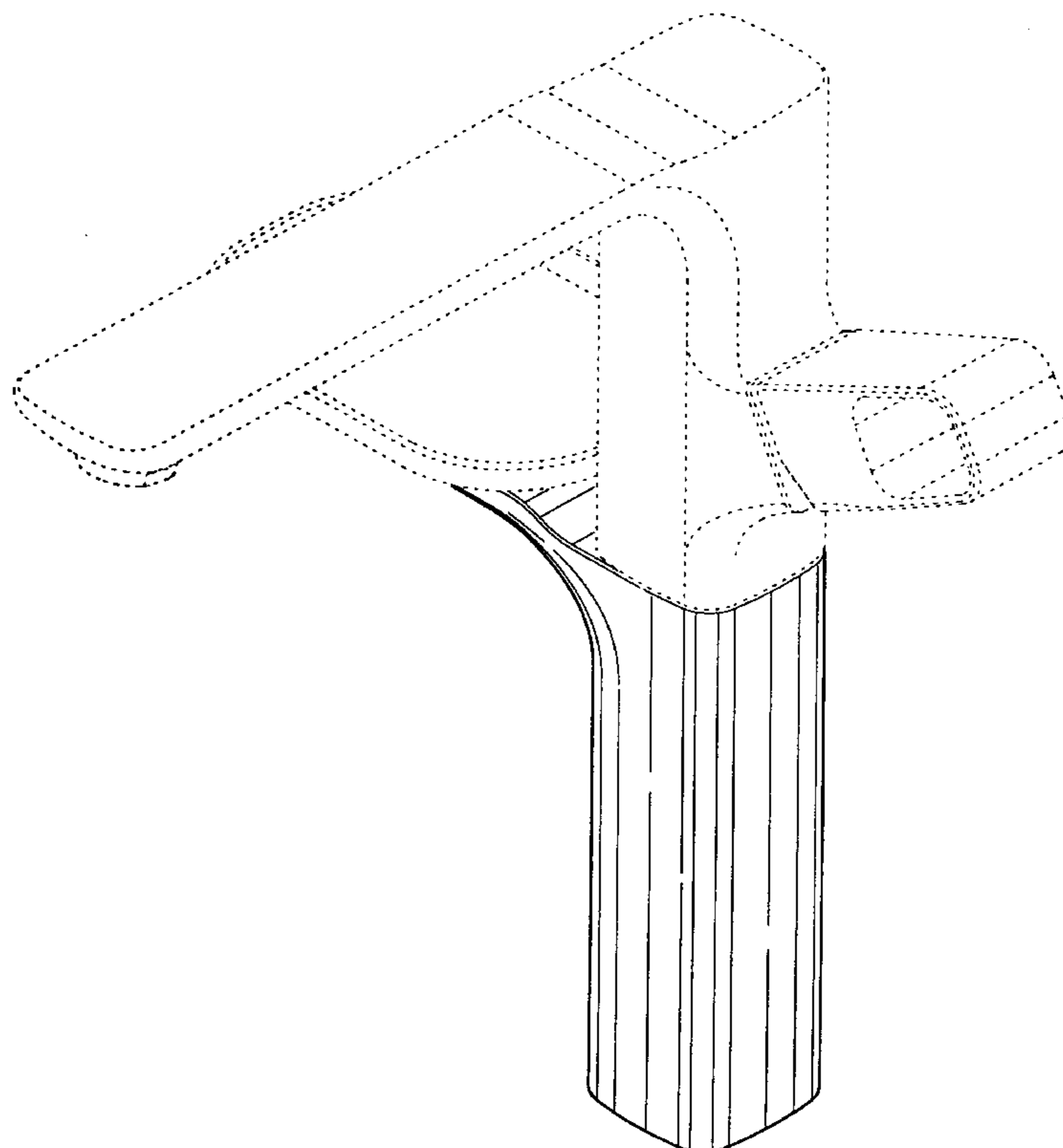
D546,922 S * 7/2007 Demmer et al. D23/238
D550,812 S * 9/2007 Haug et al. D23/238
D568,443 S * 5/2008 Urquiola D23/240
D569,484 S * 5/2008 Urquiola D23/238

* cited by examiner
Primary Examiner—Robert A. Delehanty
Assistant Examiner—Mark Cavanna
(74) *Attorney, Agent, or Firm*—Leon E. Redman; Lloyd D. Doigan

(57) **CLAIM**
The ornamental design for a faucet and platform base, as shown and described.

DESCRIPTION
FIG. 1 is a front perspective view of a faucet and platform base showing my design;
FIG. 2 is a front elevational view thereof;
FIG. 3 is a rear elevational view thereof;
FIG. 4 is a left side elevational view thereof;
FIG. 5 is a right side elevational view thereof;
FIG. 6 is a top plan view thereof; and,
FIG. 7 is a bottom plan view thereof.
The broken lines in the Figures are for illustrative purposes only and form no part of the claimed design.

1 Claim, 7 Drawing Sheets



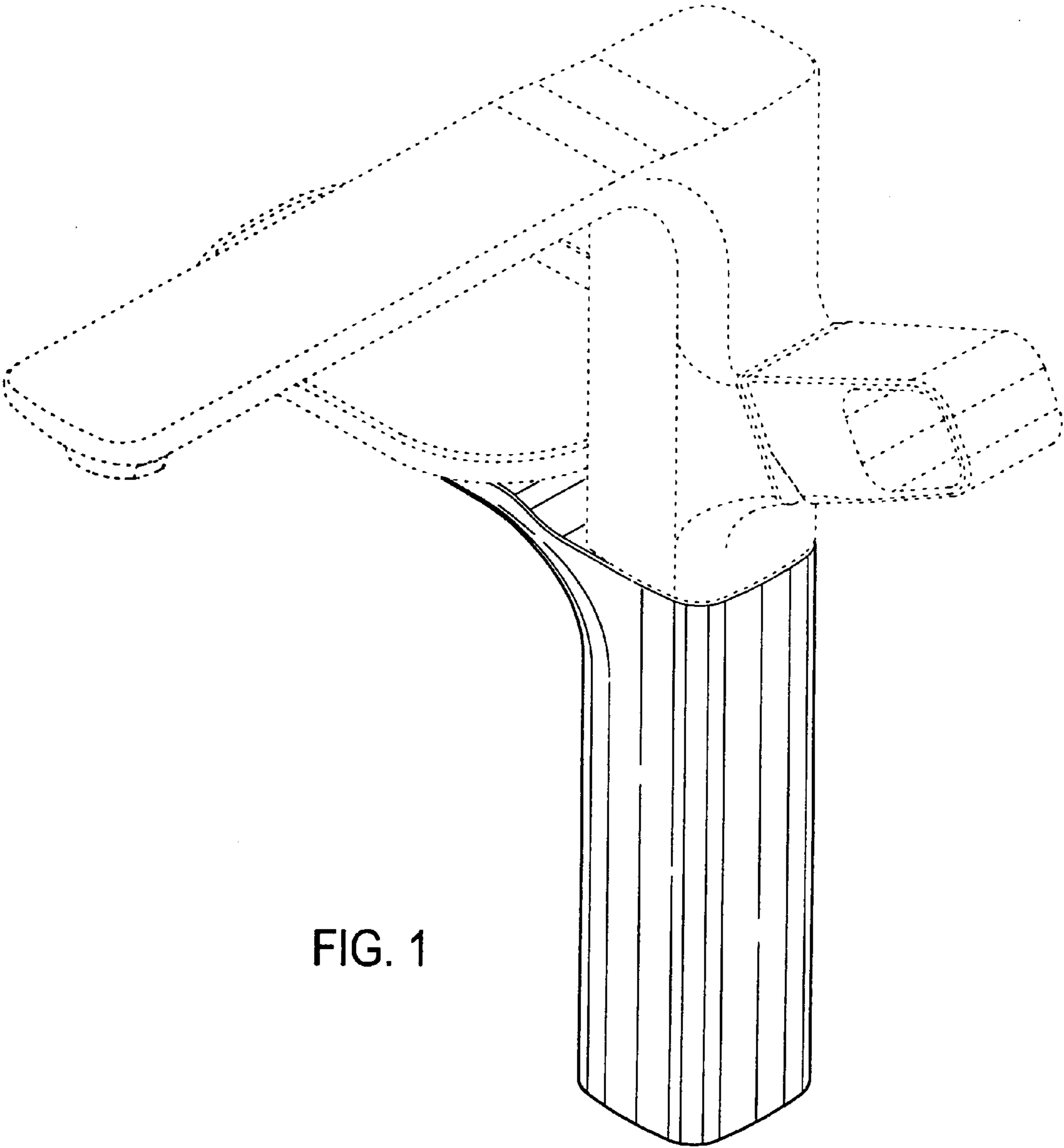


FIG. 1

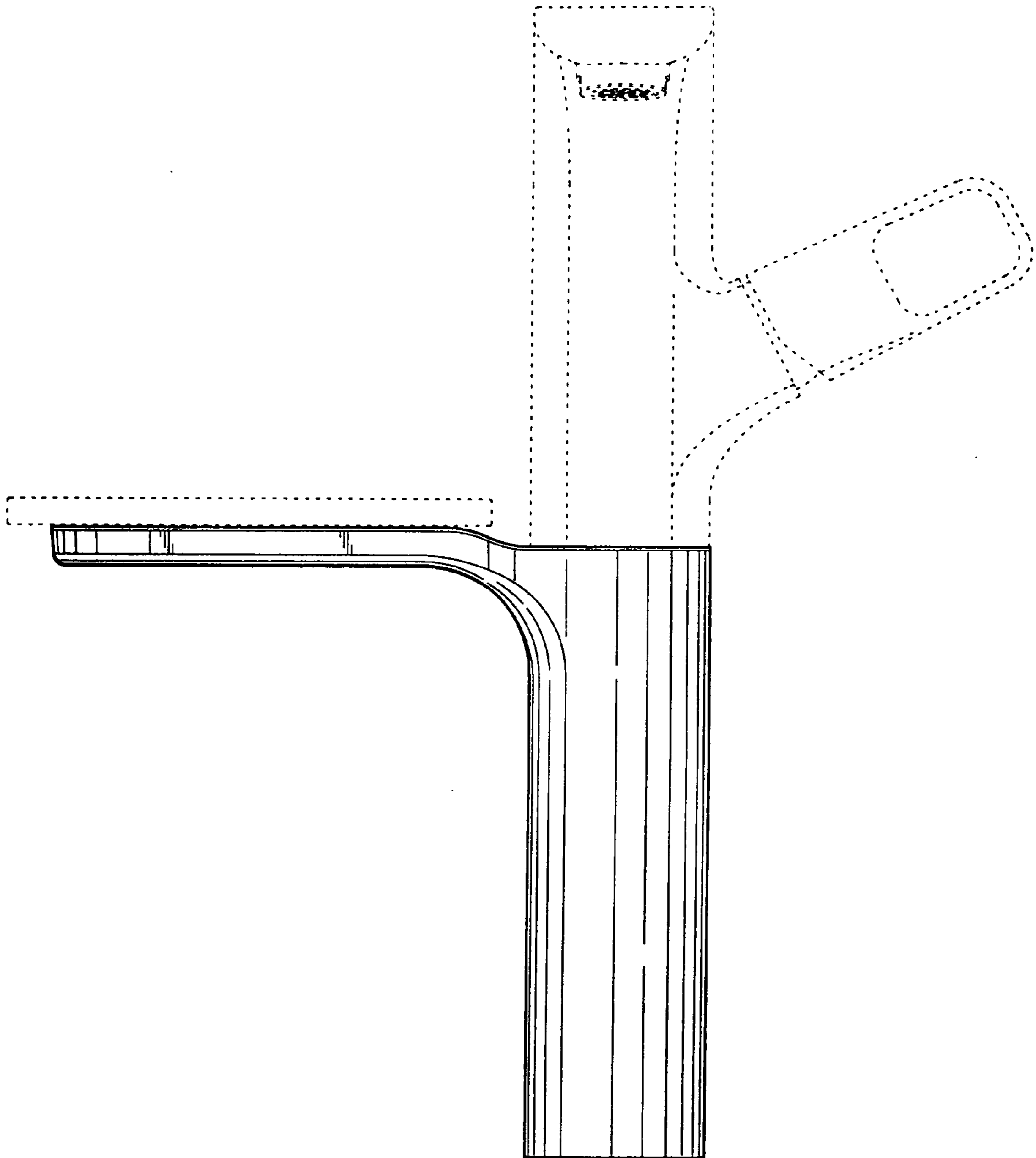


FIG. 2

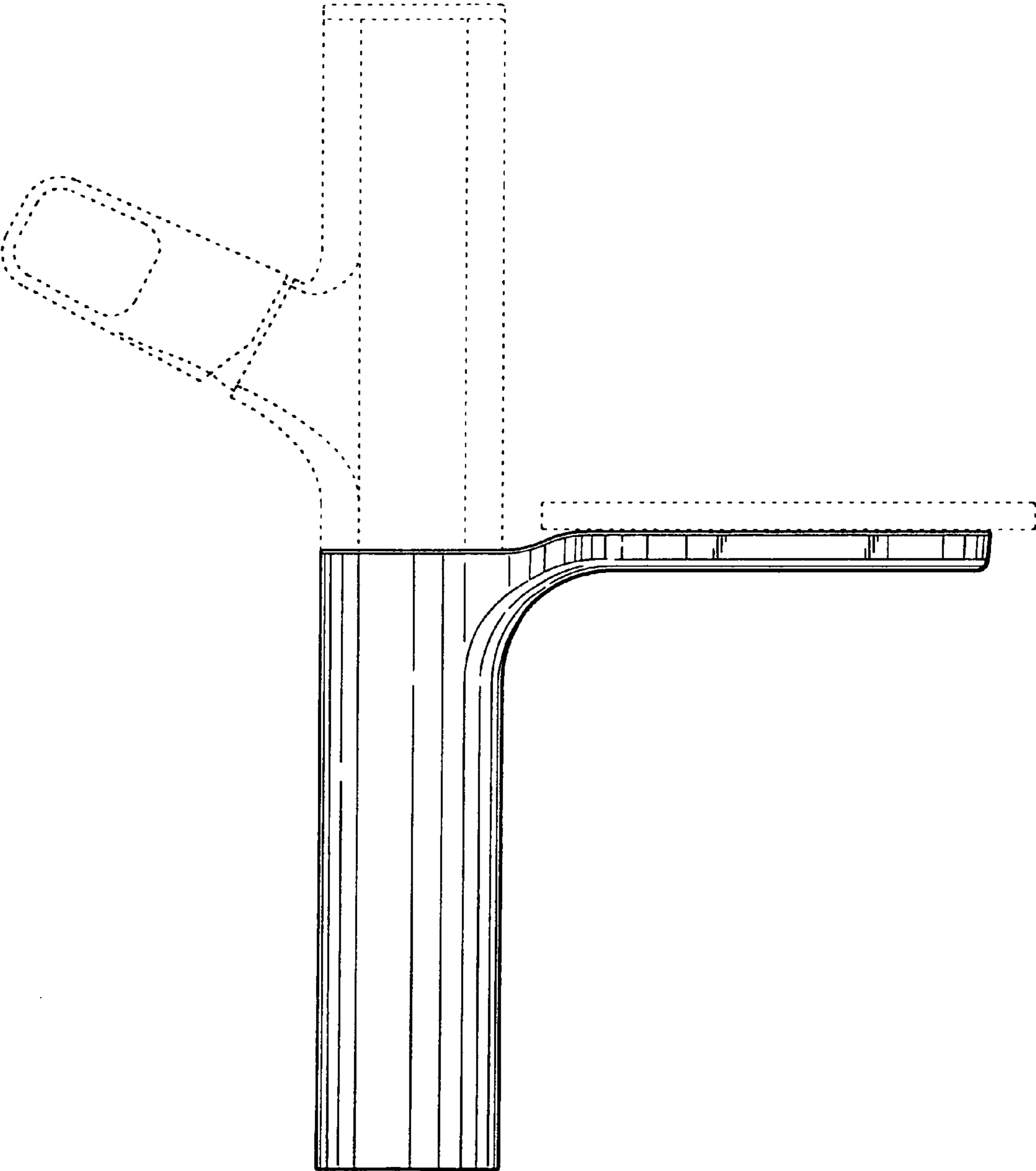


FIG. 3

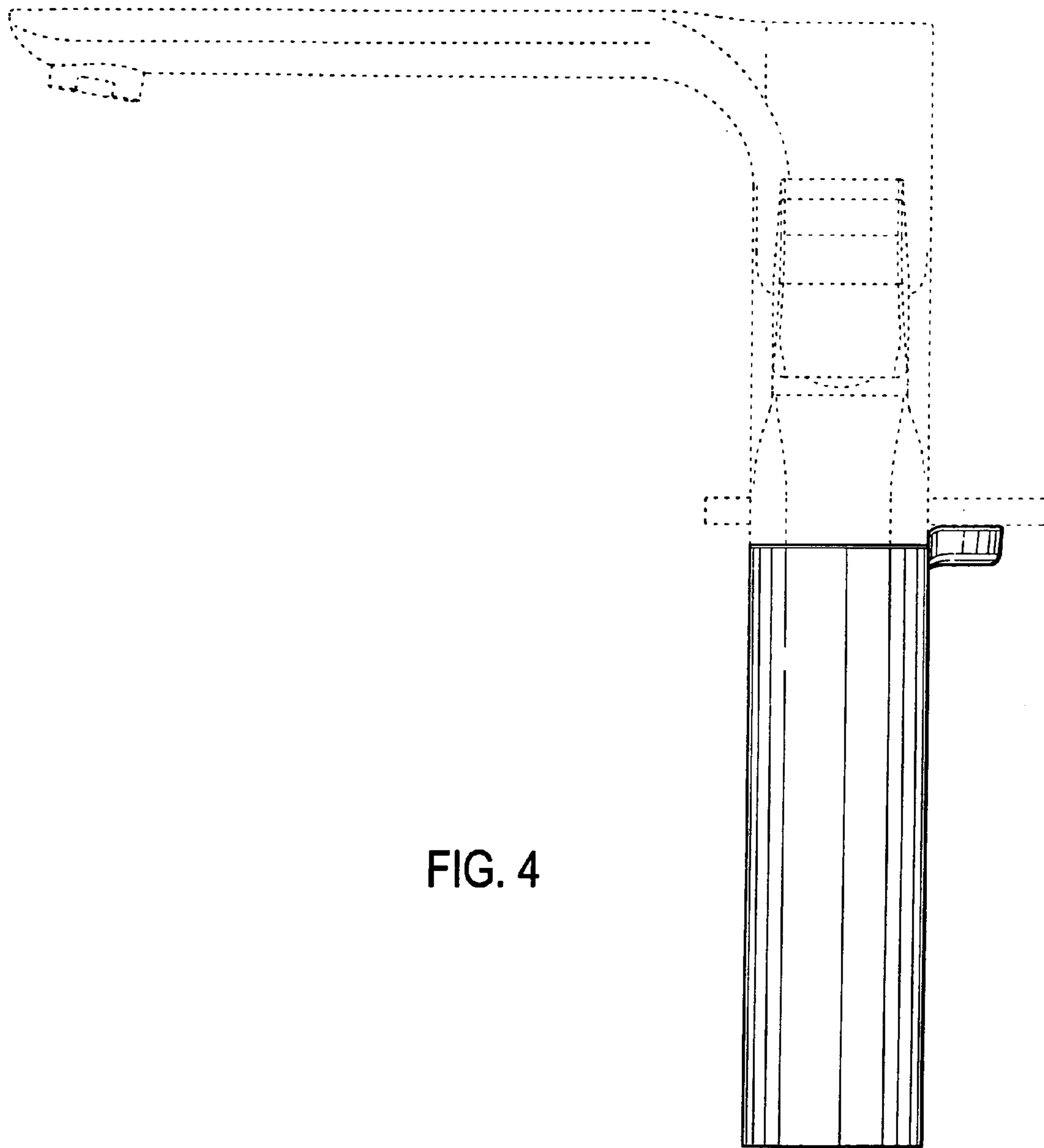


FIG. 4

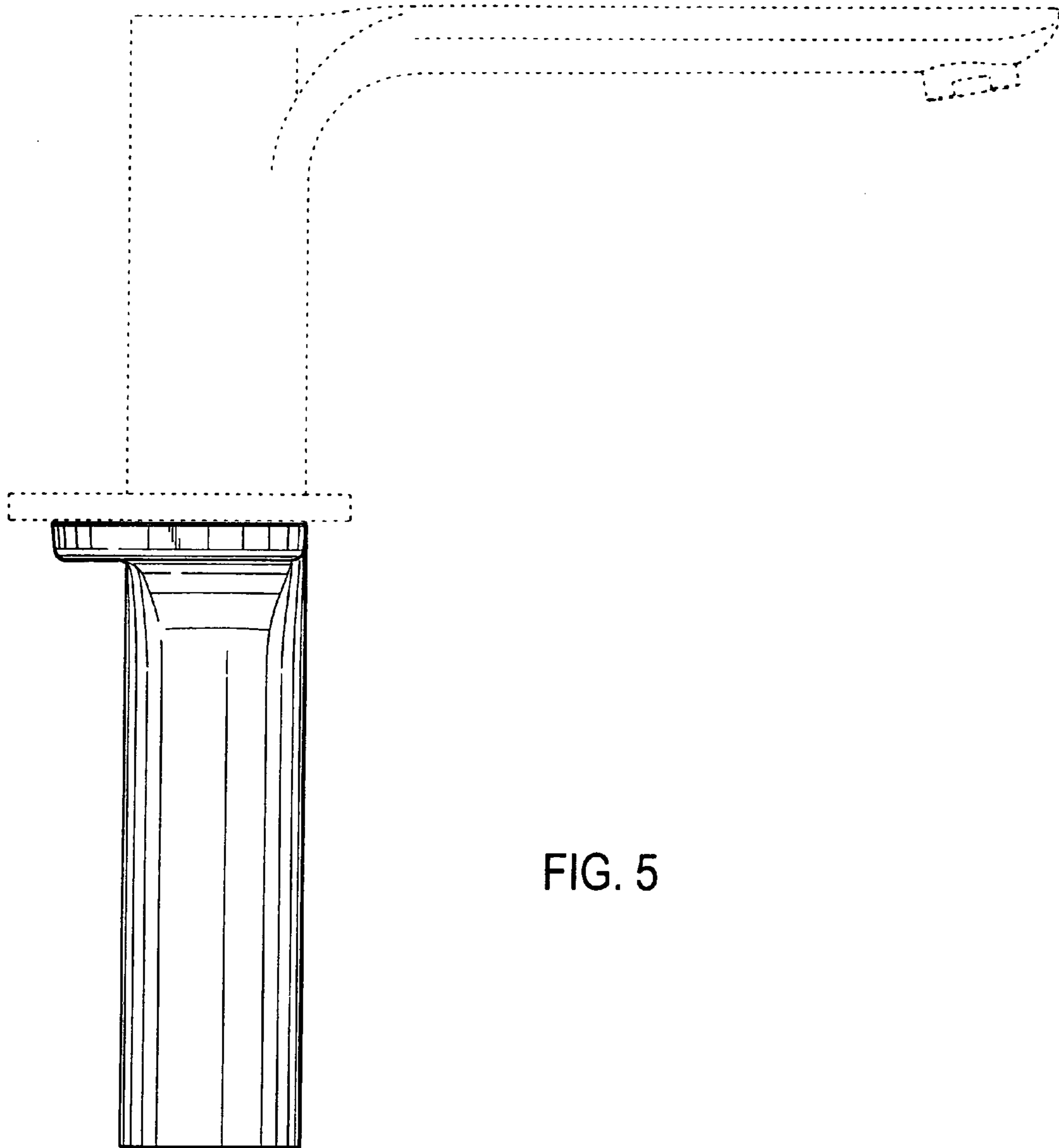


FIG. 5

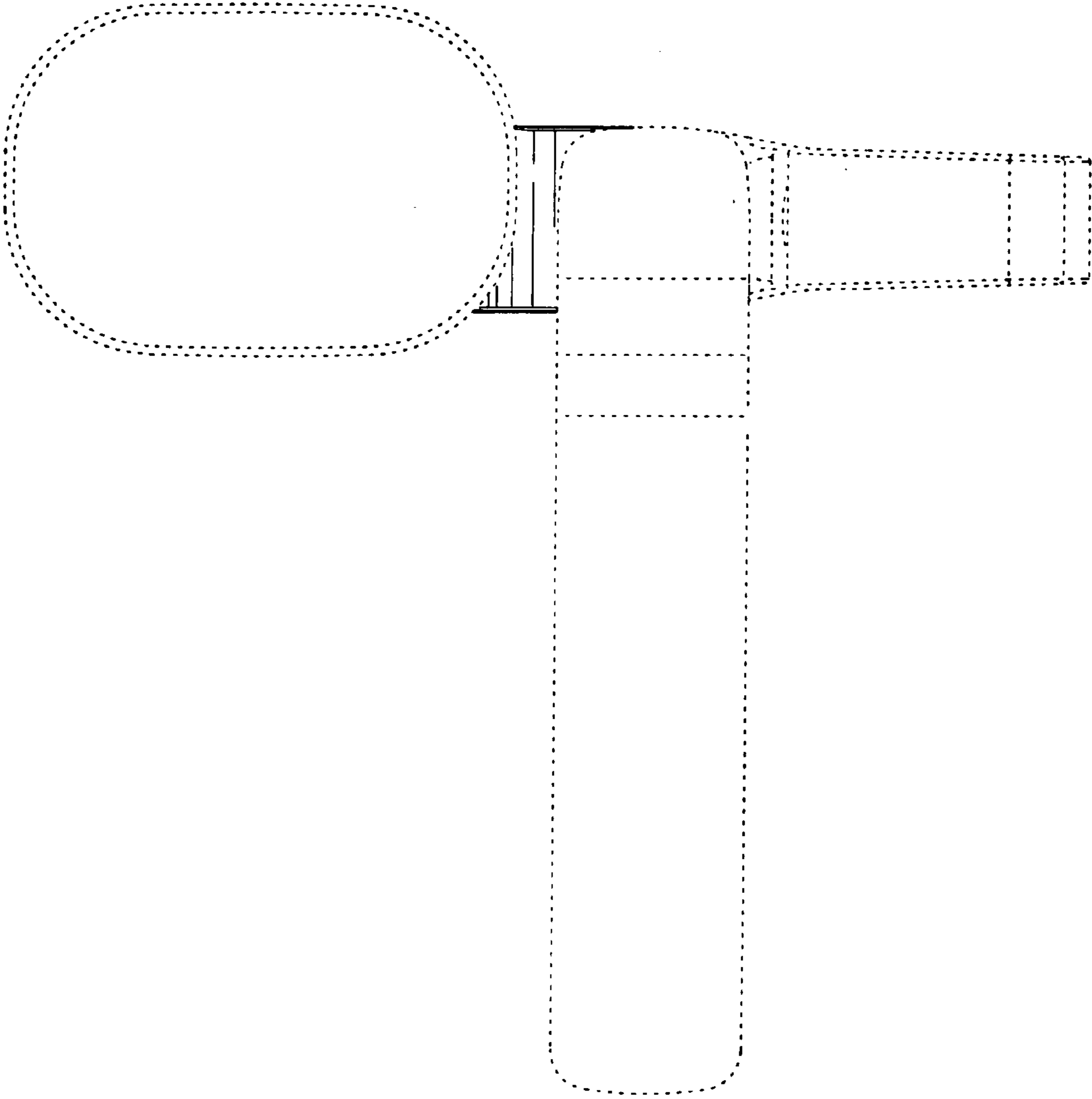


FIG. 6

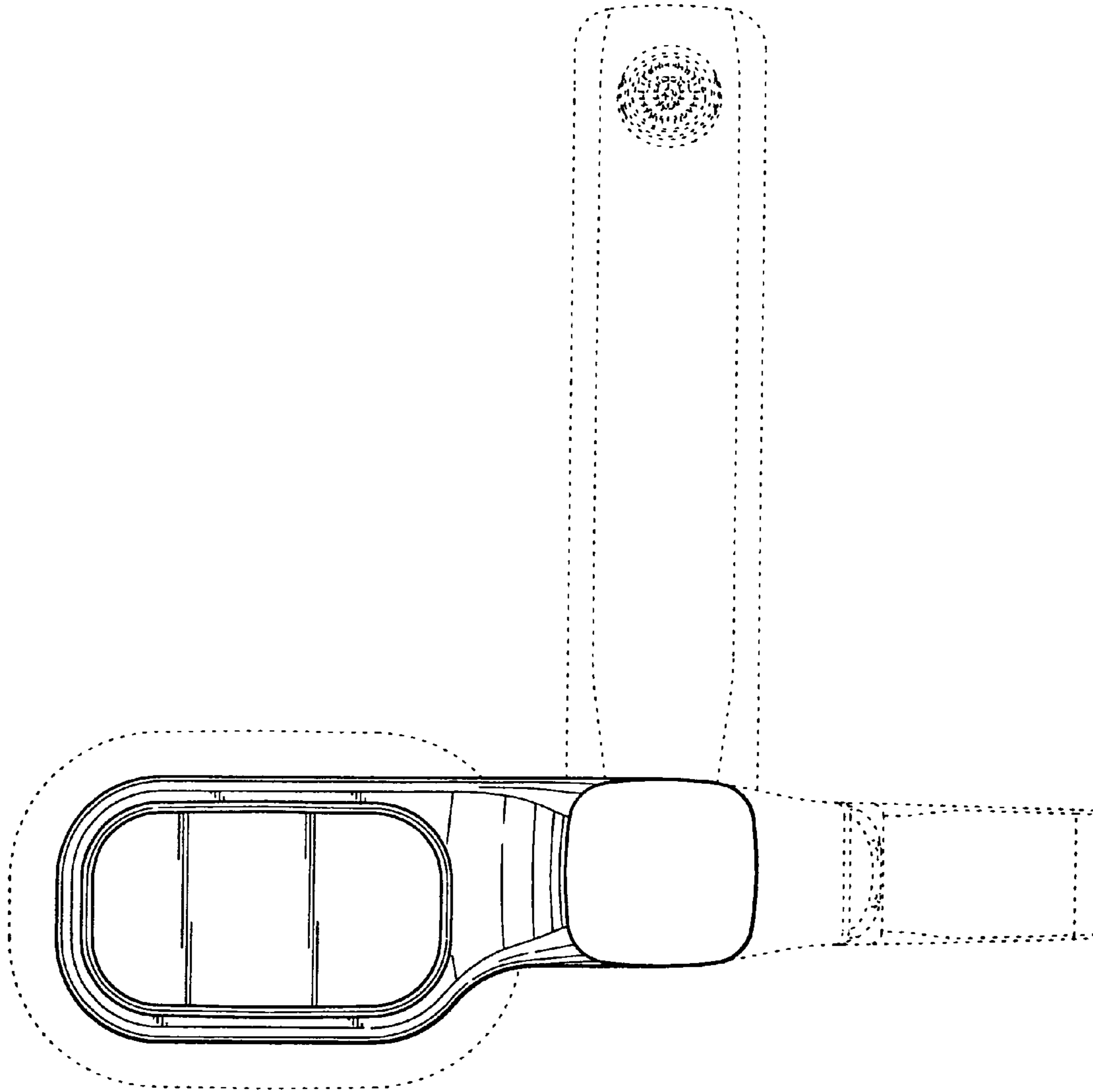


FIG. 7