



US00D576255S

(12) **United States Design Patent**
Nobili

(10) **Patent No.:** **US D576,255 S**
(45) **Date of Patent:** **** Sep. 2, 2008**

(54) **FAUCET**

(76) **Inventor:** **Fabrizio Nobili**, Zona Industriale, San Vittore (CH) CH-6534

(**) **Term:** **14 Years**

(21) **Appl. No.:** **29/270,502**

(22) **Filed:** **Dec. 22, 2006**

(30) **Foreign Application Priority Data**

Jul. 6, 2006 (EM) 000556410

(51) **LOC (8) Cl.** **23-01**

(52) **U.S. Cl.** **D23/238**

(58) **Field of Classification Search** D23/238-257;
4/675-678; 137/801

See application file for complete search history.

(56) **References Cited**

U.S. PATENT DOCUMENTS

712,868	A	11/1902	Traxton	
738,486	A	9/1903	Rogers	
816,517	A	3/1906	Whalen	
1,835,723	A	12/1931	Salzer	
2,984,419	A	5/1961	McOuat	
D322,119	S *	12/1991	Haug et al.	D23/223
5,417,348	A	5/1995	Perrin et al.	222/129.1
5,744,033	A	4/1998	Bertrand et al.	210/282
5,823,229	A	10/1998	Bertrand et al.	137/614.2
5,858,215	A	1/1999	Burchard et al.	210/87
5,865,209	A	2/1999	Vidal	137/216
6,003,170	A	12/1999	Humpert et al.	4/623

D440,633	S *	4/2001	Fleischmann	D23/238
6,517,720	B1	2/2003	Aldred et al.	210/282
D510,415	S *	10/2005	Graves et al.	D23/255
D513,526	S *	1/2006	Marshall	D23/238
D533,634	S *	12/2006	Lord et al.	D23/238
D534,621	S *	1/2007	Chu et al.	D23/238
D534,622	S *	1/2007	Chu et al.	D23/238
D535,357	S *	1/2007	Zhou	D23/238
D535,724	S *	1/2007	Zhou	D23/238
D539,870	S *	4/2007	Lammel et al.	D23/238
D540,914	S *	4/2007	Haug et al.	D23/238
7,207,075	B2 *	4/2007	Peterson et al.	4/678

* cited by examiner

Primary Examiner—Robert M. Spear

Assistant Examiner—Ania K Dworzecka

(74) *Attorney, Agent, or Firm*—Seed IP Law Group PLLC

(57) **CLAIM**

The ornamental design for a faucet, as shown and described.

DESCRIPTION

FIG. 1 is a side perspective view of a faucet showing my new design.

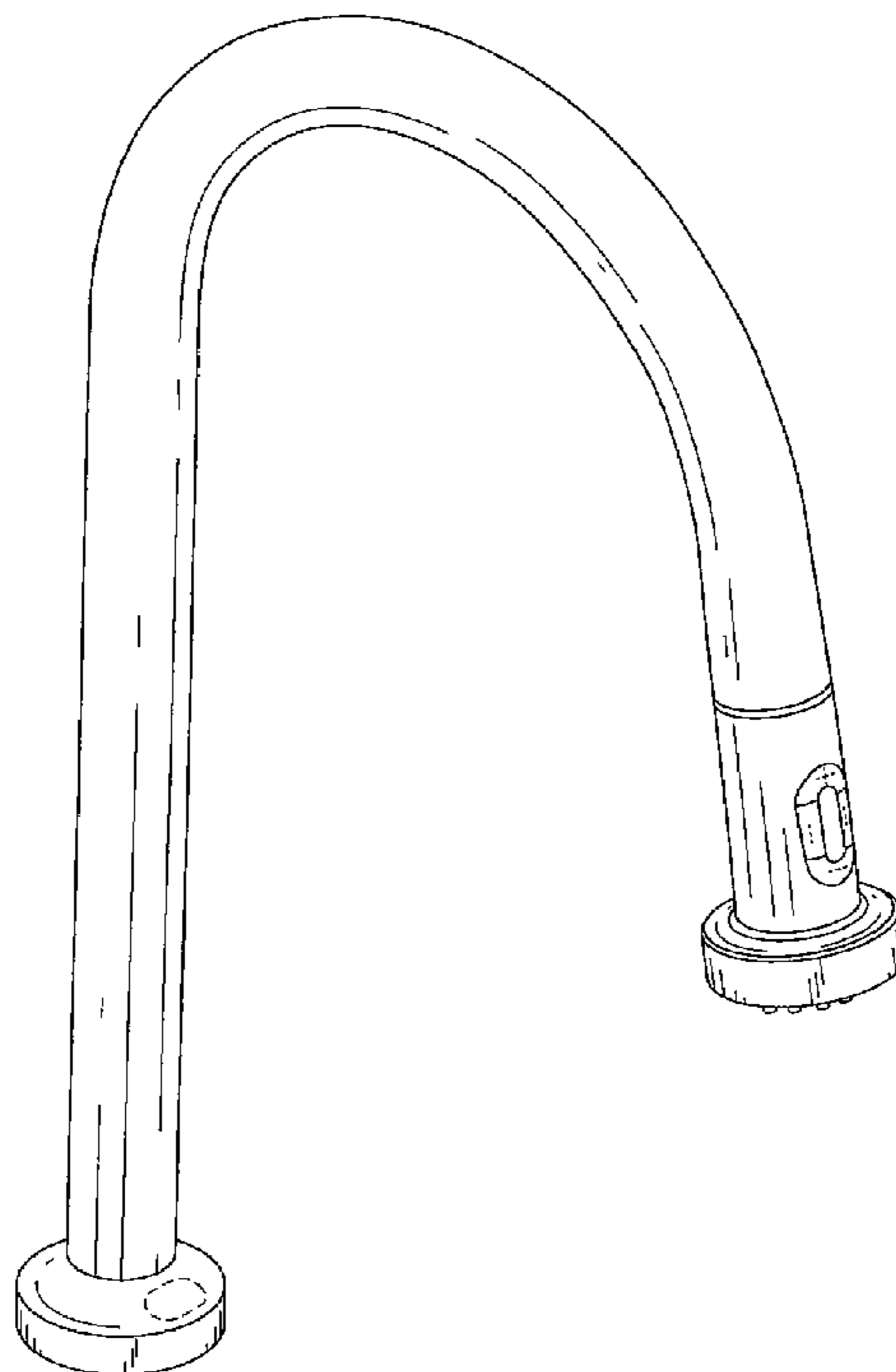
FIG. 2 is a front perspective view thereof.

FIG. 3 is an enlarged front perspective view of a first portion thereof; and,

FIG. 4 is an enlarged front perspective view of a second portion thereof.

The broken lines in the figures are for illustrative purposes only and form no part of the claimed design.

1 Claim, 4 Drawing Sheets



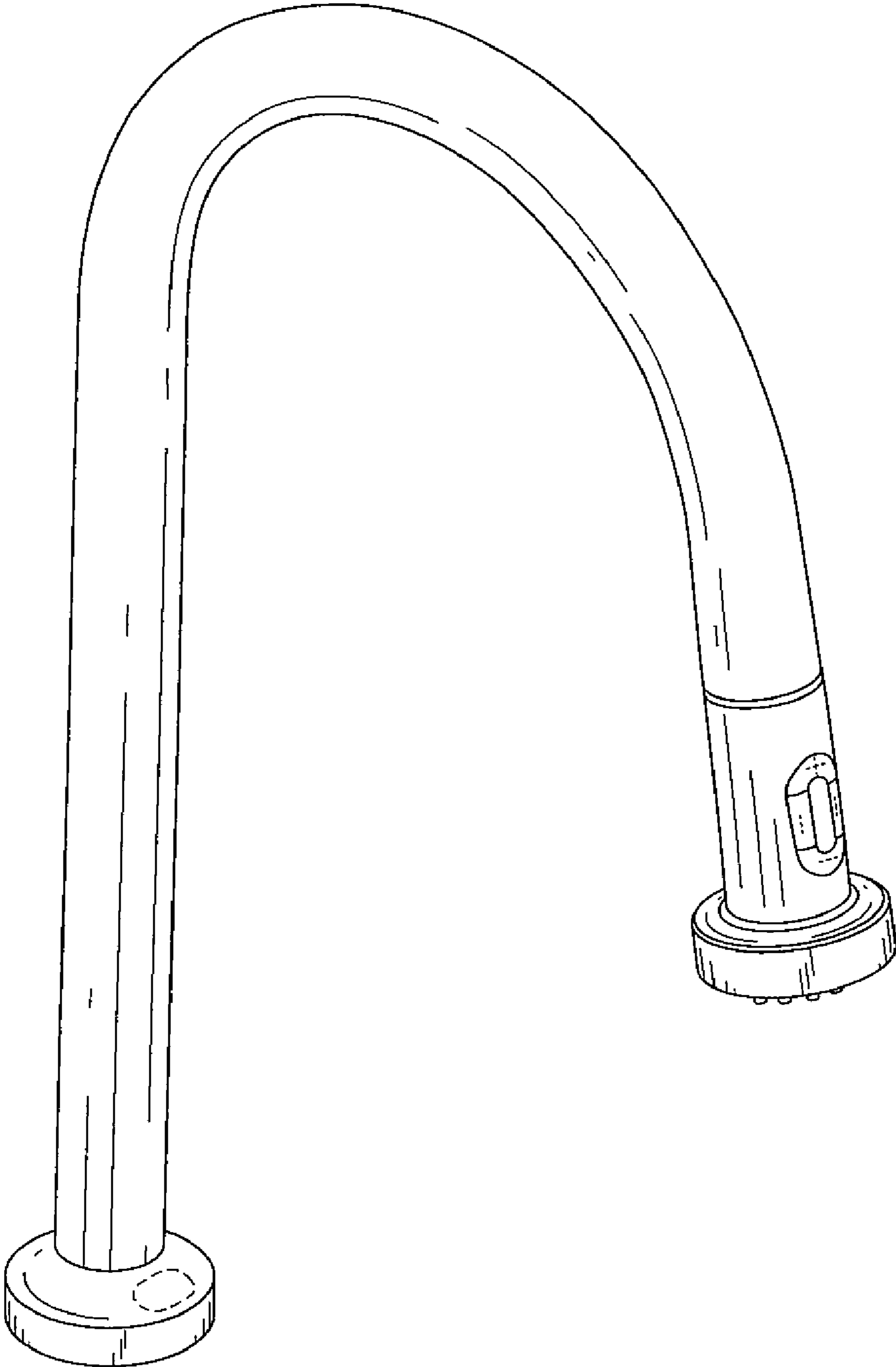


FIG. 1

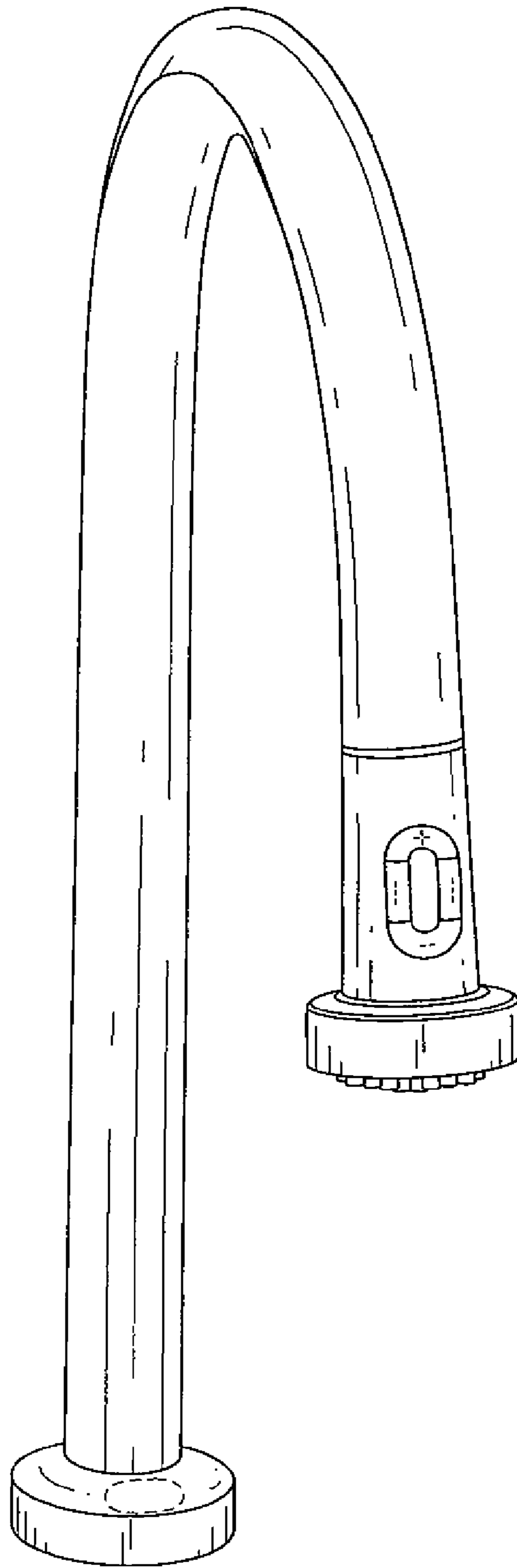


FIG. 2

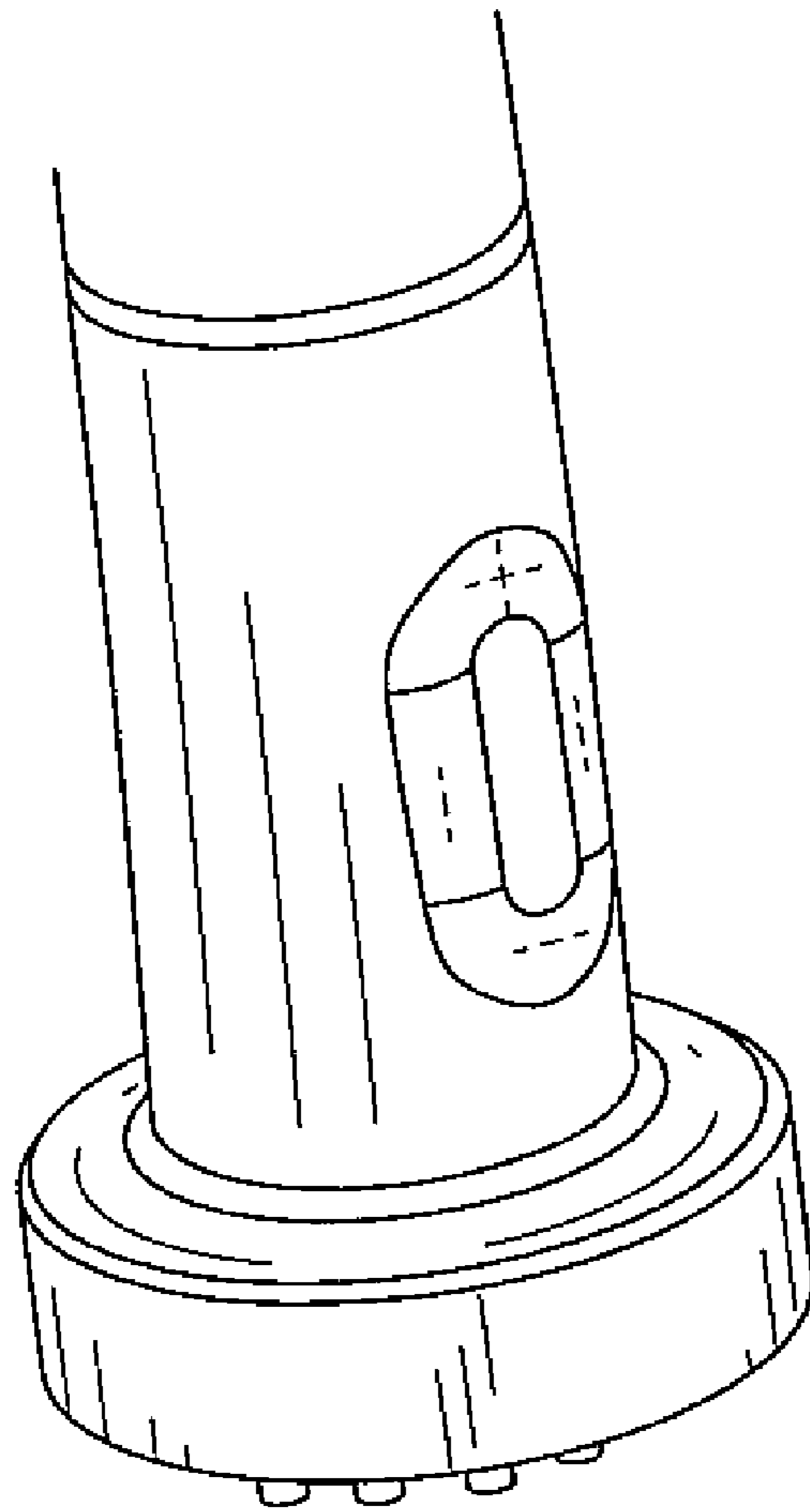


FIG. 3

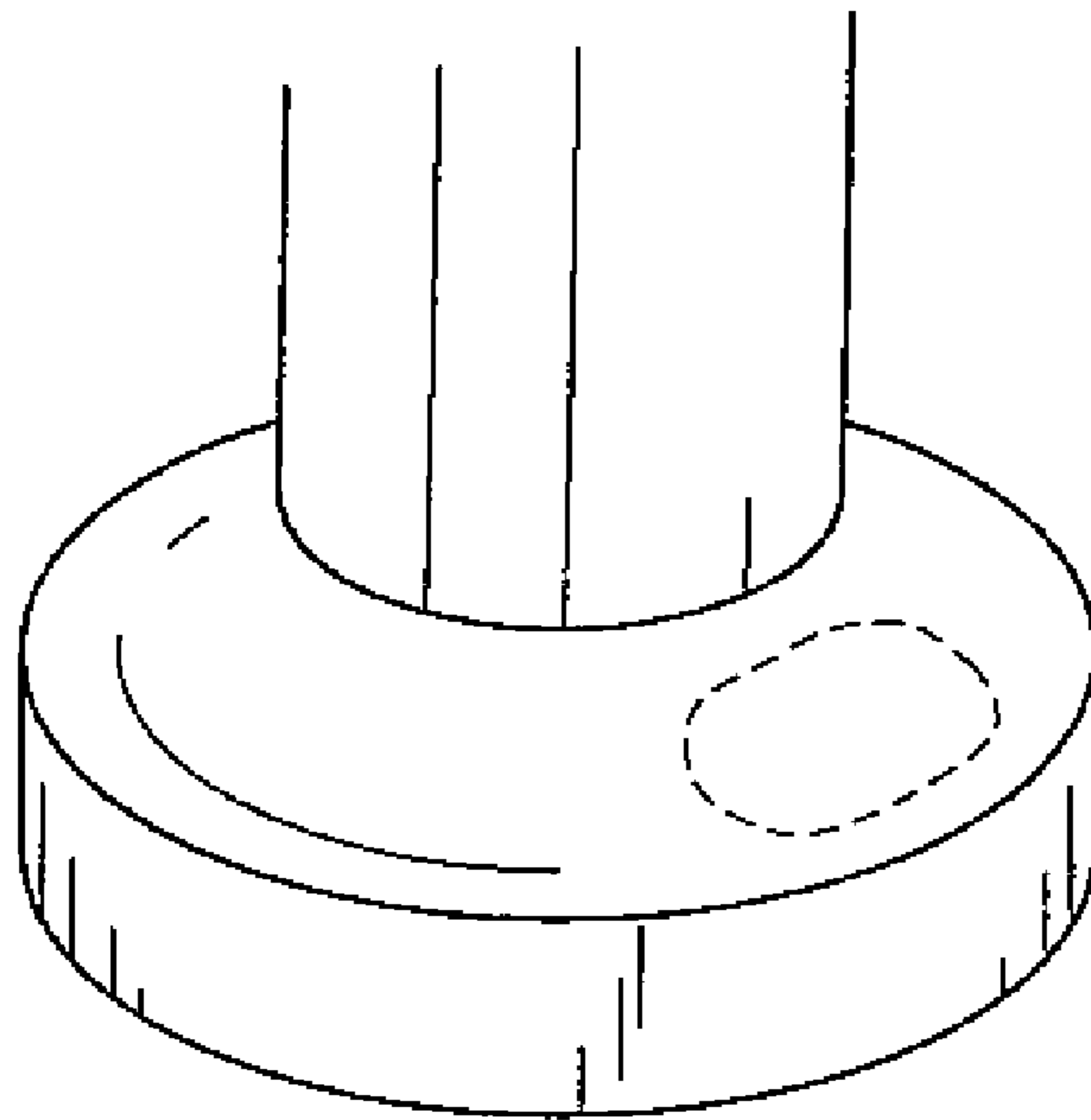


FIG. 4