



US00D576254S

(12) **United States Design Patent**
McBroom

(10) **Patent No.:** **US D576,254 S**

(45) **Date of Patent:** **** Sep. 2, 2008**

(54) **VALVE STEM**

(75) Inventor: **Jim P. McBroom**, House Springs, MO
(US)

(73) Assignee: **Clayton Corporation**, Fenton, MO (US)

(**) Term: **14 Years**

(21) Appl. No.: **29/261,450**

(22) Filed: **Jun. 14, 2006**

(51) **LOC (8) Cl.** **23-01**

(52) **U.S. Cl.** **D23/233**

(58) **Field of Classification Search** D23/233-237;
137/223-224, 230; 222/402.1-402.25, 81-83,
222/88; 138/33

See application file for complete search history.

(56) **References Cited**

U.S. PATENT DOCUMENTS

3,269,616	A *	8/1966	West	222/402.24
3,722,760	A *	3/1973	Hug	222/402.22
3,773,064	A *	11/1973	Focht	137/244
4,489,916	A *	12/1984	Stevens	251/214
5,873,497	A *	2/1999	Broadus	222/153.09

5,921,446	A *	7/1999	Stern	222/402.1
D441,053	S *	4/2001	Fan	D23/233
7,077,297	B1 *	7/2006	Valentini et al.	222/402.1
2006/0065678	A1 *	3/2006	McBroom et al.	222/402.1

* cited by examiner

Primary Examiner—Ian Simmons

Assistant Examiner—Maurice Stevens

(74) *Attorney, Agent, or Firm*—Harness, Dickey & Pierce,
P.L.C.

(57) **CLAIM**

The ornamental design for a valve stem, as shown.

DESCRIPTION

FIG. 1 is a front perspective view of a valve stem showing my new design;

FIG. 2 is a front elevation view thereof;

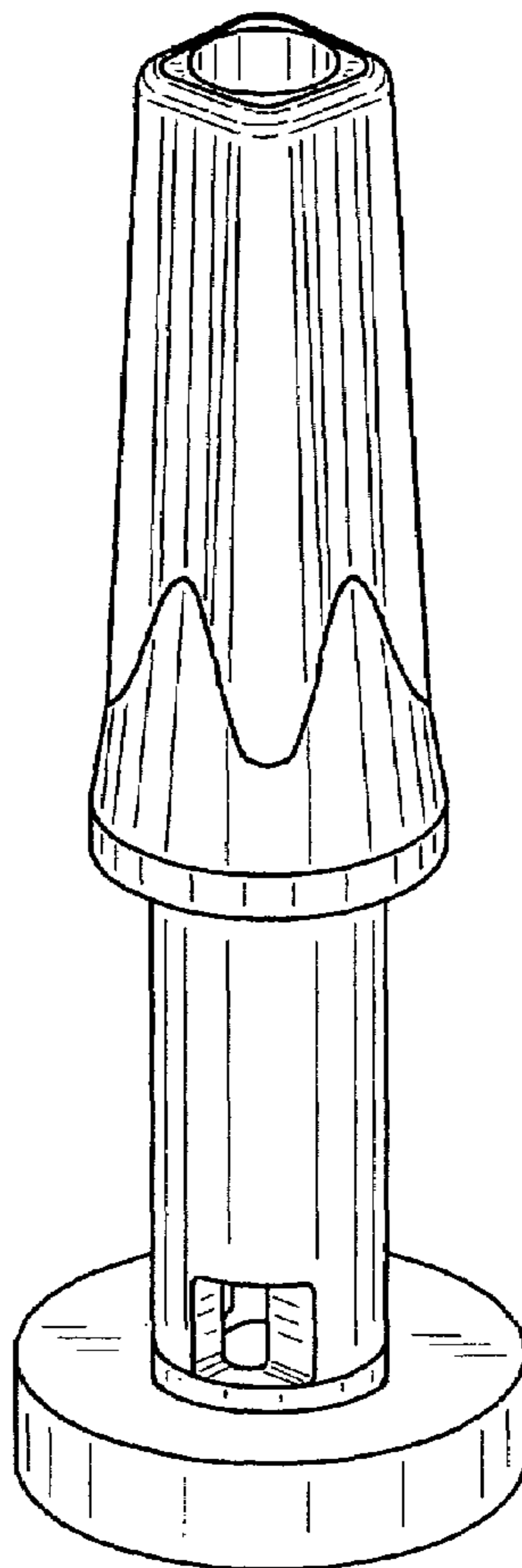
FIG. 3. is a left side elevation view thereof;

FIG. 4 is a right side elevation view thereof;

FIG. 5 is a back side elevation view thereof; and,

FIG. 6 is a top view thereof.

1 Claim, 3 Drawing Sheets



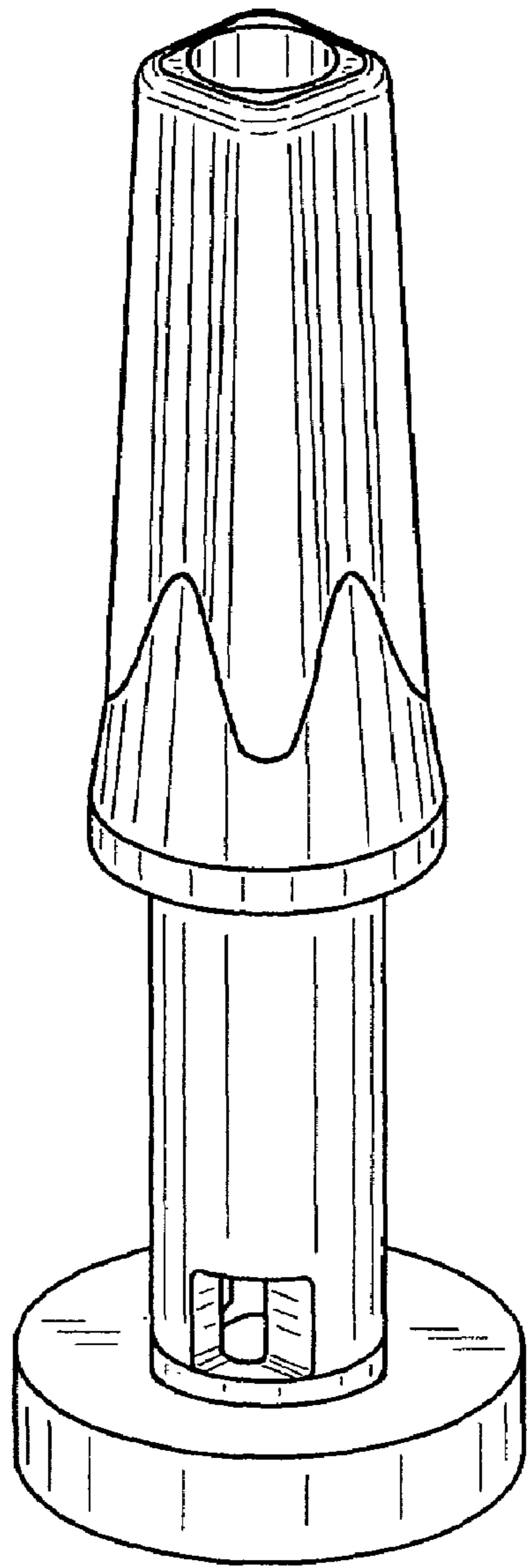


FIG. 1

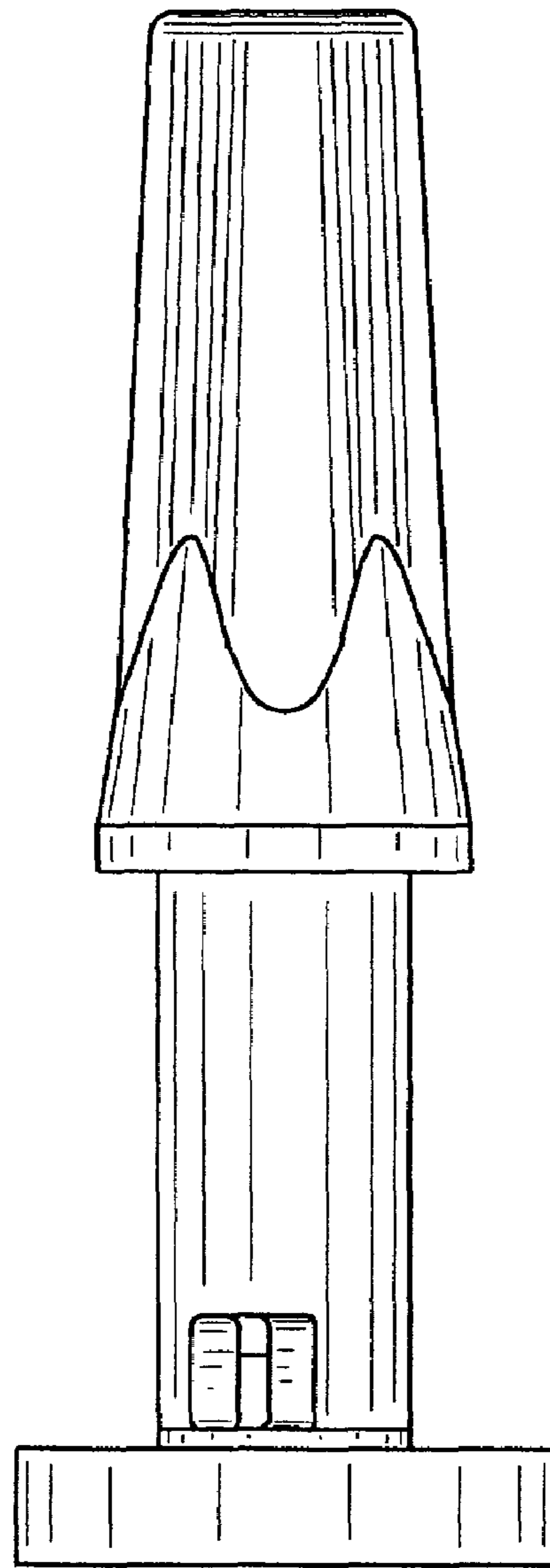


FIG. 2

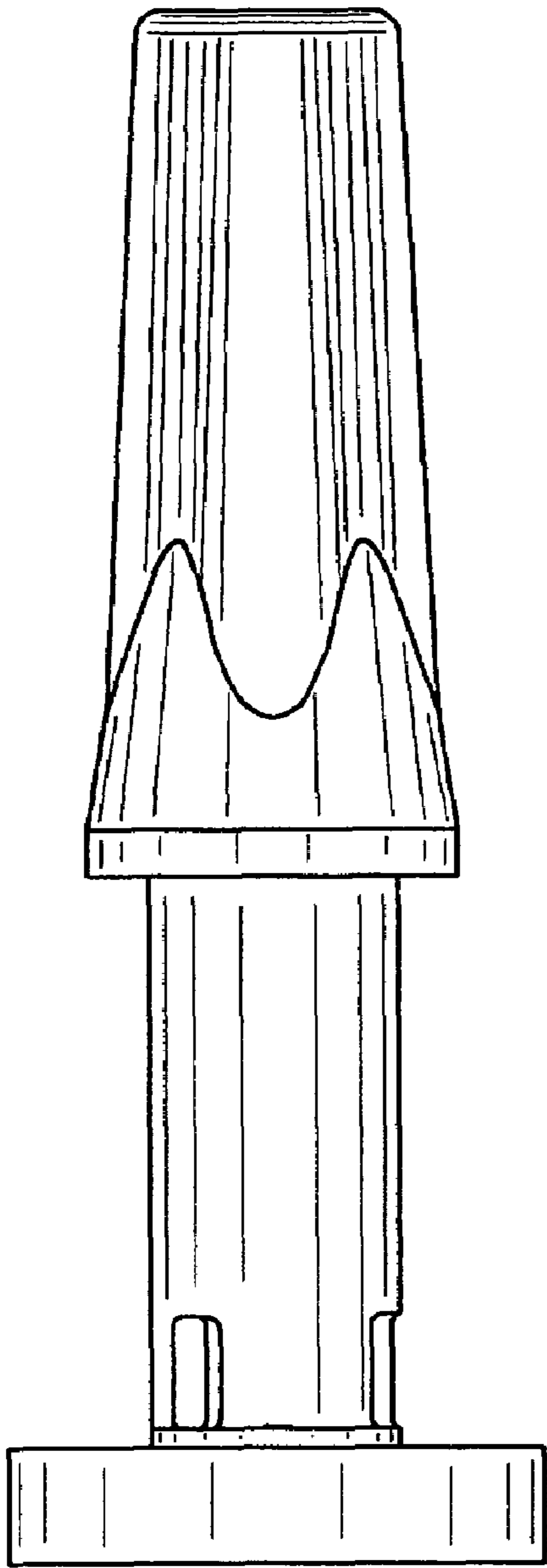


FIG. 3

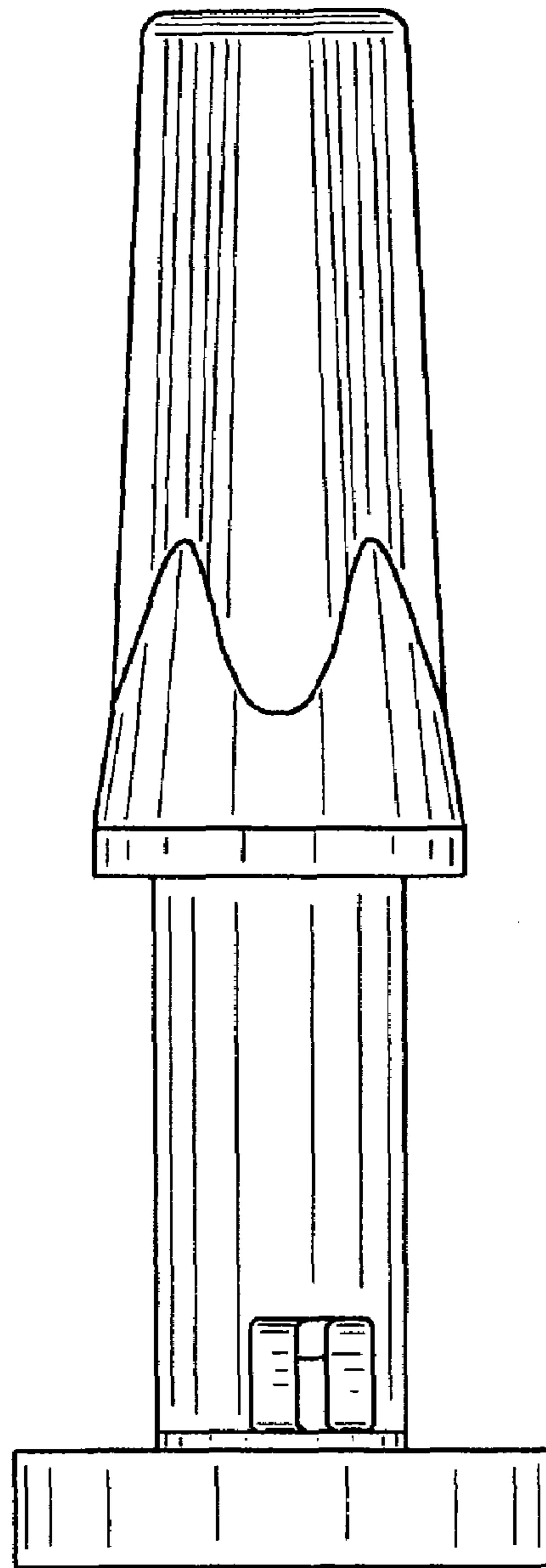


FIG. 4

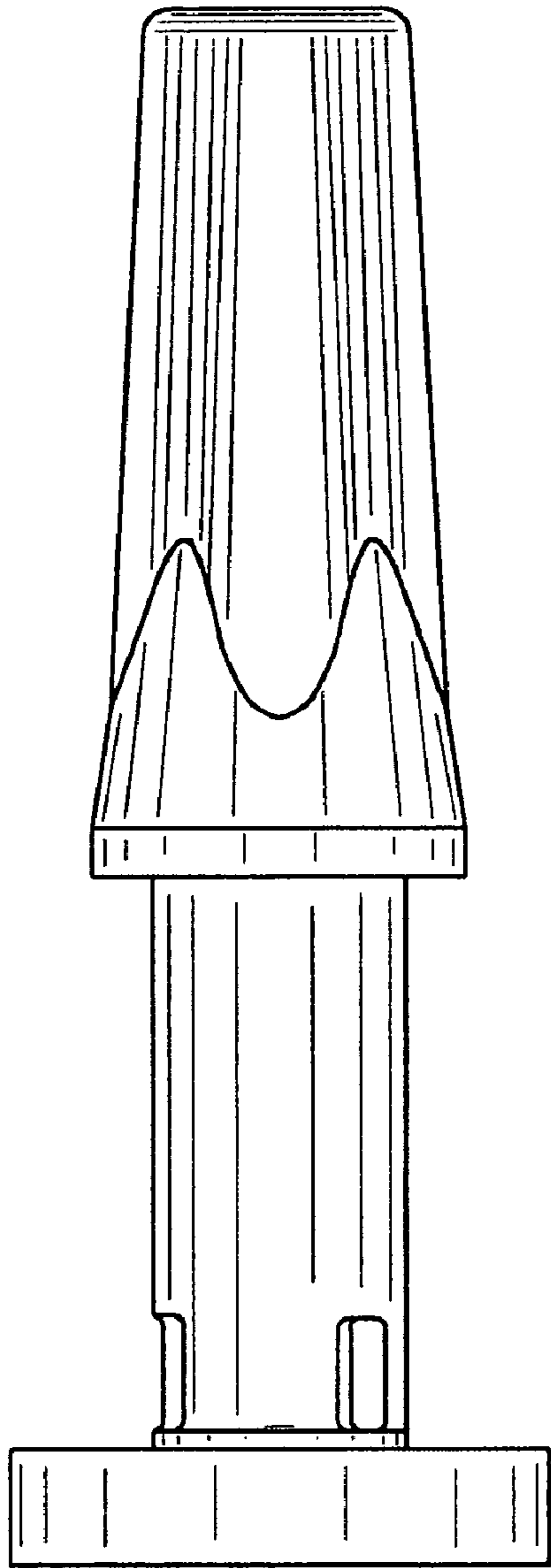


FIG. 5

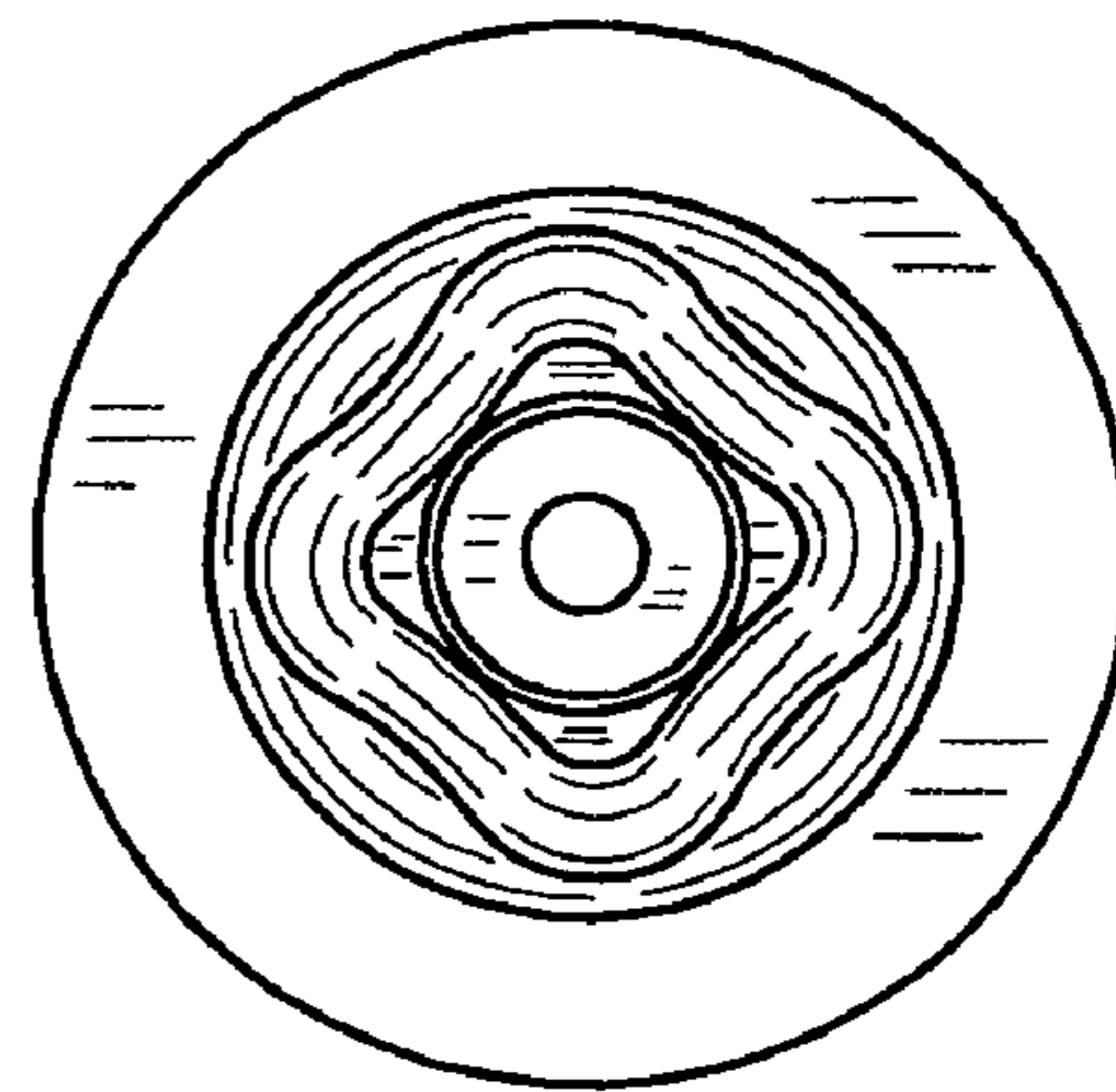


FIG. 6