



US00D576253S

(12) **United States Design Patent**  
**Cheng**

(10) **Patent No.:** **US D576,253 S**  
(45) **Date of Patent:** **\*\* Sep. 2, 2008**

(54) **SPRINKLER**

D557,379 S \* 12/2007 Chen ..... D23/223

\* cited by examiner

(75) Inventor: **Chi Han Cheng**, Changhua Hsien (TW)

*Primary Examiner*—Robin V Webster

(73) Assignee: **Yuan Mei Corp.**, Changhua Hsien (TW)

(74) *Attorney, Agent, or Firm*—Troxell Law Office, PLLC

(\*\*) Term: **14 Years**

(57) **CLAIM**

(21) Appl. No.: **29/274,733**

The ornamental design for the “sprinkler,” as shown and described.

(22) Filed: **May 18, 2007**

**DESCRIPTION**

(51) **LOC (8) Cl.** ..... **23-01**

FIG. 1 is a perspective view of a sprinkler showing my new design;

(52) **U.S. Cl.** ..... **D23/223**

FIG. 2 is a front view thereof;

(58) **Field of Classification Search** ..... D23/213,

FIG. 3 is a rear view thereof;

D23/223, 226; 239/525–527, 459

FIG. 4 is a left side view thereof;

See application file for complete search history.

FIG. 5 is a right side view thereof;

(56) **References Cited**

FIG. 6 is a top view thereof; and,

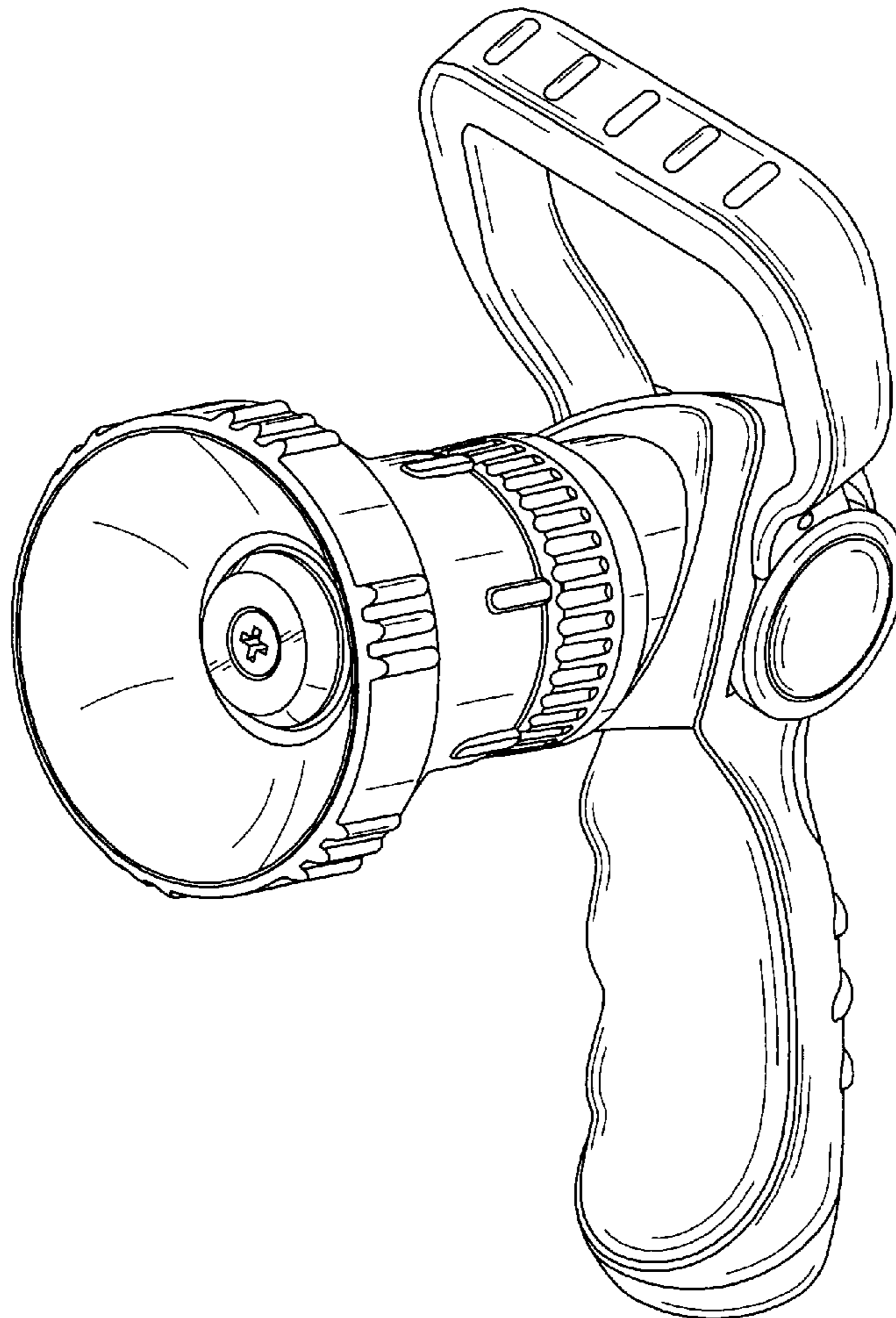
**U.S. PATENT DOCUMENTS**

FIG. 7 is a bottom view thereof.

D515,662 S \* 2/2006 Chen ..... D23/223

D557,378 S \* 12/2007 Chen ..... D23/223

**1 Claim, 7 Drawing Sheets**



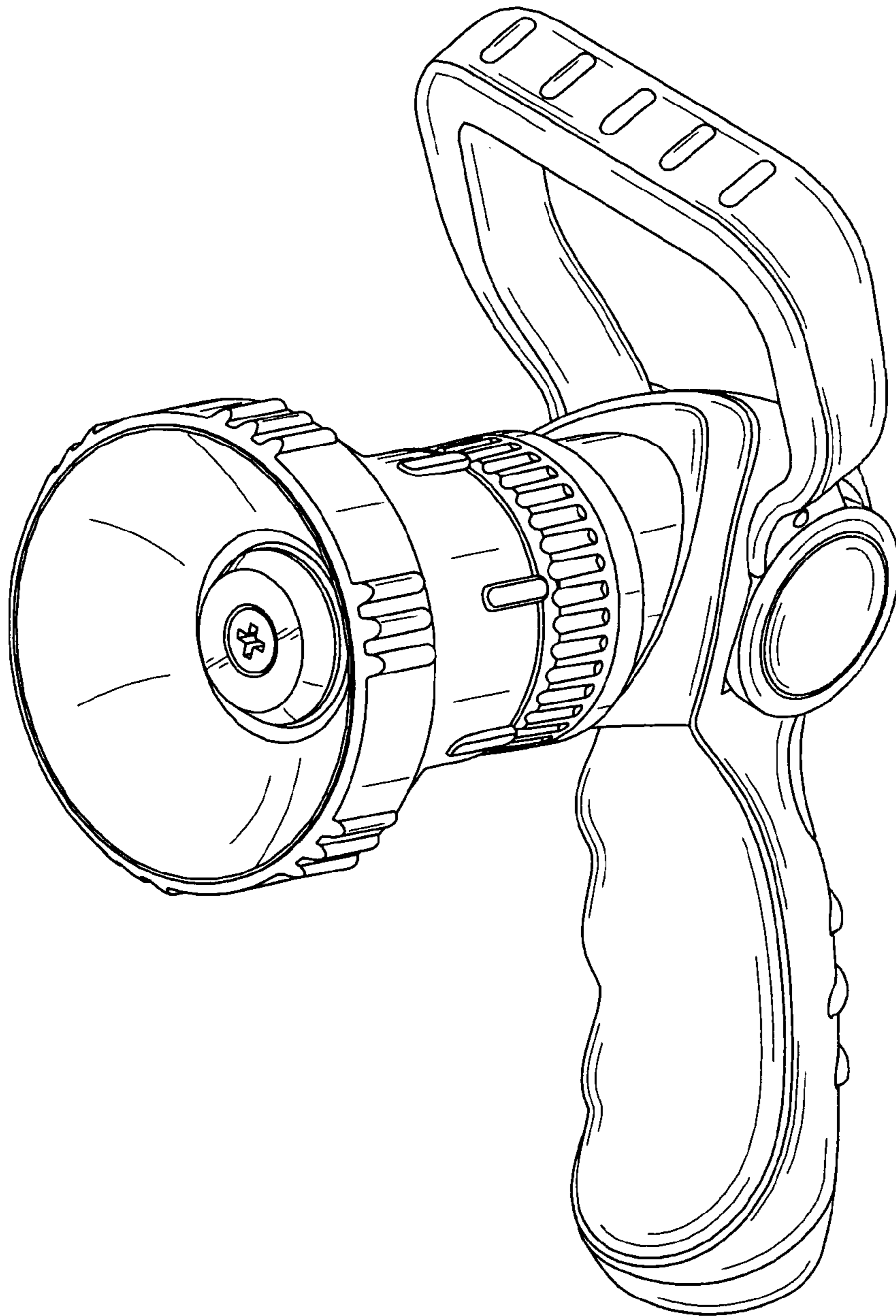


FIG. 1

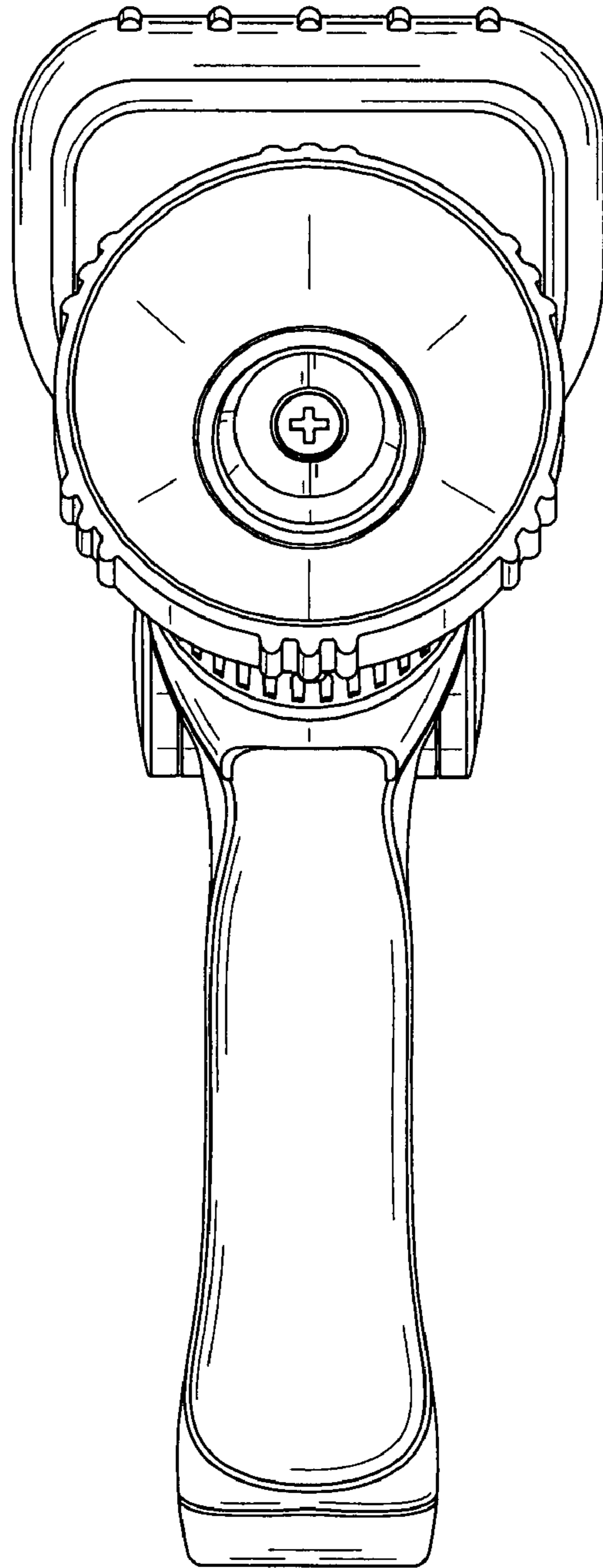


FIG. 2

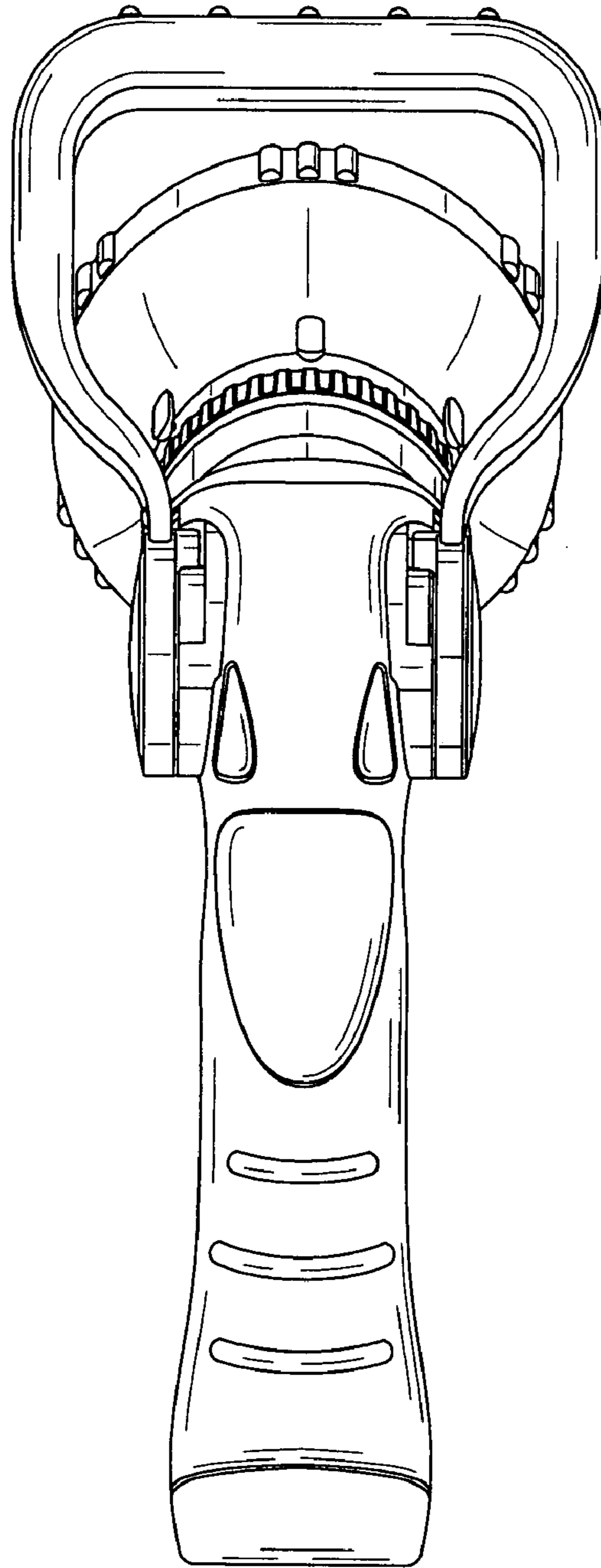


FIG. 3

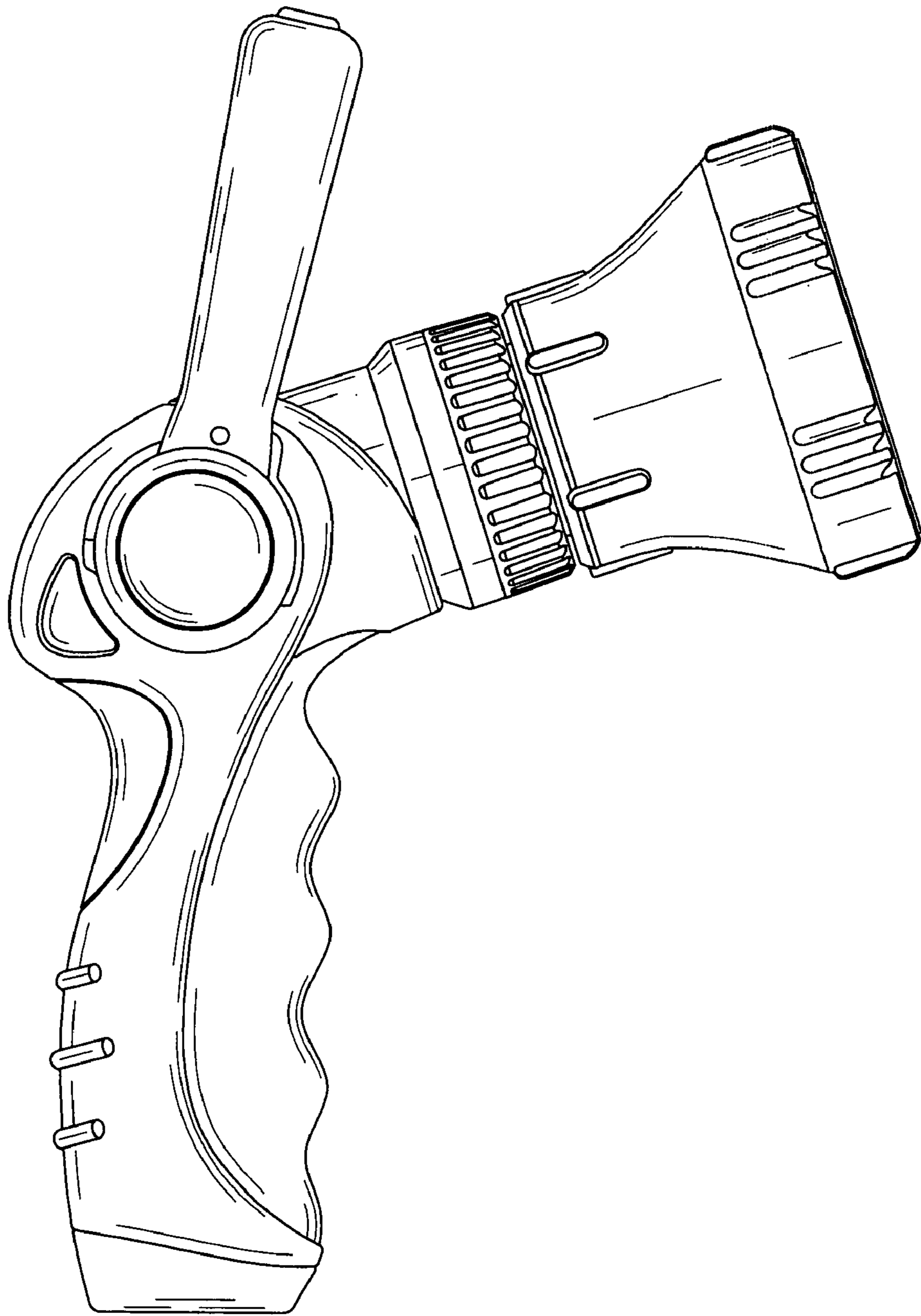


FIG. 4

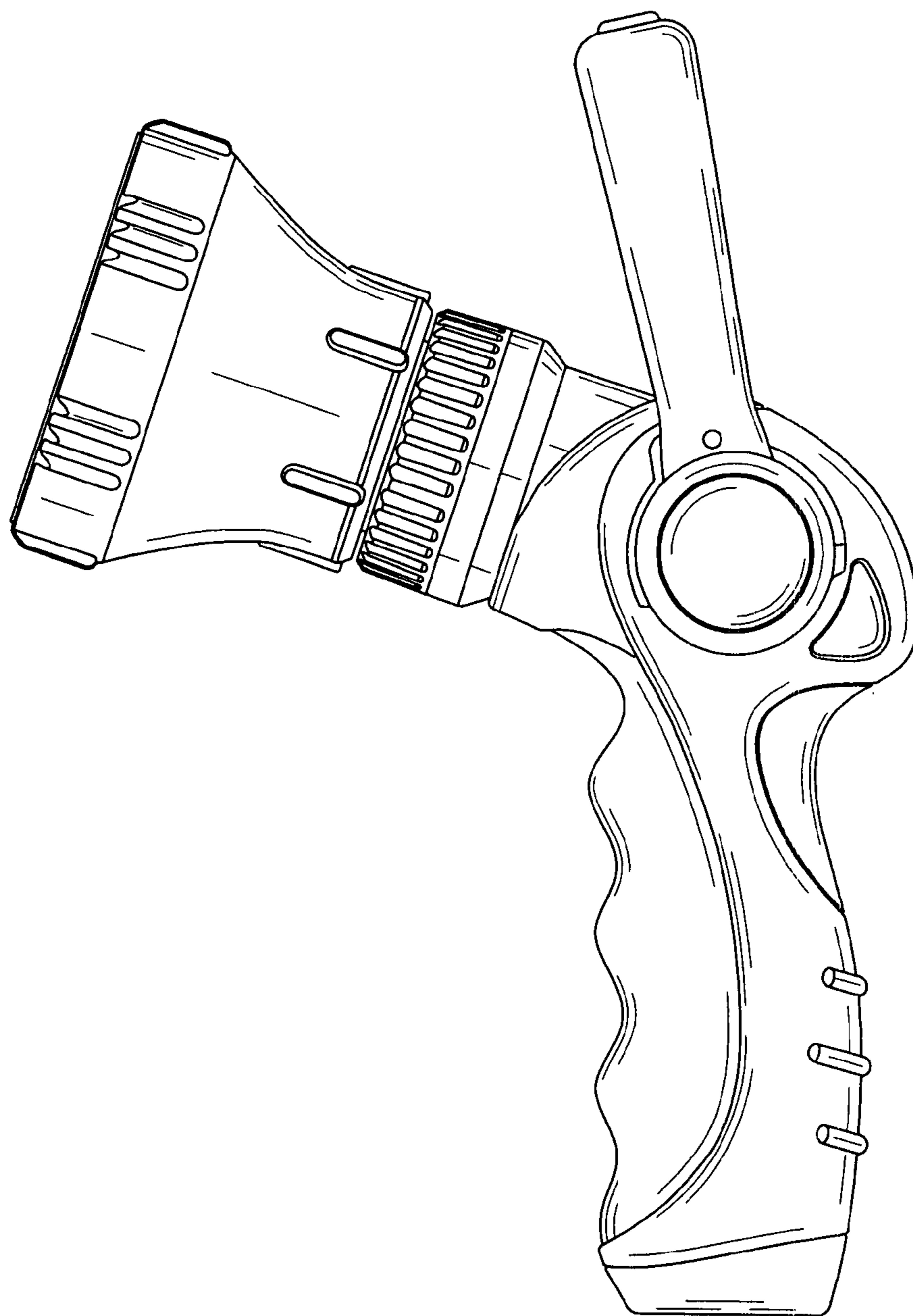
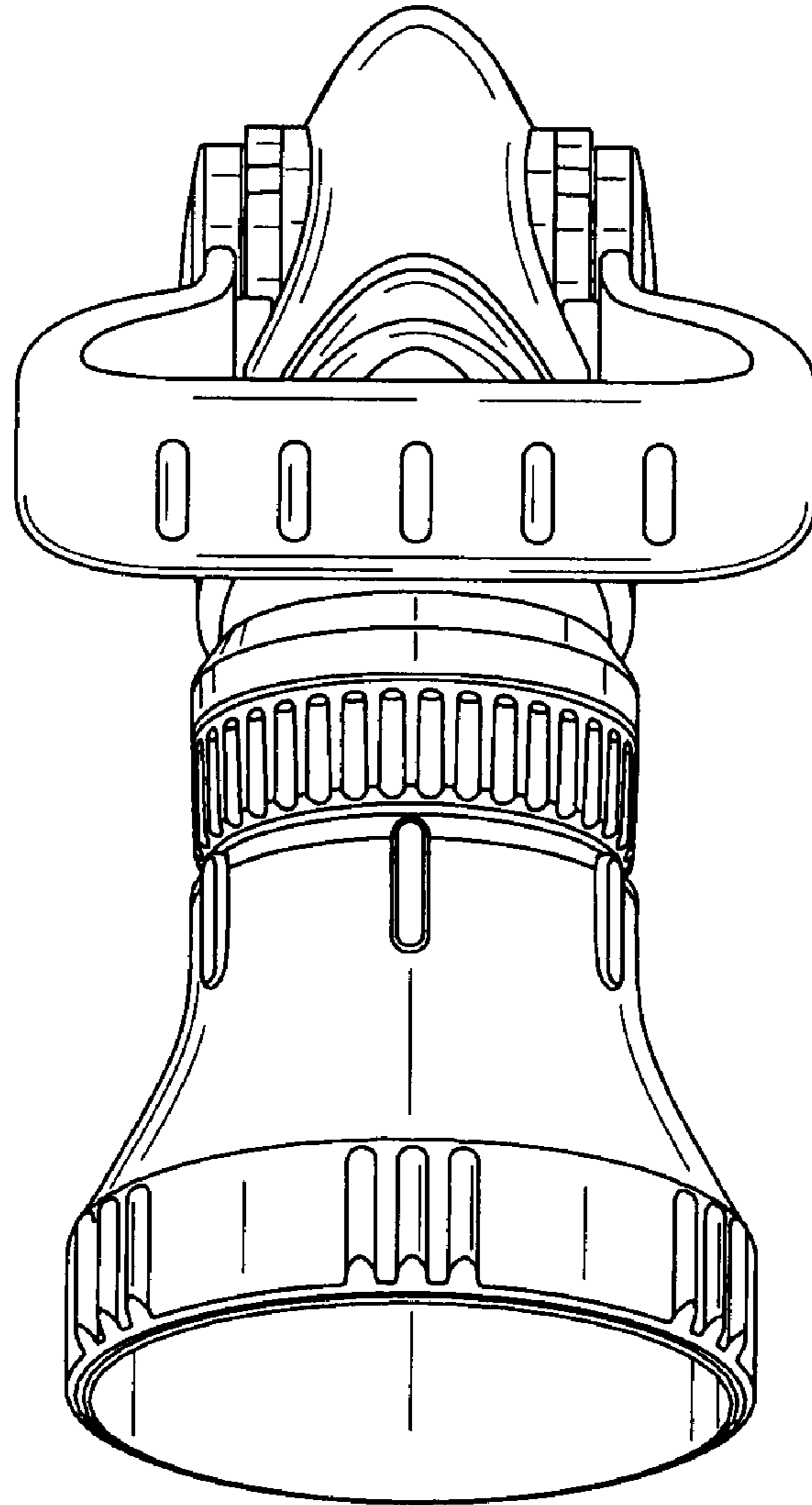


FIG. 5



**FIG. 6**

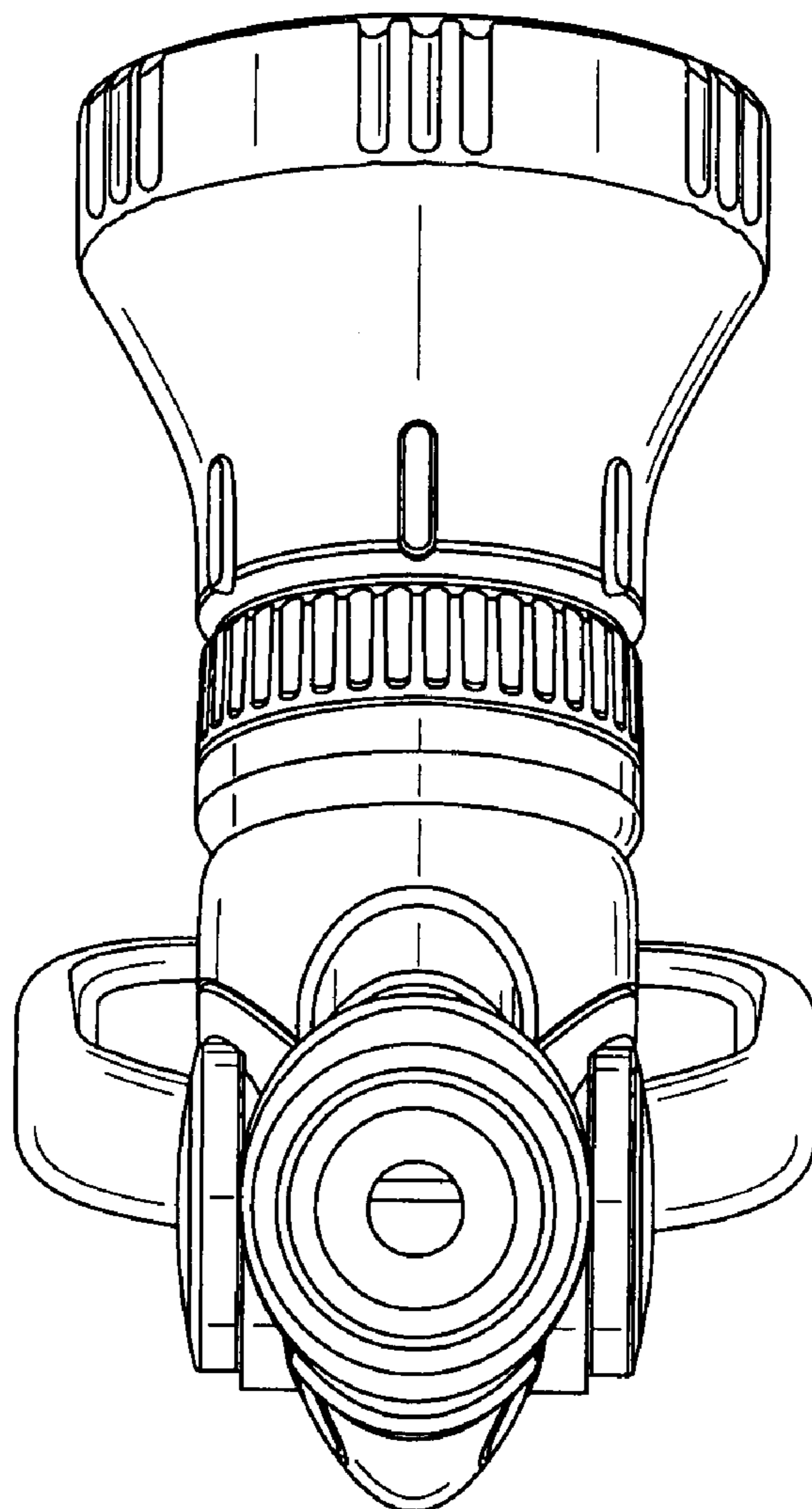


FIG. 7