



US00D576251S

(12) **United States Design Patent**
Schönherr et al.

(10) **Patent No.:** **US D576,251 S**

(45) **Date of Patent:** **** Sep. 2, 2008**

(54) **SHOWER HEAD FACE**

(75) Inventors: **Tom Schönherr**, Stuttgart (DE); **Fabian Kollmann**, Stuttgart (DE)

(73) Assignee: **Hansgrohe AG** (DE)

(**) Term: **14 Years**

(21) Appl. No.: **29/277,218**

(22) Filed: **Feb. 19, 2007**

(30) **Foreign Application Priority Data**

Aug. 22, 2006 (EM) 000579586-0001

(51) **LOC (8) Cl.** **23-01**

(52) **U.S. Cl.** **D23/213**

(58) **Field of Classification Search** D23/213,
D23/223, 226, 229–230; 239/394, 282–283,
239/460

See application file for complete search history.

(56) **References Cited**

U.S. PATENT DOCUMENTS

D352,092 S * 11/1994 Warshawsky D23/213

D489,793 S * 5/2004 Haug et al. D23/223

D497,974 S * 11/2004 Haug et al. D23/223

D513,525 S * 1/2006 Haug et al. D23/223

D551,737 S * 9/2007 Haug et al. D23/223

D557,763 S * 12/2007 Schönherr et al. D23/213

D557,765 S * 12/2007 Schönherr et al. D23/213

* cited by examiner

Primary Examiner—Robin V Webster

(74) *Attorney, Agent, or Firm*—Leon E. Redman; Lloyd D. Doigan

(57) **CLAIM**

The ornamental design for a shower head face, as shown and described.

DESCRIPTION

FIG. 1 is a front perspective view of a shower head face showing our design;

FIG. 2 is a top plan view thereof;

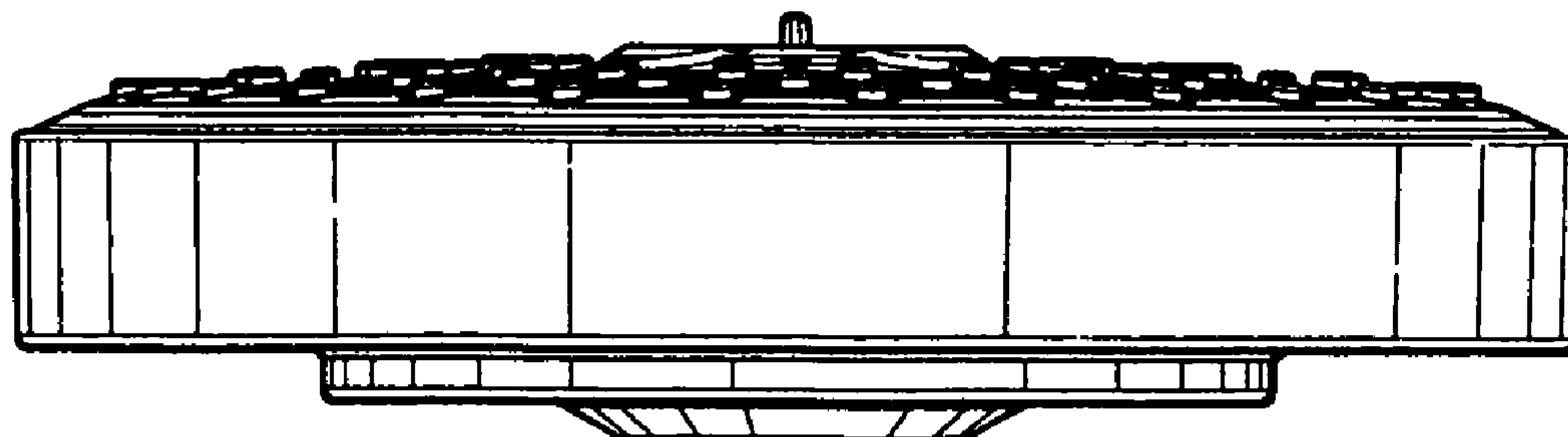
FIG. 3 is a front elevational view thereof;

FIG. 4 is a bottom plan view thereof;

FIG. 5 is a left side elevational view thereof; the right side elevational view being a mirror image thereof; and,

FIG. 6 is a rear elevational view thereof.

1 Claim, 3 Drawing Sheets



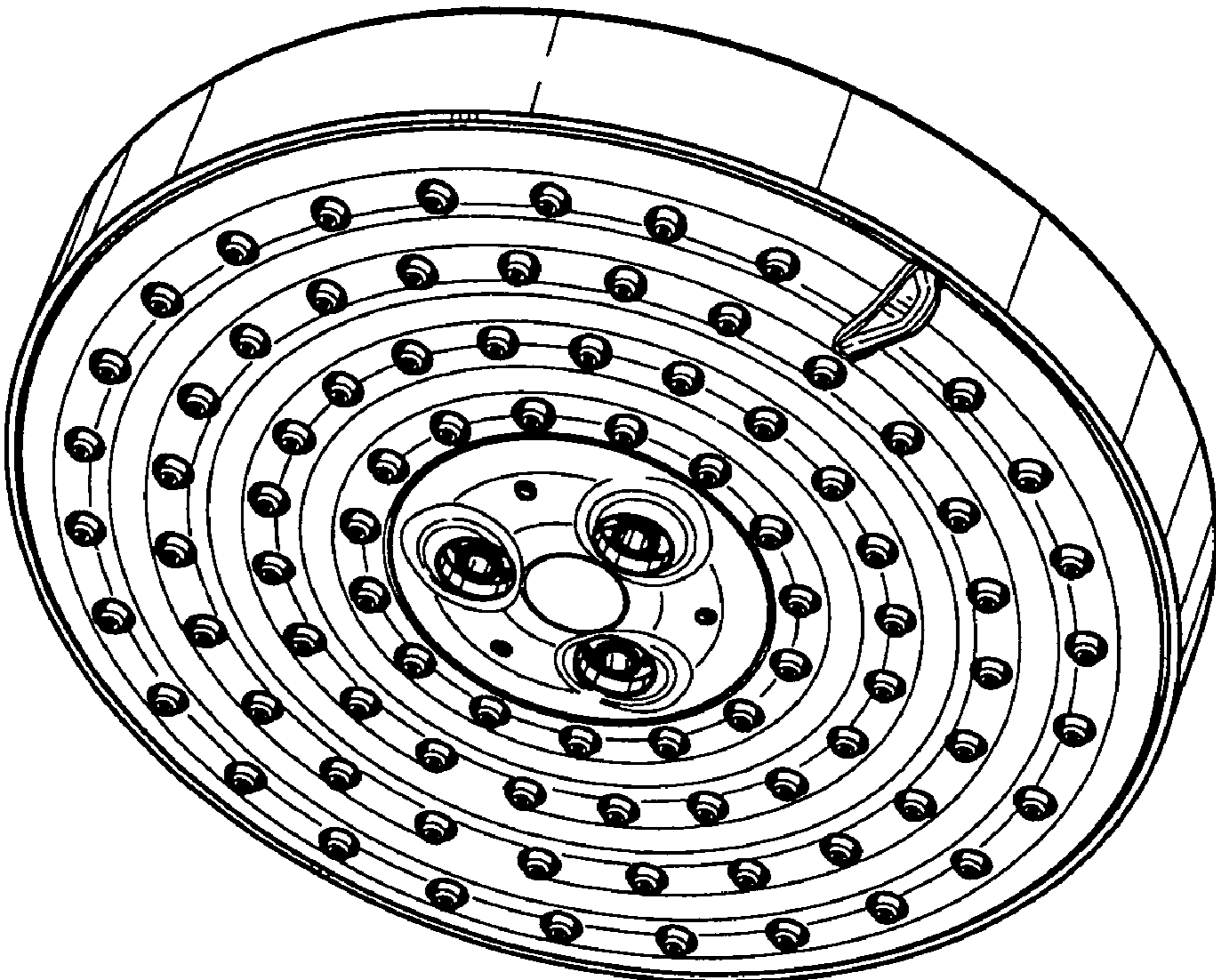


FIG. 1

FIG. 2

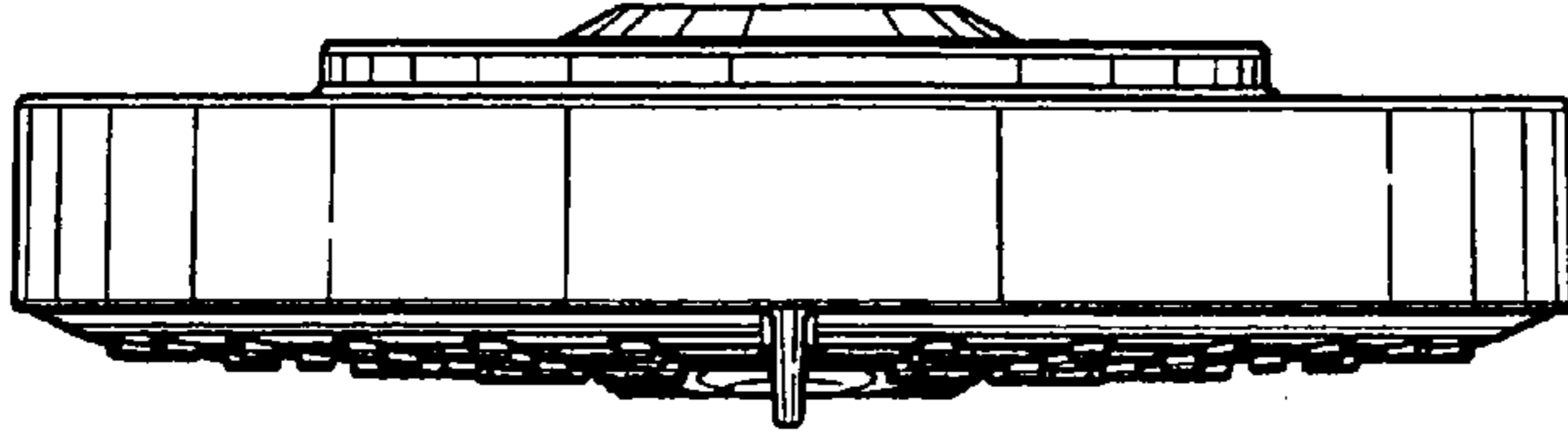


FIG. 3

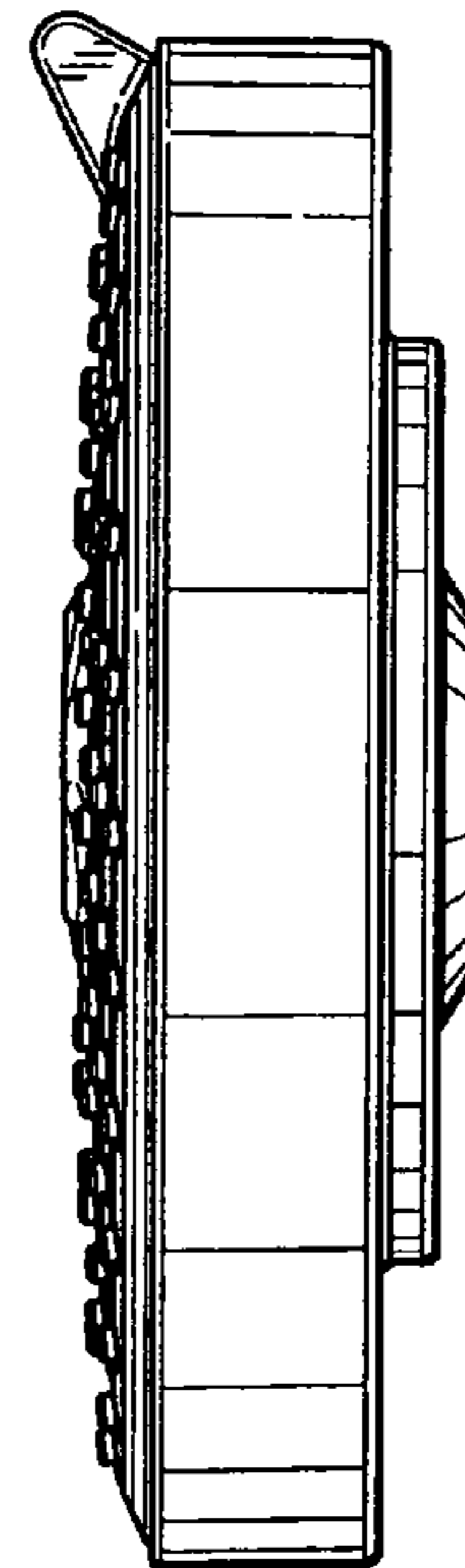
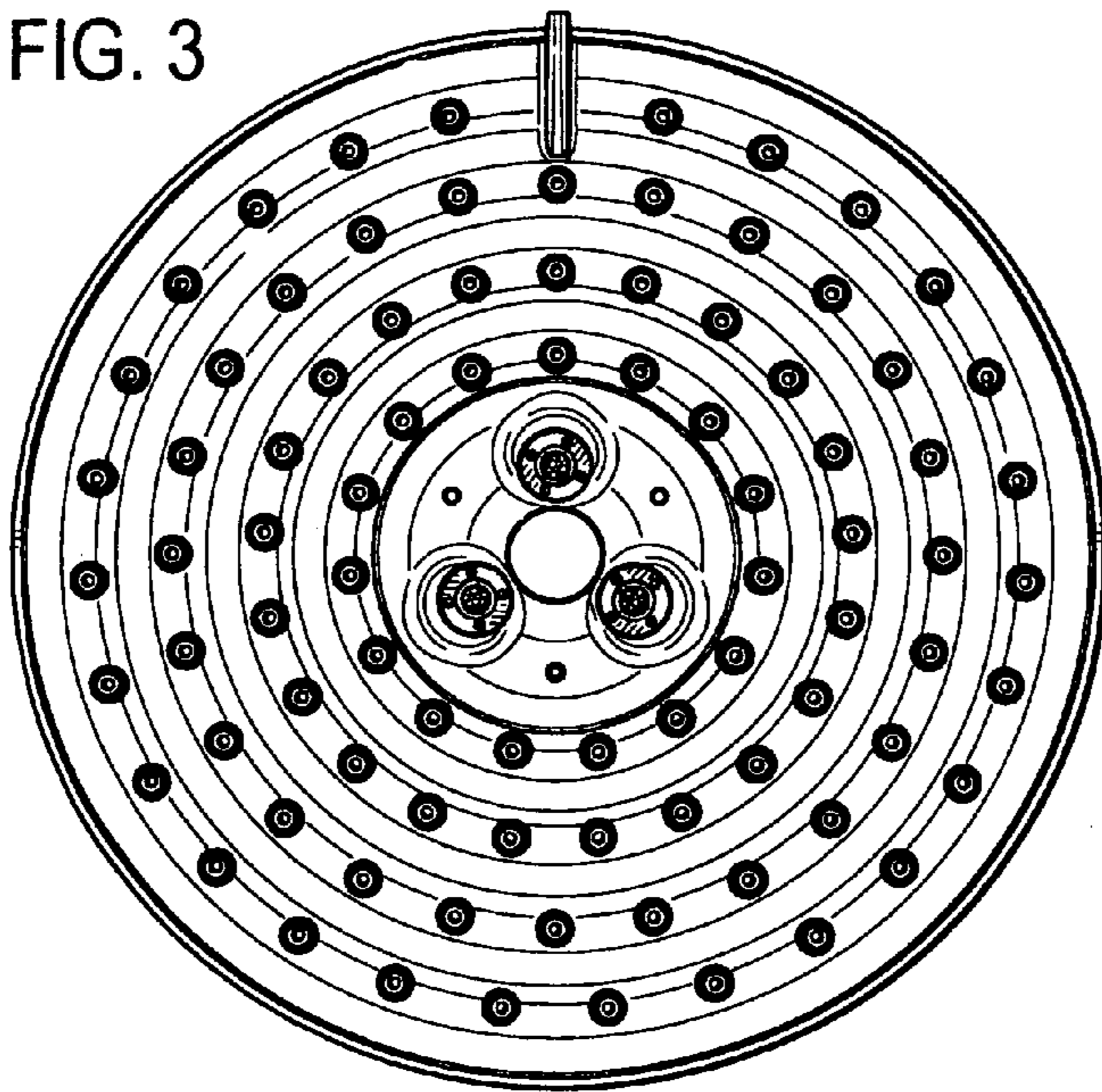


FIG. 5

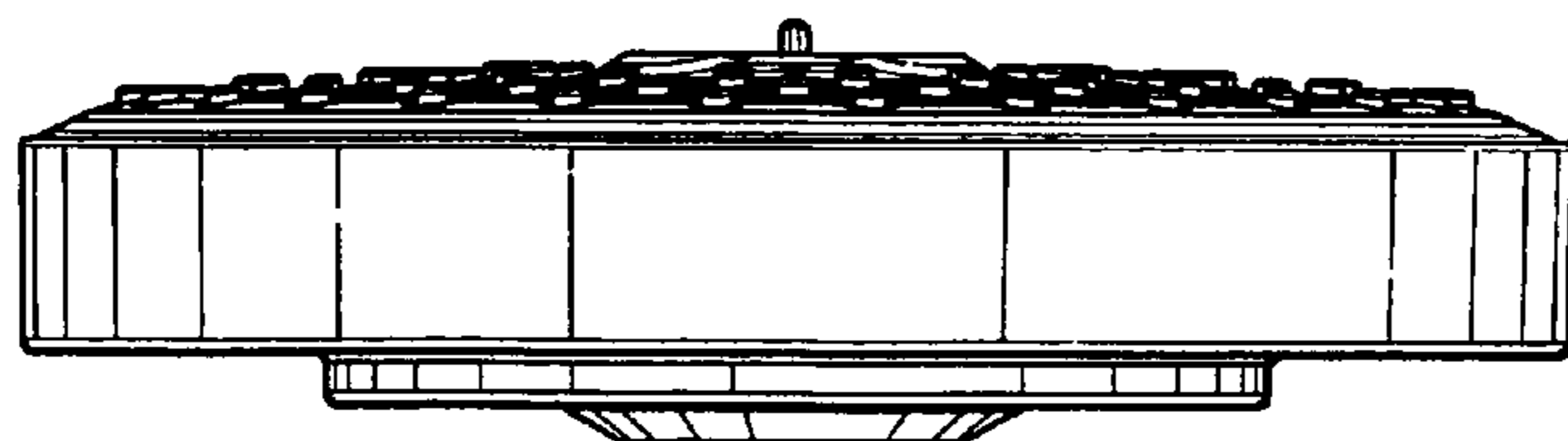


FIG. 4

FIG. 6

