



US00D576248S

(12) **United States Design Patent**  
**Jianwei**

(10) **Patent No.:** **US D576,248 S**

(45) **Date of Patent:** **\*\* Sep. 2, 2008**

(54) **REEL**

D483,091 S \* 12/2003 Griffiths et al. .... D22/137

(75) Inventor: **Sun Jianwei**, Shanghai (CN)

\* cited by examiner

(73) Assignee: **American Electic Cord, Inc.** (CN)

*Primary Examiner*—Catherine R Oliver

(\*\*) Term: **14 Years**

(74) *Attorney, Agent, or Firm*—Stephen M. Nipper; Dykas, Shaver & Nipper, LLP

(21) Appl. No.: **29/295,383**

(57) **CLAIM**

(22) Filed: **Sep. 27, 2007**

The ornamental design for a reel, as shown and described.

(51) **LOC (8) Cl.** ..... **22-05**

(52) **U.S. Cl.** ..... **D22/137**

(58) **Field of Classification Search** ..... D22/137-141;  
242/381, 322, 118.4, 118.6, 118.7, 311, 295,  
242/20-21; 43/20-21

See application file for complete search history.

**DESCRIPTION**

FIG. 1 is a perspective view of the reel;

FIG. 2 is a bottom plan view, of the reel;

FIG. 3 is a first side view of the reel;

FIG. 4 is a top plan view of the reel;

FIG. 5 is a rear view of the reel;

FIG. 6 is a second side view of the reel; and,

FIG. 7 is a front view of the reel.

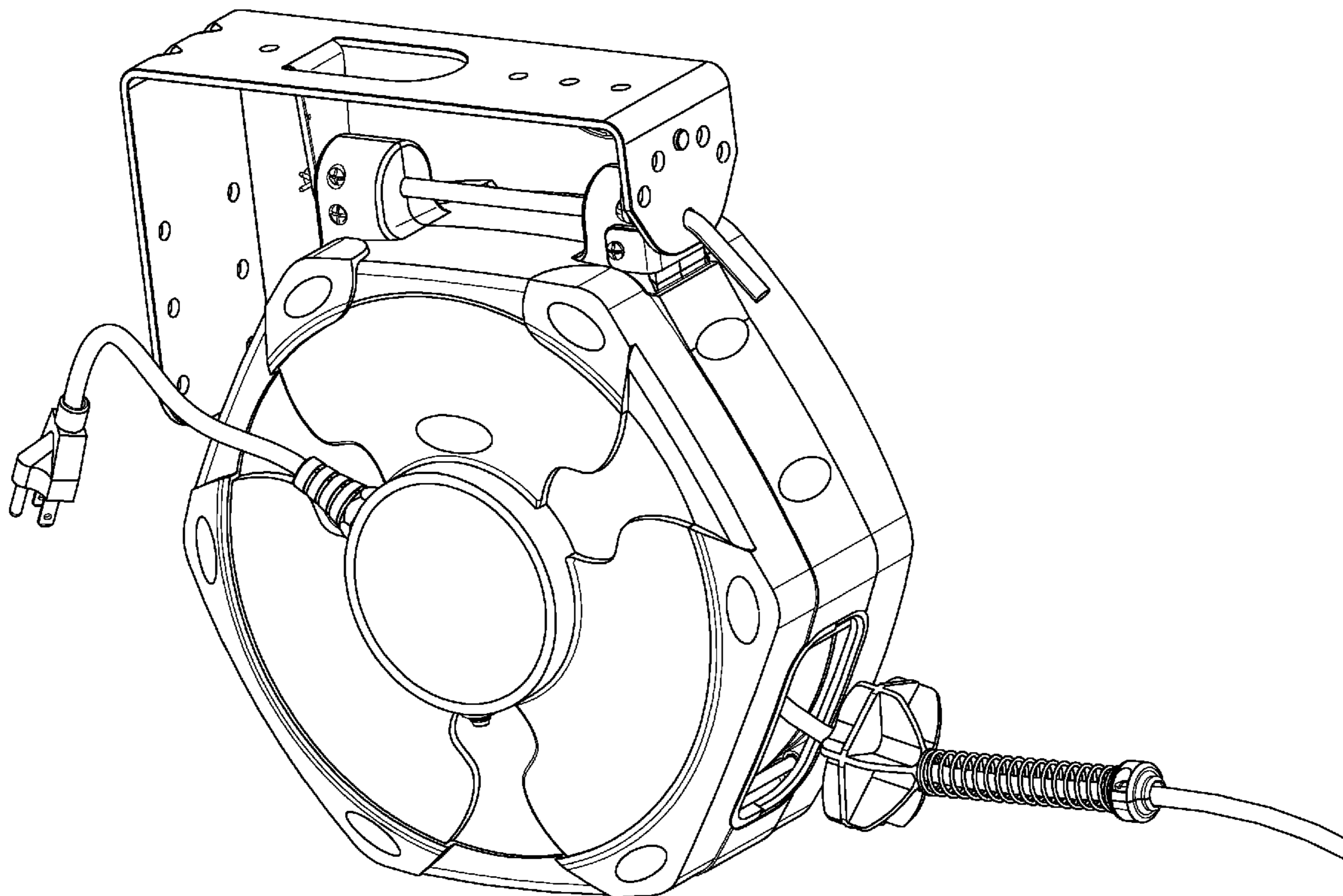
(56) **References Cited**

**U.S. PATENT DOCUMENTS**

D412,023 S \* 7/1999 Shields ..... D22/137

6,488,224 B1 \* 12/2002 Hiebenthal ..... 242/381

**1 Claim, 3 Drawing Sheets**



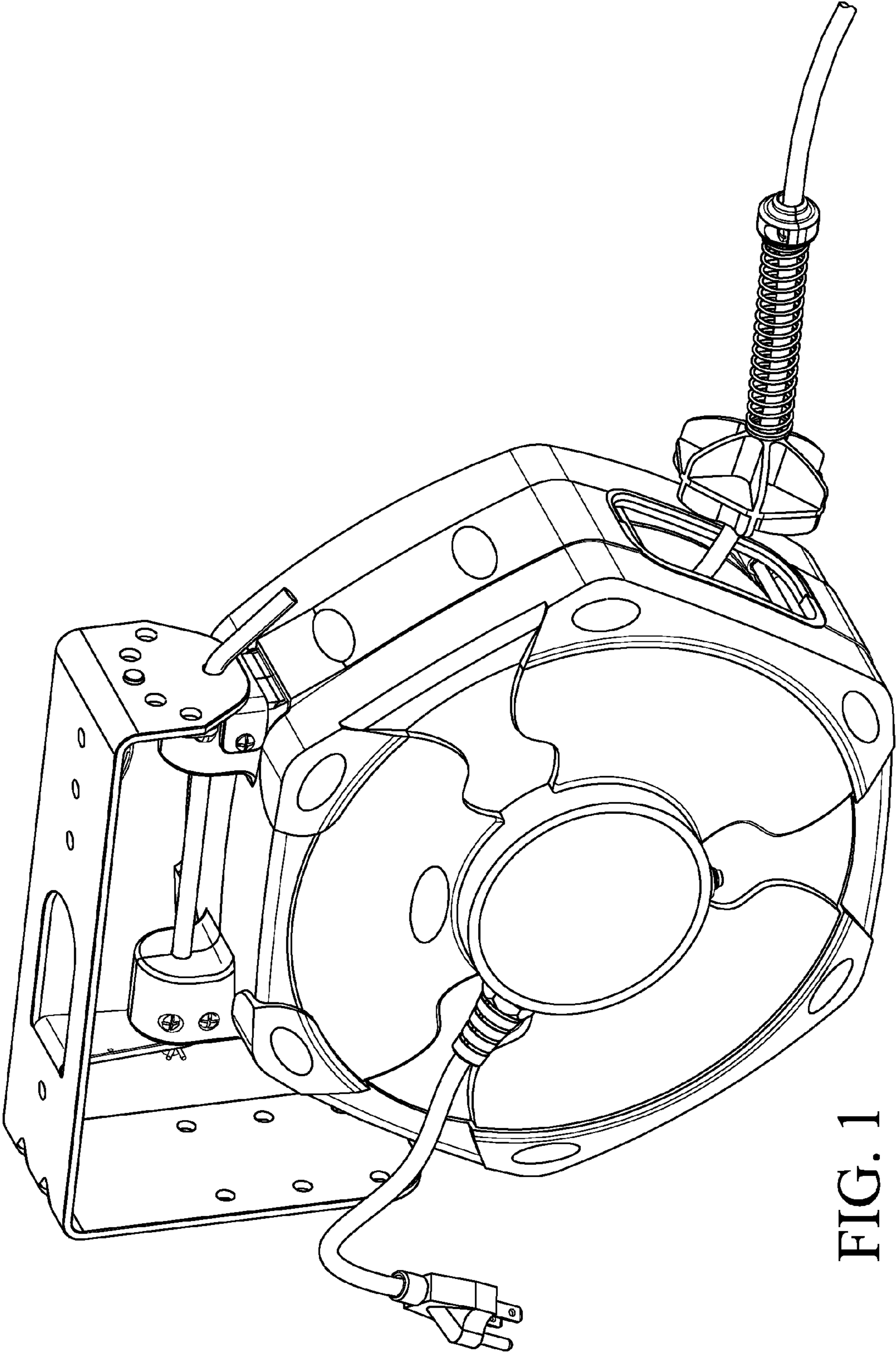


FIG. 1

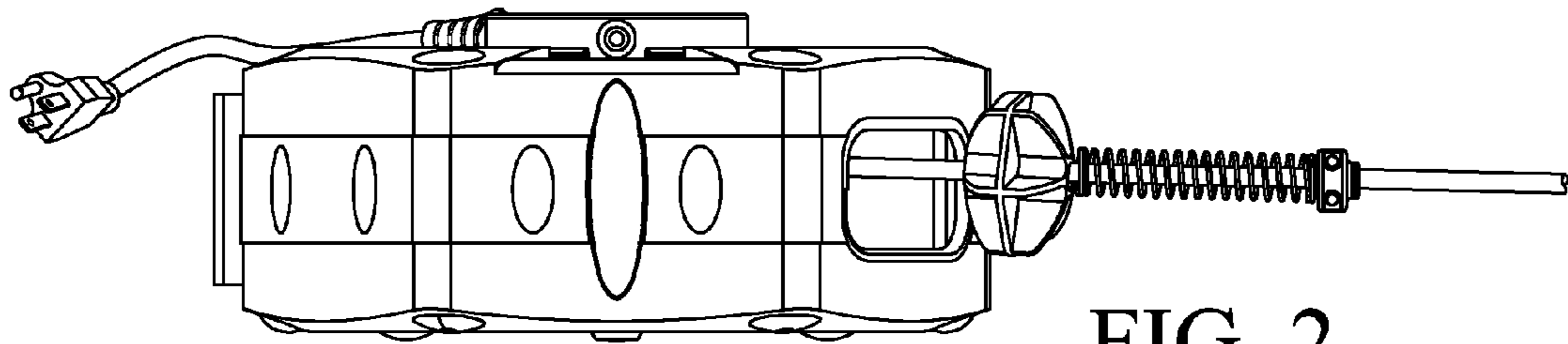


FIG. 2

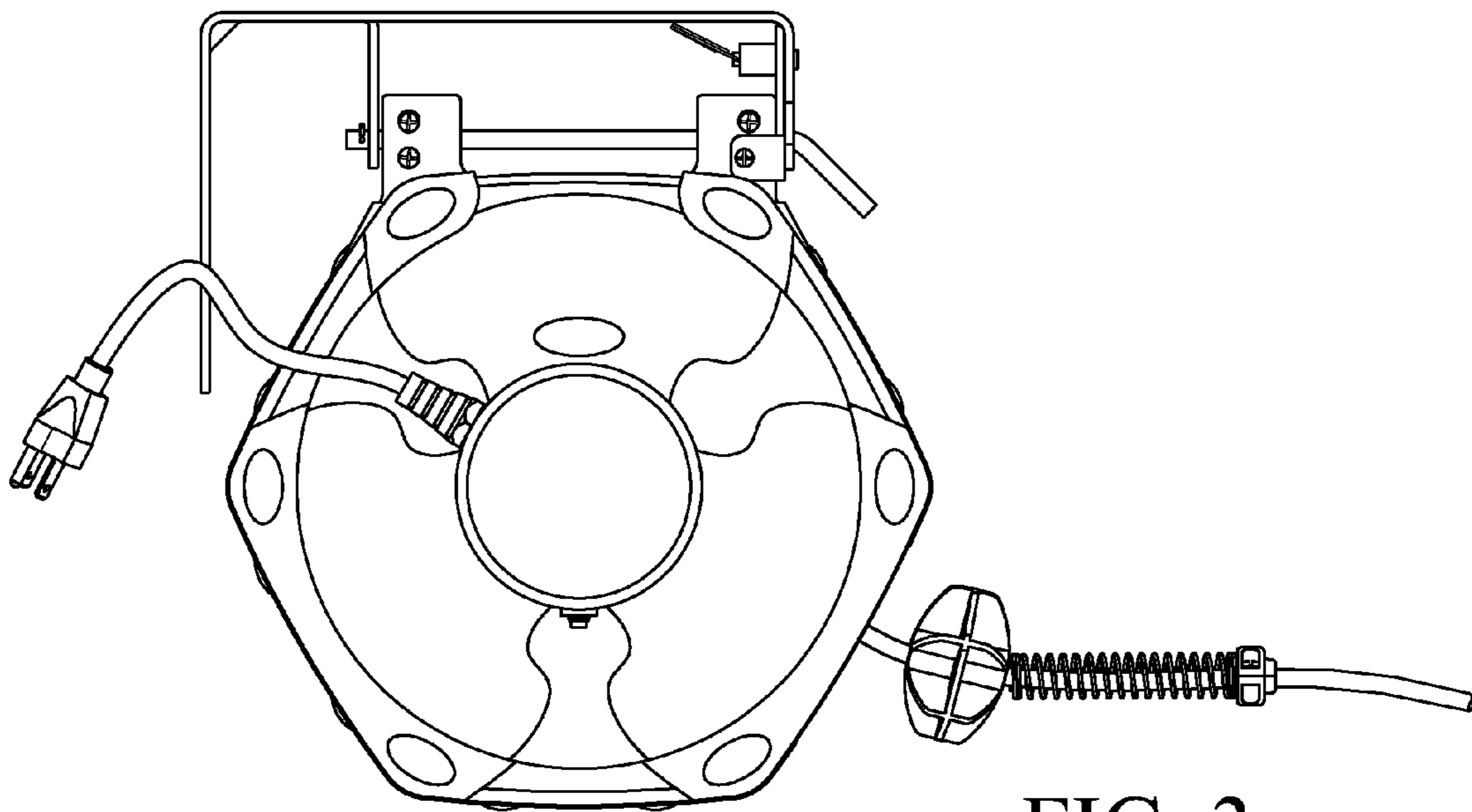


FIG. 3

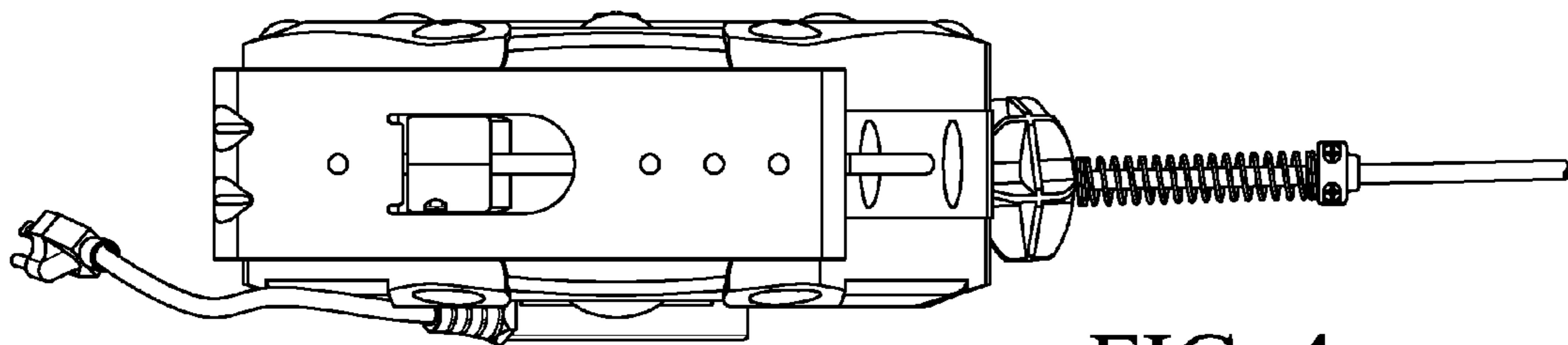


FIG. 4

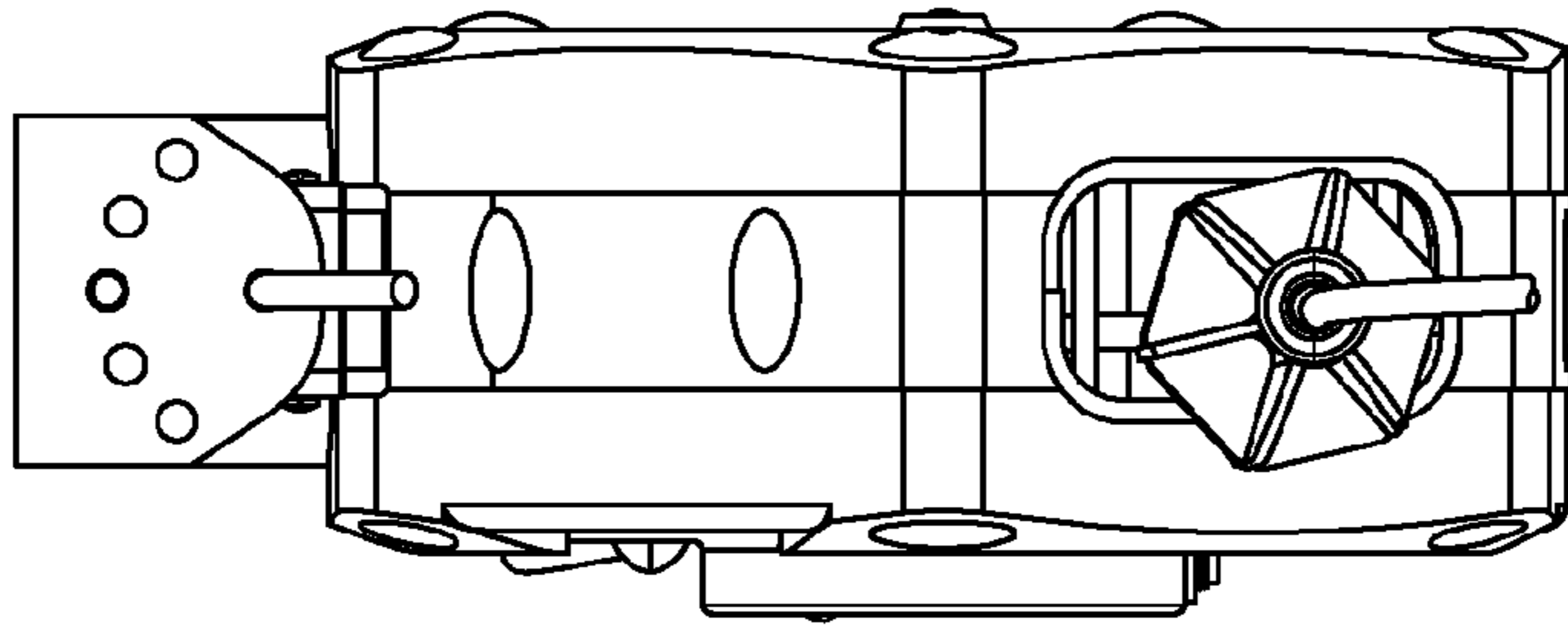


FIG. 7

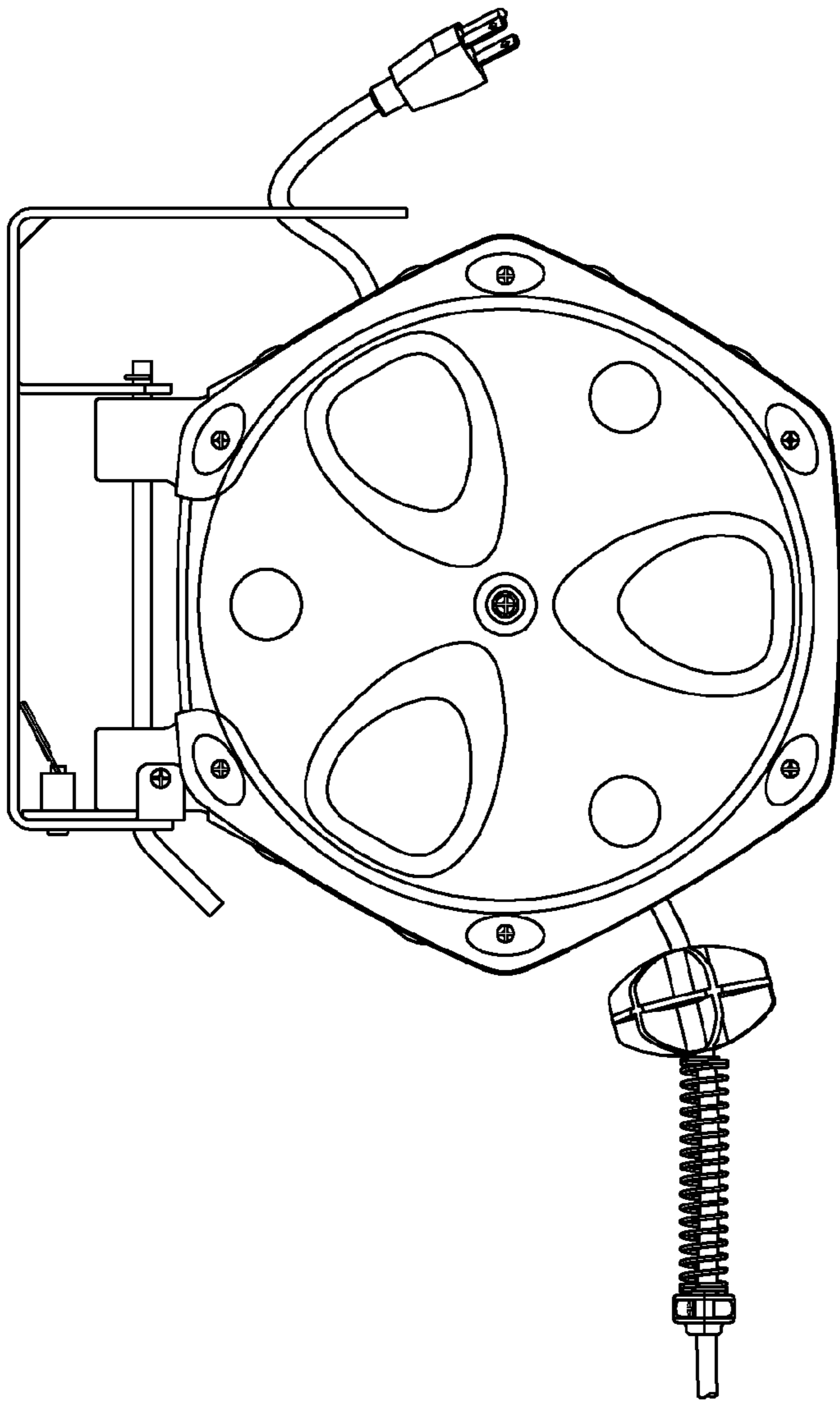


FIG. 6

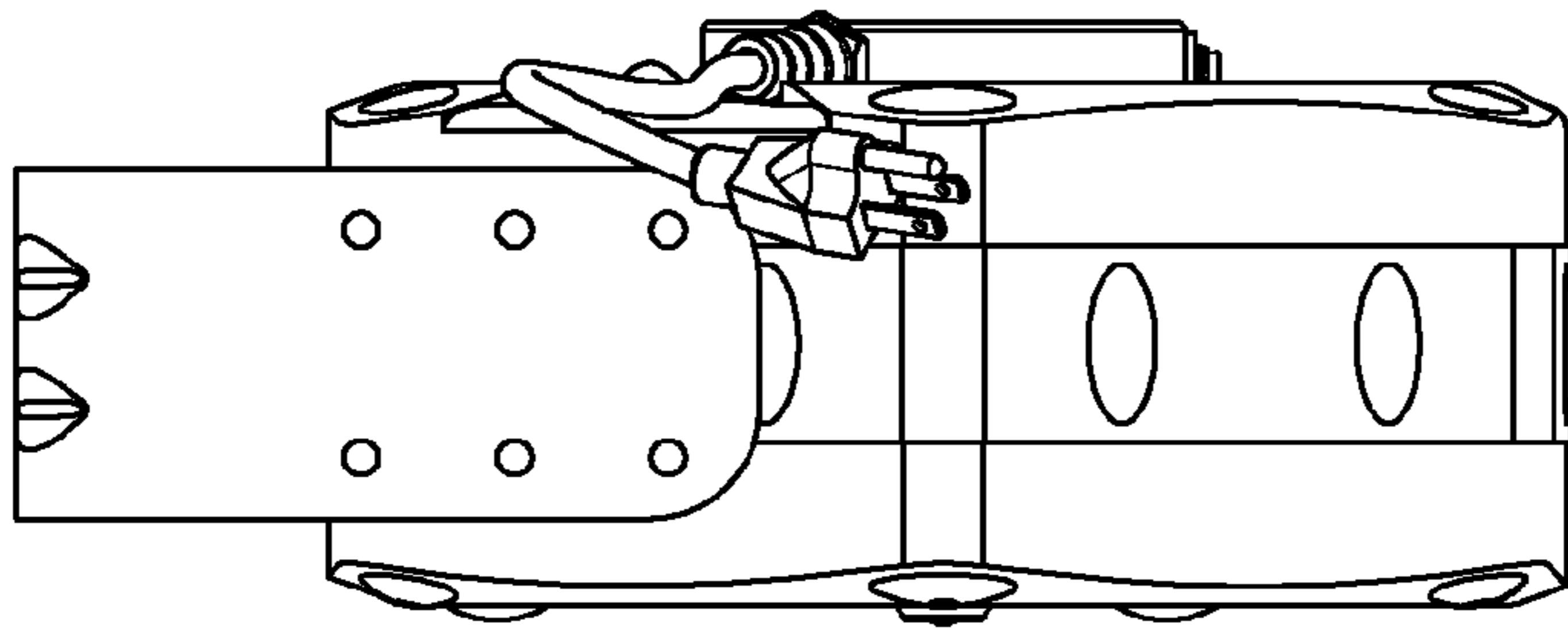


FIG. 5