



US00D576245S

(12) **United States Design Patent**  
**Potterfield et al.**

(10) **Patent No.:** **US D576,245 S**

(45) **Date of Patent:** **\*\* Sep. 2, 2008**

(54) **FIREARM SUPPORT**

D540,904 S \* 4/2007 Werner ..... D22/108

(75) Inventors: **Russell A. Potterfield**, Columbia, MO (US); **Brook Banham**, San Francisco, CA (US)

\* cited by examiner

*Primary Examiner*—Ian Simmons

*Assistant Examiner*—Melanie Levy

(73) Assignee: **Battenfeld Technologies, Inc.**, Columbia, MO (US)

(74) *Attorney, Agent, or Firm*—Perkins Coie LLP

(\*\*) Term: **14 Years**

(57) **CLAIM**

(21) Appl. No.: **29/278,643**

The ornamental design for a firearm support, as shown and described.

(22) Filed: **Apr. 4, 2007**

**DESCRIPTION**

(51) **LOC (8) Cl.** ..... **22-01**

FIG. 1 is an isometric view of an embodiment of a firearm support.

(52) **U.S. Cl.** ..... **D22/108**

FIG. 2 is a left side view thereof.

(58) **Field of Classification Search** ..... D22/103,  
D22/104, 108, 199; 42/94, 106; 248/177.1;  
89/37.04

FIG. 3 is a right side view thereof.

FIG. 4 is a front elevational view thereof.

See application file for complete search history.

FIG. 5 is a rear elevational view thereof.

FIG. 6 is a top plan view thereof; and,

FIG. 7 is a bottom view thereof.

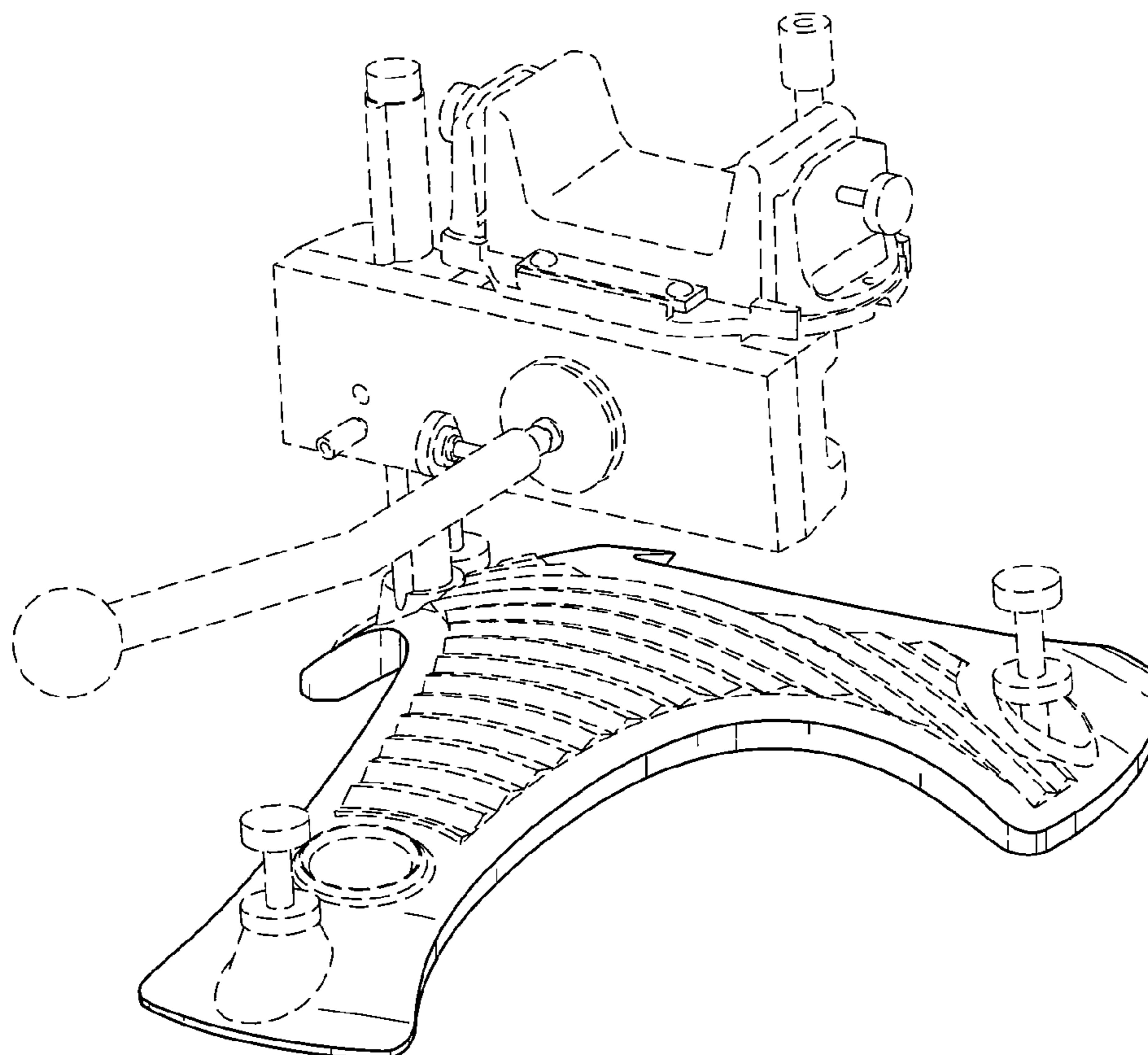
(56) **References Cited**

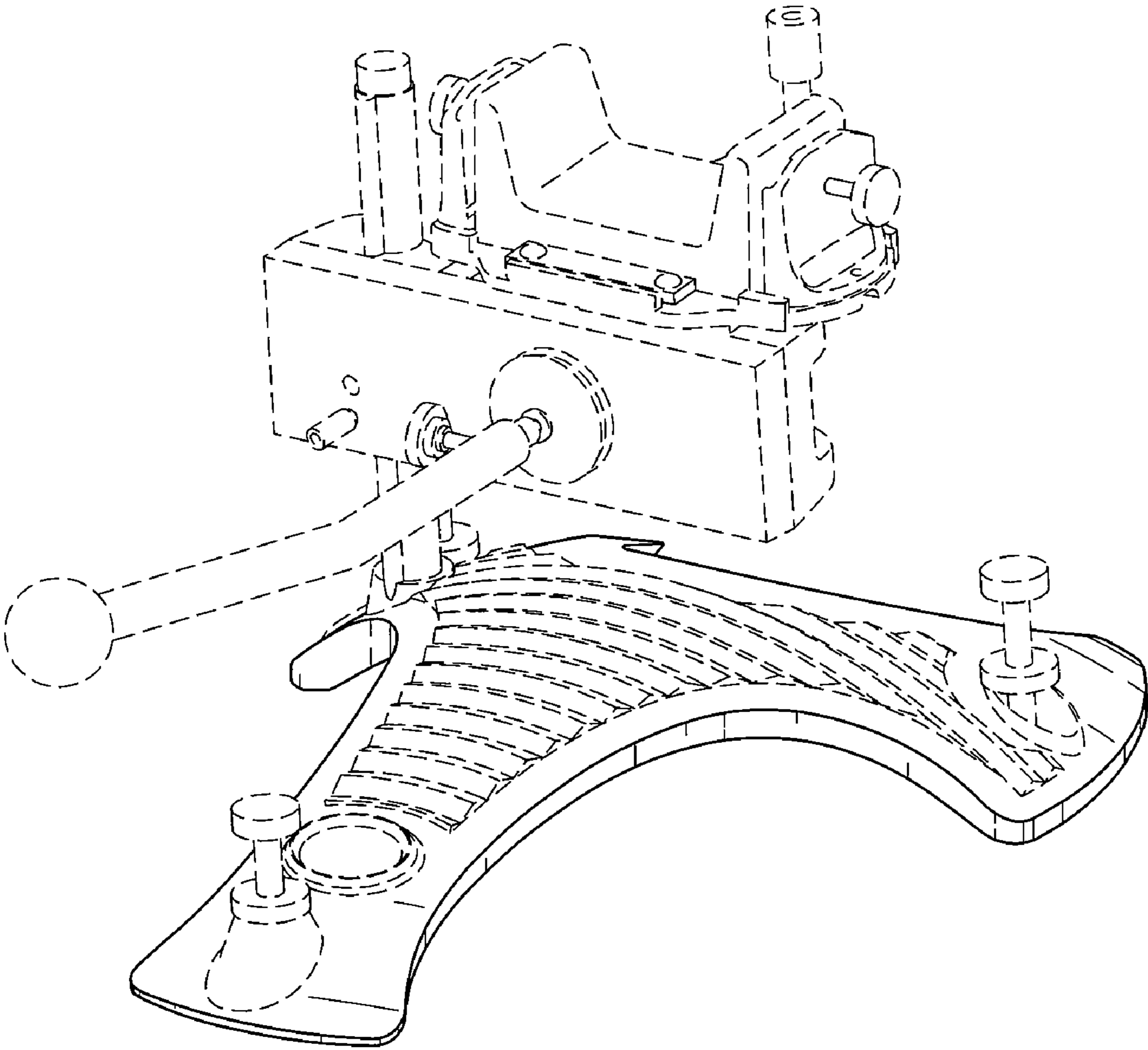
The broken lines in the drawings form no part of the claimed design.

**U.S. PATENT DOCUMENTS**

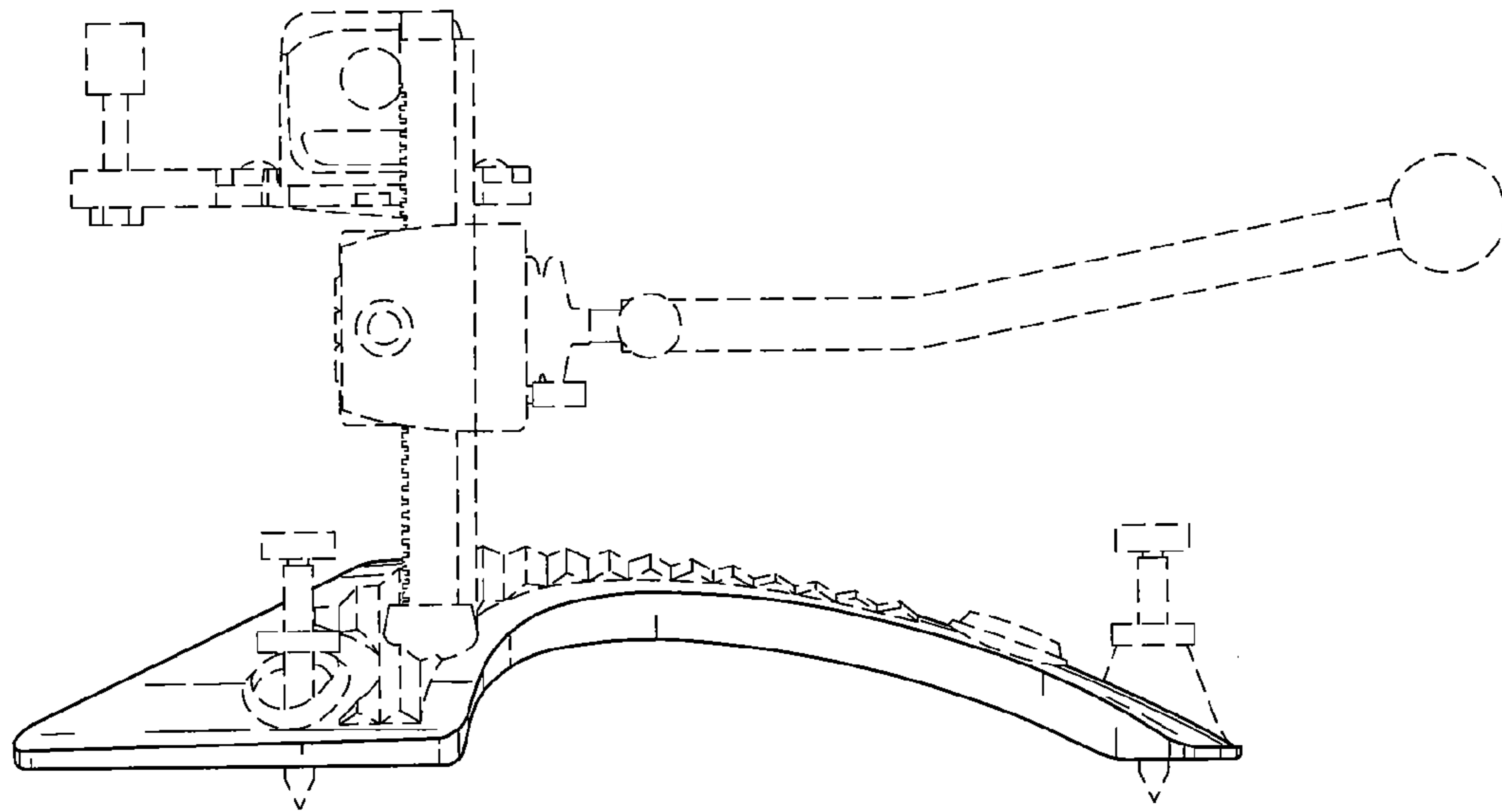
- 3,012,350 A \* 12/1961 Wold ..... 89/37.04
- 4,558,531 A \* 12/1985 Kilby ..... 42/94
- D387,123 S \* 12/1997 Hughes et al. .... D22/108
- D519,183 S \* 4/2006 Minneman ..... D22/108

**1 Claim, 4 Drawing Sheets**

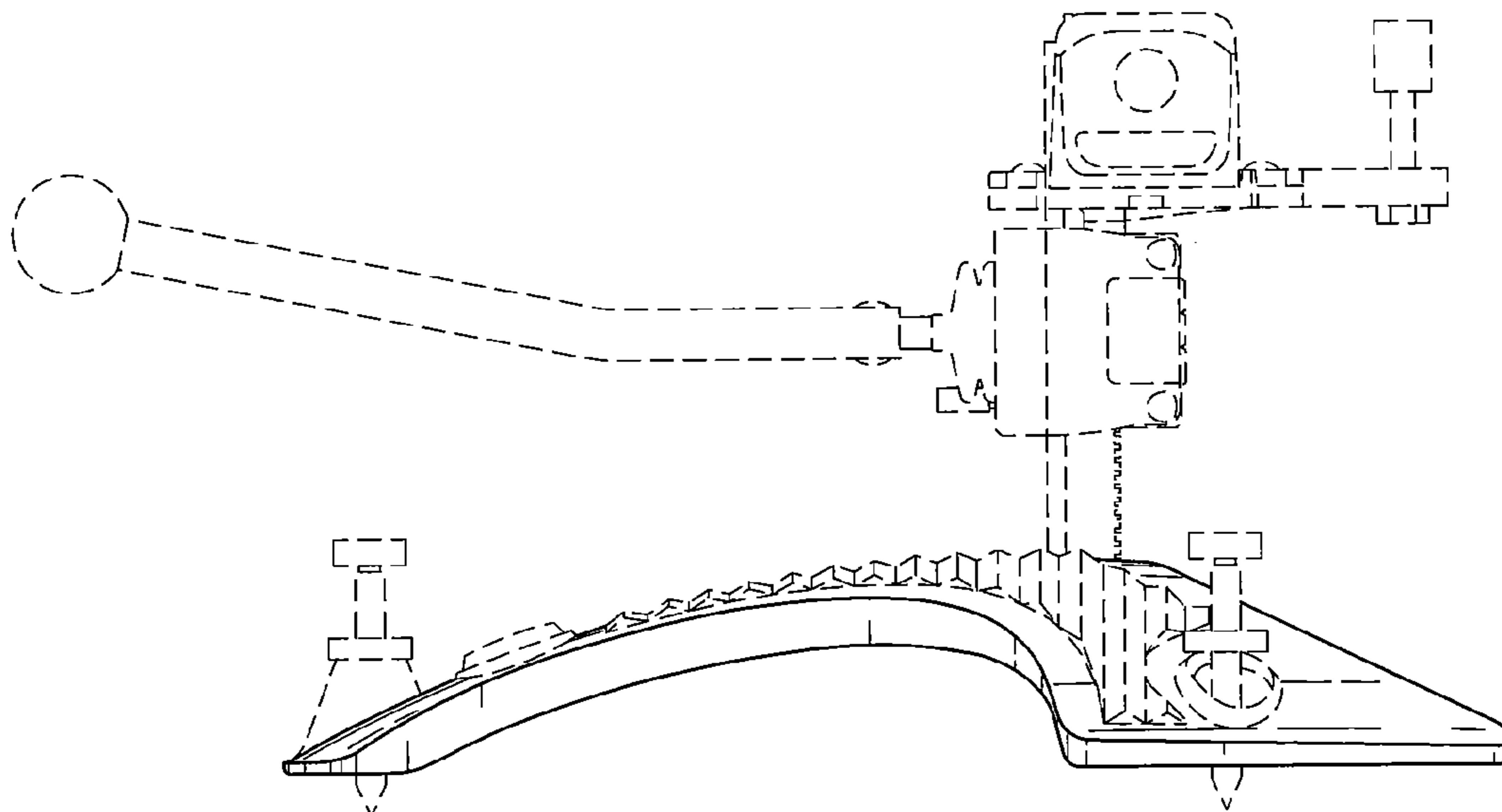




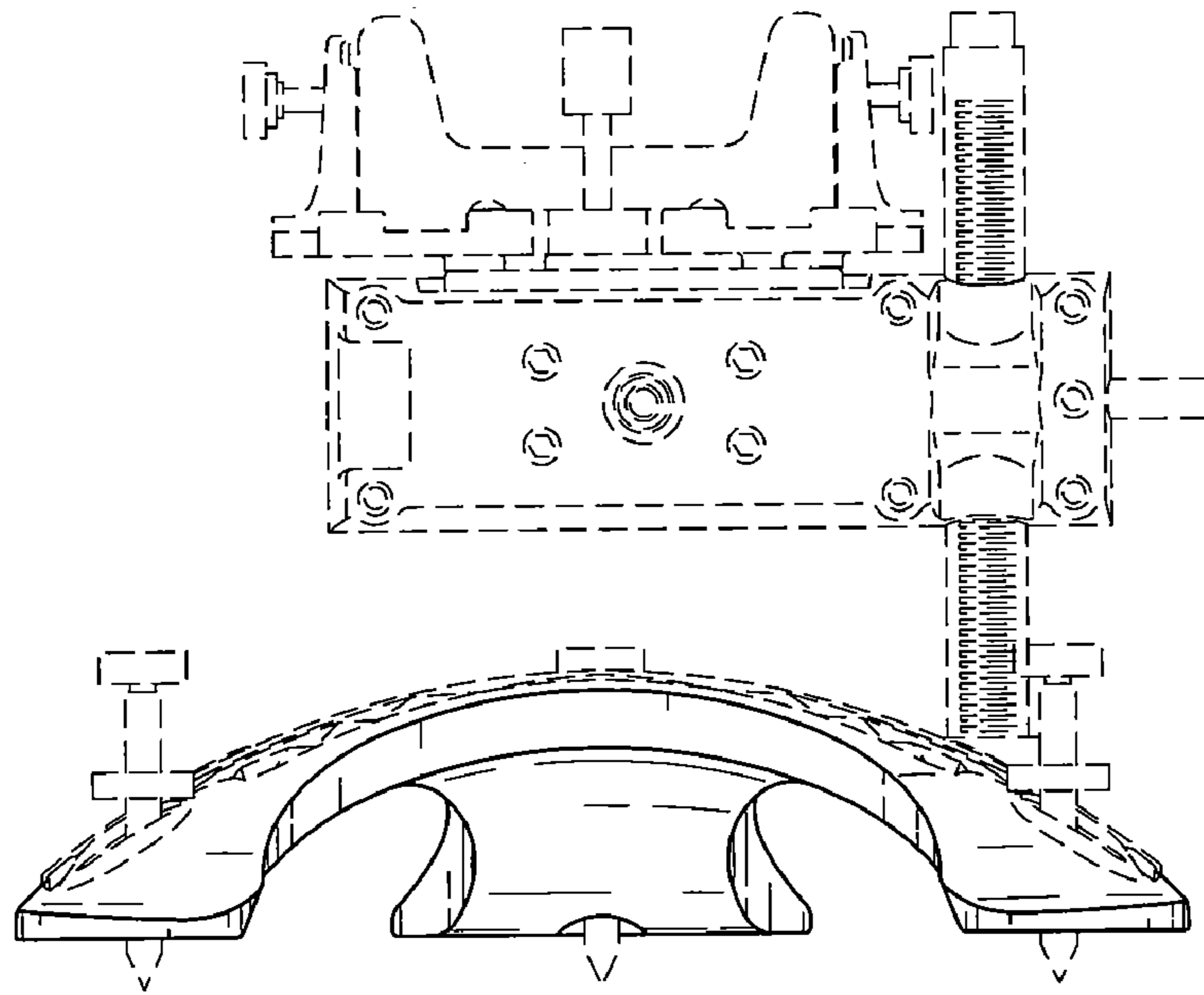
*Fig. 1*



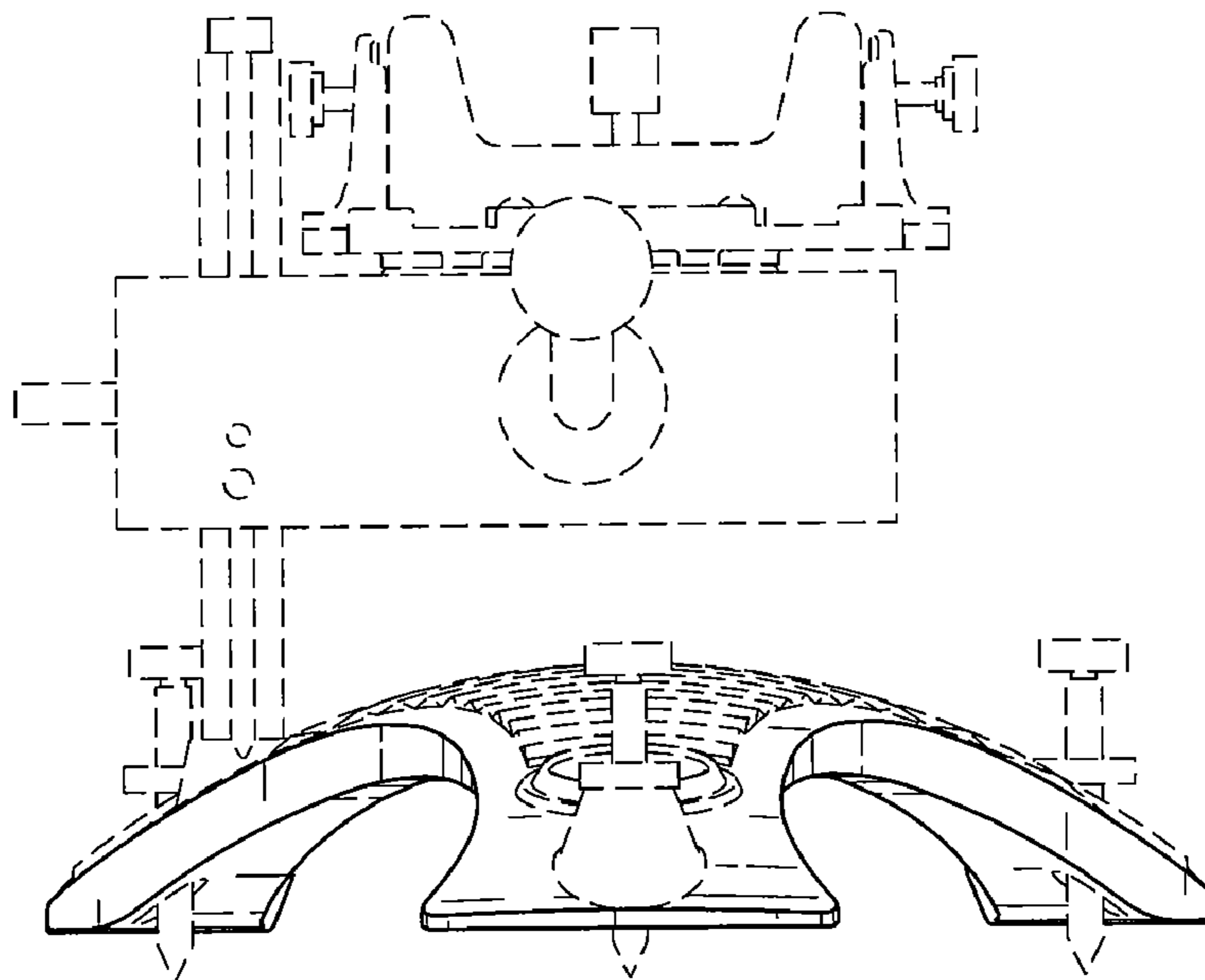
*Fig. 2*



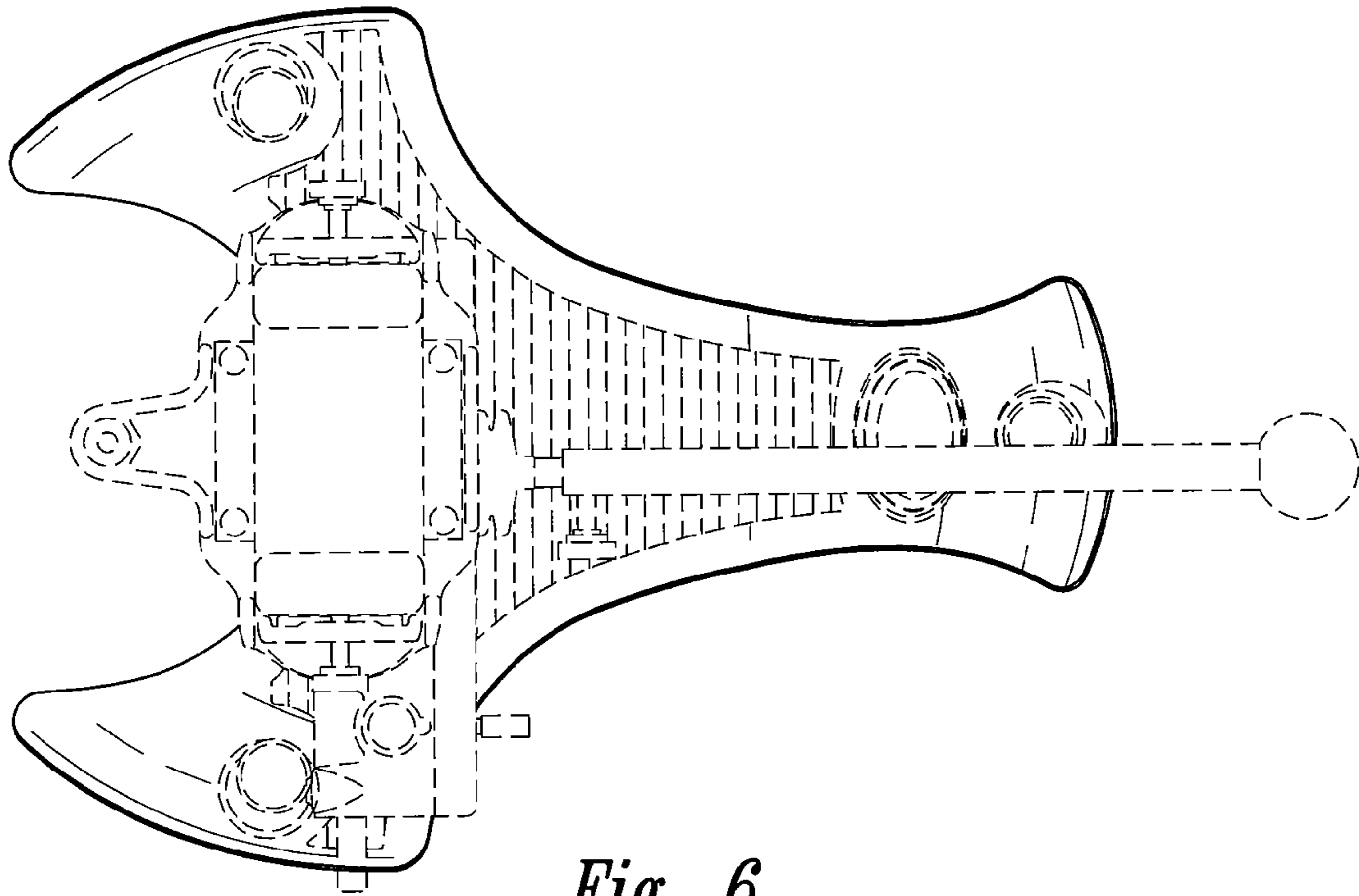
*Fig. 3*



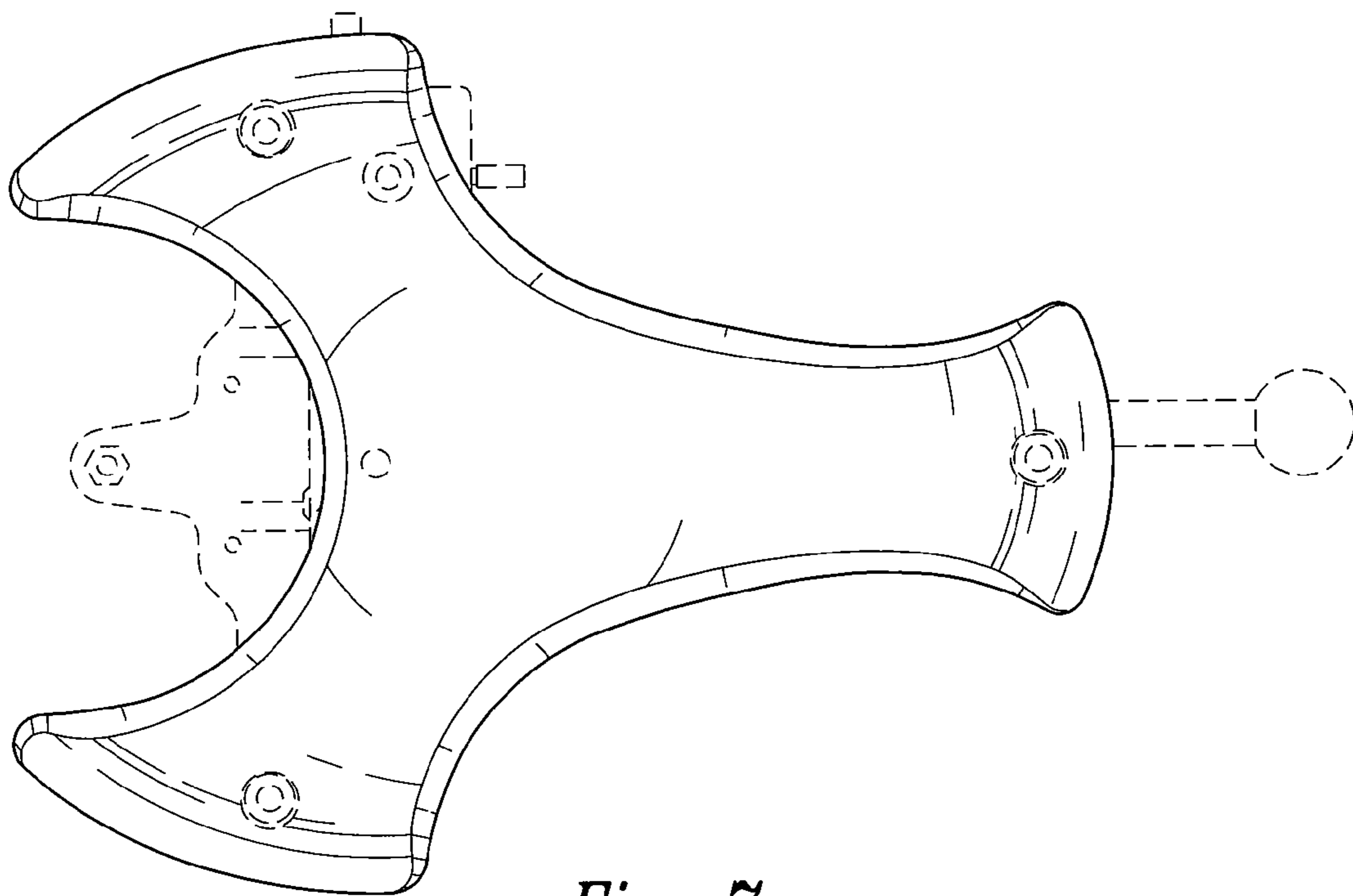
*Fig. 4*



*Fig. 5*



*Fig. 6*



*Fig. 7*