



US00D576243S

(12) **United States Design Patent**
Moseley

(10) **Patent No.:** **US D576,243 S**

(45) **Date of Patent:** **** Sep. 2, 2008**

(54) **FLOTATION DEVICE**

D494,652 S * 8/2004 Otto D21/805
6,786,786 B1 * 9/2004 Davis 441/120

(76) Inventor: **Kevin Moseley**, 4 Crabtree Close,
Burscough, Lancashire (GB) L40 7UN

* cited by examiner

(**) Term: **14 Years**

Primary Examiner—Janice E. Seeger
Assistant Examiner—Zenia I Bennett
(74) *Attorney, Agent, or Firm*—Gallop, Johnson & Neuman,
L.C.; Kenneth Solomon, Esq.

(21) Appl. No.: **29/268,110**

(22) Filed: **Oct. 30, 2006**

(57) **CLAIM**

(30) **Foreign Application Priority Data**

May 5, 2006 (EM) 000523725

The ornamental design for a flotation device, as shown and described.

(51) **LOC (8) Cl.** **21-02**

(52) **U.S. Cl.** **D21/803**

(58) **Field of Classification Search** D21/769–770,
D21/801, 803, 806, 809; D6/392, 596, 601,
D6/604; D12/5, 6, 316; 472/128–129; 114/253,
114/345, 346; 441/35, 40–42, 66, 129–132
See application file for complete search history.

DESCRIPTION

FIG. 1 is a perspective view of a flotation device in accordance with the invention, a strap therethrough illustrative of an environment for the flotation device not forming a part of the design and therefore being shown in phantom lines;

FIG. 2 is a left side view perspective of the flotation device in FIG. 1, the right side being a mirror image of the left side;

FIG. 3 is a second left side perspective view of the flotation device;

FIG. 4 is a top plan view of the flotation device; and,

FIG. 5 is a rear elevational view of the flotation device.

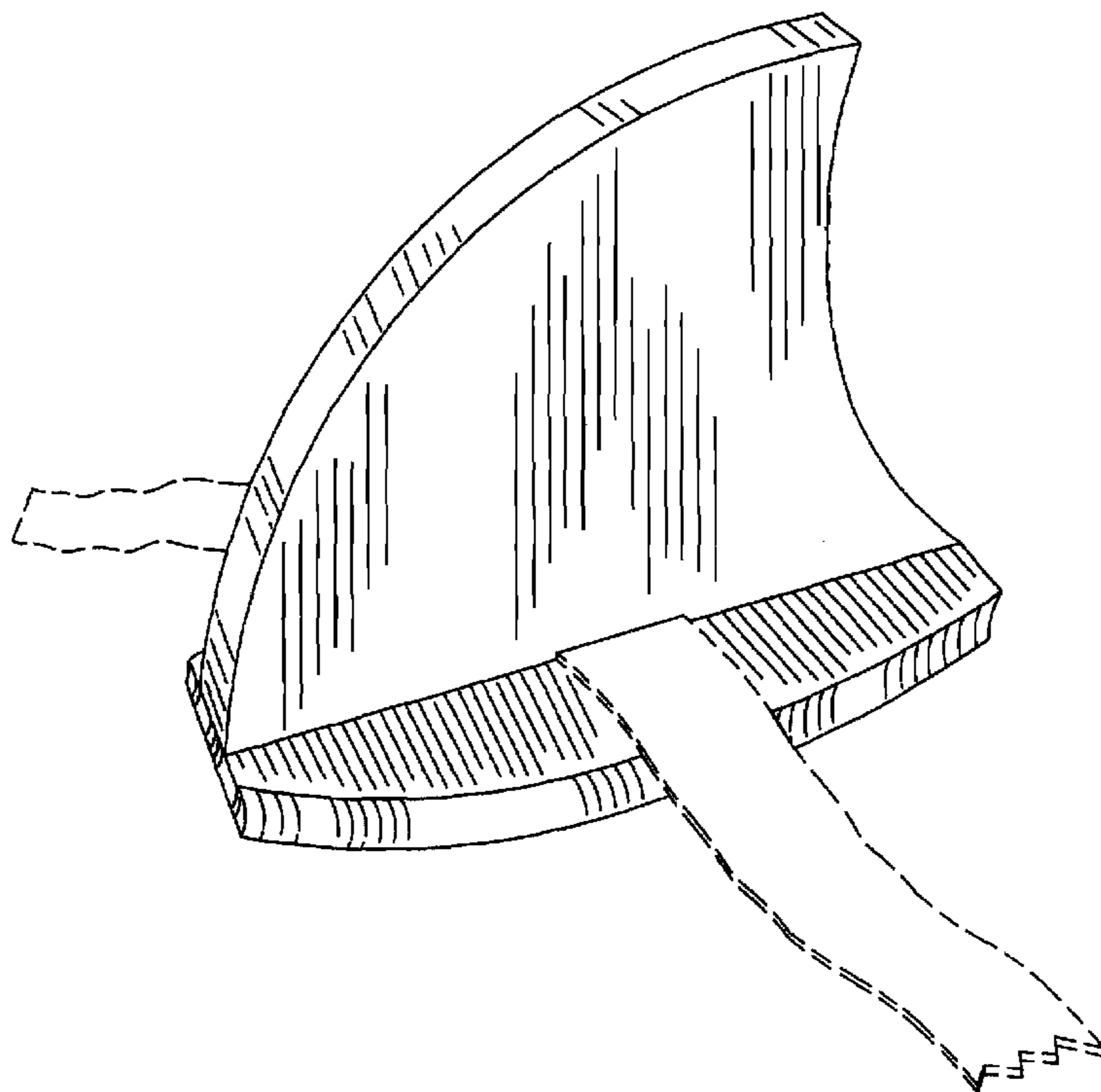
The bottom view of this design is not being claimed for any ornamental purpose, and so is not included herein.

(56) **References Cited**

U.S. PATENT DOCUMENTS

D220,137 S * 3/1971 Kwiatkowski D21/778
D244,958 S * 7/1977 Bleser D21/808
5,273,472 A * 12/1993 Skedleski et al. 441/79
D428,956 S * 8/2000 Harwell, IV D21/806
D437,021 S * 1/2001 Harwell et al. D21/806
D437,638 S * 2/2001 Harwell, IV D24/110.2

1 Claim, 5 Drawing Sheets



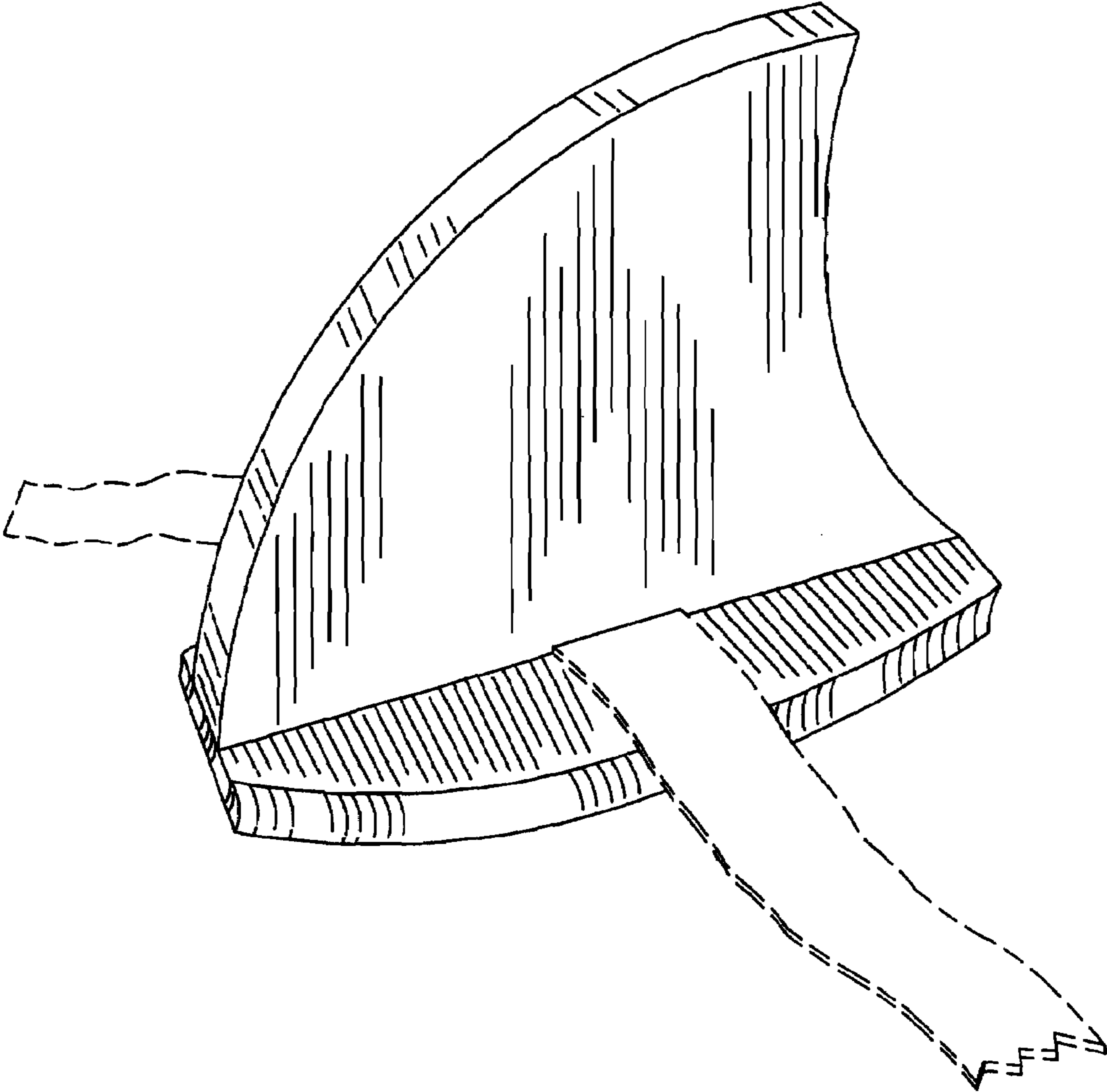


Fig. 1

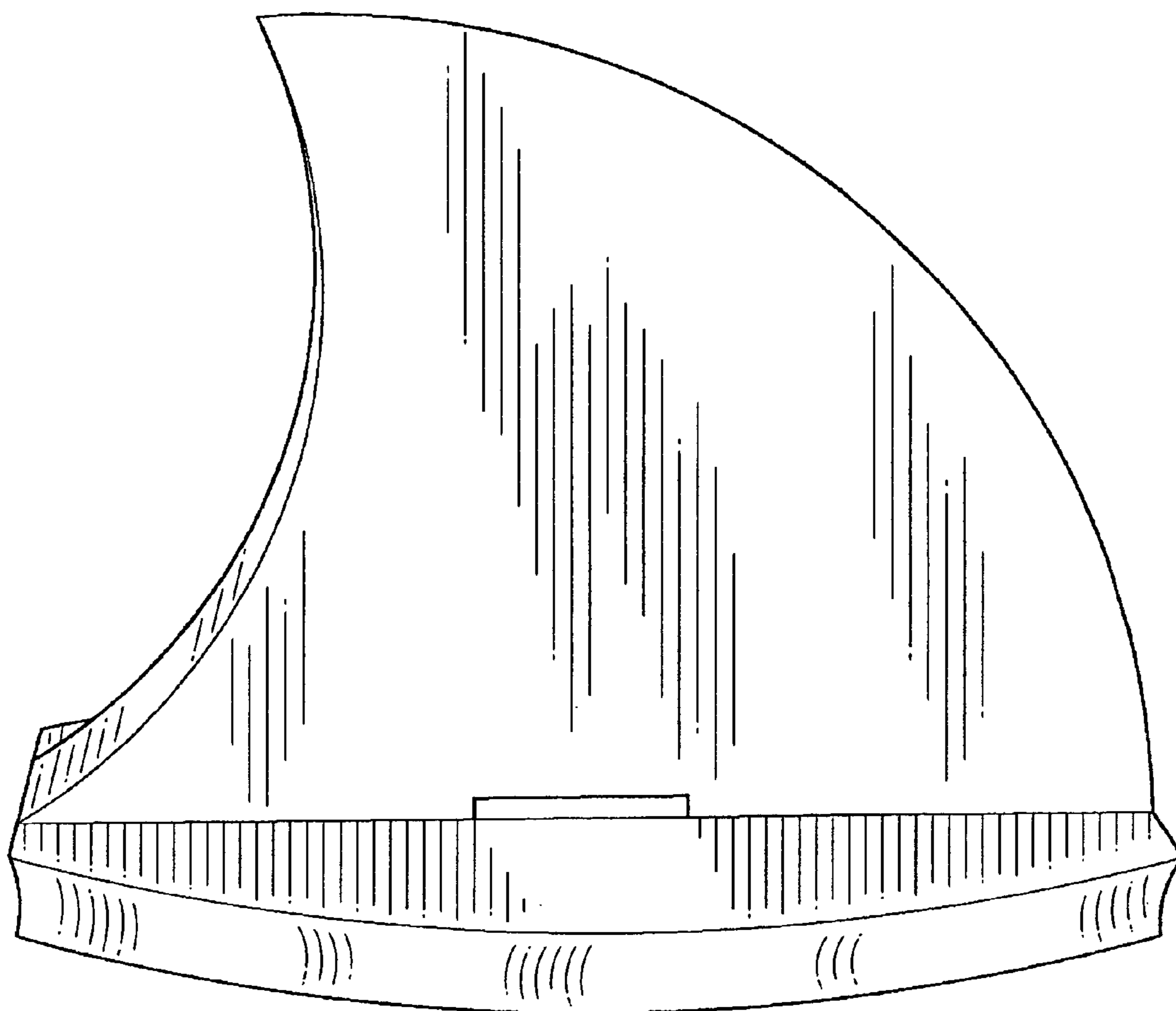


Fig. 2

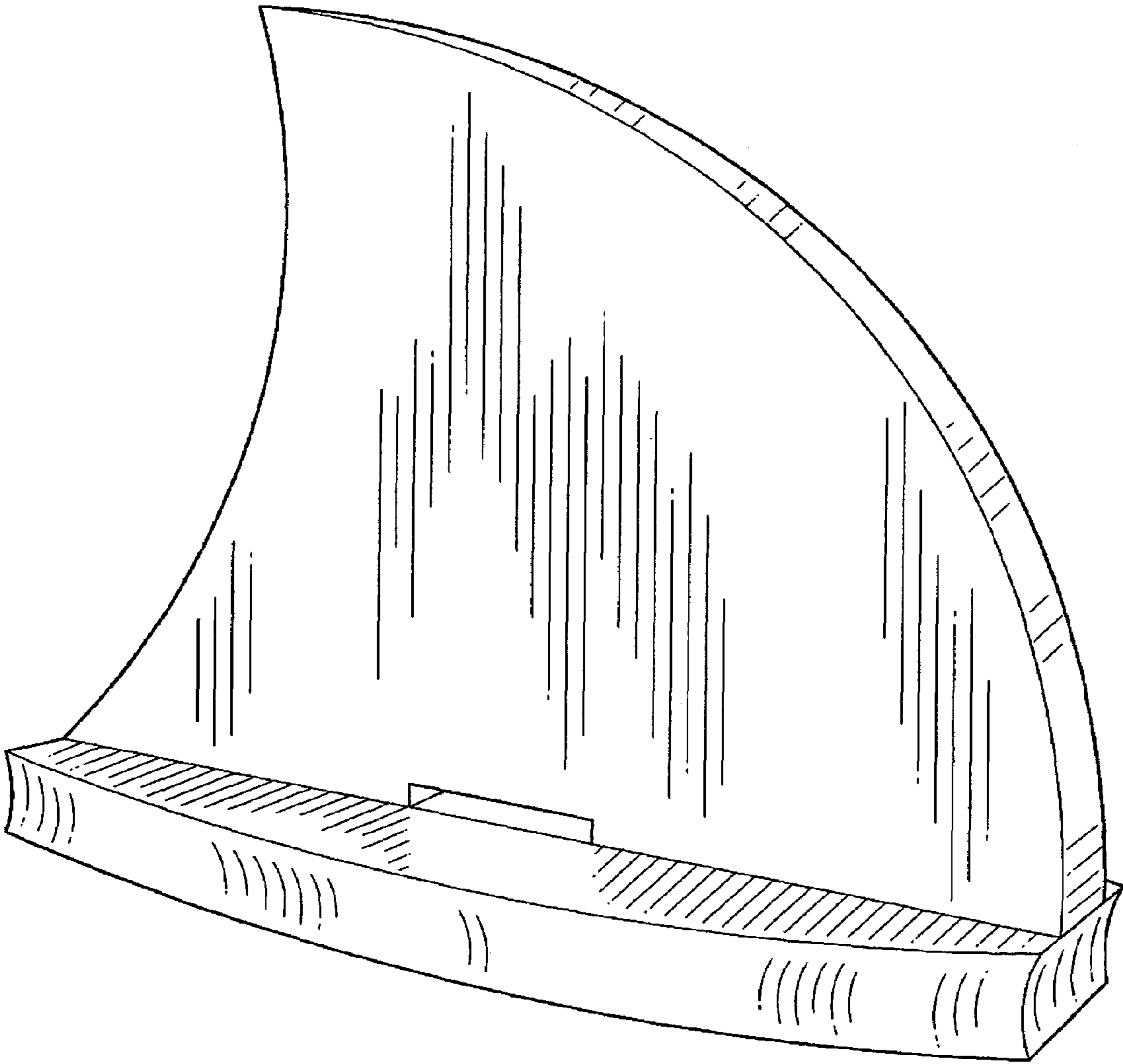


Fig. 3

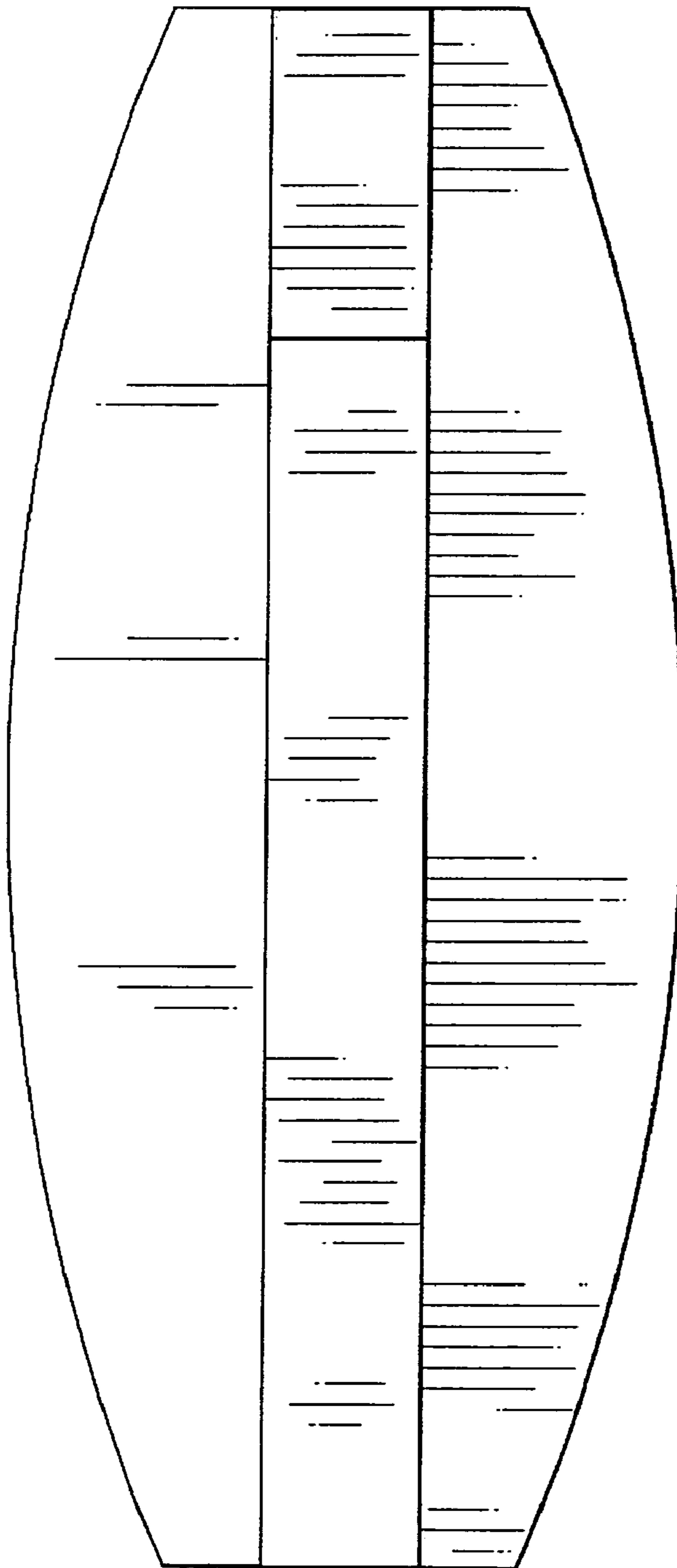


Fig. 4

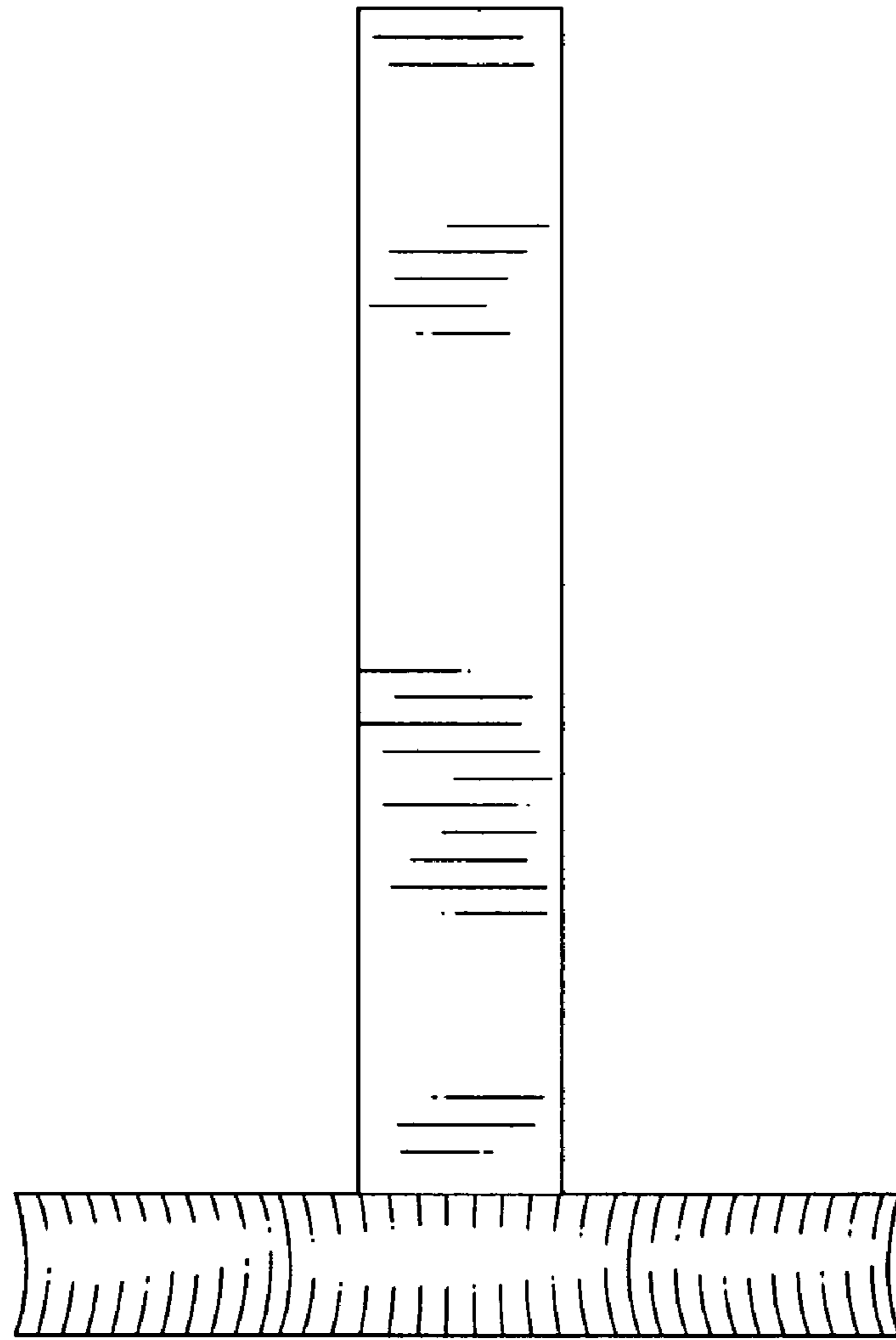


Fig. 5