



US00D576235S

(12) **United States Design Patent**
Zawitz

(10) **Patent No.:** **US D576,235 S**
(45) **Date of Patent:** **** Sep. 2, 2008**

(54) **FOOTBALL**

(75) Inventor: **Richard E. Zawitz**, San Francisco, CA
(US)

(73) Assignee: **Tangle Inc.**, San Francisco, CA (US)

(**) Term: **14 Years**

(21) Appl. No.: **29/303,713**

(22) Filed: **Feb. 15, 2008**

(51) **LOC (8) Cl.** **21-02**

(52) **U.S. Cl.** **D21/712; D21/707**

(58) **Field of Classification Search** D21/707-714,
D21/484, 492, 493, 497, 502, 503; D30/160;
473/569-614; 119/707-711; 446/34, 69,
446/71, 85, 107, 116, 124, 220-226, 438,
446/486, 487

See application file for complete search history.

(56) **References Cited**

U.S. PATENT DOCUMENTS

2,078,382	A *	4/1937	Hanshaw	473/595
D219,284	S *	11/1970	Hunt	D21/707
3,884,462	A *	5/1975	Rebajes	472/57
D264,365	S *	5/1982	Arino	D21/713
4,650,424	A *	3/1987	Mitchell	434/211
5,224,959	A *	7/1993	Kasper	482/114
D355,230	S *	2/1995	Brown	D21/712
D407,869	S *	4/1999	Wang	D30/160
D469,484	S *	1/2003	Dawson	D21/662

D501,520	S *	2/2005	Fraze	D21/707
D513,096	S *	12/2005	Stiles	D30/160
D562,419	S *	2/2008	Crane et al.	D21/712

FOREIGN PATENT DOCUMENTS

GB 2259257 A * 3/1993

* cited by examiner

Primary Examiner—Catherine Tuttle

(74) *Attorney, Agent, or Firm*—Townsend and Townsend and Crew LLP

(57) **CLAIM**

The ornamental design for a football, as shown and described.

DESCRIPTION

FIG. 1 is a top perspective view of a football showing my new design;

FIG. 2 is a bottom perspective view thereof;

FIG. 3 is a front elevational view thereof;

FIG. 4 is a rear elevational view thereof;

FIG. 5 is a right end elevational view thereof;

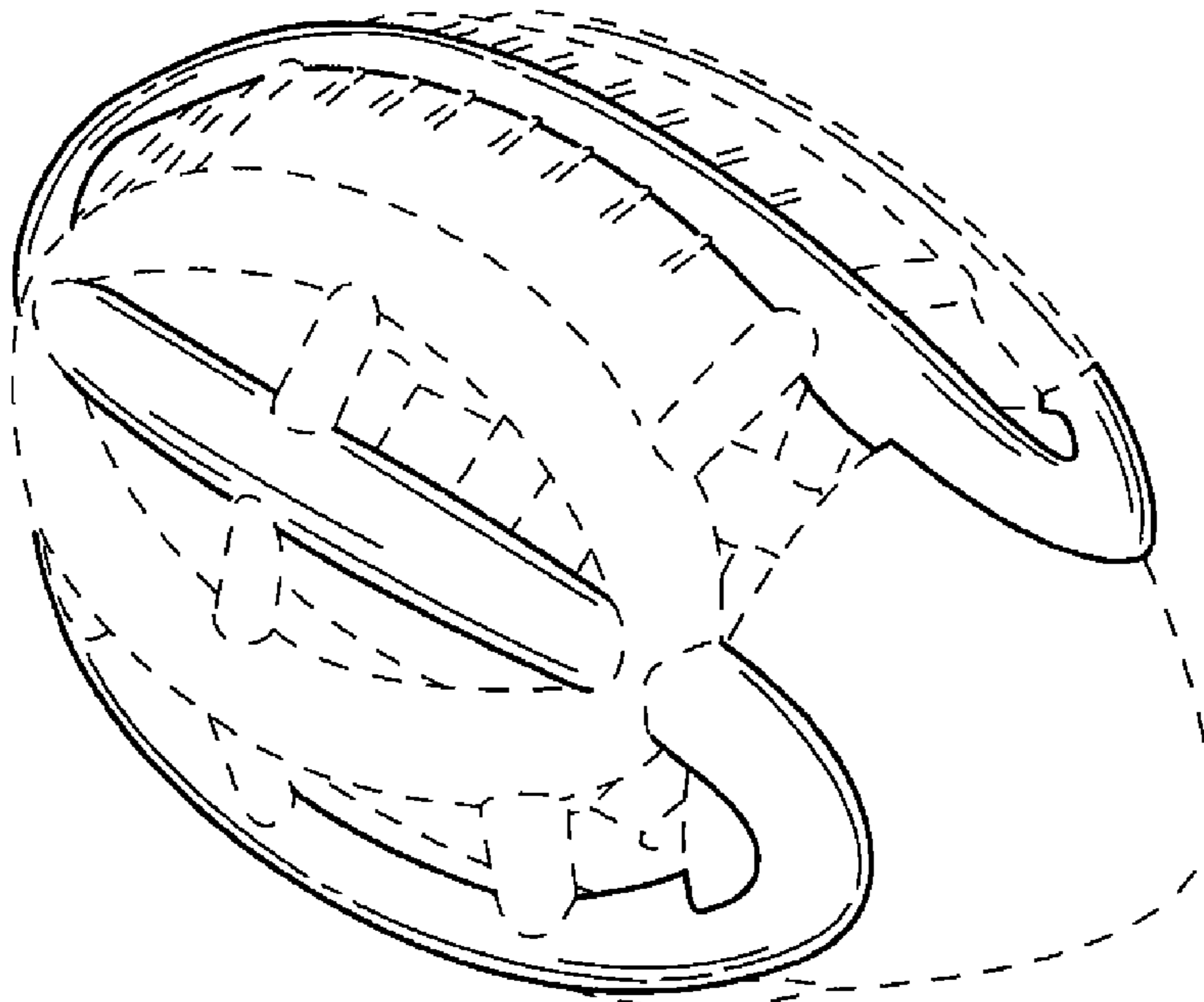
FIG. 6 is a left end elevational view thereof;

FIG. 7 is a top plan view thereof; and,

FIG. 8 is a bottom plan view thereof.

The broken lines are included for the purpose of illustrating portions of the football, namely the end caps, skeletal struts and lacing that form no part of the claimed design.

1 Claim, 4 Drawing Sheets



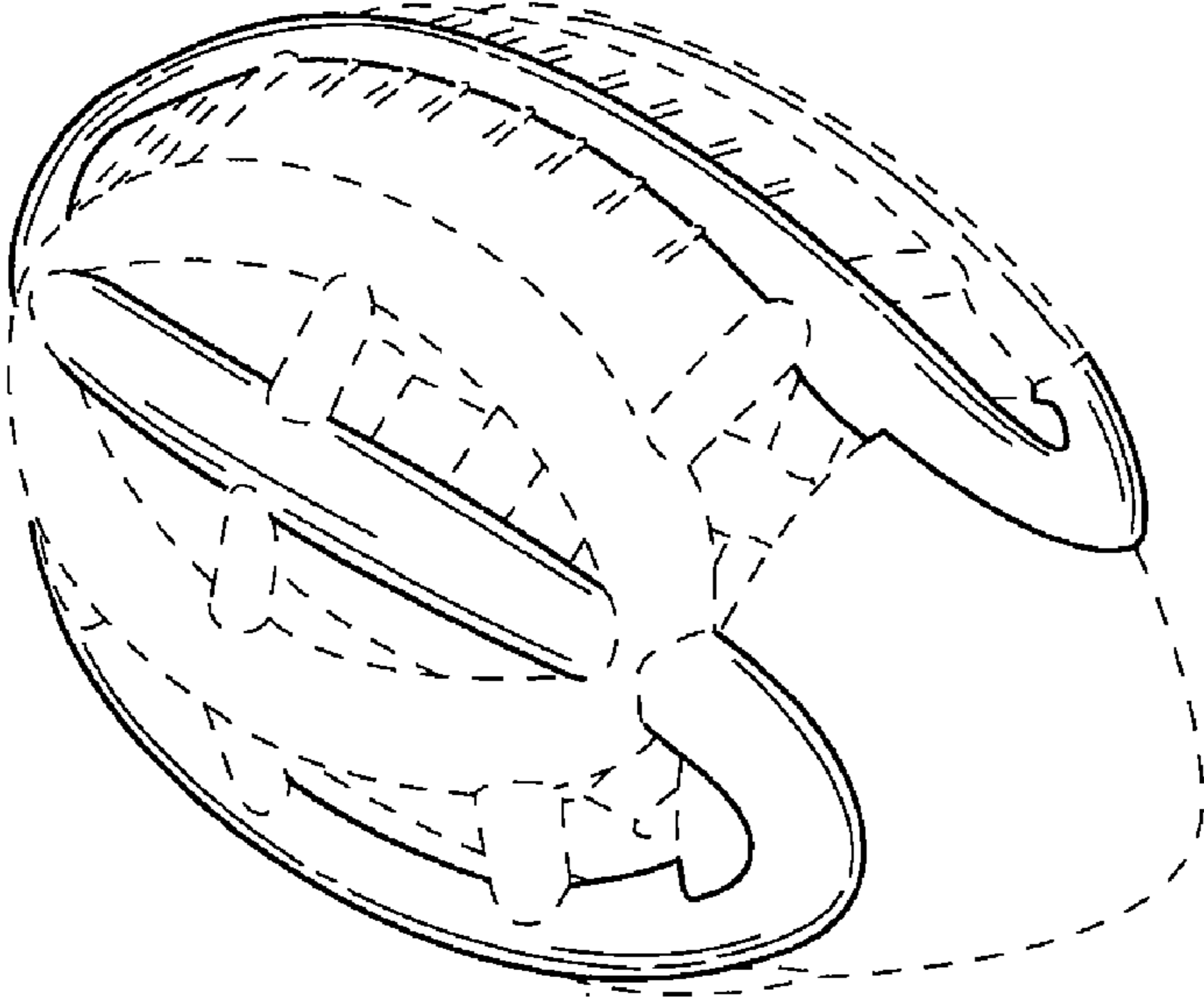


FIG. 1

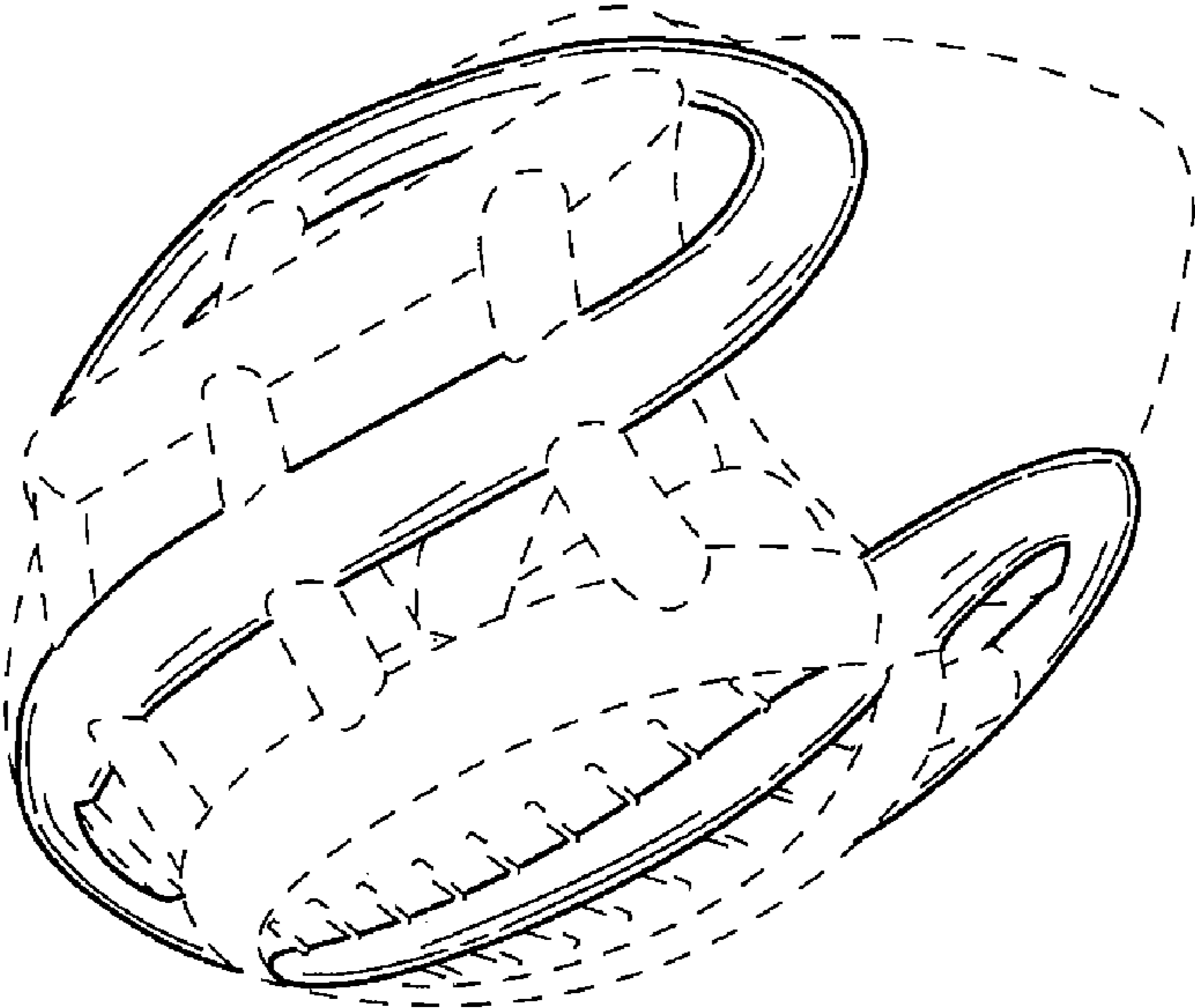


FIG. 2

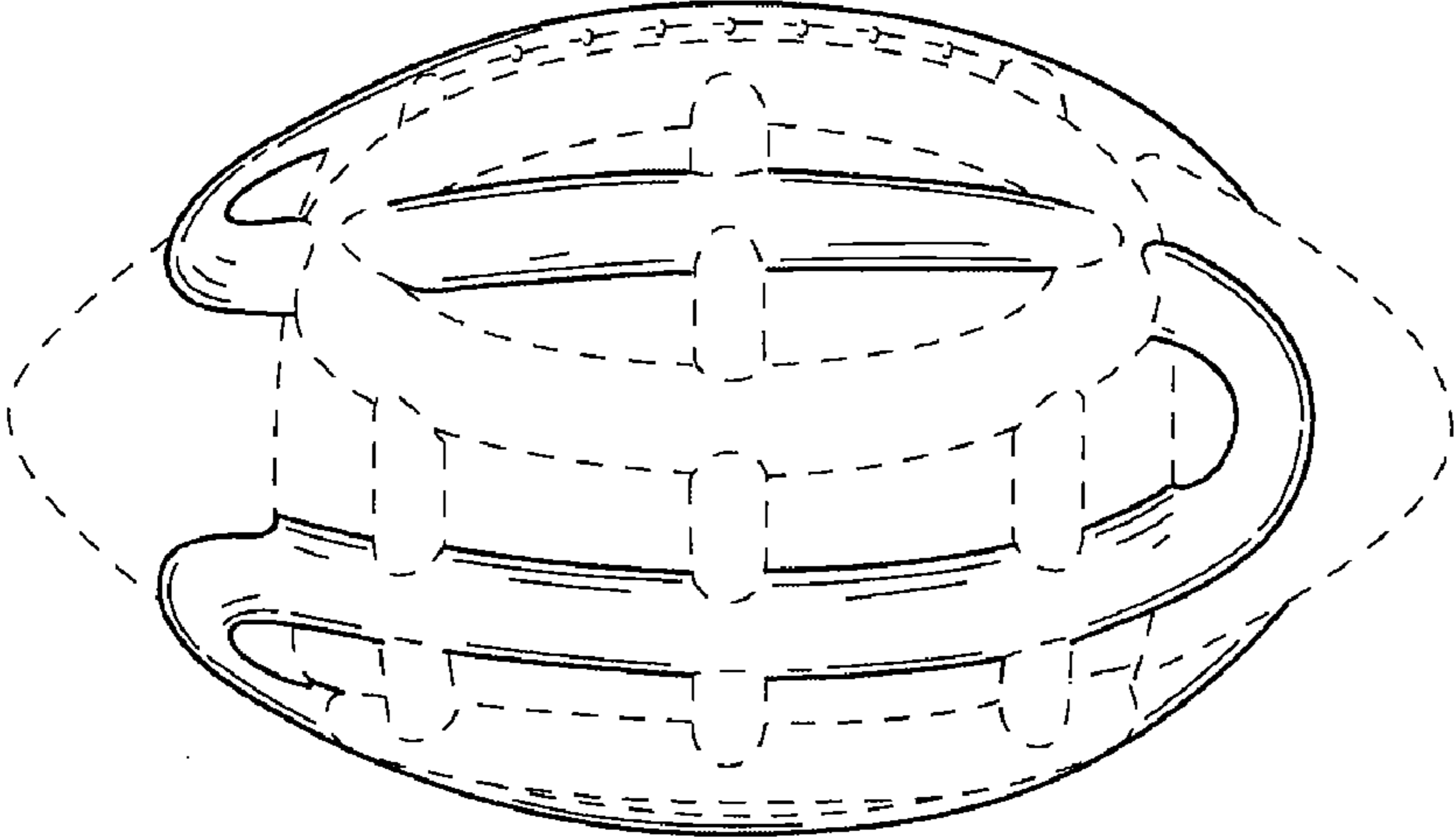


FIG.3

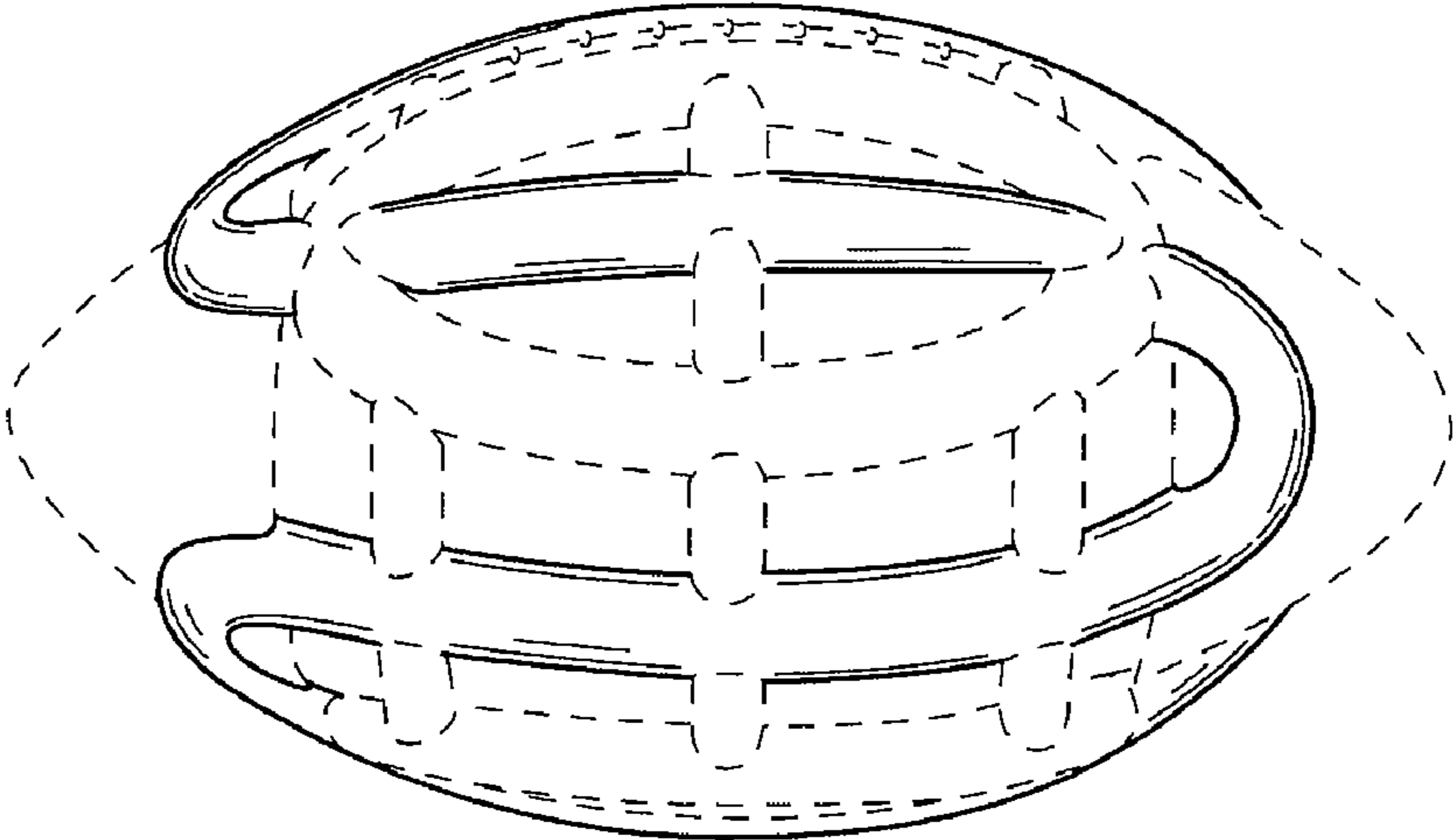


FIG.4

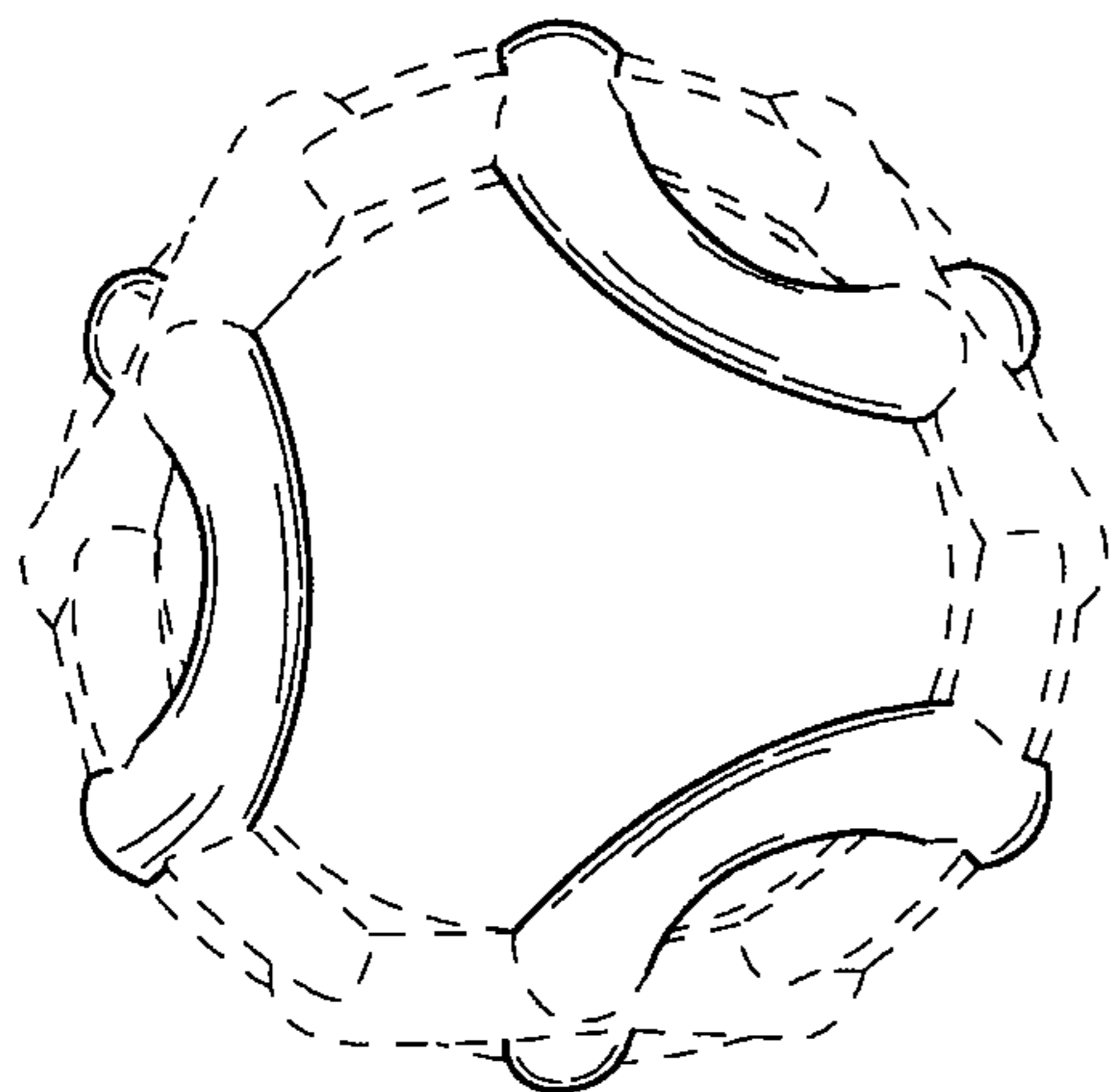


FIG.5

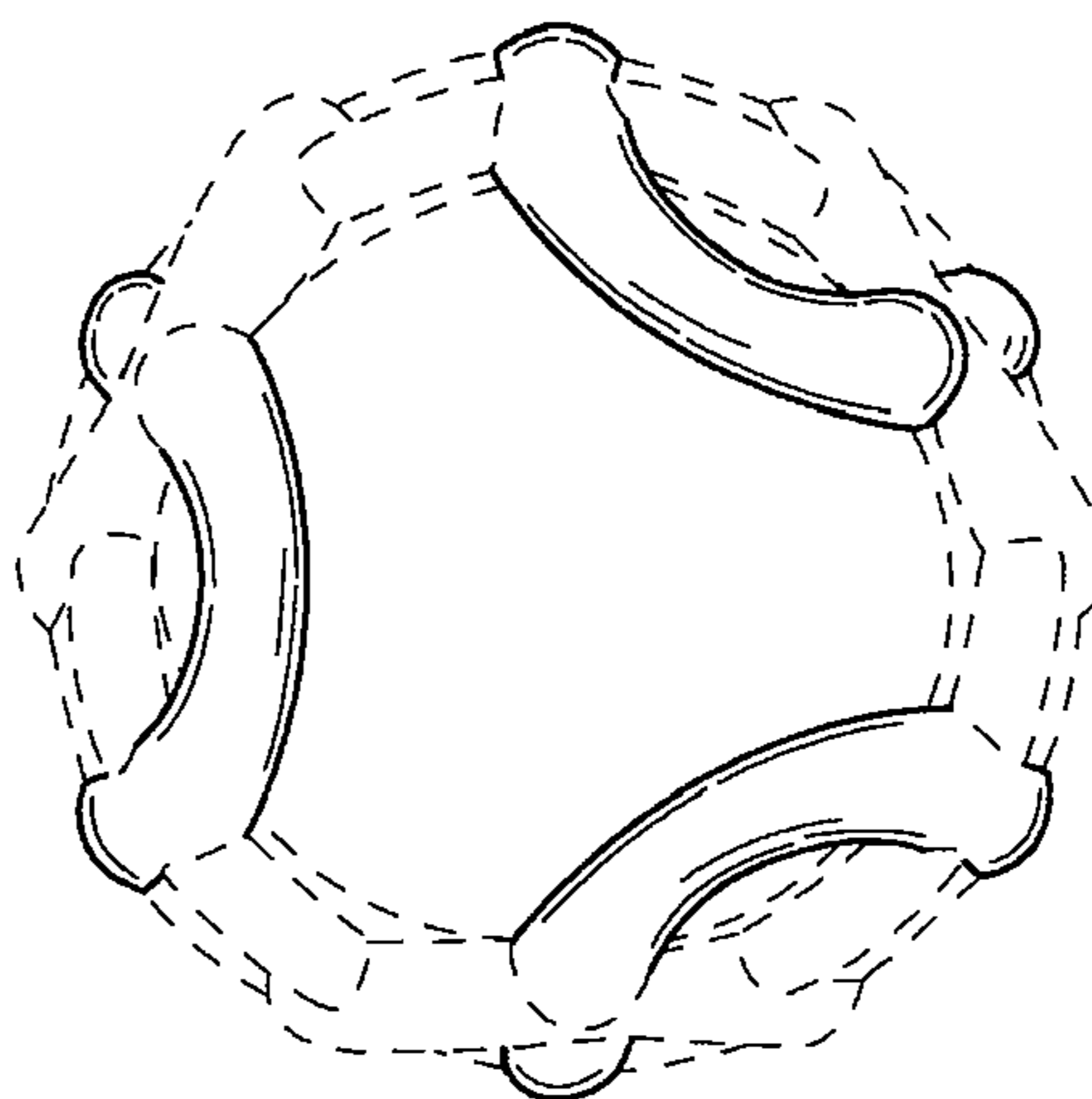


FIG.6

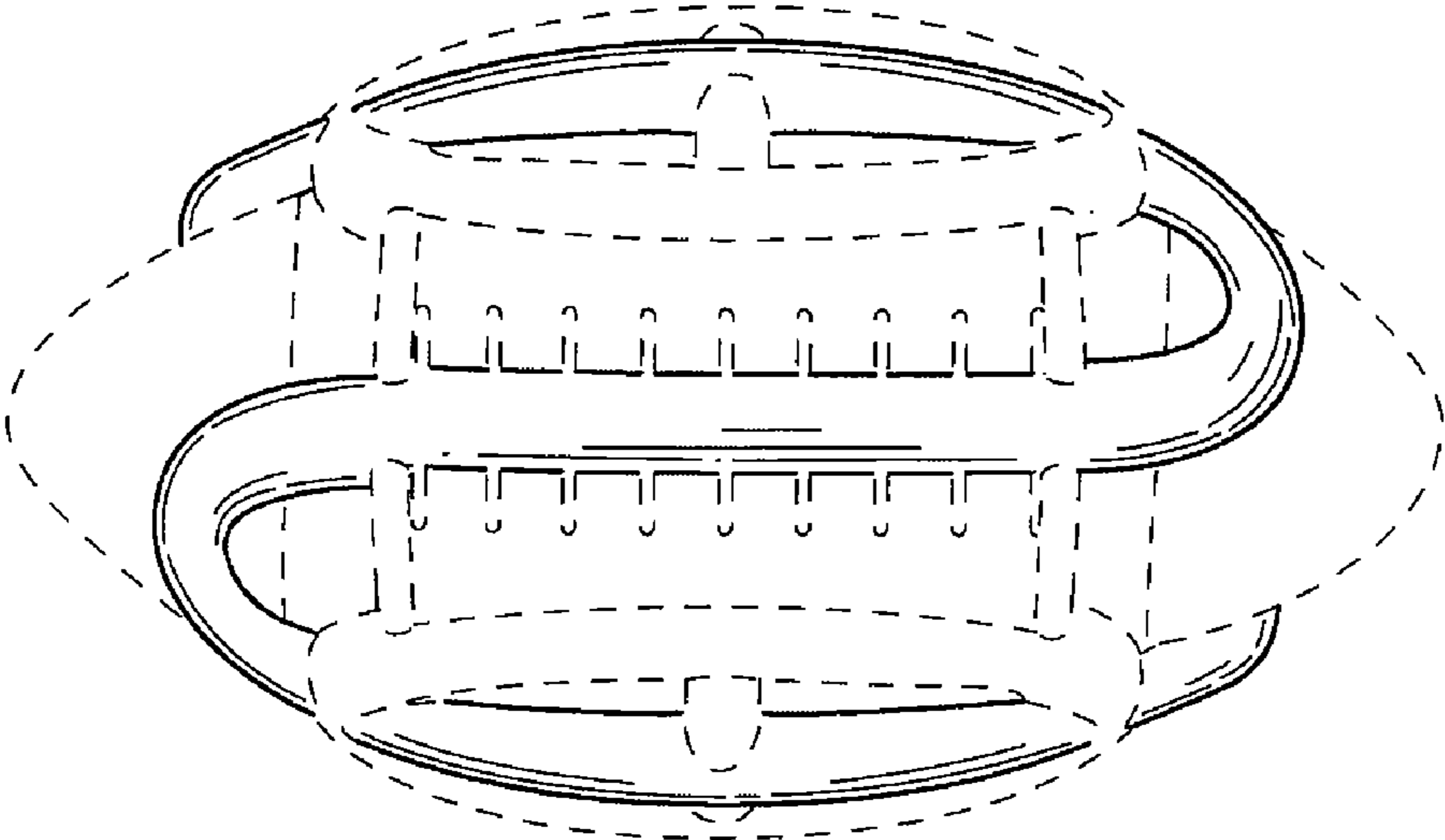


FIG. 7

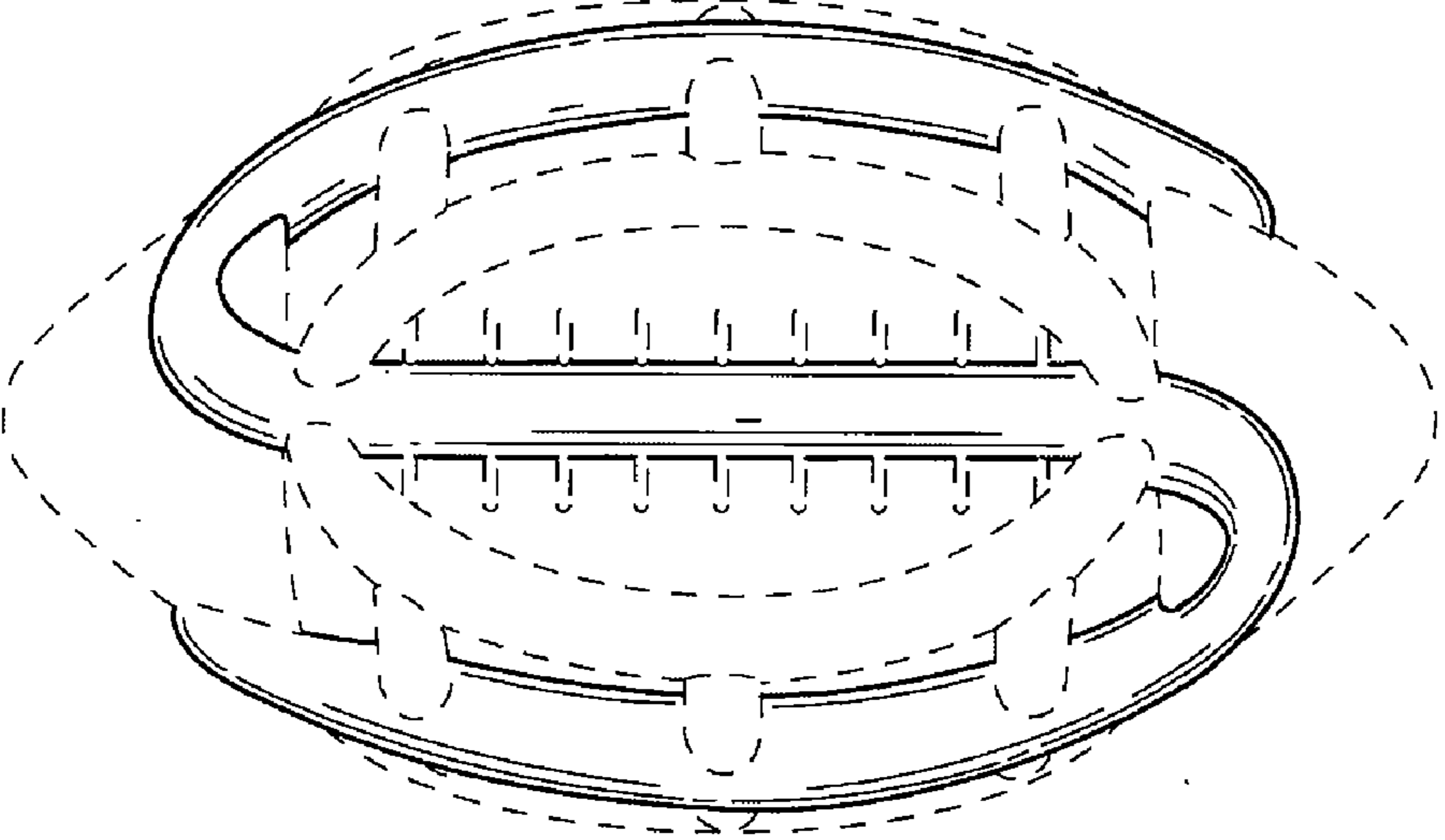


FIG. 8