

US00D576233S

(12) **United States Design Patent**
Rasmussen et al.

(10) **Patent No.:** **US D576,233 S**
(45) **Date of Patent:** **** Sep. 2, 2008**

(54) **BASEBALL STYLE FUNCTIONAL TRAINING HANDLE FOR EXERCISE MACHINES**

D460,796 S * 7/2002 Pullaro D21/727
D476,049 S * 6/2003 Sultenta D21/757

* cited by examiner

(75) Inventors: **Robert A. Rasmussen**, Bellevue, WA (US); **A. Buell Ish, III**, Redmond, WA (US)

Primary Examiner—T. Chase Nelson
Assistant Examiner—Roselynn Cody
(74) *Attorney, Agent, or Firm*—Constellation Law Group, PLLC; Dale C. Barr, Esq.

(73) Assignee: **Vectra Fitness, Inc.**, Kent, WA (US)

(**) Term: **14 Years**

(57) **CLAIM**

(21) Appl. No.: **29/281,783**

The ornamental design for a baseball style functional training handle for exercise machines, as shown and described.

(22) Filed: **Jun. 29, 2007**

DESCRIPTION

(51) **LOC (8) Cl.** **21-02**

FIG. 1 is a perspective view of a baseball style functional training handle for exercise machines showing my new design in a representative operating environment.

(52) **U.S. Cl.** **D21/694; D21/753**

FIG. 2 is a front isometric view showing my new design in isolation;

(58) **Field of Classification Search** D21/662, D21/673, 675–676, 694, 719, 725, 277, 729, D21/753, 756–757, 780, 791, 799.1; 473/219, 473/226, 229, 457, 497; 482/49, 92–94, 482/100, 110, 129, 139

FIG. 3 is a front elevational view thereof;

See application file for complete search history.

FIG. 4 is a top plan view thereof;

(56) **References Cited**

FIG. 5 is a left side elevational view thereof;

U.S. PATENT DOCUMENTS

FIG. 6 is a back elevational view thereof;

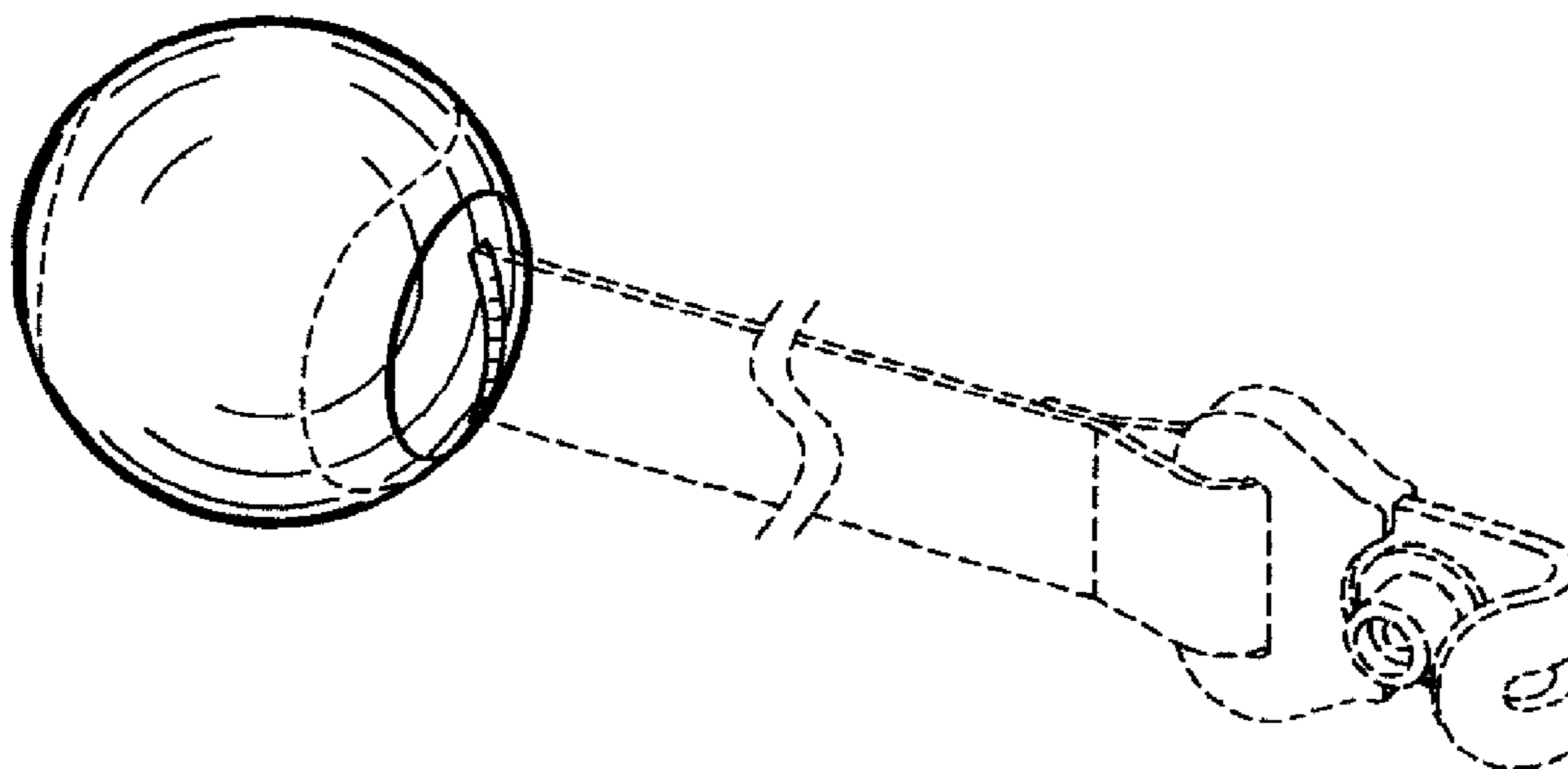
4,749,189	A	*	6/1988	Frank	482/129
D421,782	S	*	3/2000	Ryu	D21/757
D430,249	S	*	8/2000	Burger	D21/757
D431,273	S	*	9/2000	Burger	D21/757
D432,610	S	*	10/2000	Barila	D21/756
D449,867	S	*	10/2001	Ryu	D21/757
D458,329	S	*	6/2002	Clark et al.	D21/757

FIG. 7 is a bottom plan view thereof; and,

FIG. 8 is a right side elevation view thereof.

The broken lines are directed to environment and are for illustrative purposes only. The broken lines form no part of the claimed design.

1 Claim, 4 Drawing Sheets



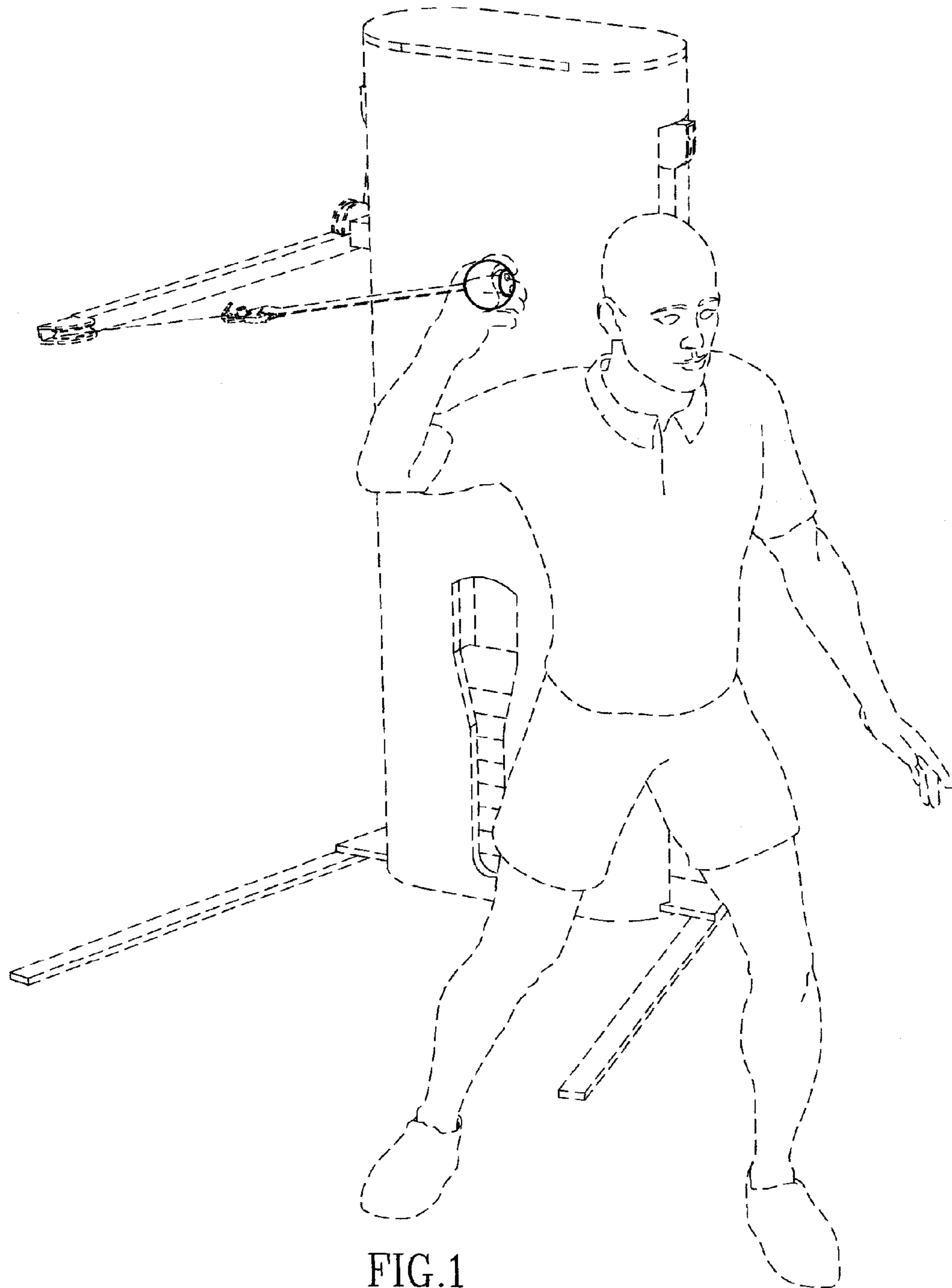


FIG. 1

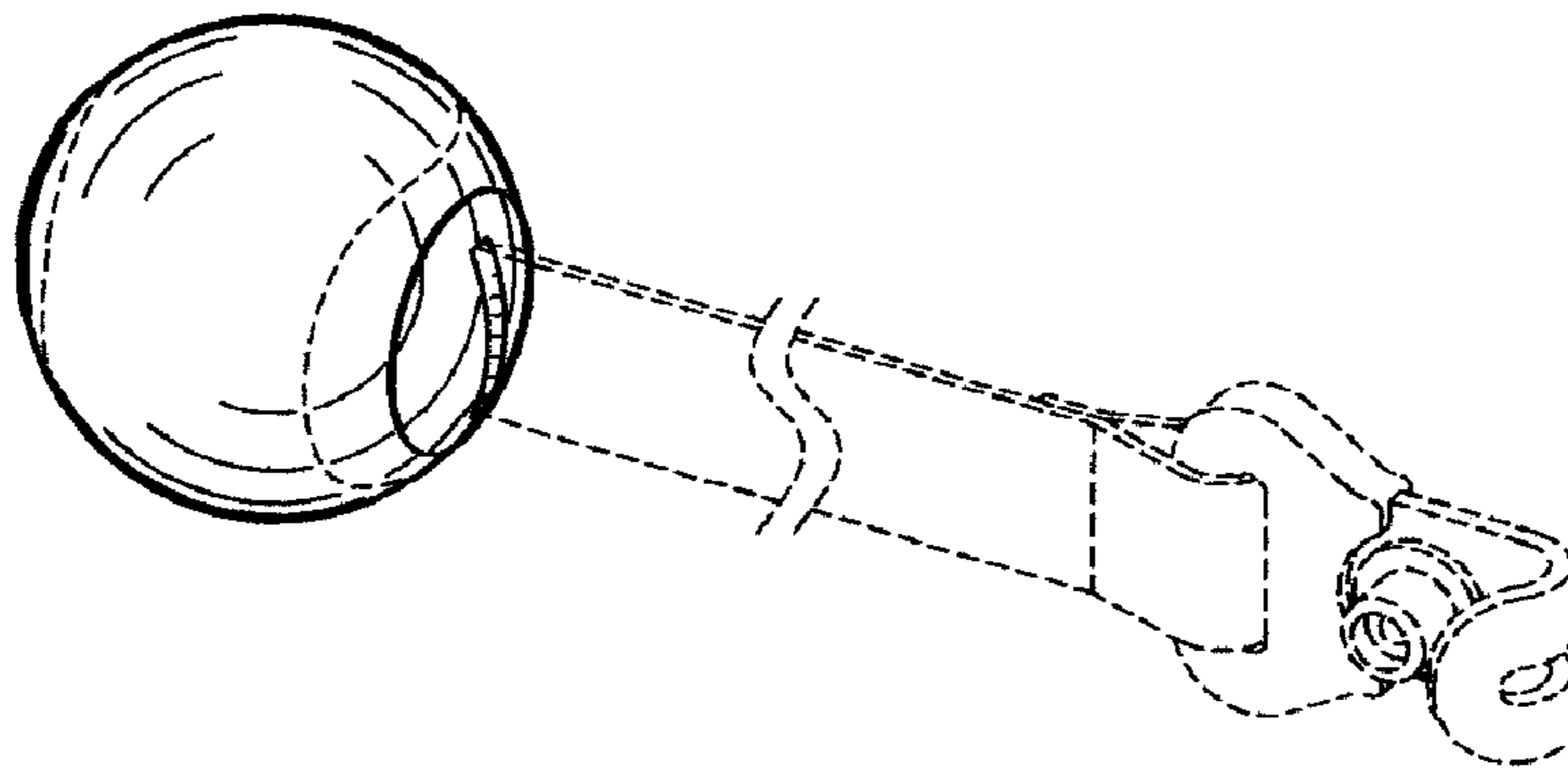


FIG. 2

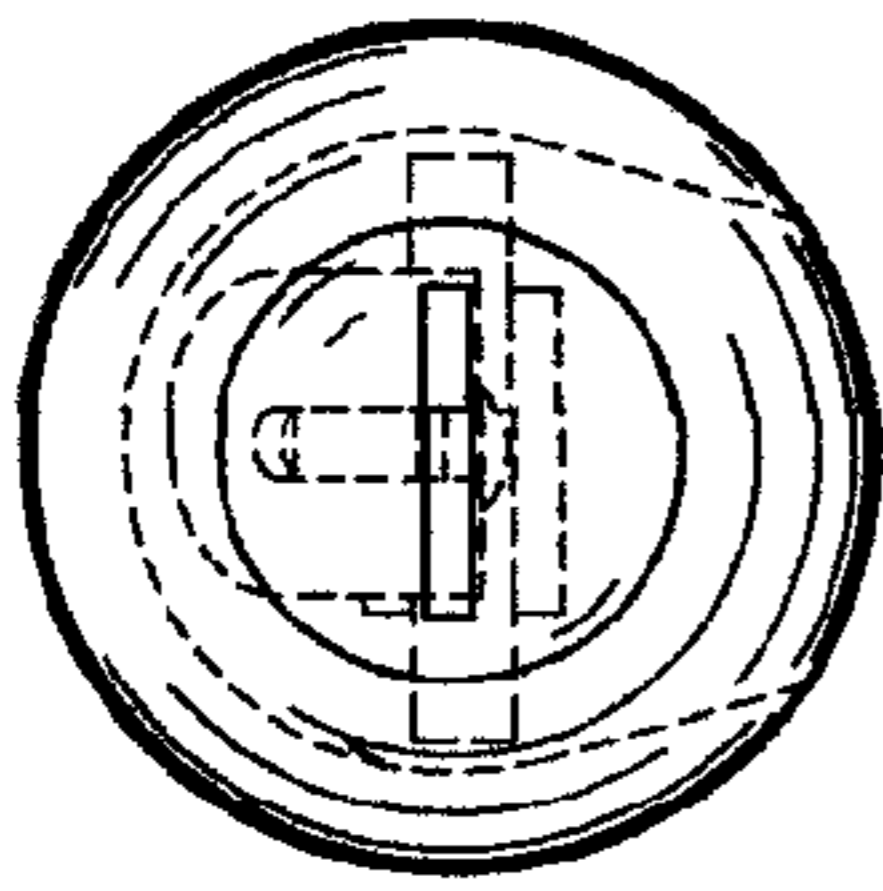


FIG. 5

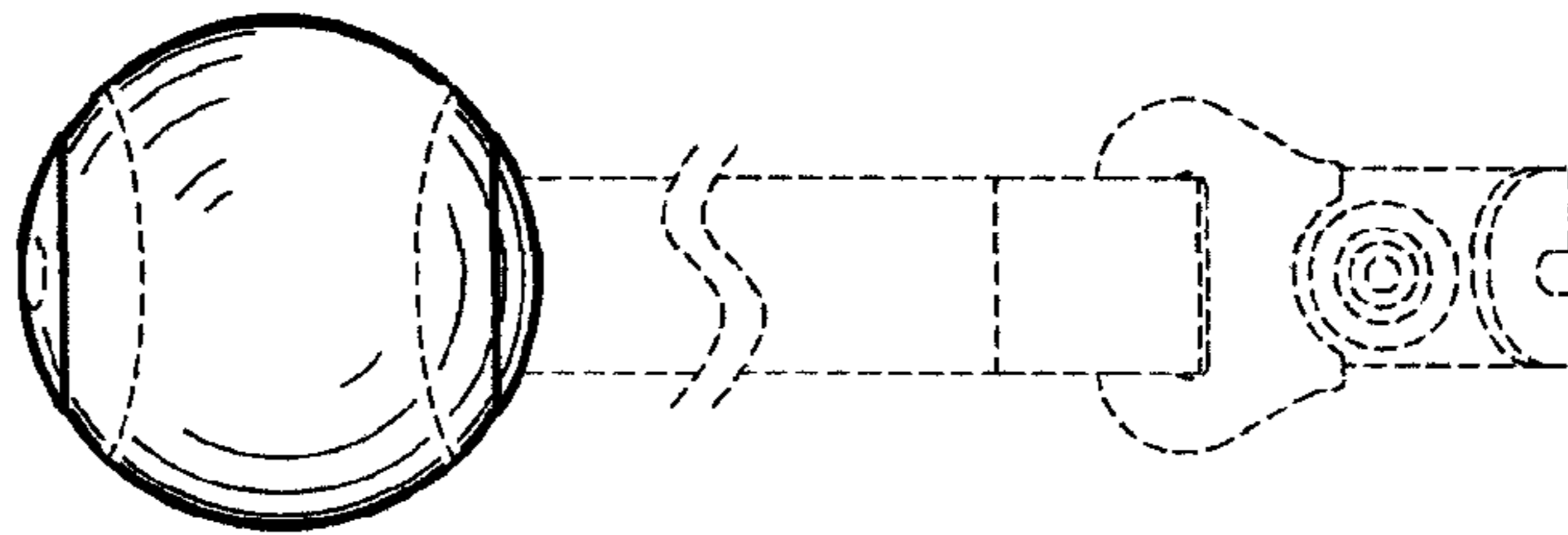


FIG. 3

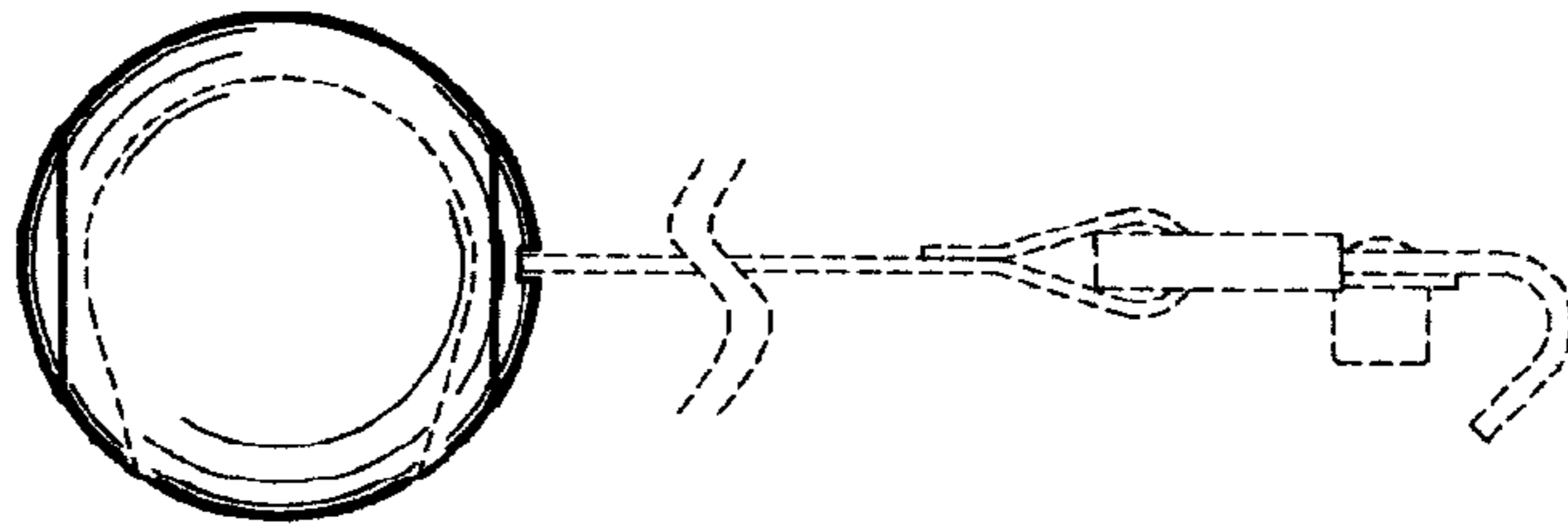


FIG. 4

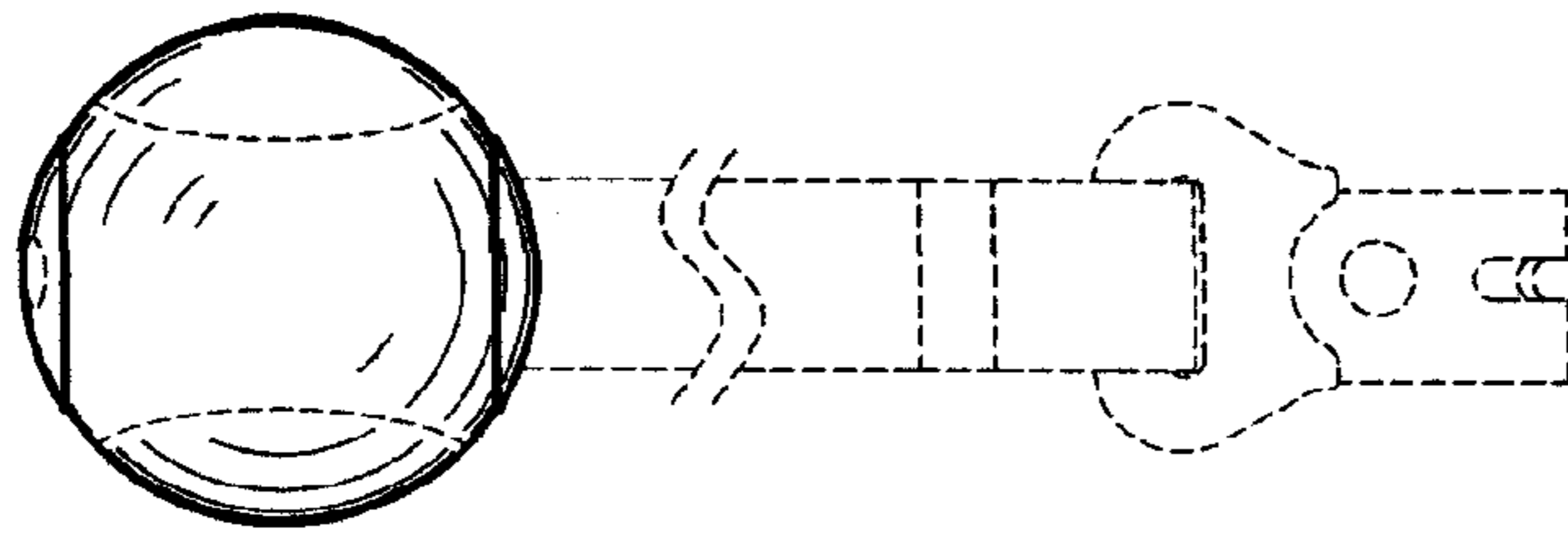


FIG. 6

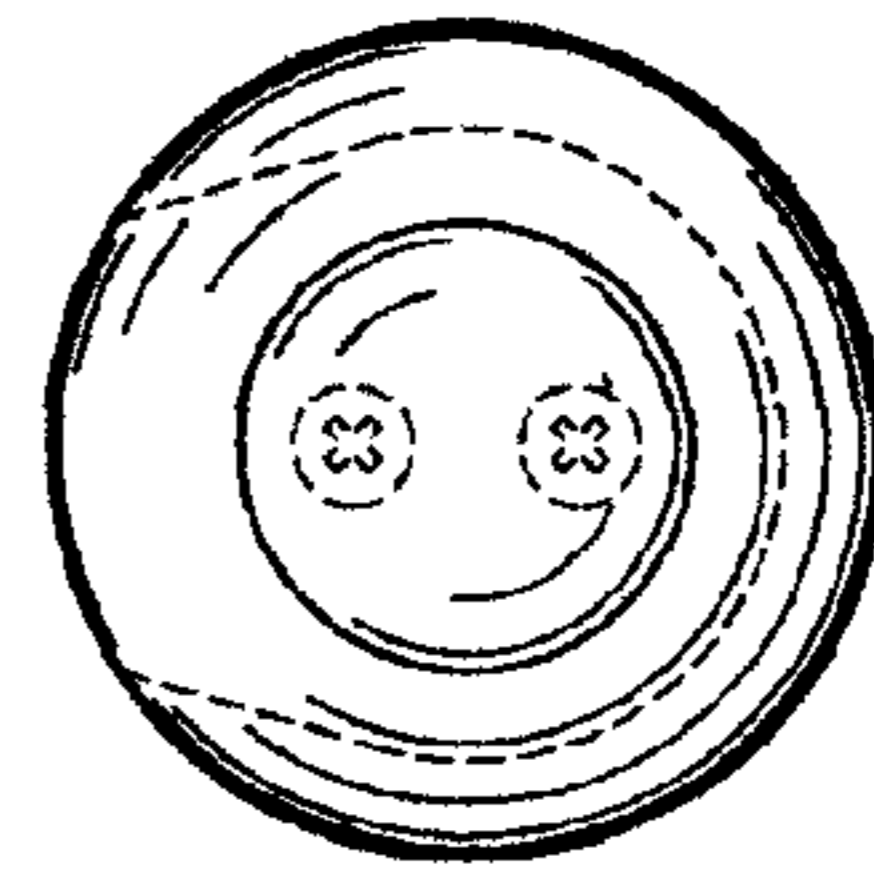


FIG. 8

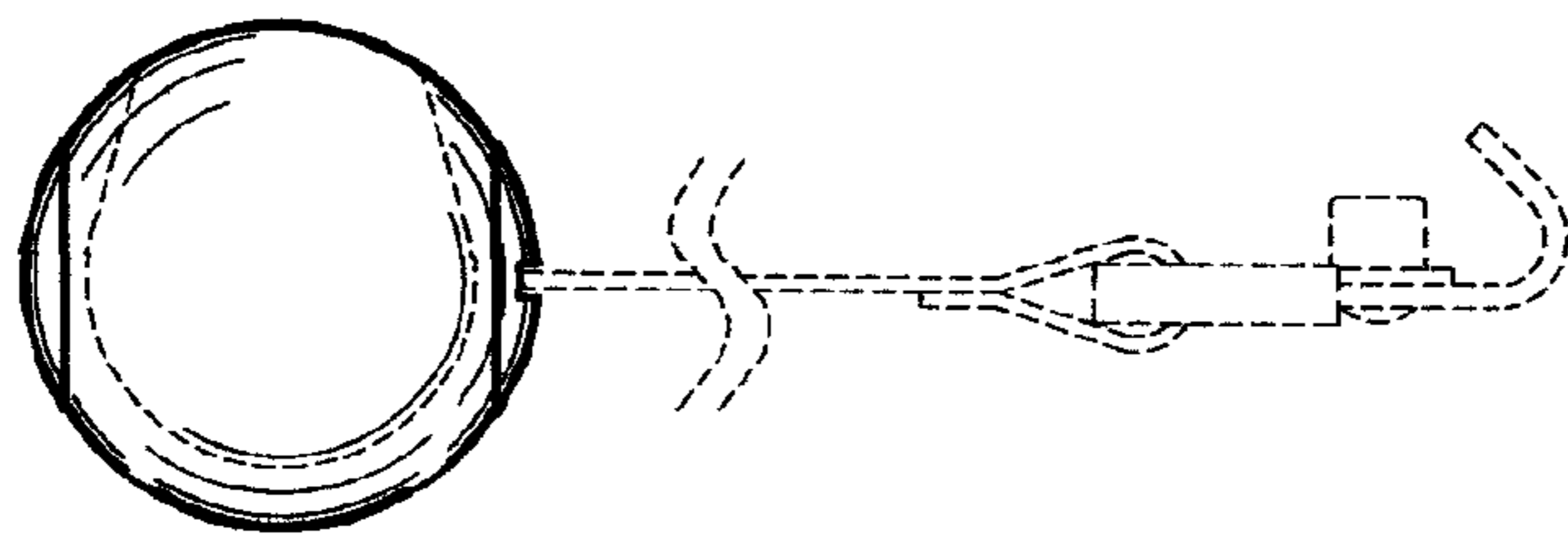


FIG. 7