



US00D576231S

(12) **United States Design Patent**
Rasmussen et al.

(10) **Patent No.:** **US D576,231 S**
(45) **Date of Patent:** **** Sep. 2, 2008**

(54) **BASEBALL BAT STYLE FUNCTIONAL TRAINING HANDLE FOR EXERCISE MACHINES**

(75) Inventors: **Robert A. Rasmussen**, Bellevue, WA (US); **A. Buell Ish, III**, Redmond, WA (US)

(73) Assignee: **Vectra Fitness, Inc.**, Kent, WA (US)

(**) Term: **14 Years**

(21) Appl. No.: **29/281,780**

(22) Filed: **Jun. 29, 2007**

(51) **LOC (8) Cl.** **21-02**

(52) **U.S. Cl.** **D21/694; D21/753**

(58) **Field of Classification Search** D21/662, D21/673, 675-676, 694, 719, 725, 277, 729, D21/753, 756-757, 780, 791, 799.1; 473/219, 473/226, 229, 457, 497; 482/49, 92-94, 482/100, 110, 129, 139

See application file for complete search history.

(56) **References Cited**

U.S. PATENT DOCUMENTS

3,414,260	A *	12/1968	Gust	482/109
3,618,942	A *	11/1971	Bates et al.	482/129
D259,501	S *	6/1981	Salisbury	D21/725
D274,171	S *	6/1984	Gabrielidis	D21/679
4,600,190	A *	7/1986	Berokoff	482/129
5,156,402	A *	10/1992	Hart	473/229
D339,621	S *	9/1993	Briden	D21/725
6,022,281	A *	2/2000	Nolan	473/457
D457,929	S *	5/2002	Ciesar et al.	D21/725
D458,655	S *	6/2002	Pullaro	D21/725
D466,573	S *	12/2002	Vito	D21/756
D466,574	S *	12/2002	Vito	D21/756
D480,122	S *	9/2003	Ciesar et al.	D21/780
D483,827	S *	12/2003	Ciesar	D21/780

6,682,447	B1 *	1/2004	Black	473/457
6,949,036	B2 *	9/2005	Ciesar et al.	473/457
7,198,581	B1 *	4/2007	Black	473/454
7,297,077	B1 *	11/2007	Battaglino	473/457
7,297,078	B2 *	11/2007	Libonati	473/457
2004/0229736	A1 *	11/2004	Dise et al.	482/139
2007/0135241	A1 *	6/2007	Stoffel et al.	473/457
2007/0173357	A1 *	7/2007	Mauer et al.	473/457
2007/0254751	A1 *	11/2007	Wilson	473/457

* cited by examiner

Primary Examiner—T. Chase Nelson

Assistant Examiner—Roselynn Cody

(74) *Attorney, Agent, or Firm*—Constellation Law Group, PLLC; Dale C. Barr, Esq.

(57) **CLAIM**

The ornamental design for a baseball bat style functional training handle for exercise machines, as shown and described.

DESCRIPTION

FIG. 1 is a perspective view of a baseball bat style functional training handle for exercise machines showing my new design in a representative operating environment.

FIG. 2 is a front isometric view showing my new design in isolation;

FIG. 3 is a front elevational view thereof;

FIG. 4 is a top plan view thereof;

FIG. 5 is a left side elevational view thereof;

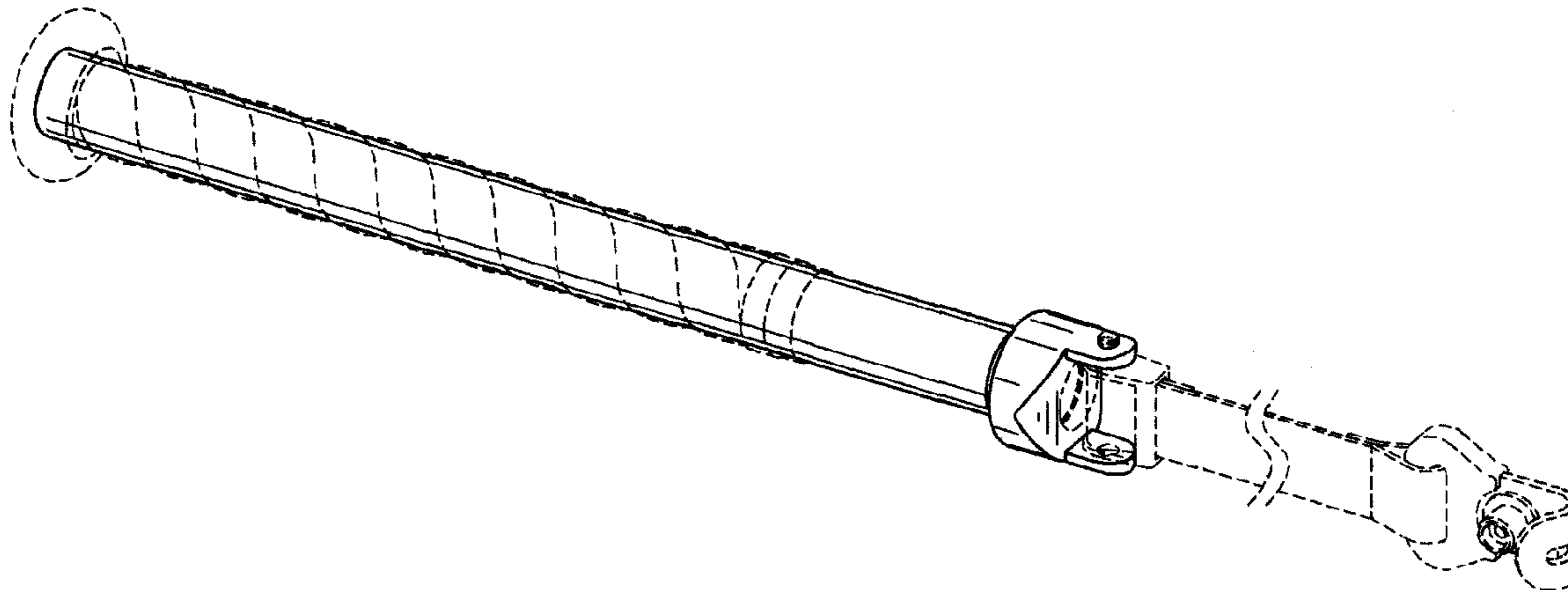
FIG. 6 is a back elevational view thereof;

FIG. 7 is a bottom plan view thereof; and,

FIG. 8 is a right side elevation view thereof.

The broken lines are directed to environment and are for illustrative purposes only. The broken lines form no part of the claimed design.

1 Claim, 4 Drawing Sheets



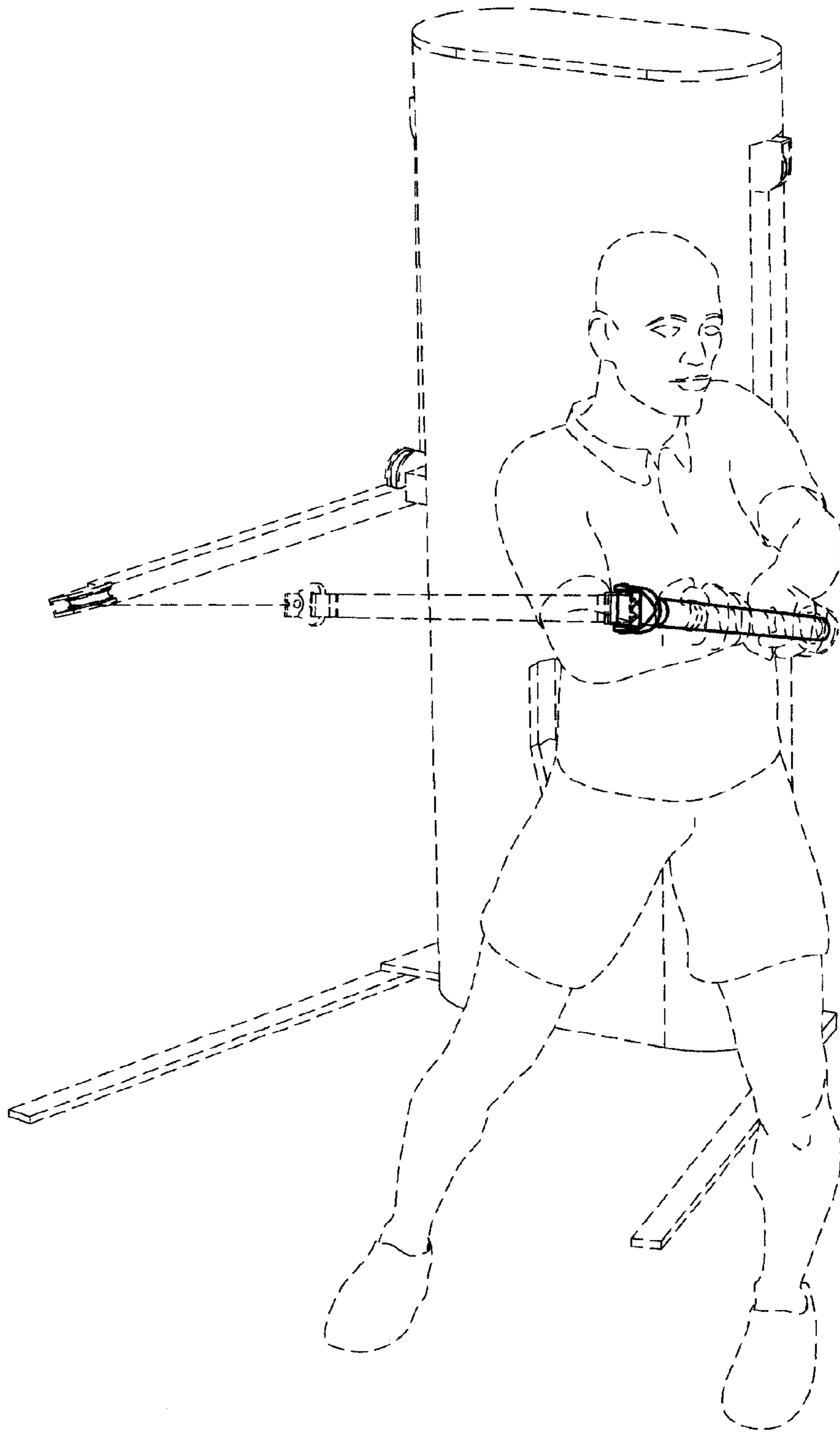


FIG.1

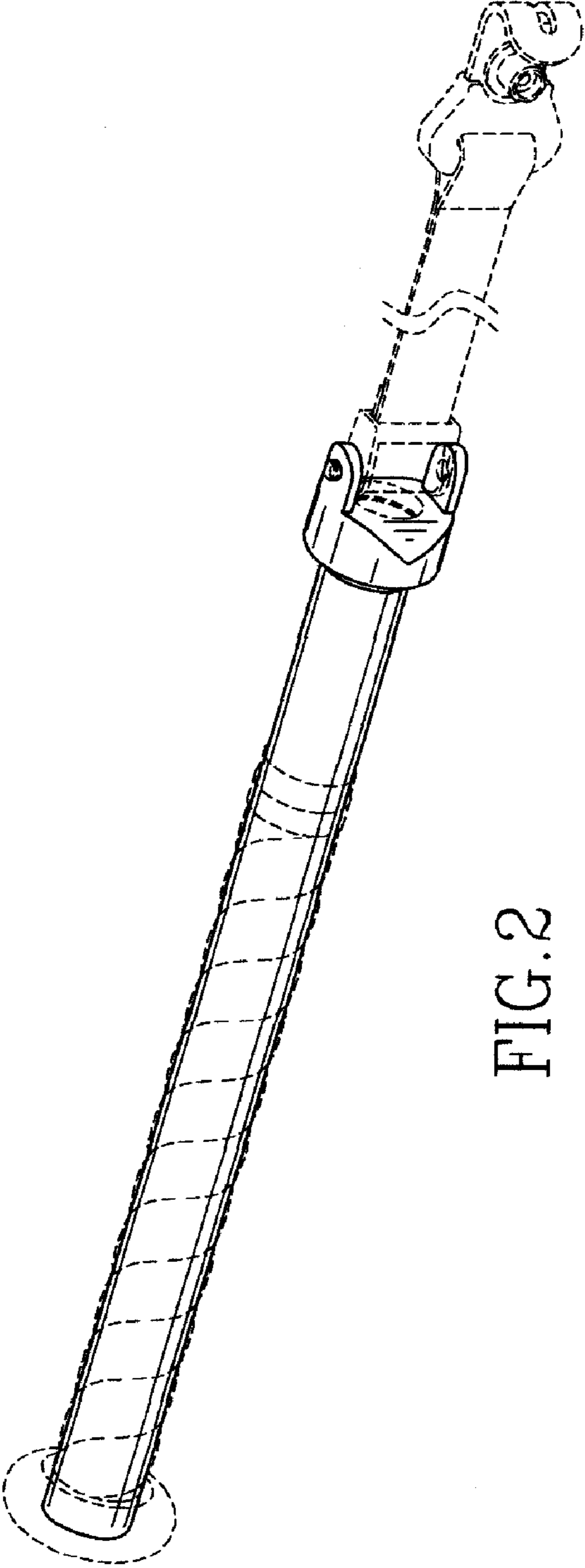


FIG. 2

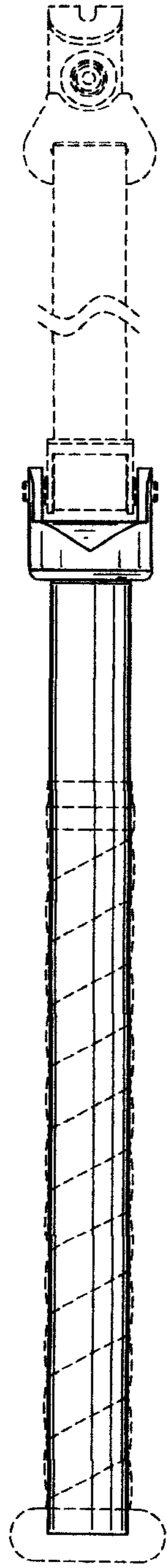


FIG. 3

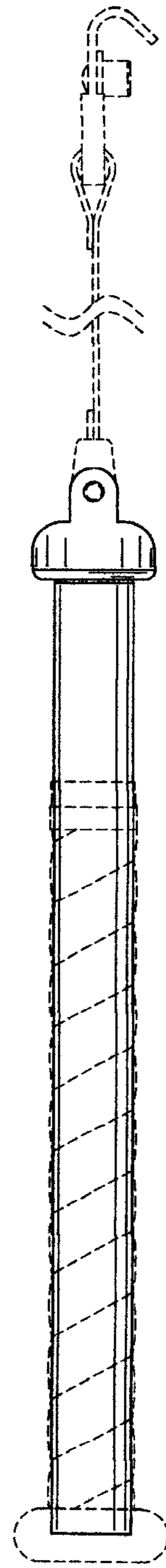


FIG. 4

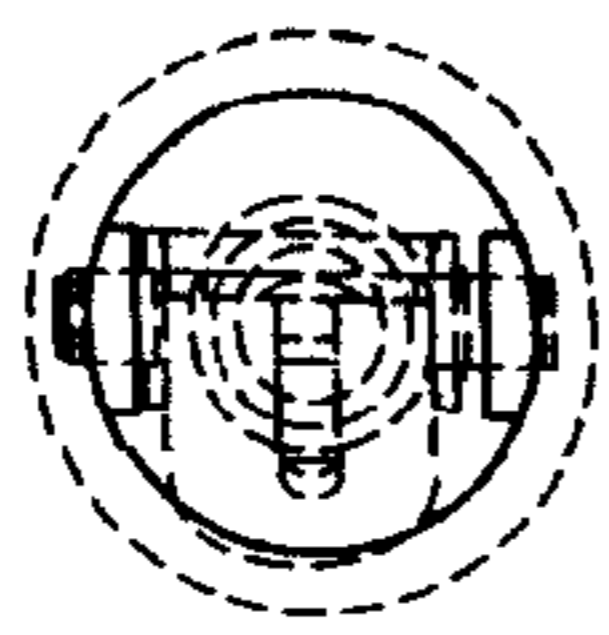


FIG. 5

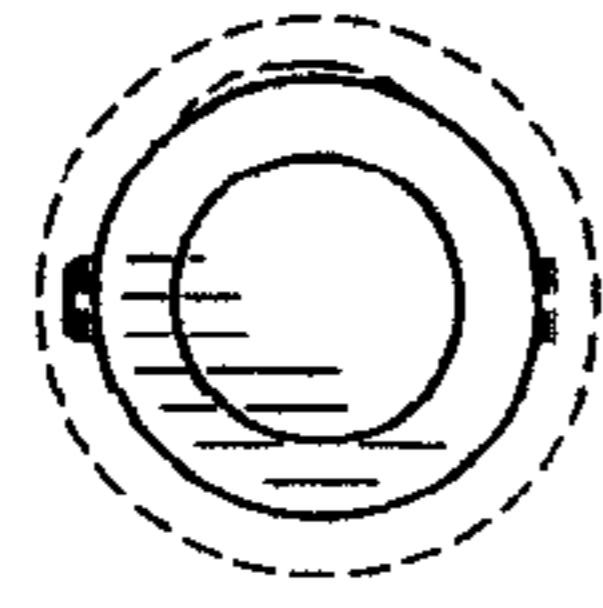


FIG. 8

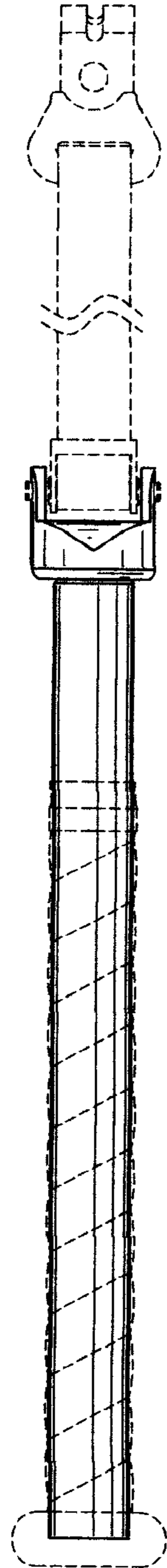


FIG. 6

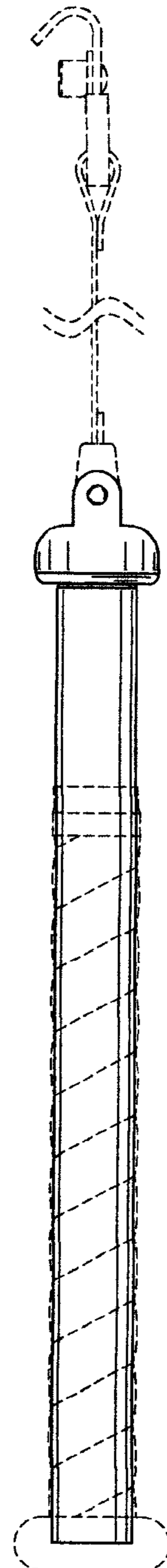


FIG. 7