



US00D576226S

(12) **United States Design Patent**
Auberger et al.

(10) **Patent No.:** **US D576,226 S**

(45) **Date of Patent:** **** Sep. 2, 2008**

(54) **DOLL**

(75) Inventors: **Benoît Auberger**, Mouilleron en Pareds (FR); **Christelle Boutin**, Bressuire (FR)

(73) Assignee: **WESCO Company S.A.**, Cerizay (FR)

(**) Term: **14 Years**

(21) Appl. No.: **29/288,780**

(22) Filed: **Jun. 19, 2007**

(30) **Foreign Application Priority Data**

Dec. 19, 2006 (EM) 000640768-0033

(51) **LOC (8) Cl.** **21-01**

(52) **U.S. Cl.** **D21/645**

(58) **Field of Classification Search** D21/621,
D21/623, 625, 630, 631, 645-649, 659; 446/136,
446/268, 305, 360-361, 376, 379, 382-384
See application file for complete search history.

(56) **References Cited**

U.S. PATENT DOCUMENTS

D240,641 S * 7/1976 Haupt D21/647
D316,438 S * 4/1991 Waine D21/648
D318,504 S * 7/1991 Ratcliff D21/647
D353,635 S * 12/1994 Leetzow D21/631

D415,220 S * 10/1999 Wong D21/643
D431,271 S * 9/2000 Hummel et al. D21/648
D451,563 S * 12/2001 Smith D21/630
D456,466 S * 4/2002 Richards D21/644
D457,206 S * 5/2002 Dalebroux D21/648
D460,504 S * 7/2002 Benson Rosales D21/647
D474,251 S * 5/2003 Reiher et al. D21/631
D474,515 S * 5/2003 Reiher et al. D21/631
D482,745 S * 11/2003 Donaldson D21/631
D493,852 S * 8/2004 Robinson et al. D21/645
D496,402 S * 9/2004 Knutt et al. D19/59
D531,084 S * 10/2006 McGowen et al. D11/160

* cited by examiner

Primary Examiner—Janice E. Seeger

Assistant Examiner—Zenita I. Bennett

(74) *Attorney, Agent, or Firm*—Horst M. Kasper

(57) **CLAIM**

The ornamental design for a doll, as shown and described.

DESCRIPTION

FIG. 1 is a perspective view of a doll;

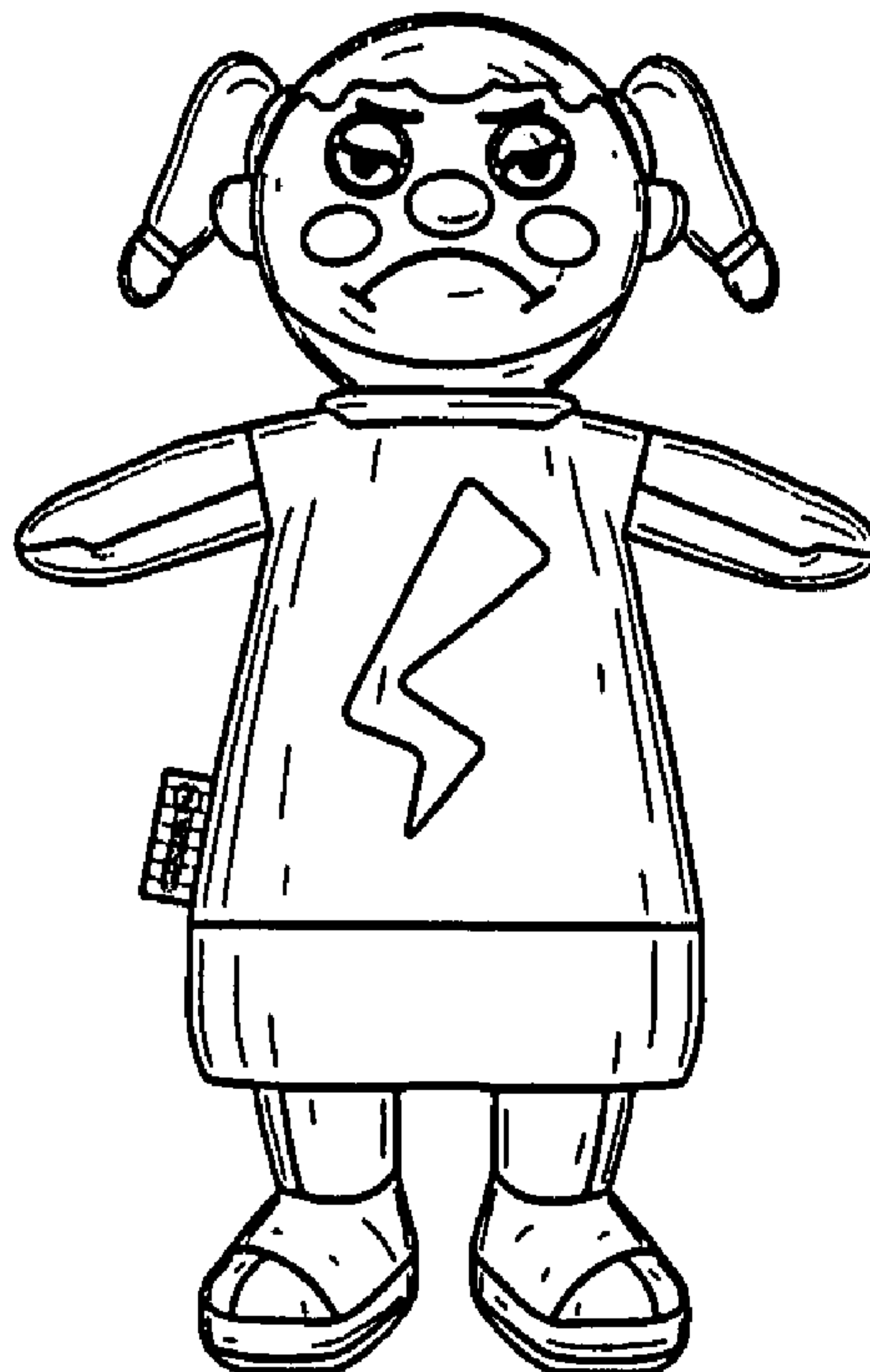
FIG. 2 is a right side elevational view thereof;

FIG. 3 is a left side elevational view thereof;

FIG. 4 is a front elevational view thereof; and,

FIG. 5 is a rear side elevational view thereof.

1 Claim, 1 Drawing Sheet



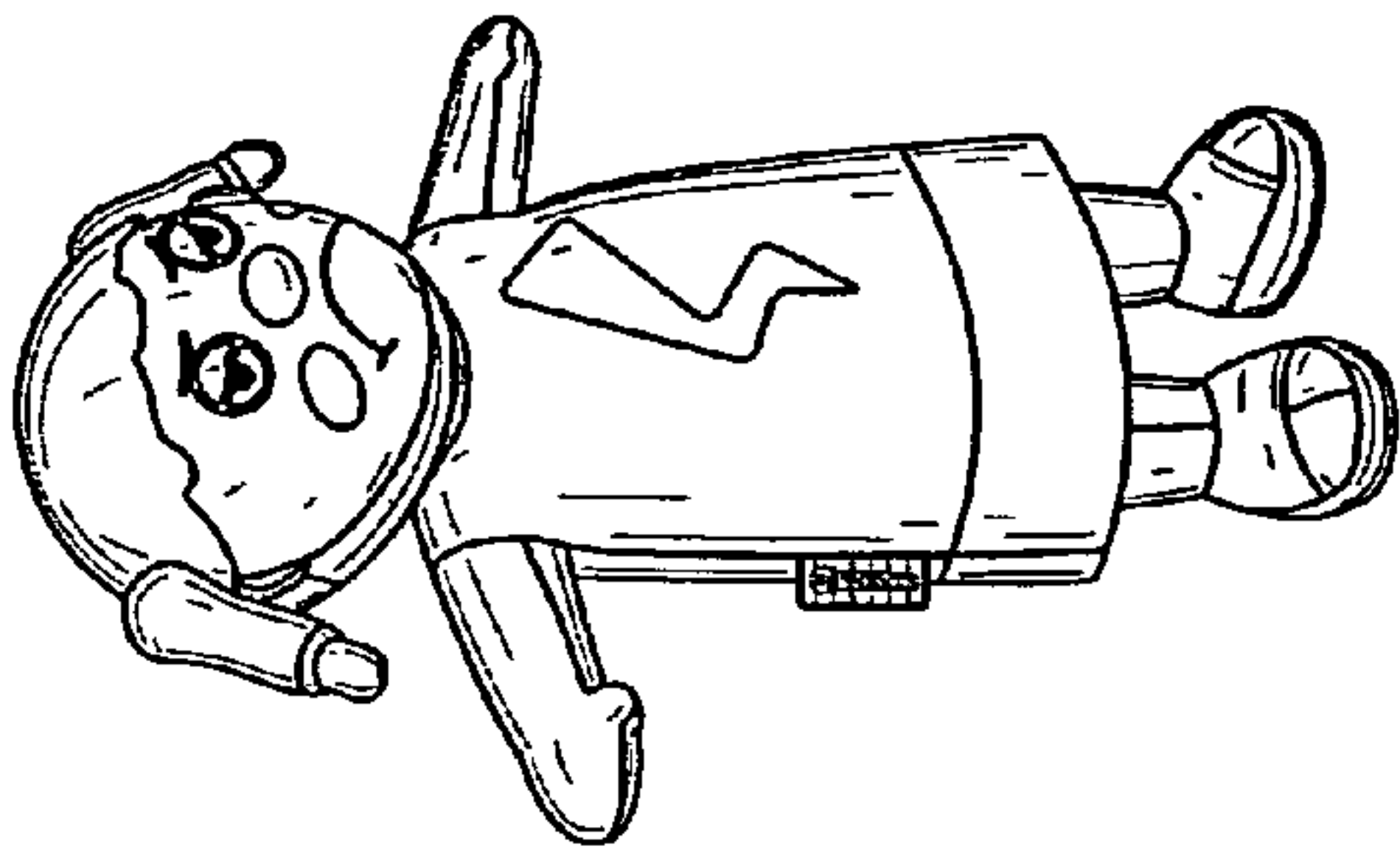


Fig.1

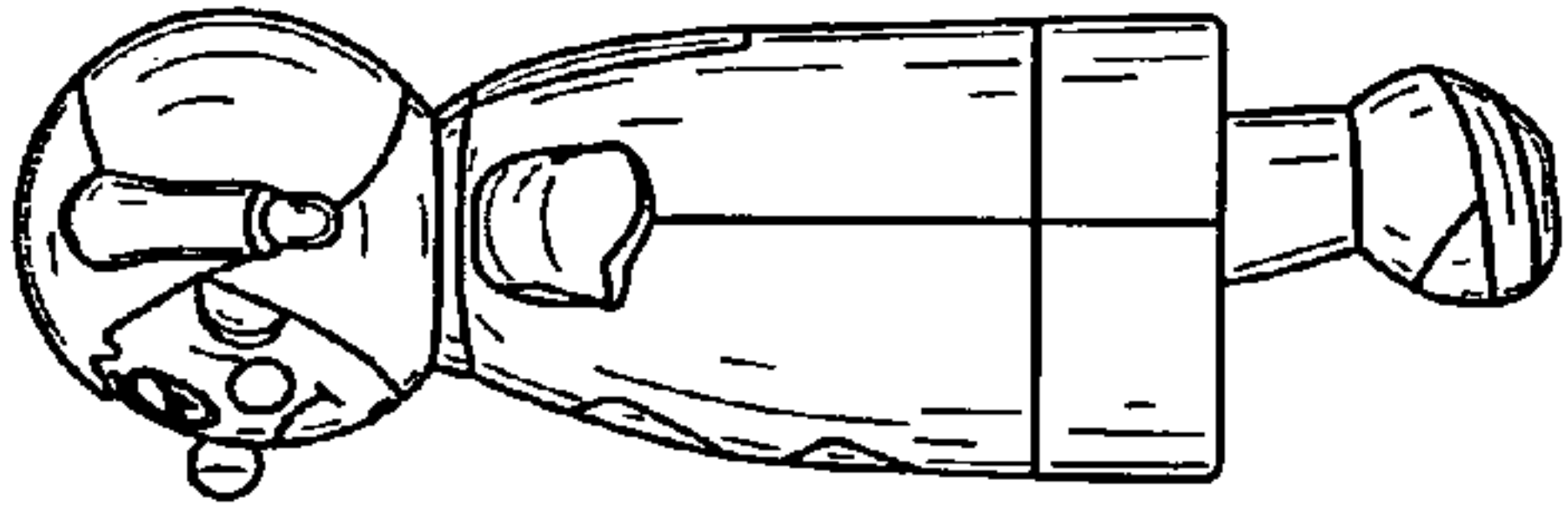


Fig.2

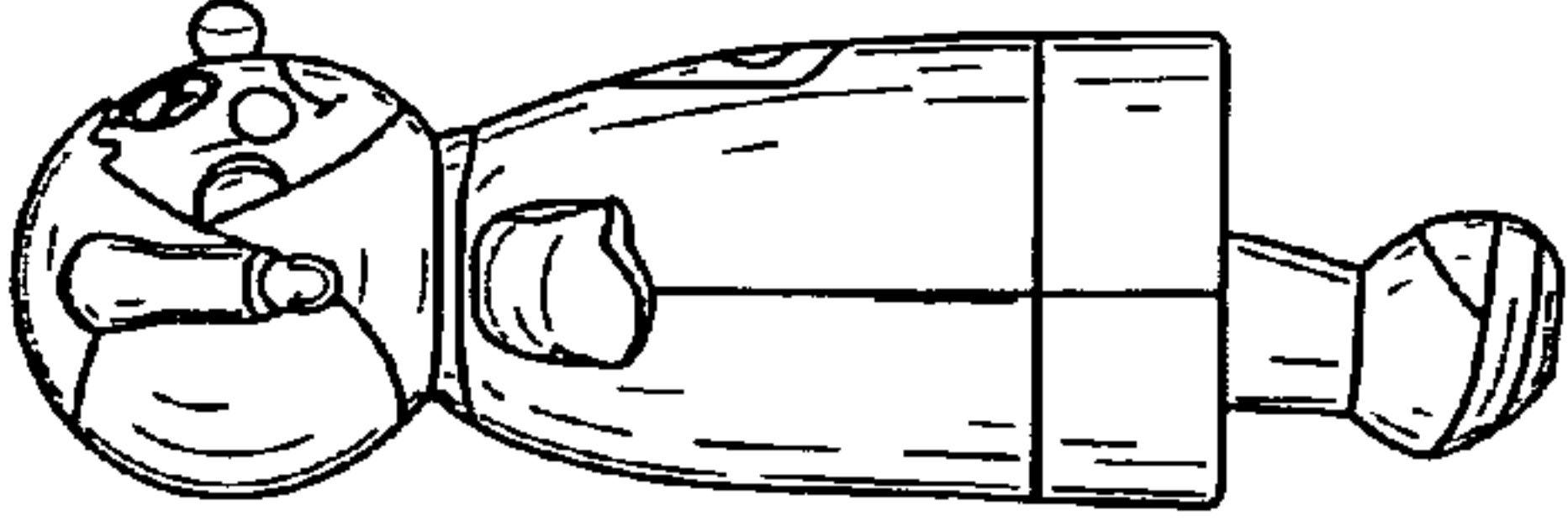


Fig.3

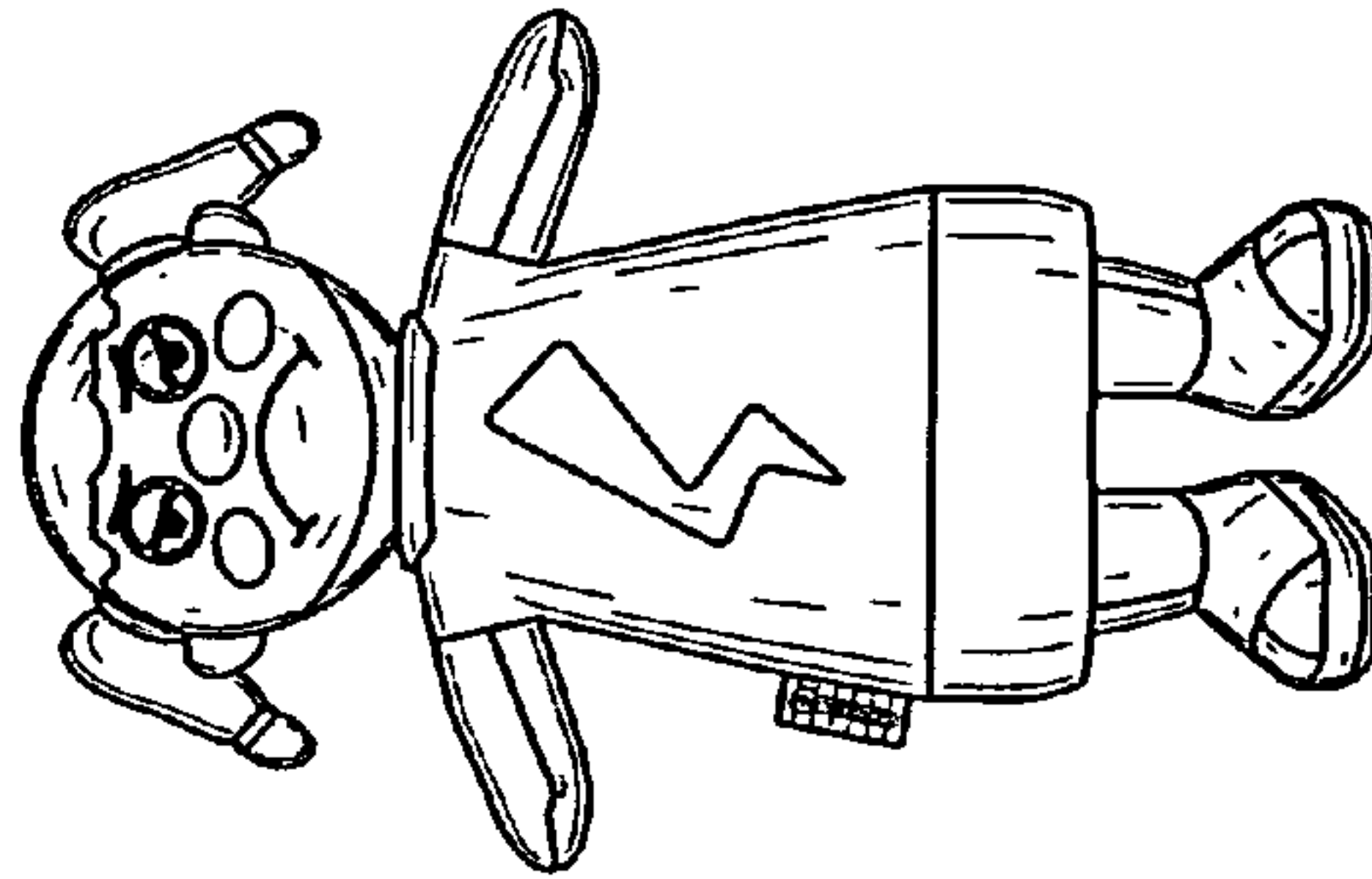


Fig.4

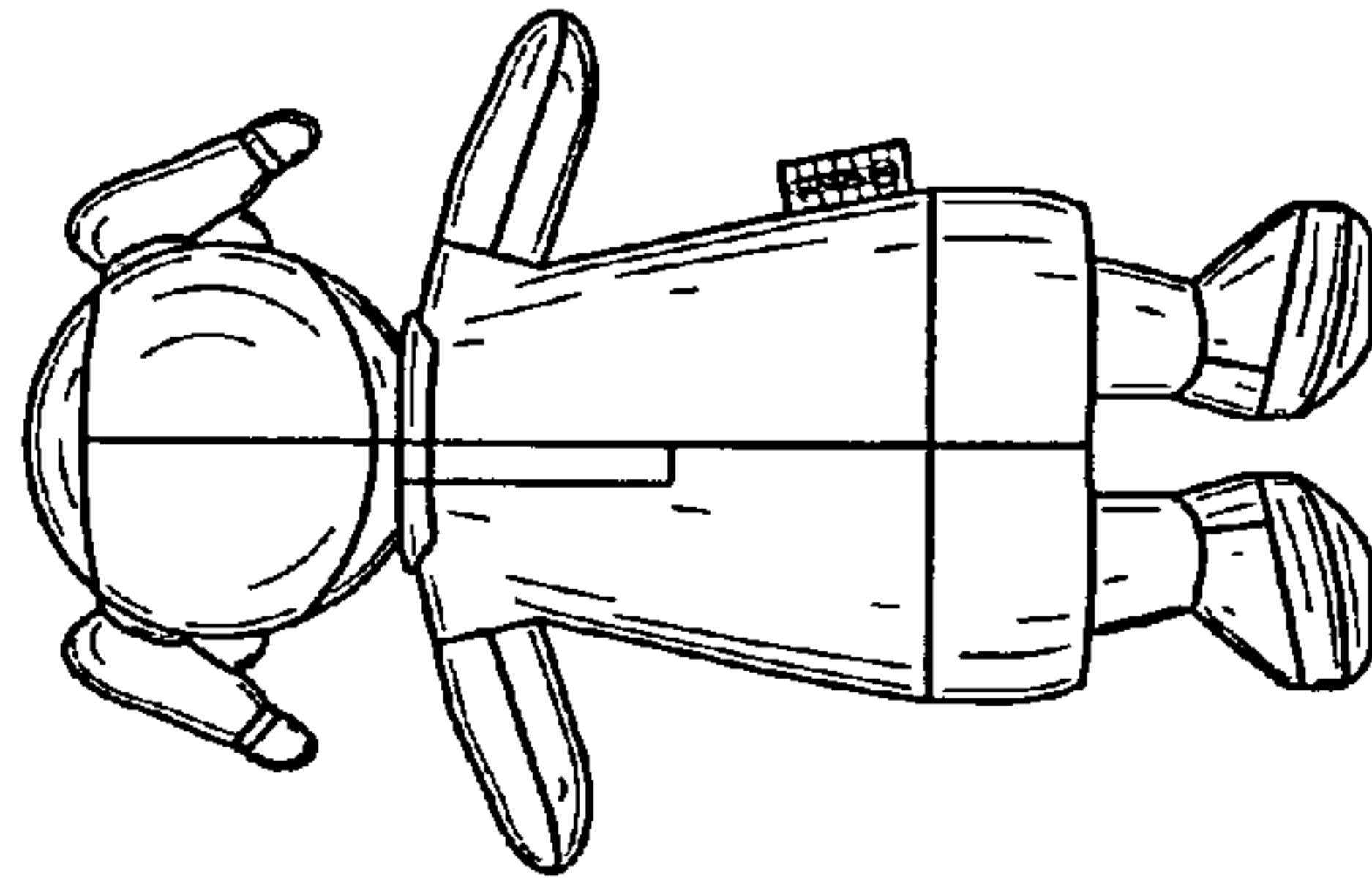


Fig.5