



US00D576216S

(12) **United States Design Patent**  
**Van de Rostyne et al.**

(10) **Patent No.:** **US D576,216 S**  
(45) **Date of Patent:** **\*\* Sep. 2, 2008**

(54) **FLYING OBJECT**

(75) Inventors: **Alexander Jozef Magdalena Van de Rostyne**, Bornem (BE); **Chi Pok Billy Wai**, Causeway Bay (HK)

(73) Assignee: **Silverlit Toys Manufactory, Ltd.**, Hong Kong (HK)

(\*\*) Term: **14 Years**

(21) Appl. No.: **29/297,769**

(22) Filed: **Nov. 16, 2007**

(51) **LOC (8) Cl.** ..... **21-01**

(52) **U.S. Cl.** ..... **D21/449; D21/450**

(58) **Field of Classification Search** ..... D21/436-454;  
D12/319-345; 446/30-68, 88; 244/10, 12.1,  
244/12.6, 15, 16, 21, 23 R, 23 C, 35 R, 36,  
244/73 R, 65, 87, 100 R, 153 R-153 A, 900-904  
See application file for complete search history.

(56) **References Cited**

**U.S. PATENT DOCUMENTS**

1,914,822 A *	6/1933	Bryan	.....	244/155 R
2,303,713 A *	12/1942	Thompson	.....	244/113
D169,864 S	6/1953	Myser		
D183,349 S *	5/1958	Johnson	.....	D12/330
D215,457 S	9/1969	Wallace		
D225,349 S *	12/1972	Gould	.....	D21/445
3,860,204 A *	1/1975	Checkley	.....	244/153 R
3,871,602 A	3/1975	Kissinger		
4,081,158 A *	3/1978	Pearce	.....	244/153 R
D257,731 S	12/1980	Zeck et al.		
4,377,051 A *	3/1983	Dulake	.....	446/31

D274,279 S *	6/1984	Meckley	.....	D21/445
D291,215 S	8/1987	Arata, Jr.		
D300,938 S	5/1989	Delaney		
D347,032 S	5/1994	Nieder		
D411,238 S	6/1999	Cornish		
5,971,321 A *	10/1999	Libengood	.....	244/36
6,371,041 B1	4/2002	Ness		
D460,126 S	7/2002	Zweiback		
D517,614 S *	3/2006	Christensen	.....	D21/437
2006/0192926 A1	8/2006	Soper et al.		
2007/0141944 A1 *	6/2007	Abeshouse	.....	446/34

\* cited by examiner

*Primary Examiner*—Catherine Tuttle

(74) *Attorney, Agent, or Firm*—Greenberg Traurig, LLP

(57) **CLAIM**

The ornamental design for a flying object, as shown and described.

**DESCRIPTION**

FIG. 1 is a top, rear and left perspective view of a flying object showing our new design;

FIG. 2 is a top, rear and right perspective view thereof;

FIG. 3 is a front, top and left perspective view thereof;

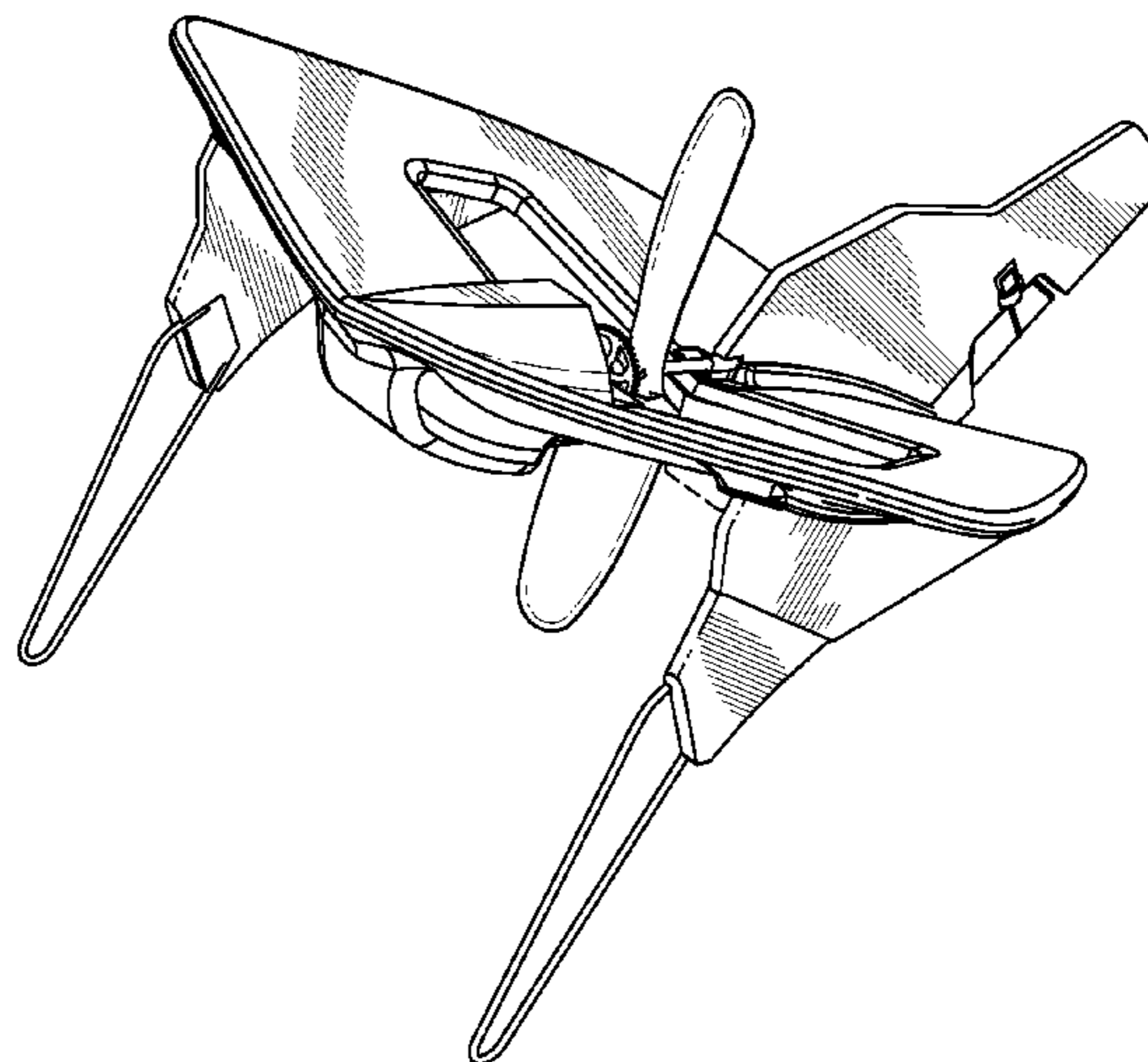
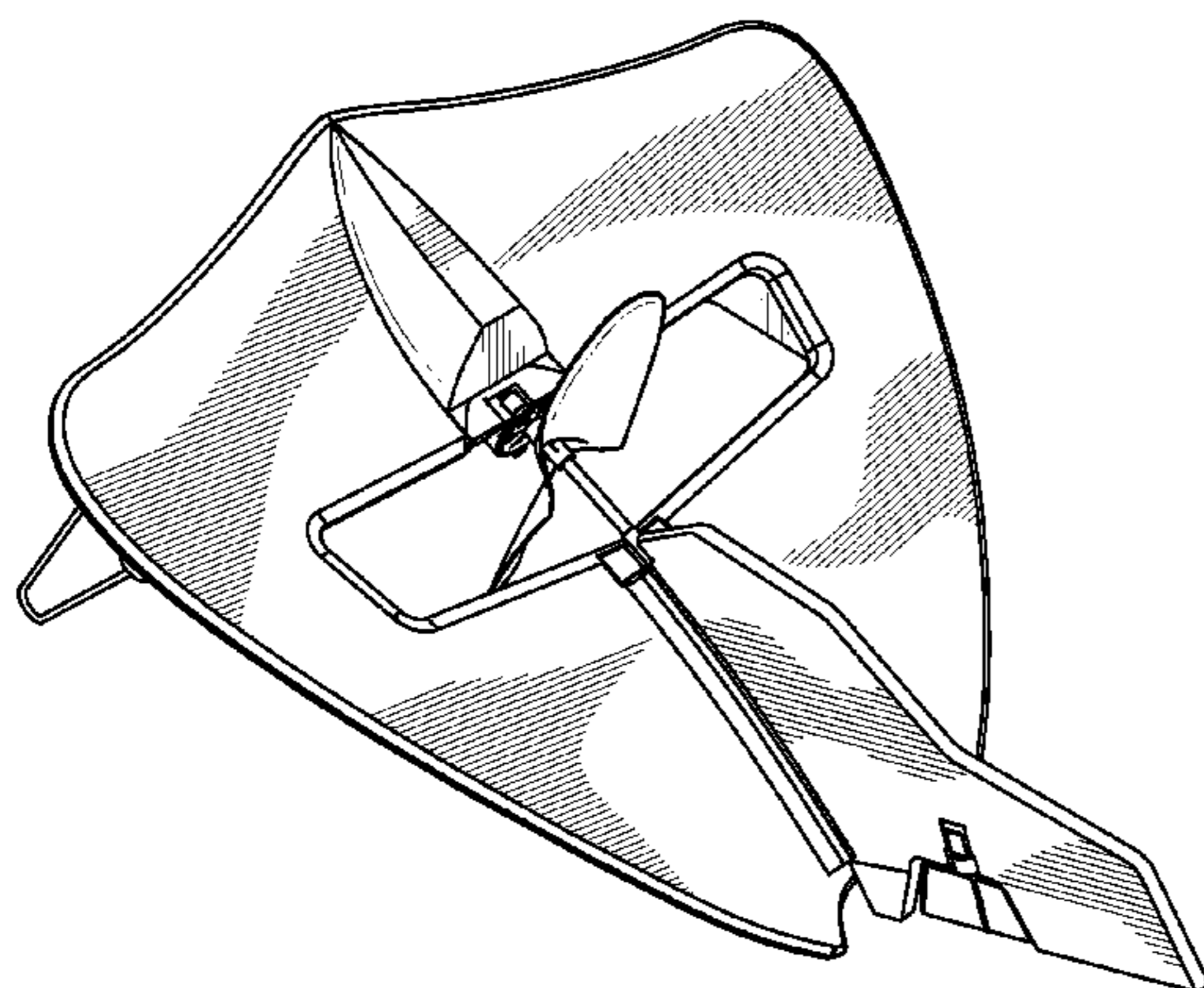
FIG. 4 is a front, top and right perspective view thereof;

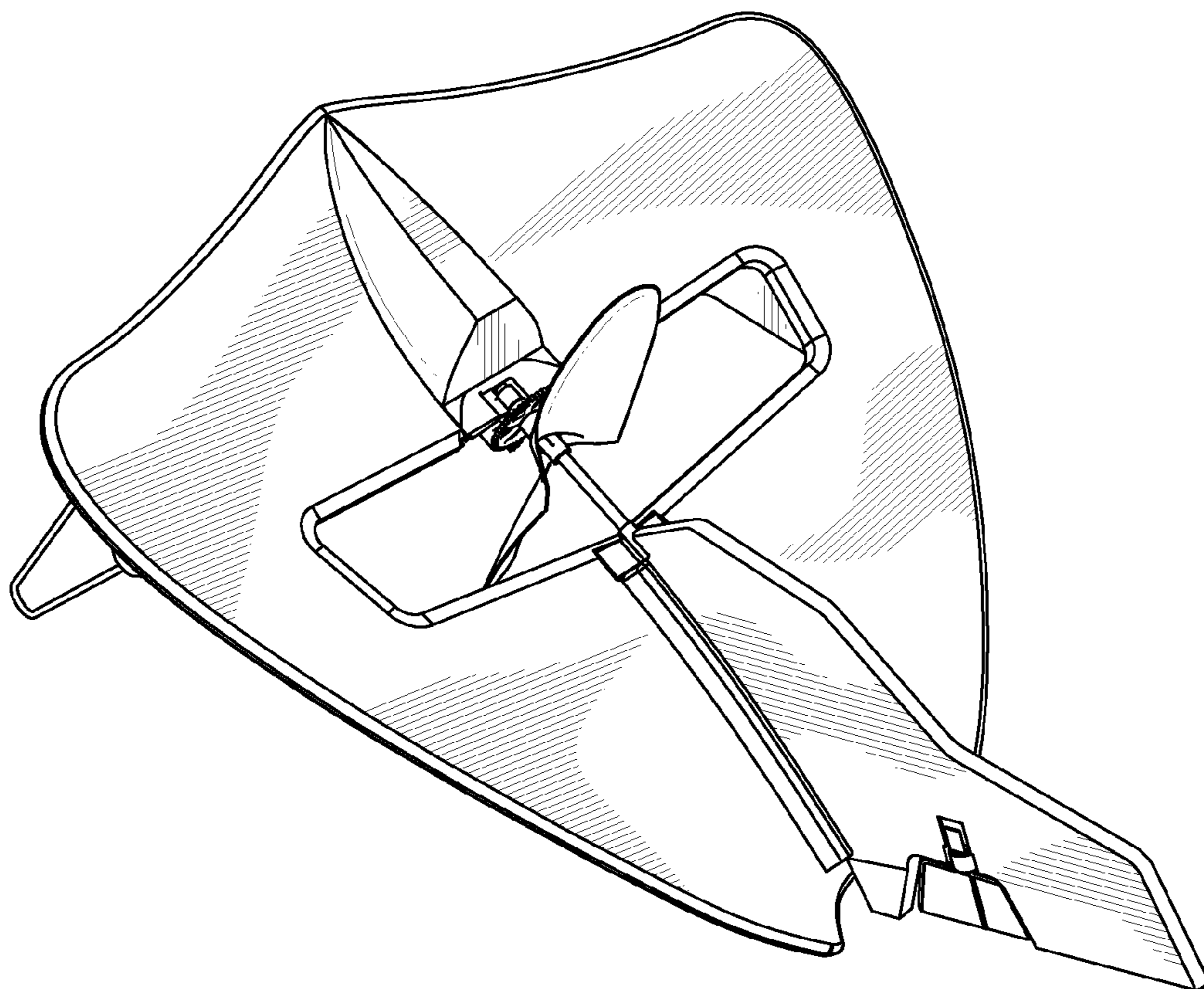
FIG. 5 is a bottom view thereof; and,

FIG. 6 is a top view thereof.

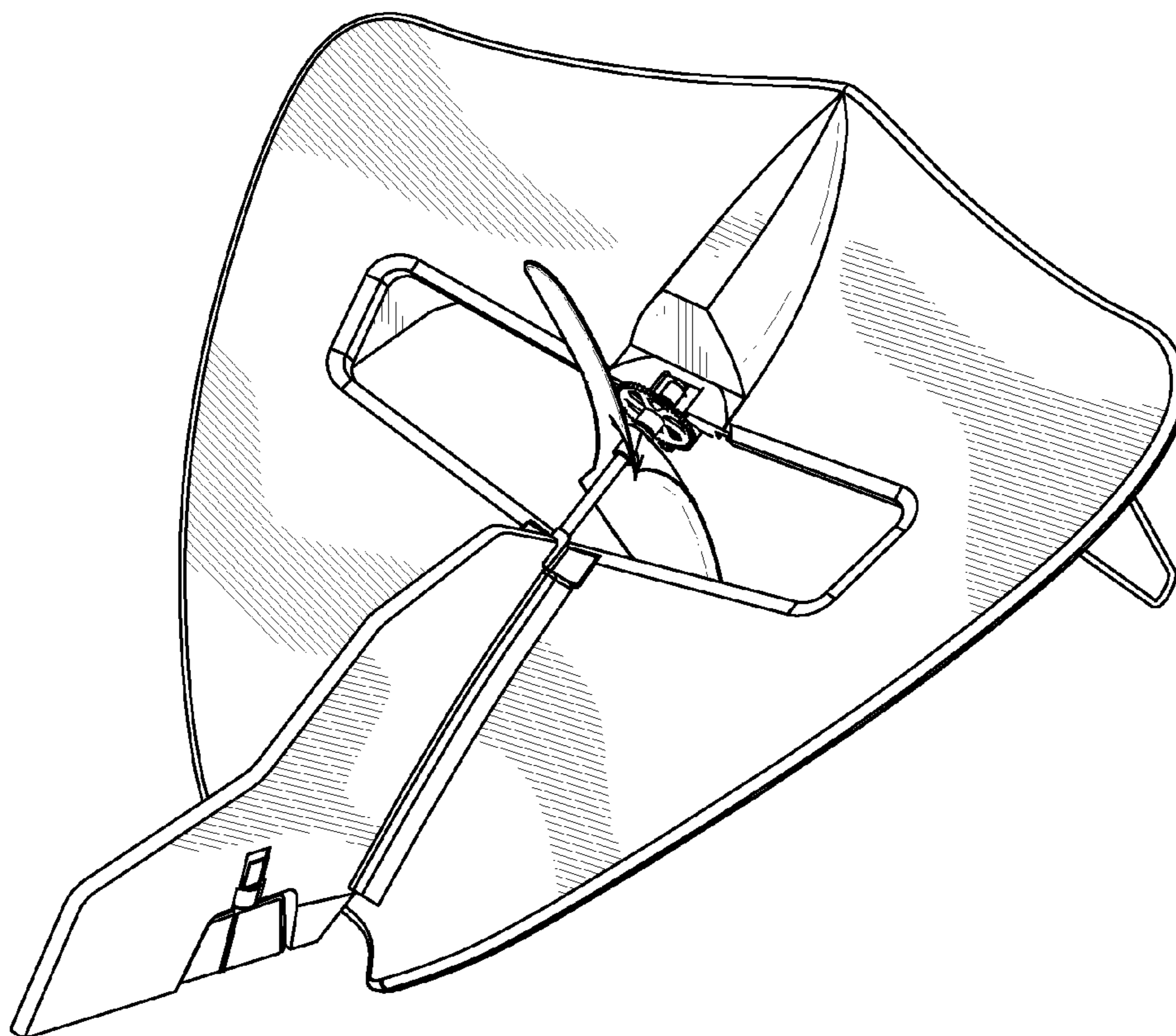
The broken lines in FIG. 5 are included for the purpose of illustrating a portion of the flying object that forms no part of the claimed design.

**1 Claim, 5 Drawing Sheets**





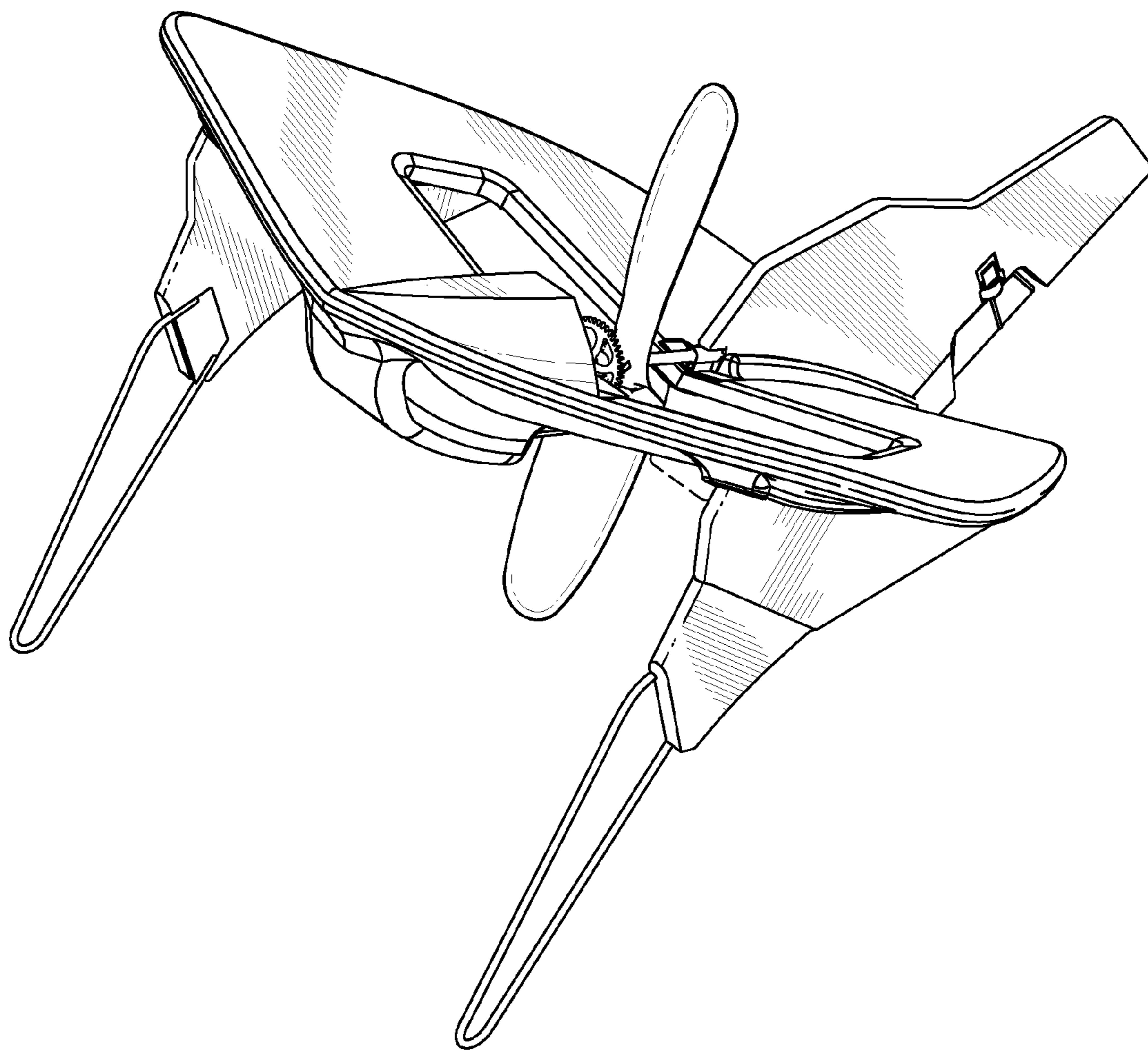
*FIG. 1*



*FIG. 2*



*FIG. 3*



*FIG. 4*

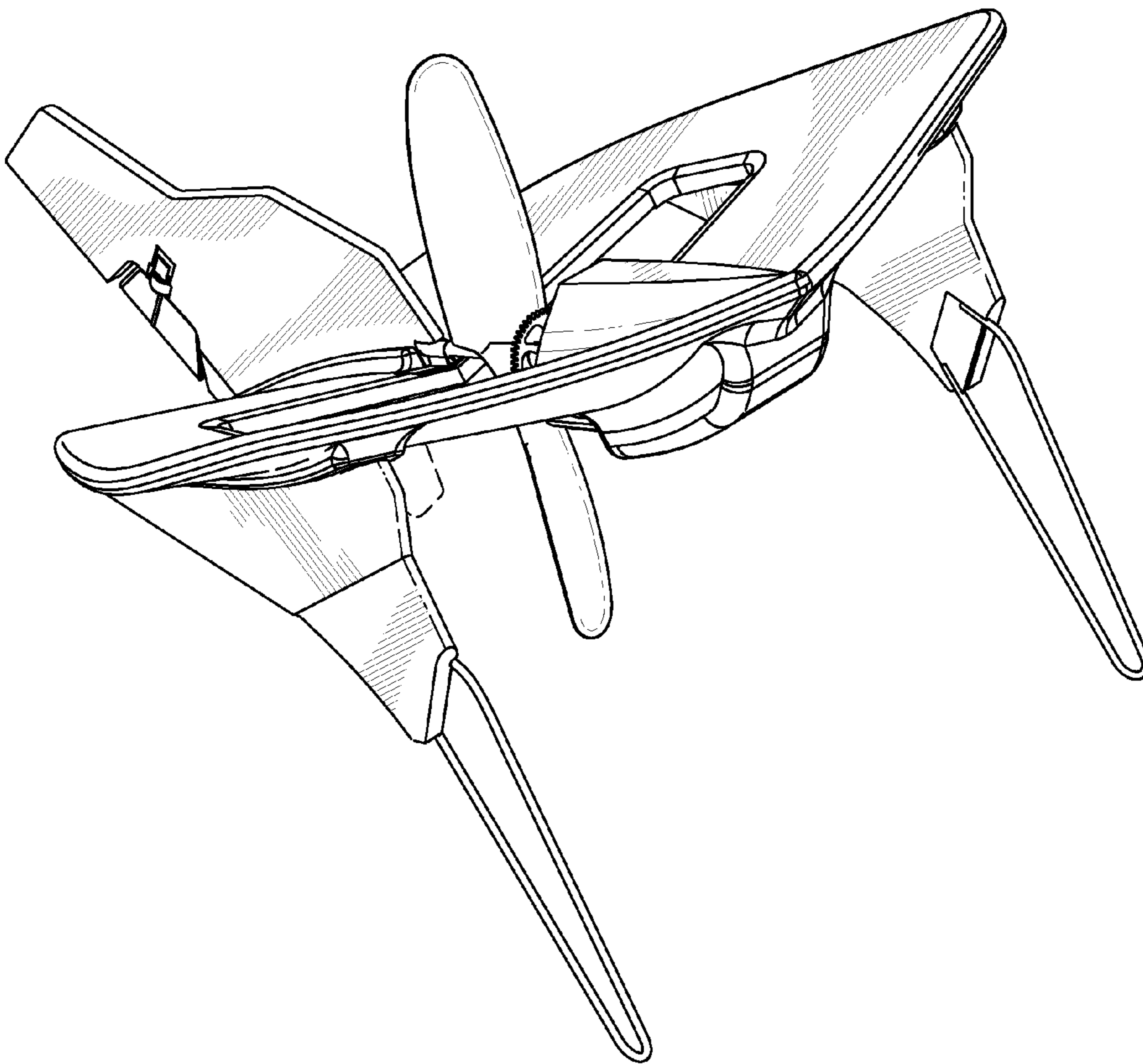


FIG. 6

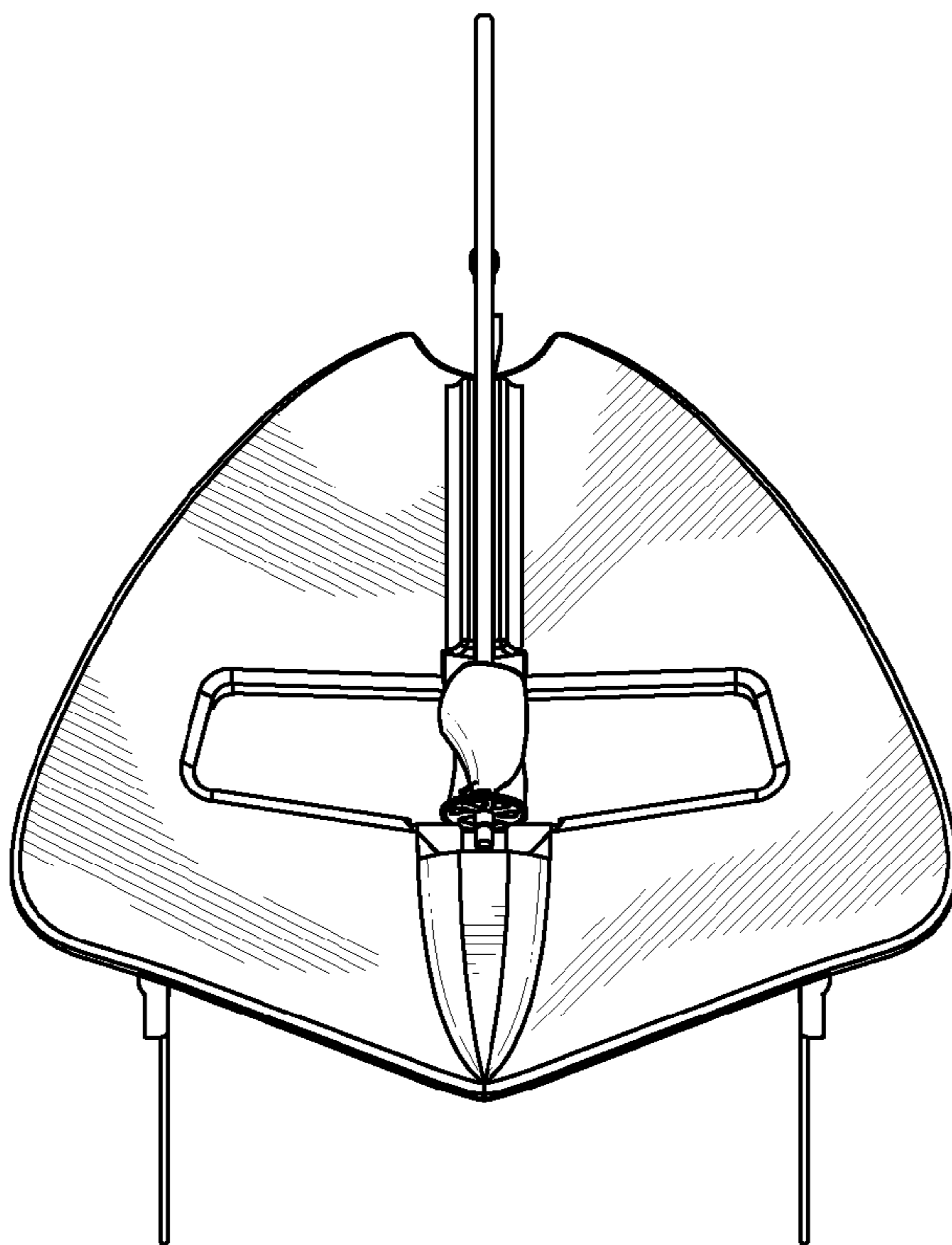


FIG. 5

