



US00D576203S

(12) **United States Design Patent**
Laidlaw et al.

(10) **Patent No.:** **US D576,203 S**

(45) **Date of Patent:** **** Sep. 2, 2008**

(54) **PRINTER**

(75) Inventors: **Anthony G. Laidlaw**, Boise, ID (US);
John L. Guenther, Aptos, CA (US);
Angelo La Barbera, Eagle, ID (US);
Dennis Terenzio, Boise, ID (US);
Jirawat Jeamvigite, Los Angeles, CA
(US); **Stefan Muller**, Magdeburg (DE);
Albert B. Kim, Los Angeles, CA (US);
Andre De Salis, Pasadena, CA (US)

(73) Assignee: **Hewlett-Packard Development
Company, L.P.**, Houston, TX (US)

(**) Term: **14 Years**

(21) Appl. No.: **29/272,025**

(22) Filed: **Jan. 31, 2007**

(51) **LOC (8) Cl.** **14-02**

(52) **U.S. Cl.** **D18/55**

(58) **Field of Classification Search** D18/4.4,
D18/36-39, 41, 50, 53, 54-55; D14/420,
D14/462-470; 400/613, 613.1-613.4, 690.1-690.4,
400/691-694

See application file for complete search history.

(56) **References Cited**

U.S. PATENT DOCUMENTS

D528,597 S * 9/2006 King et al. D18/55
D532,450 S * 11/2006 Smith et al. D18/55

D555,194 S * 11/2007 Smith et al. D18/55
D561,250 S * 2/2008 Smith et al. D18/55
D561,251 S * 2/2008 Tjin Wong Joe et al. D18/55
D561,824 S * 2/2008 Park et al. D18/55

* cited by examiner

Primary Examiner—Cathy Anne MacCormac

(57) **CLAIM**

The ornamental design for a printer, as shown and described.

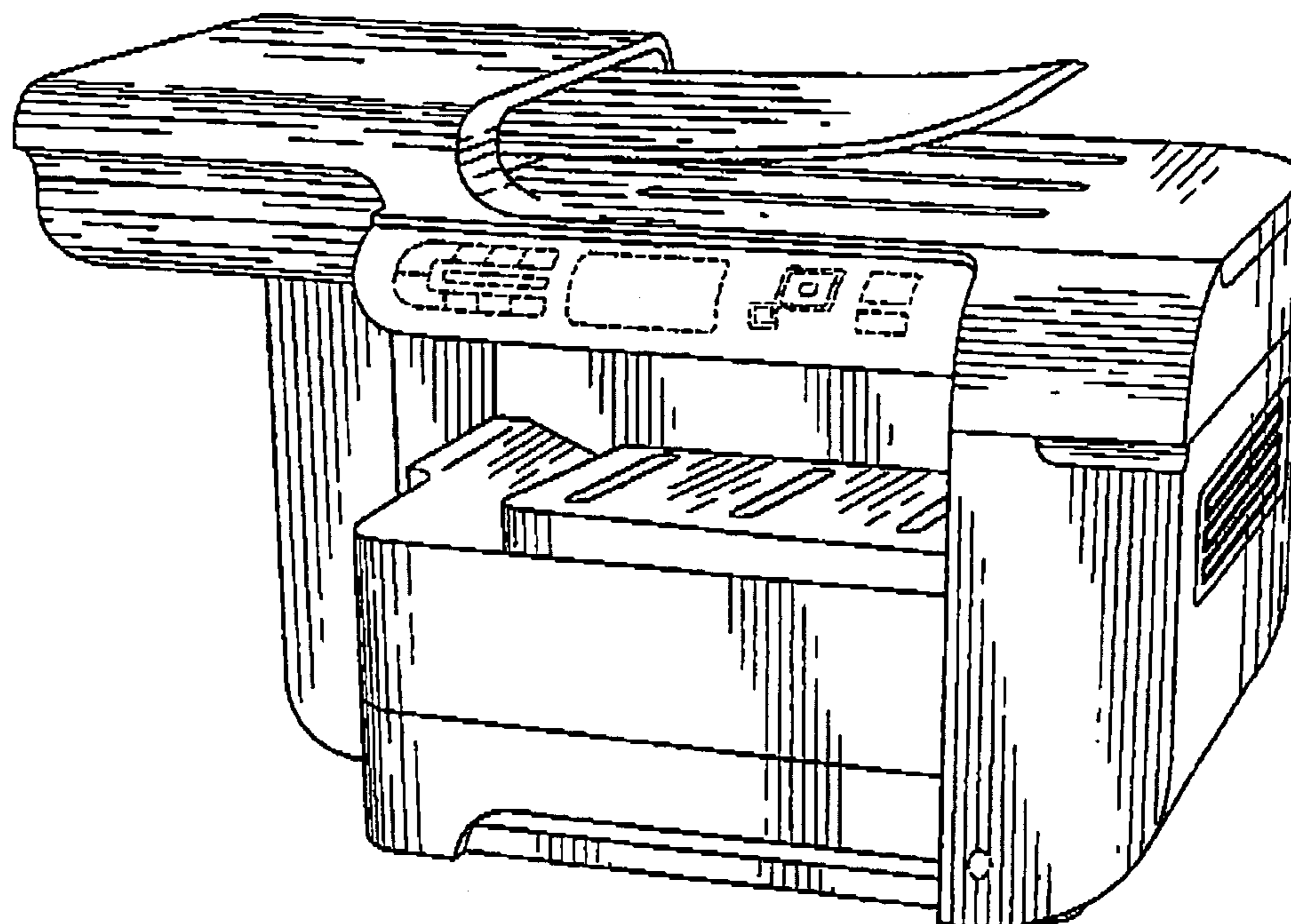
DESCRIPTION

FIG. 1 is a front perspective view of a printer;
FIG. 2 is a rear perspective view thereof;
FIG. 3 is a front elevational view thereof;
FIG. 4 is a rear elevational view thereof;
FIG. 5 is a right elevational view thereof;
FIG. 6 is a left elevational view thereof; and,
FIG. 7 is a top plan view thereof.

The broken lines on FIGS. 1, 2, 3, 6 and 7 are for illustrative purposes only and form no part of the claimed design.

The bottom of the printer, not shown, forms no part of the claimed design.

1 Claim, 4 Drawing Sheets



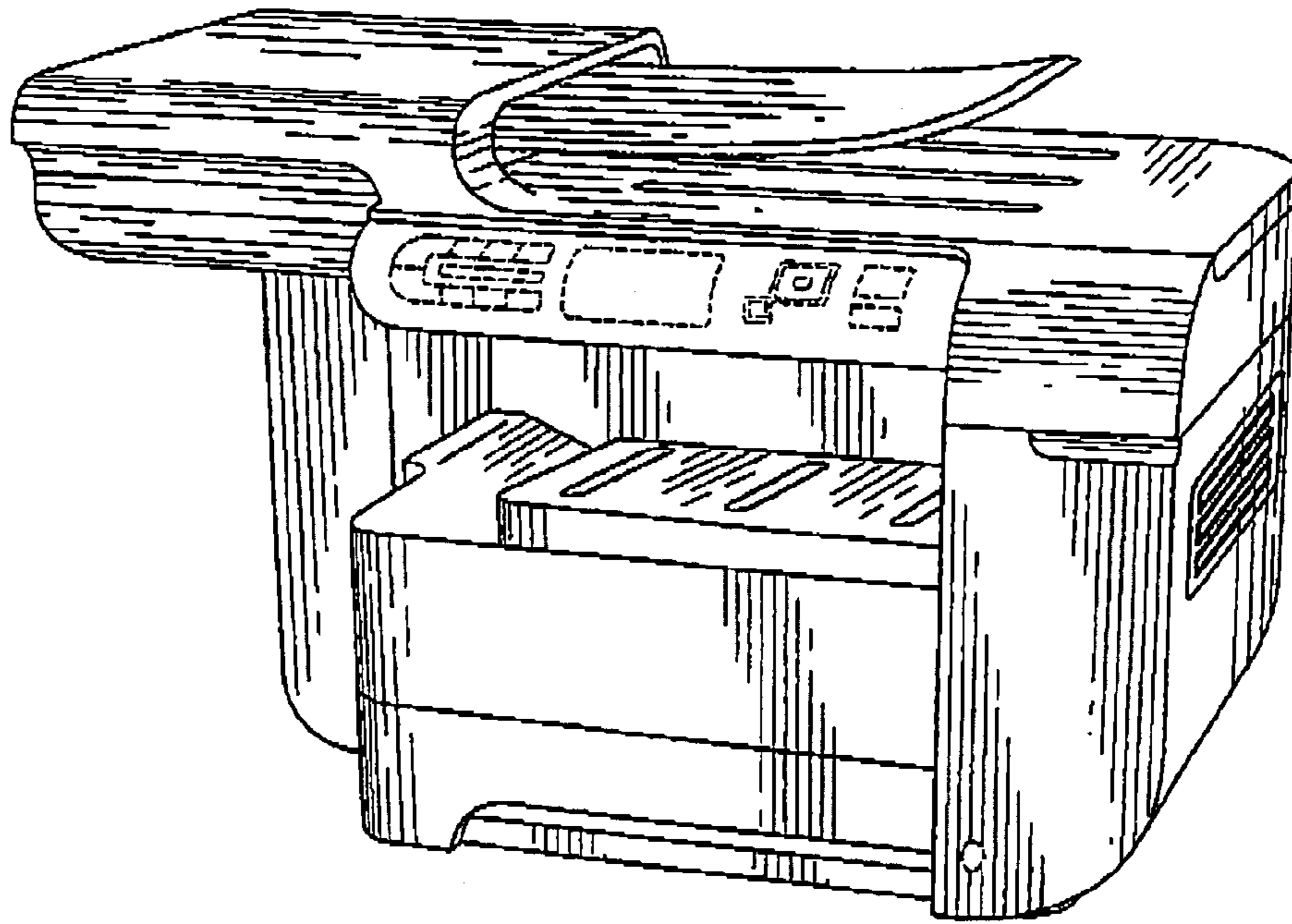


FIG. 1

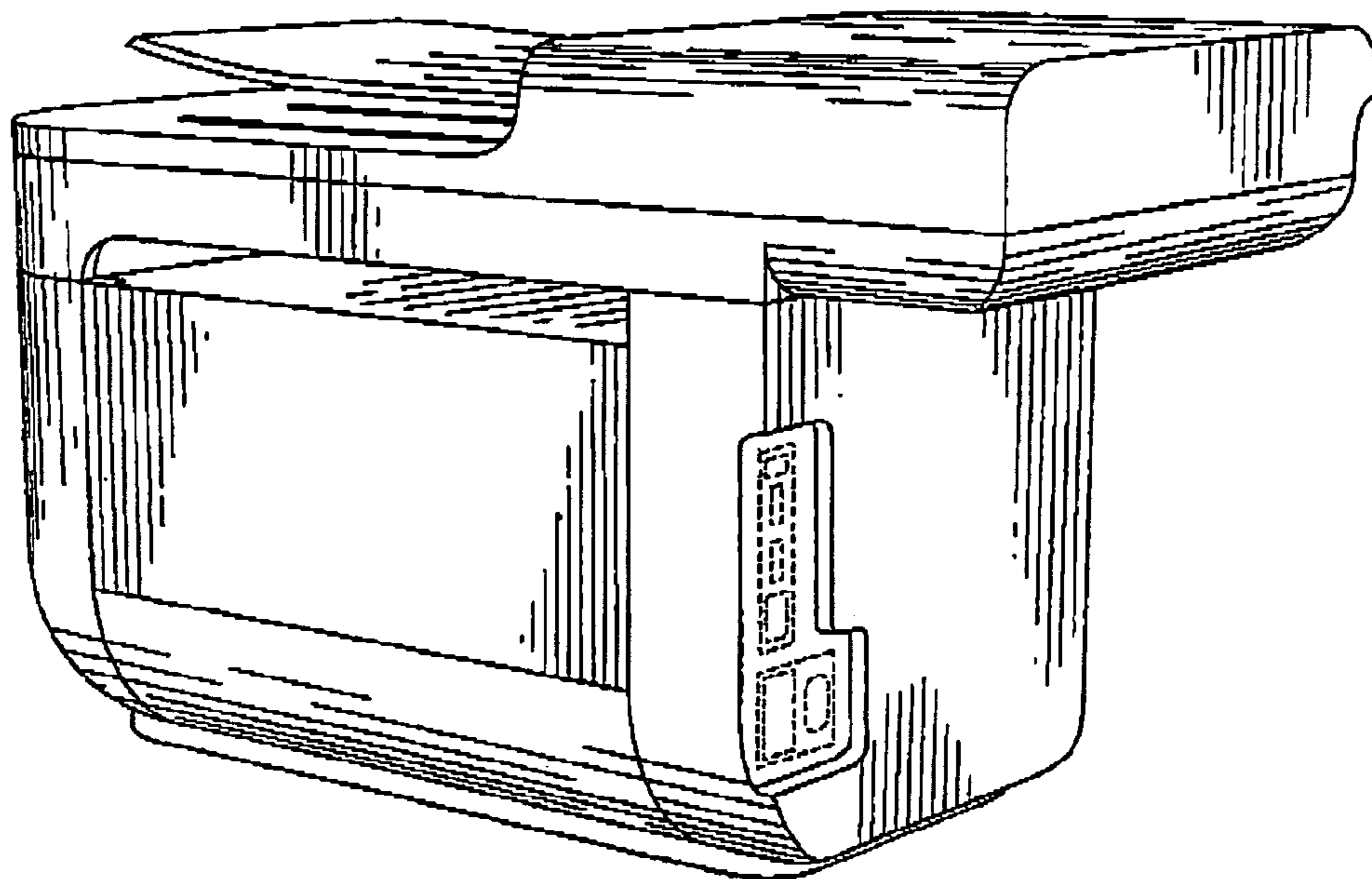


FIG. 2

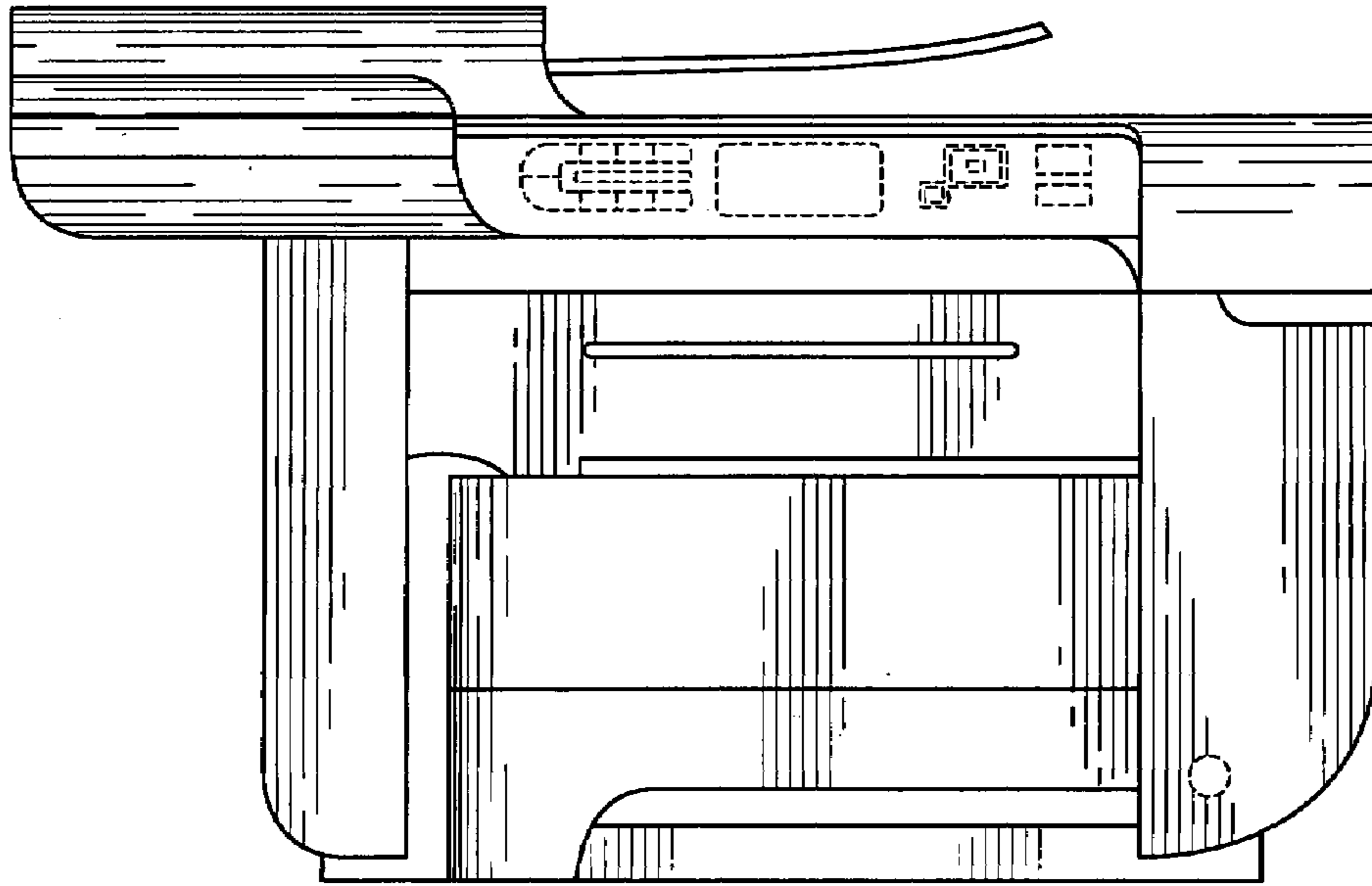


FIG. 3

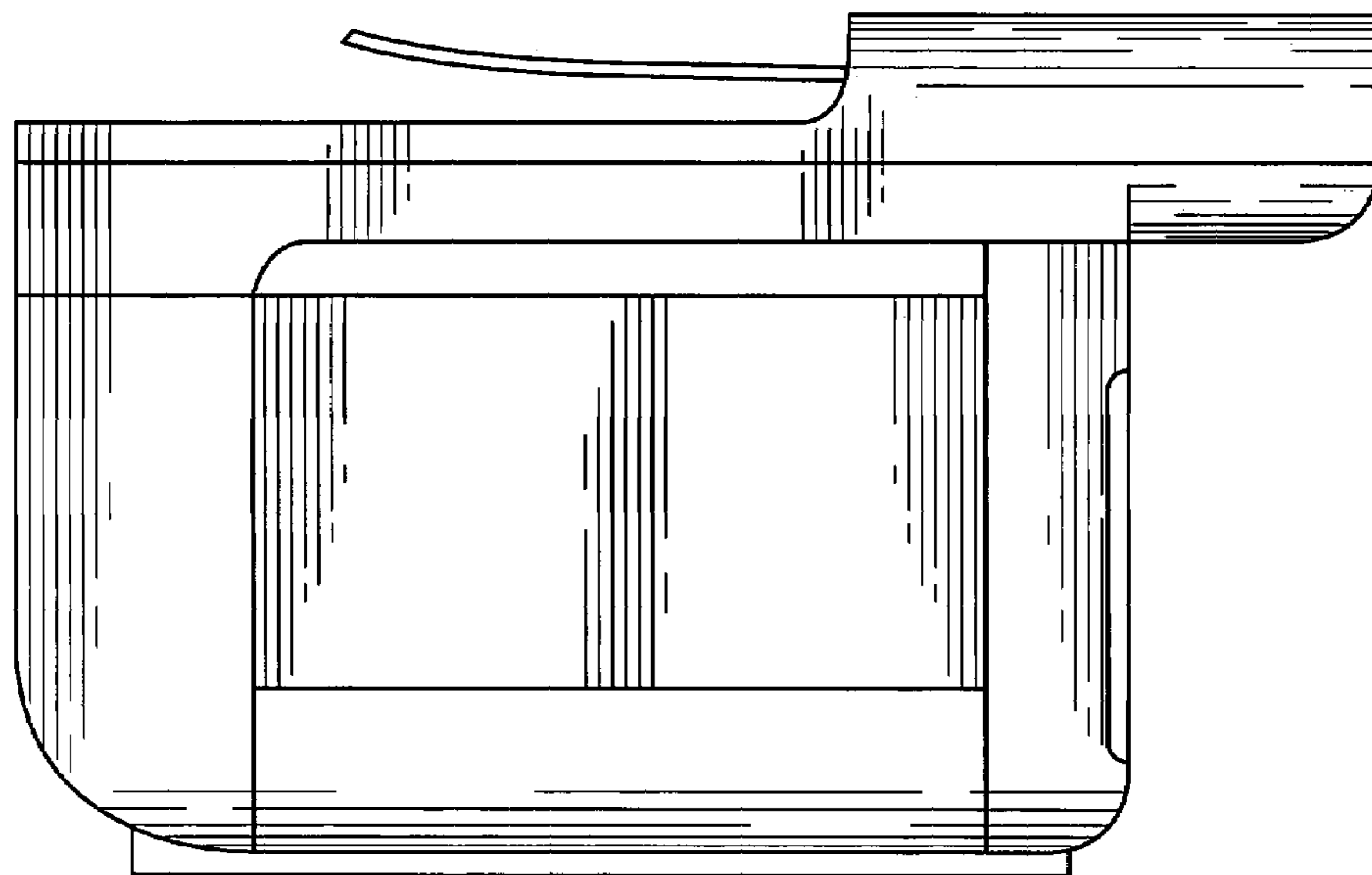


FIG. 4

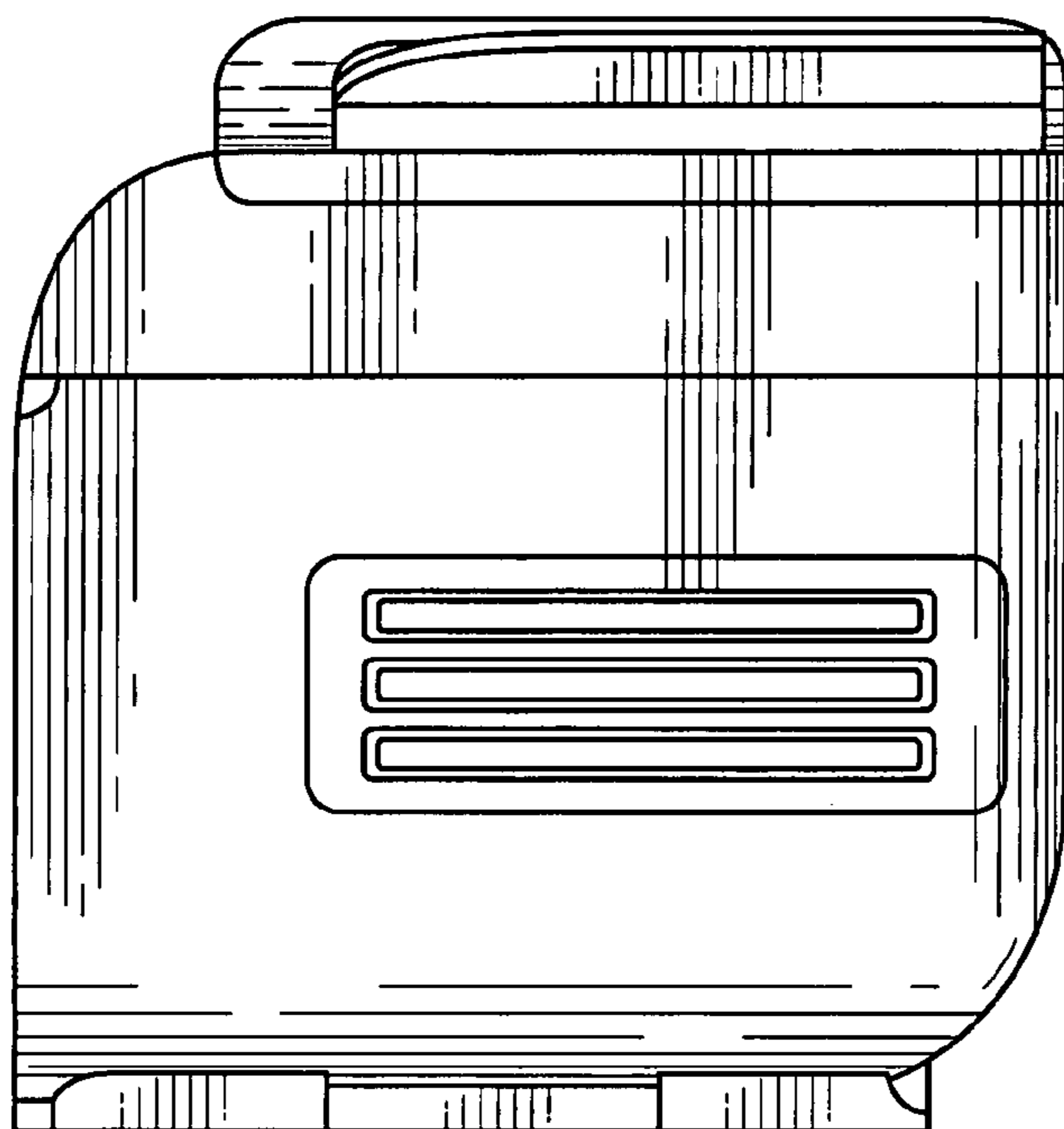


FIG. 5

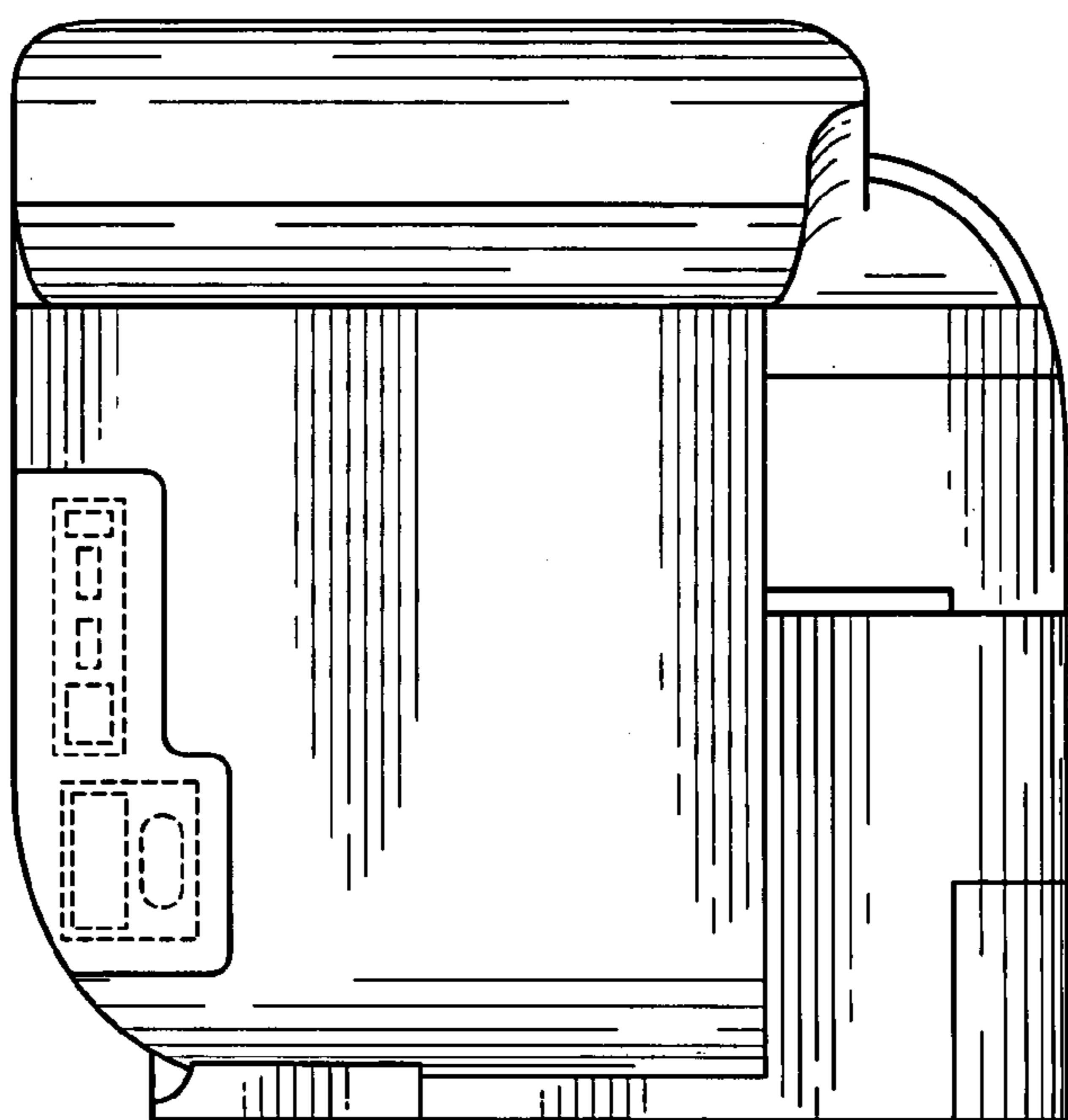


FIG. 6

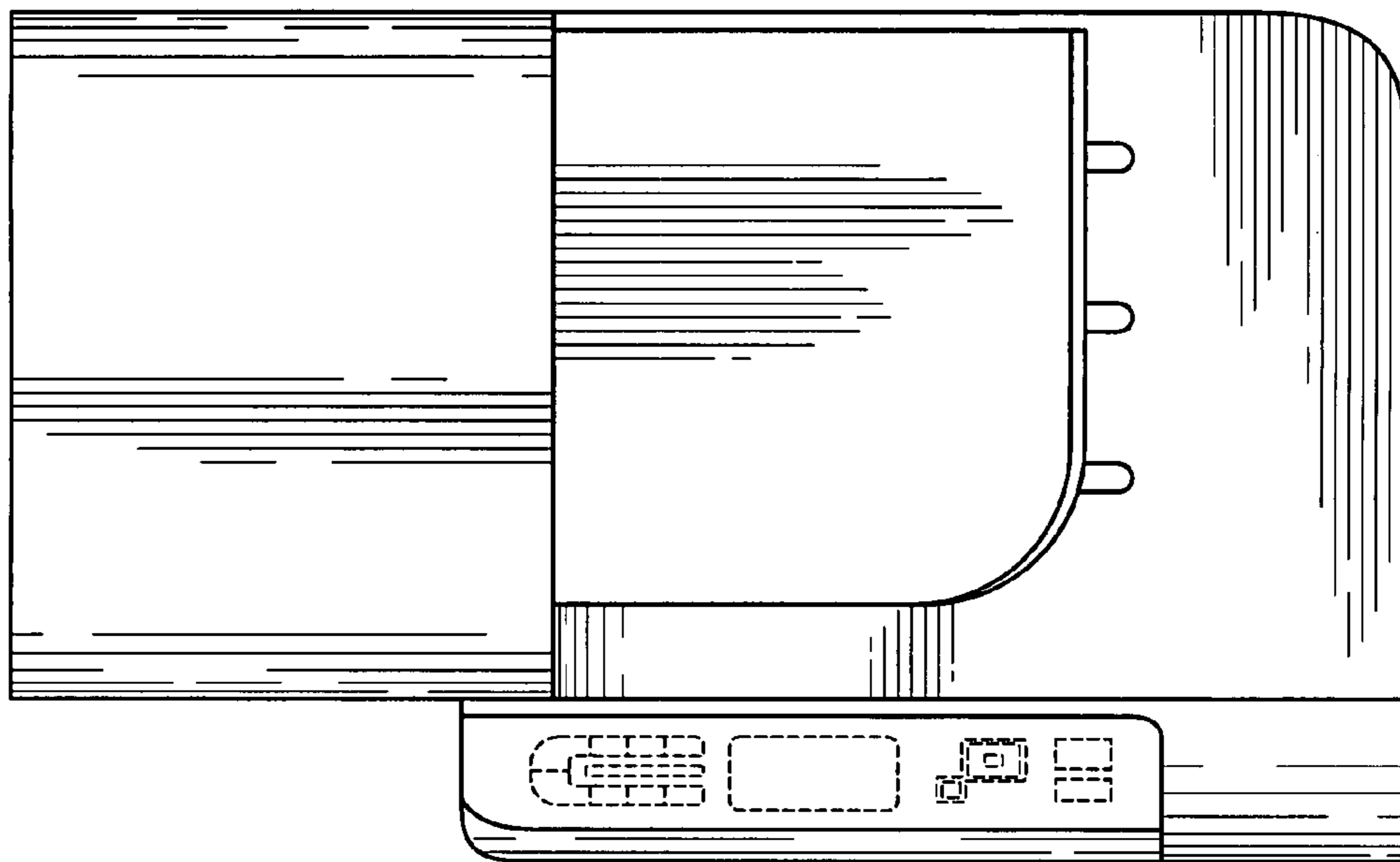


FIG. 7