



US00D576201S

(12) **United States Design Patent**  
**Yamagata et al.**

(10) **Patent No.:** **US D576,201 S**  
(45) **Date of Patent:** **\*\* Sep. 2, 2008**

(54) **AUTOMATIC DOCUMENT FEEDER**

(75) Inventors: **Takashi Yamagata**, Kyoto (JP); **Ryuichi Onaka**, Kyoto (JP)

(73) Assignee: **Murata Kikai Kabushiki Kaisha**, Kyoto (JP)

(\*\*) Term: **14 Years**

(21) Appl. No.: **29/246,640**

(22) Filed: **Apr. 28, 2006**

(30) **Foreign Application Priority Data**

Mar. 17, 2006 (JP) ..... 2006-006879

(51) **LOC (8) Cl.** ..... **18-99**

(52) **U.S. Cl.** ..... **D18/49**

(58) **Field of Classification Search** ..... D18/36-41,  
D18/44-55; 222/DIG. 1; 271/3.14, 8.1,  
271/226, 278; 355/97, 99; 399/1-7, 16,  
399/75, 81, 107, 130, 151, 361, 365, 367,  
399/381-383, 388

See application file for complete search history.

(56) **References Cited**

**U.S. PATENT DOCUMENTS**

D384,693 S \* 10/1997 Kenmochi et al. .... D18/49

D537,866 S \* 3/2007 Matsuda et al. .... D18/39  
2002/0008347 A1 \* 1/2002 Takida et al. .... 271/3.14  
2005/0254869 A1 \* 11/2005 Yamada et al. .... 399/361

\* cited by examiner

*Primary Examiner*—Caron D. Veynar

*Assistant Examiner*—Garth Rademaker

(74) *Attorney, Agent, or Firm*—Sterne, Kessler, Goldstein & Fox P.L.L.C.

(57) **CLAIM**

The ornamental design for an automatic document feeder, as shown and described.

**DESCRIPTION**

FIG. 1 is a perspective view of an automatic document feeder showing our new design;

FIG. 2 is a front view thereof;

FIG. 3 is a rear view thereof;

FIG. 4 is a left side view thereof;

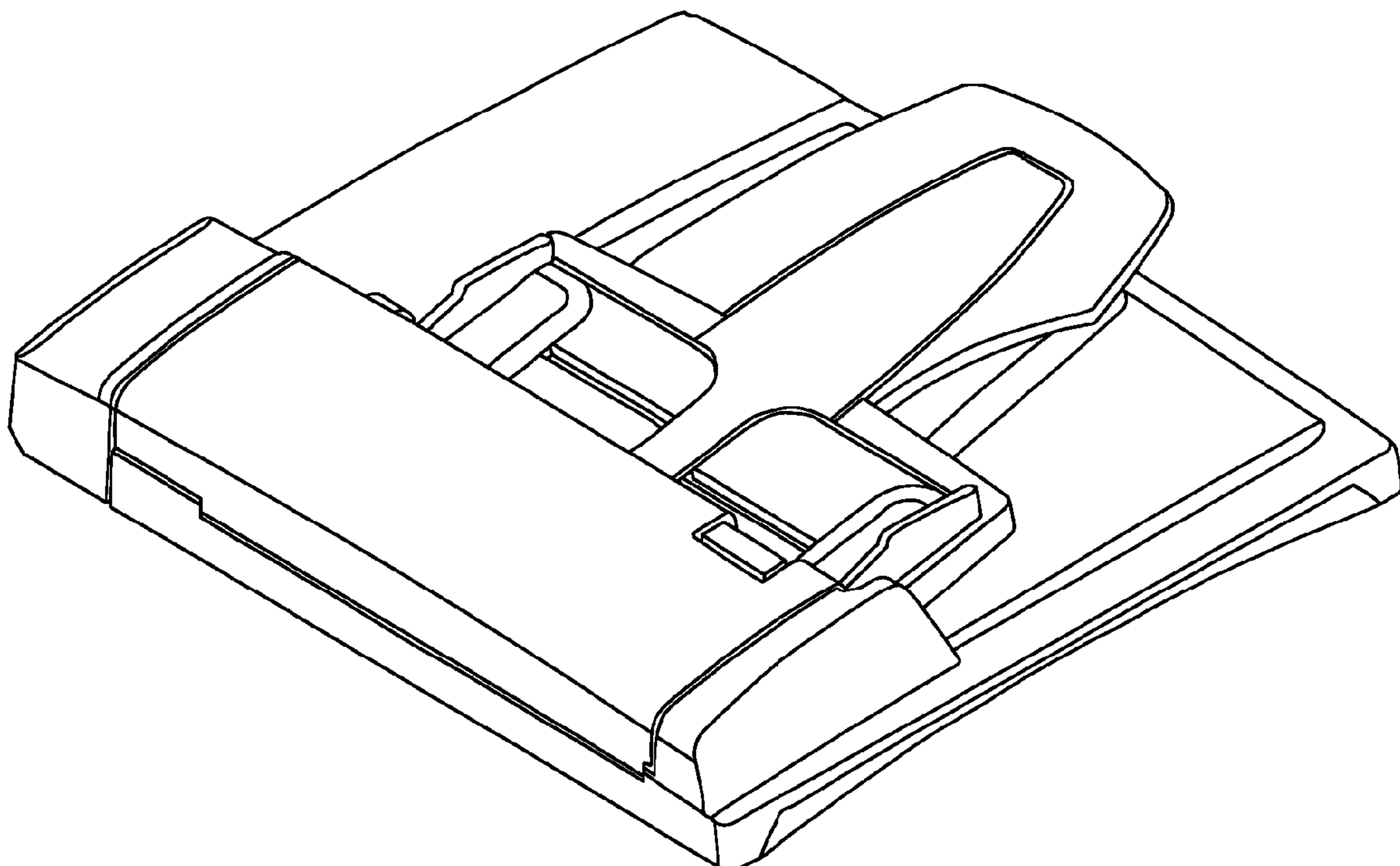
FIG. 5 is a right side view thereof;

FIG. 6 is a top plan view thereof; and,

FIG. 7 is a bottom view thereof.

The broken lines depict environmental subject matter only and form no part of the claimed design.

**1 Claim, 7 Drawing Sheets**



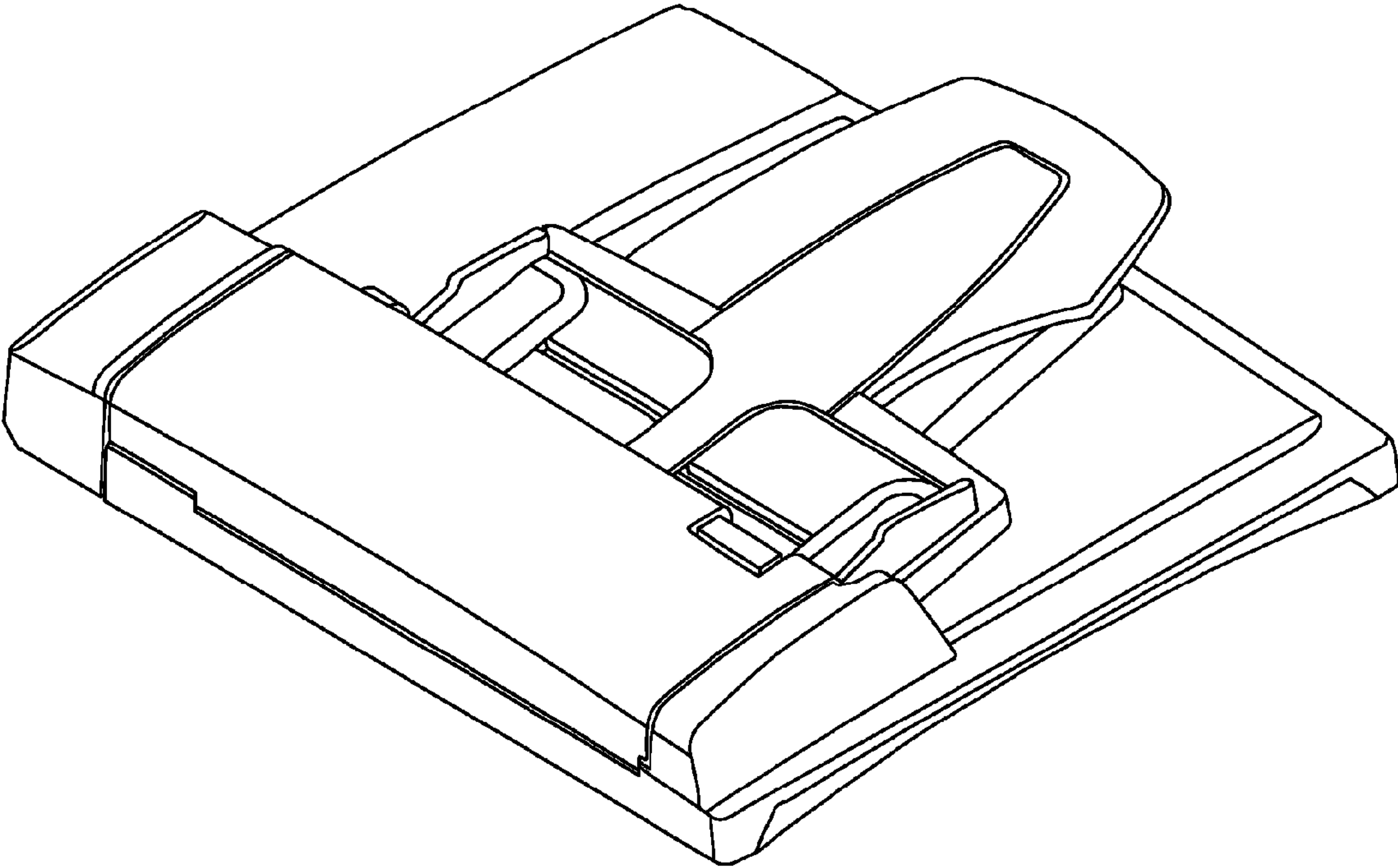


FIG. 1

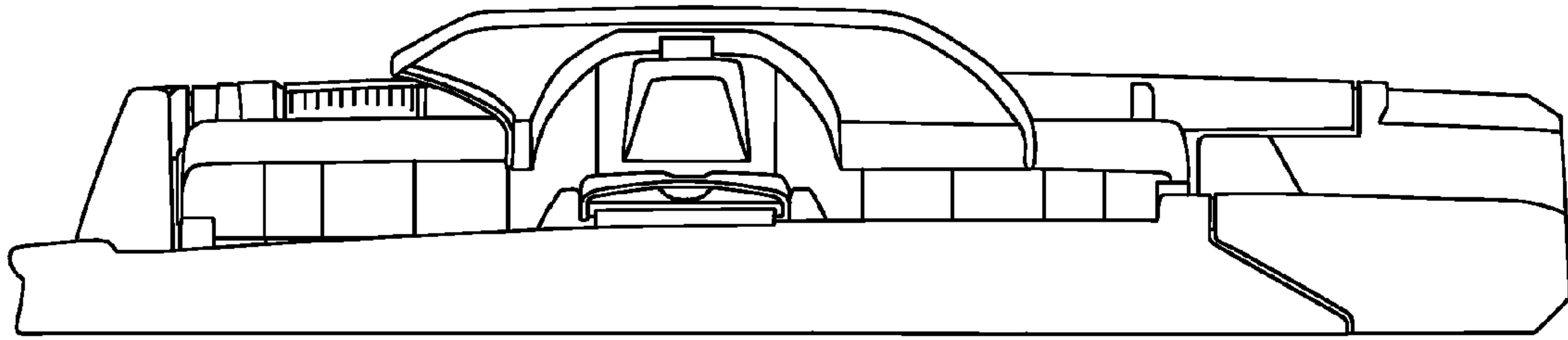


FIG. 2

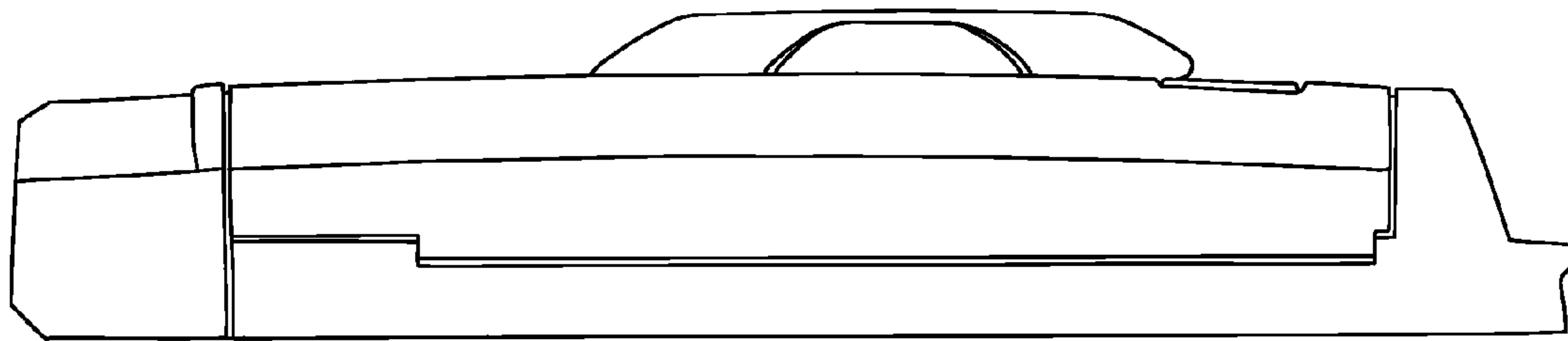


FIG. 3

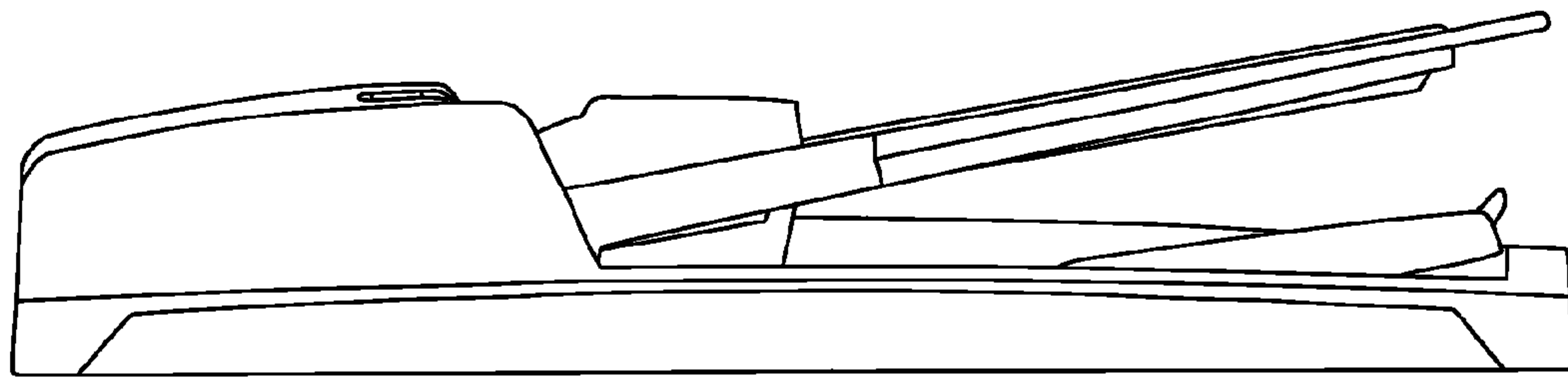


FIG. 4

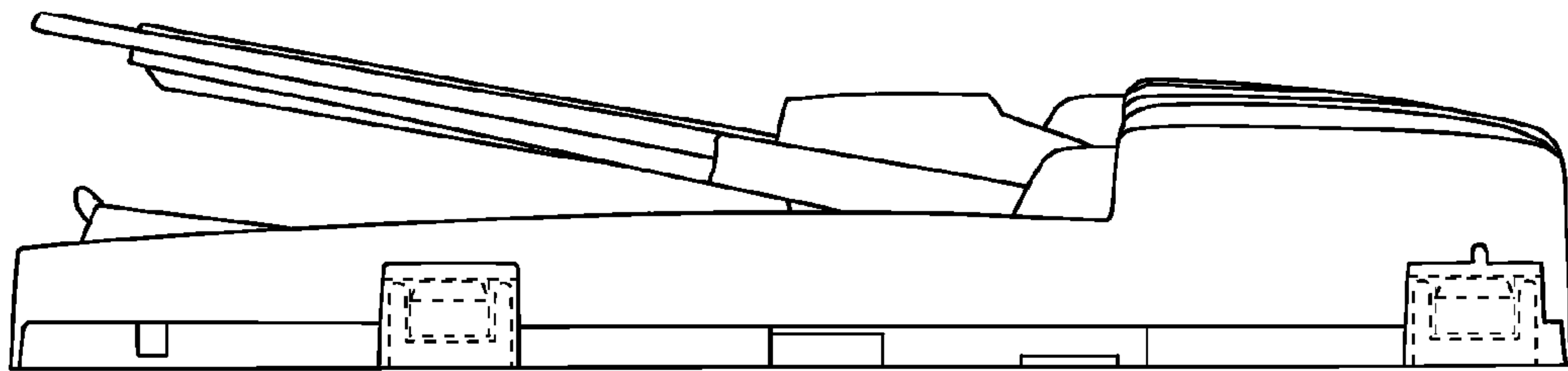


FIG. 5

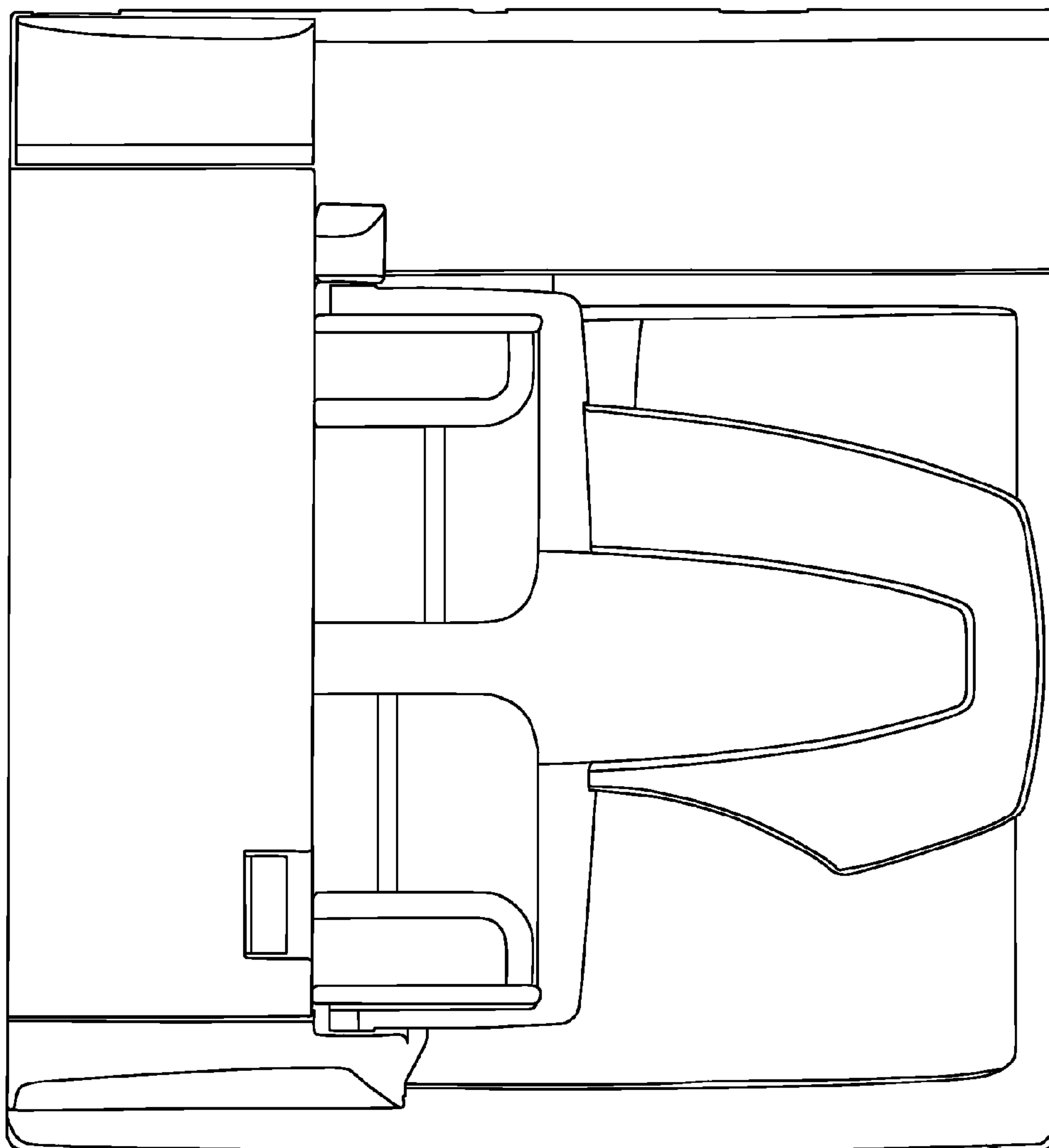


FIG. 6

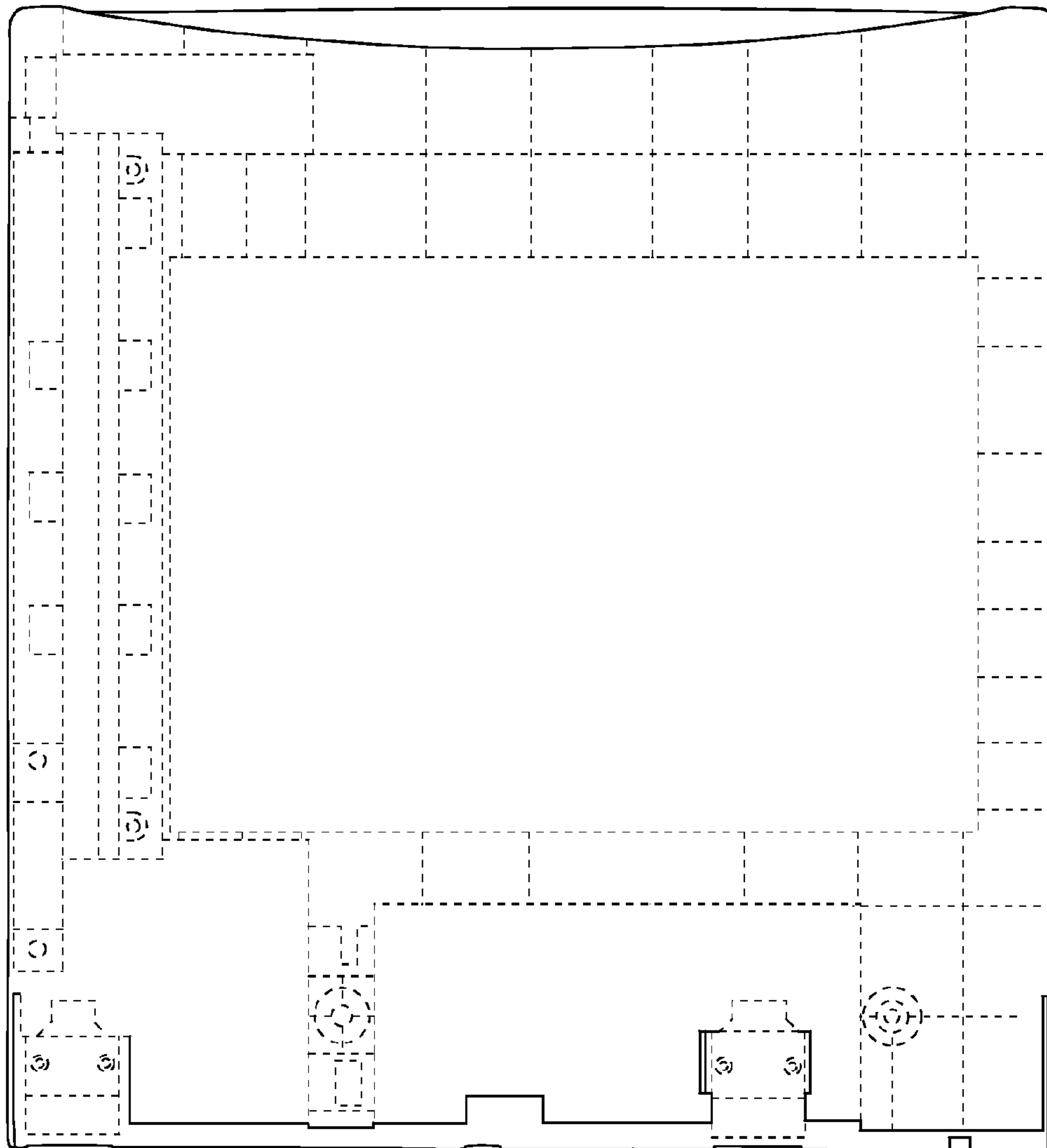


FIG. 7