



US00D576197S

(12) **United States Design Patent**
Takagi

(10) **Patent No.:** **US D576,197 S**

(45) **Date of Patent:** **** Sep. 2, 2008**

(54) **COMBINED VIDEO CAMERA AND VIDEO TAPE RECORDER**

D540,840 S * 4/2007 Nishiwaki D16/219
D552,652 S * 10/2007 Masano et al. D16/219
D552,655 S * 10/2007 Nishiwaki et al. D16/219
D566,150 S * 4/2008 Sadatsuki D16/202

(75) Inventor: **Noriaki Takagi**, Tokyo (JP)

FOREIGN PATENT DOCUMENTS

(73) Assignee: **Sony Corporation**, Tokyo (JP)

JP D1286823 S 11/2006

(**) Term: **14 Years**

* cited by examiner

(21) Appl. No.: **29/274,962**

Primary Examiner—Adir Aronovich

(22) Filed: **Jun. 12, 2007**

(74) *Attorney, Agent, or Firm*—Radar, Fishman & Grauer, PLLC

(30) **Foreign Application Priority Data**

(57) **CLAIM**

Dec. 26, 2006 (JP) D2006-035751

The ornamental design for a combined video camera and video tape recorder, as shown and described.

(51) **LOC (8) Cl.** **16-05**

(52) **U.S. Cl.** **D16/219; D16/202**

(58) **Field of Classification Search** D16/200–206,
D16/208, 218, 219; 348/373–376; 358/906;
396/535–541

DESCRIPTION

See application file for complete search history.

FIG. 1 is a perspective view of a combined video camera and video tape recorder showing my new design;
FIG. 2 is a front elevational view thereof;
FIG. 3 is a rear elevational view thereof;
FIG. 4 is a right side elevational view thereof;
FIG. 5 is a top plan view thereof; and,
FIG. 6 is a bottom plan view thereof.

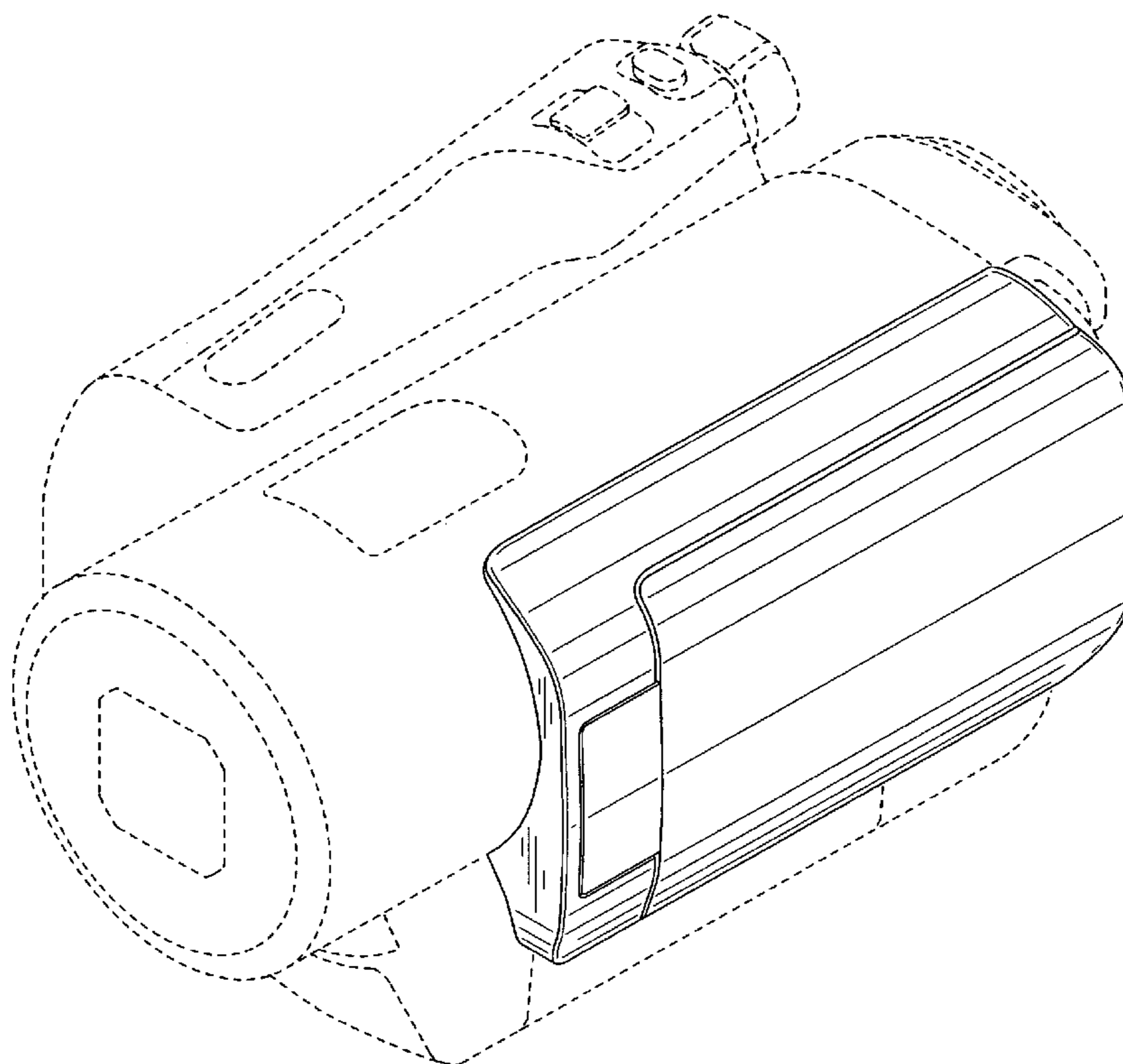
(56) **References Cited**

U.S. PATENT DOCUMENTS

D404,051 S 1/1999 Ishii
D410,662 S 6/1999 Harata
D435,574 S 12/2000 Miyashita
D450,741 S * 11/2001 Oka D16/219
D501,216 S 1/2005 Shimizu
D505,686 S * 5/2005 Ikenaga D16/219
D511,350 S * 11/2005 Sumita D16/202

Portions of FIGS. 1–6 that are shown as broken lines are for illustrative purpose only and form no part of the claimed design.

1 Claim, 6 Drawing Sheets



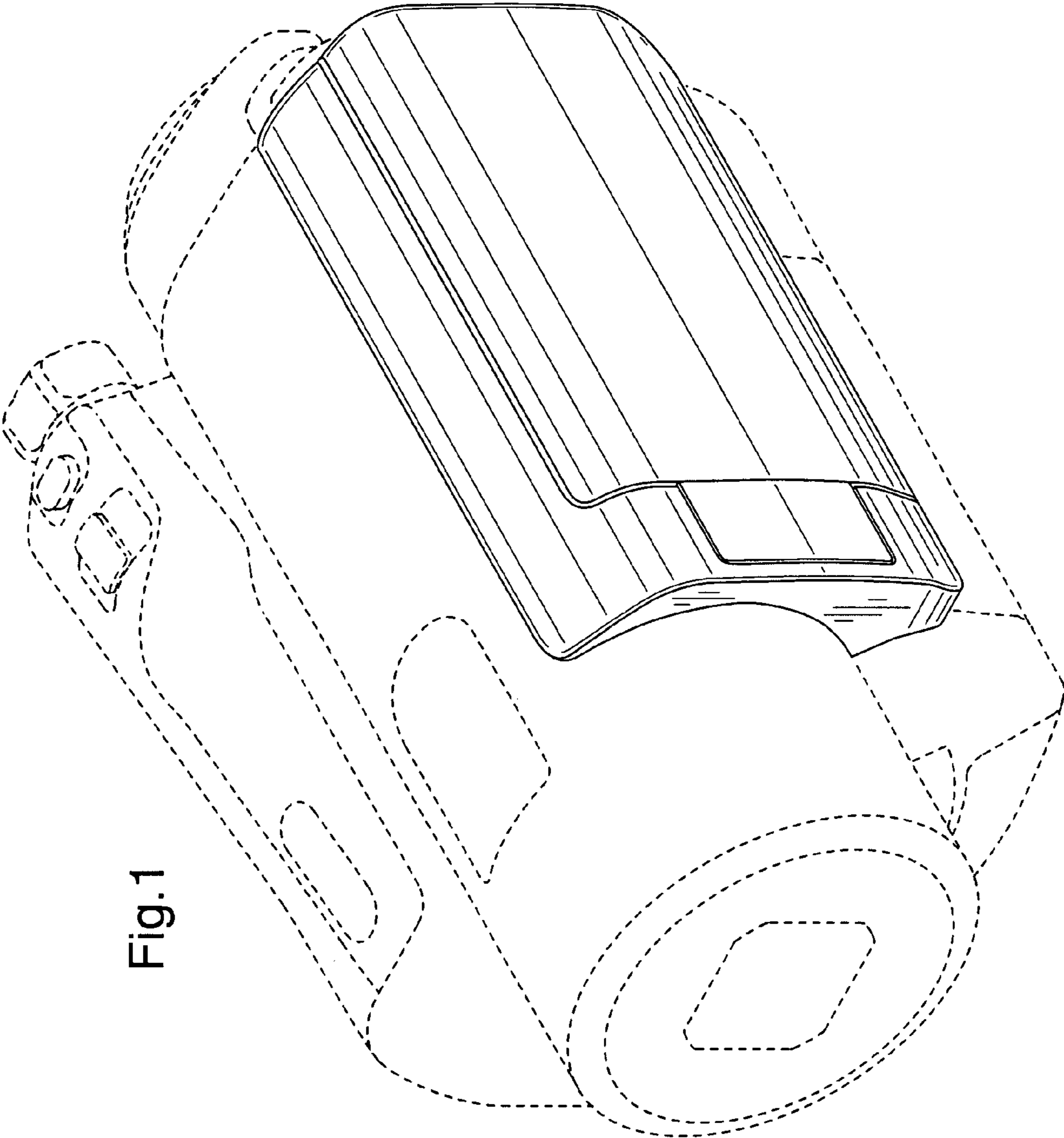


Fig.1

Fig.2

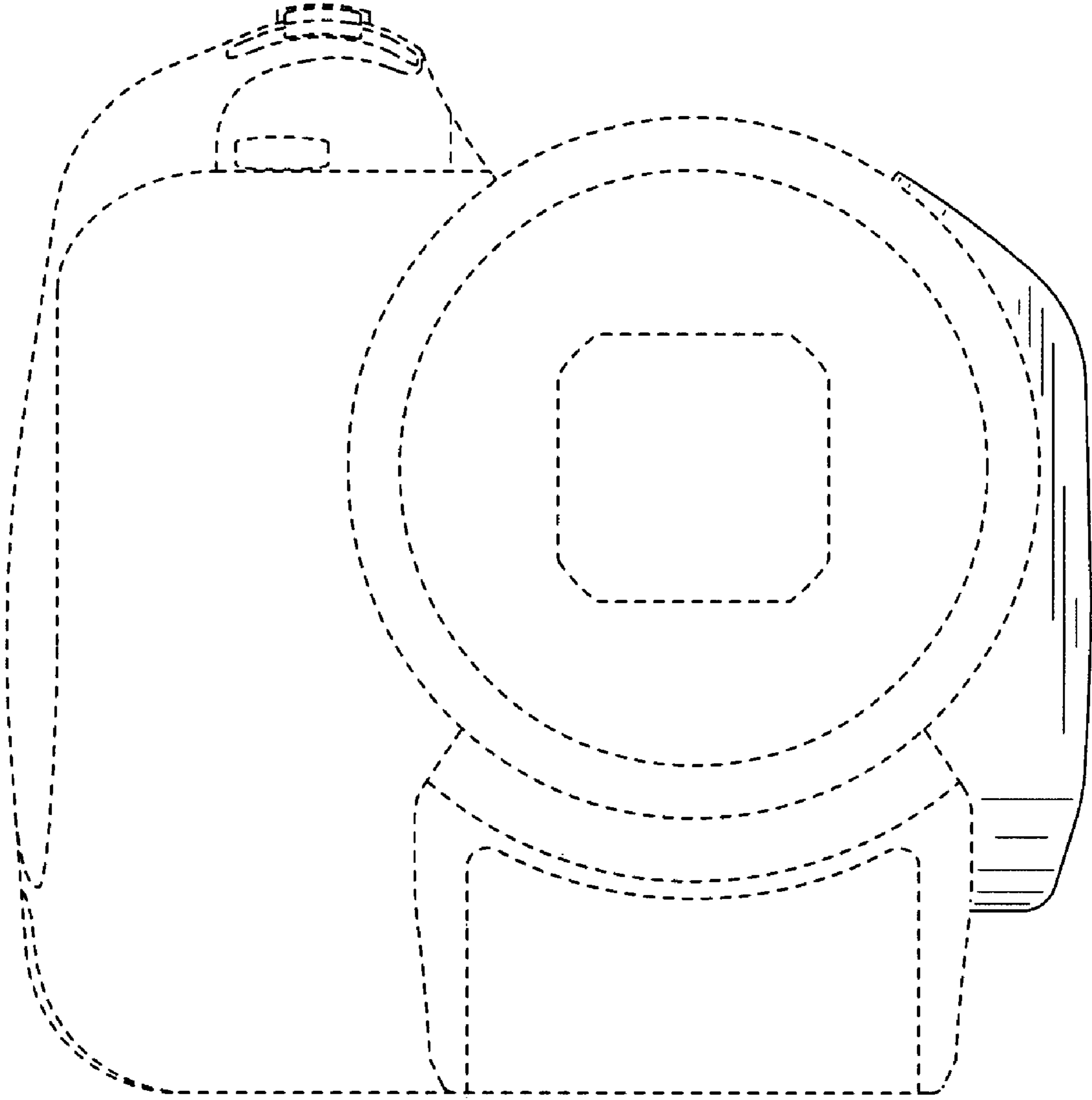


Fig.3

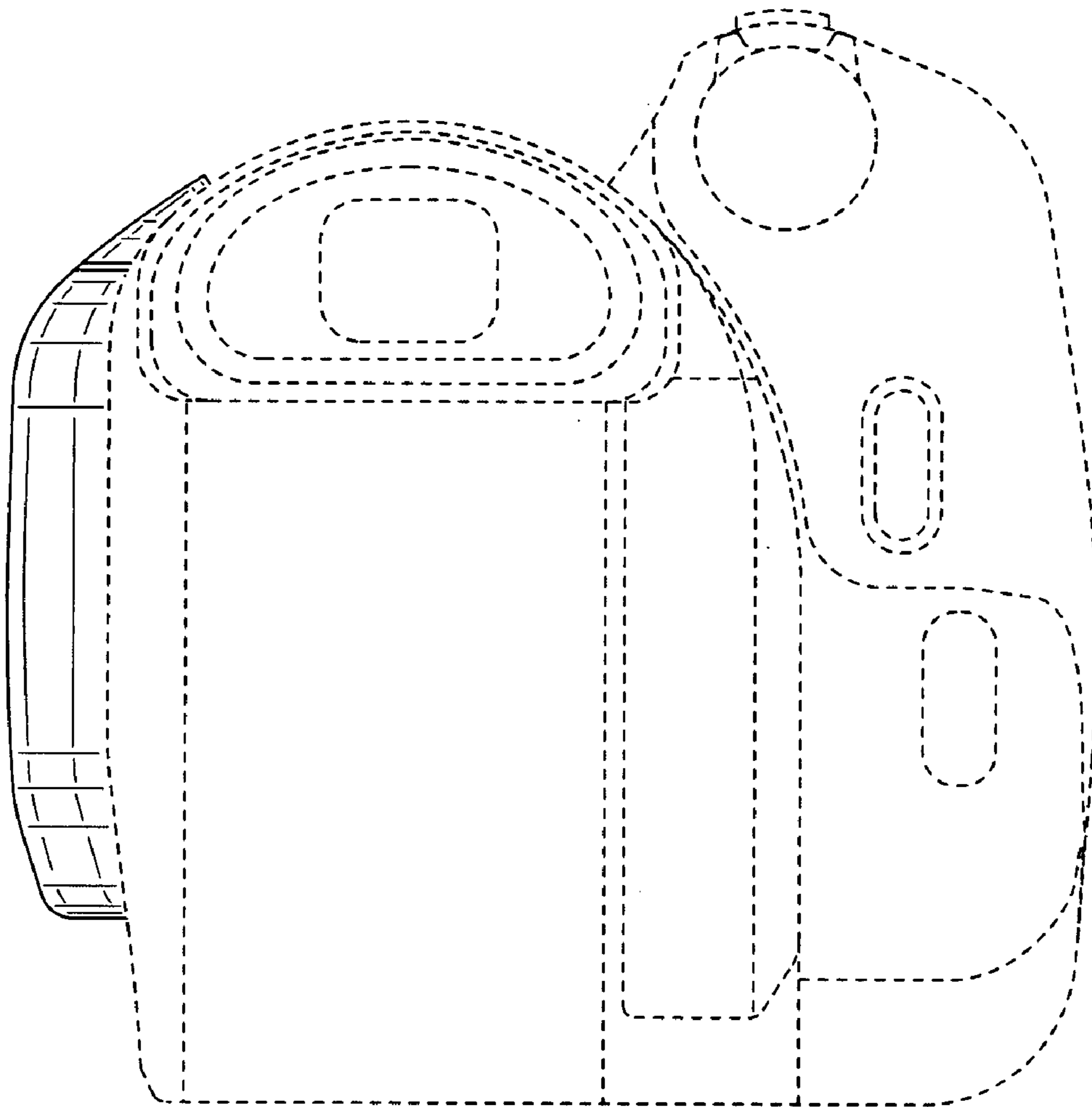


Fig.4

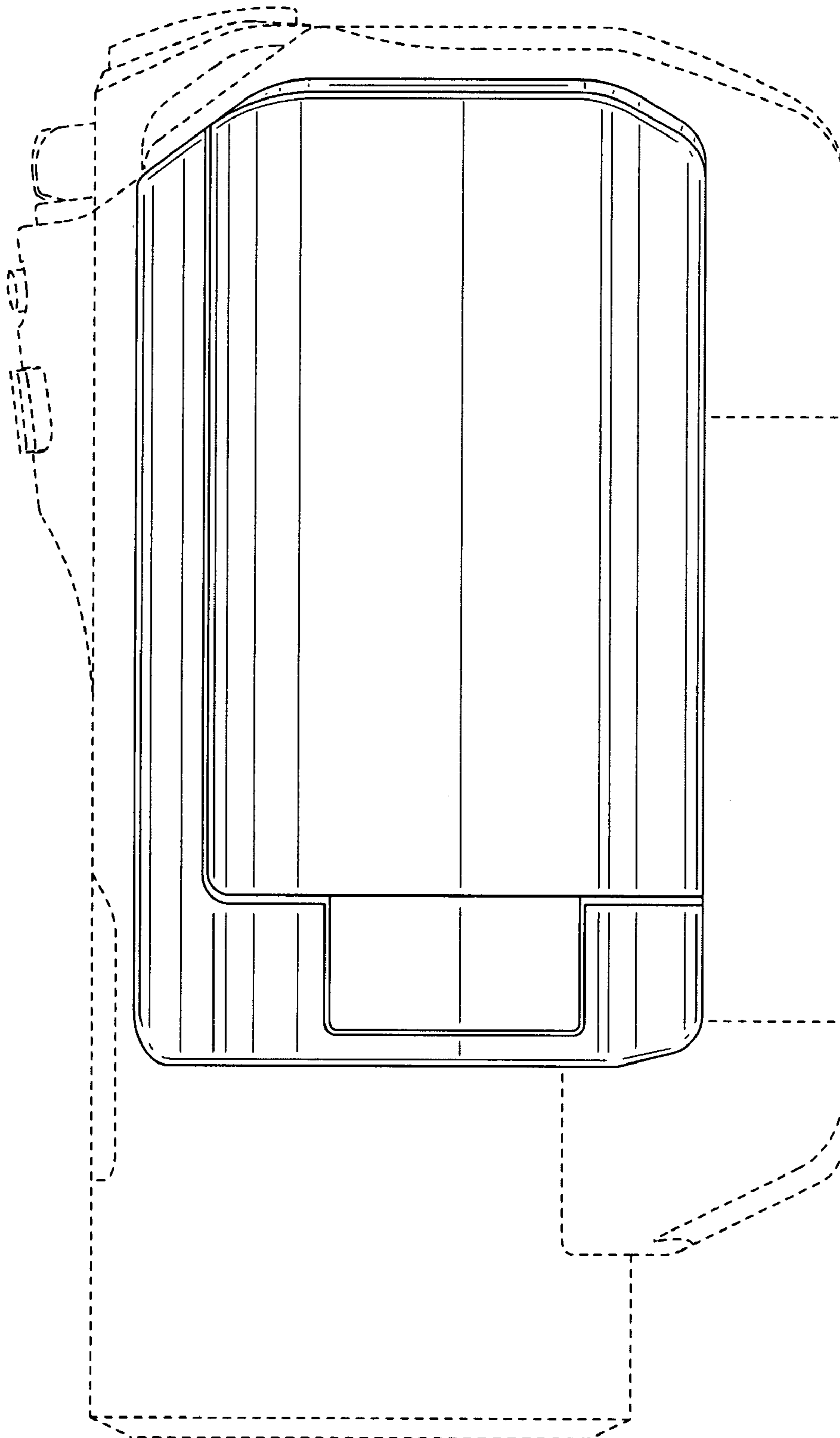


Fig.5

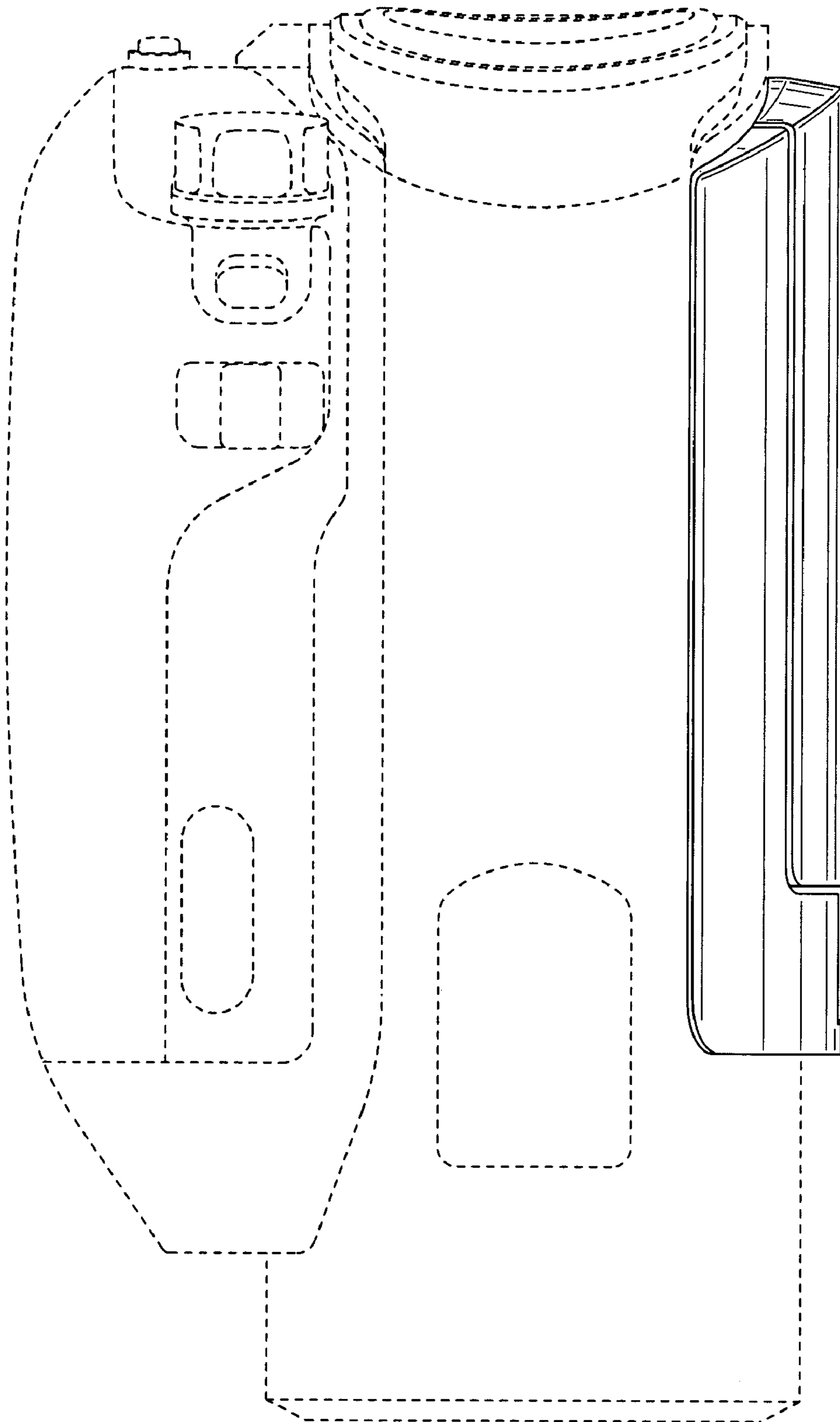


Fig.6

