



US00D576196S

(12) **United States Design Patent**
Grotto

(10) **Patent No.:** **US D576,196 S**

(45) **Date of Patent:** **** Sep. 2, 2008**

(54) **HOUSING FOR VIDEOCAMERA**

(75) Inventor: **Alessio Grotto**, Schio (IT)

(73) Assignee: **Videotec S.p.A.**, Vicenza (IT)

(**) Term: **14 Years**

(21) Appl. No.: **29/291,547**

(22) Filed: **Sep. 5, 2007**

(51) **LOC (8) Cl.** **16-01**

(52) **U.S. Cl.** **D16/203**

(58) **Field of Classification Search** D16/200–205,
D16/208, 218; 348/143, 151, 373–376; 396/427,
396/535, 536–541

See application file for complete search history.

(56) **References Cited**

U.S. PATENT DOCUMENTS

D233,170 S *	10/1974	Walter	D16/203
D248,305 S *	6/1978	Scott	D16/203
D399,517 S *	10/1998	Hasegawa	D16/203
D415,509 S *	10/1999	Hiraguchi	D16/203

6,322,258 B1 *	11/2001	Ryan et al.	396/427
6,525,766 B1 *	2/2003	Ikoma et al.	348/151
D503,183 S *	3/2005	Arbuckle et al.	D16/203
D562,869 S *	2/2008	Asai	D16/203

* cited by examiner

Primary Examiner—Adir Aronovich

(74) *Attorney, Agent, or Firm*—Bucknam and Archer

(57) **CLAIM**

The ornamental design for a housing for videocamera, as shown and described.

DESCRIPTION

FIG. 1 is a rear elevational view of my design for a housing for videocamera;

FIG. 2 is a front elevational view thereof;

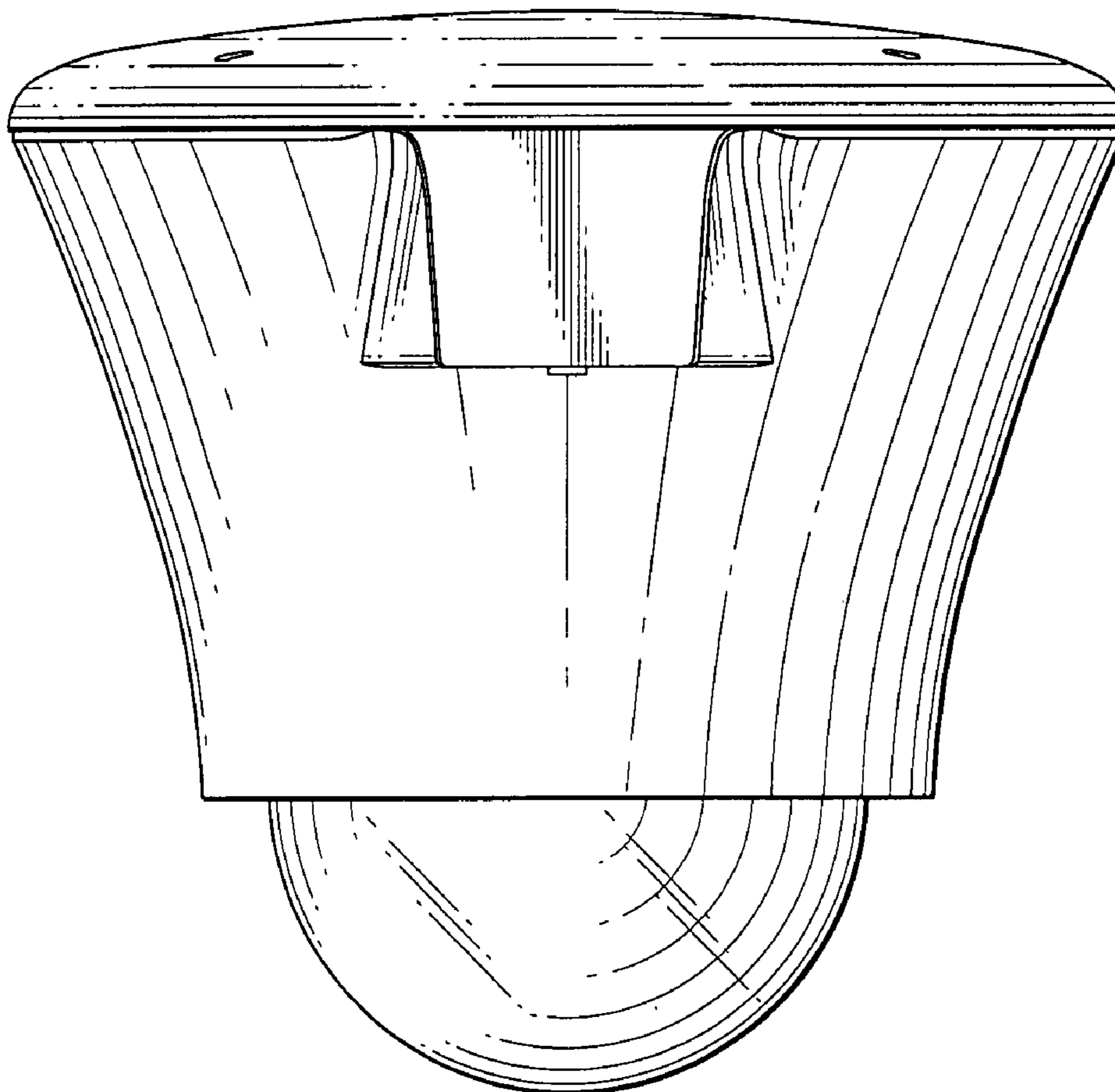
FIG. 3 is a right side elevational view thereof;

FIG. 4 is a top plan view thereof;

FIG. 5 is a bottom plan view thereof; and,

FIG. 6 is a left side elevational view thereof.

1 Claim, 6 Drawing Sheets



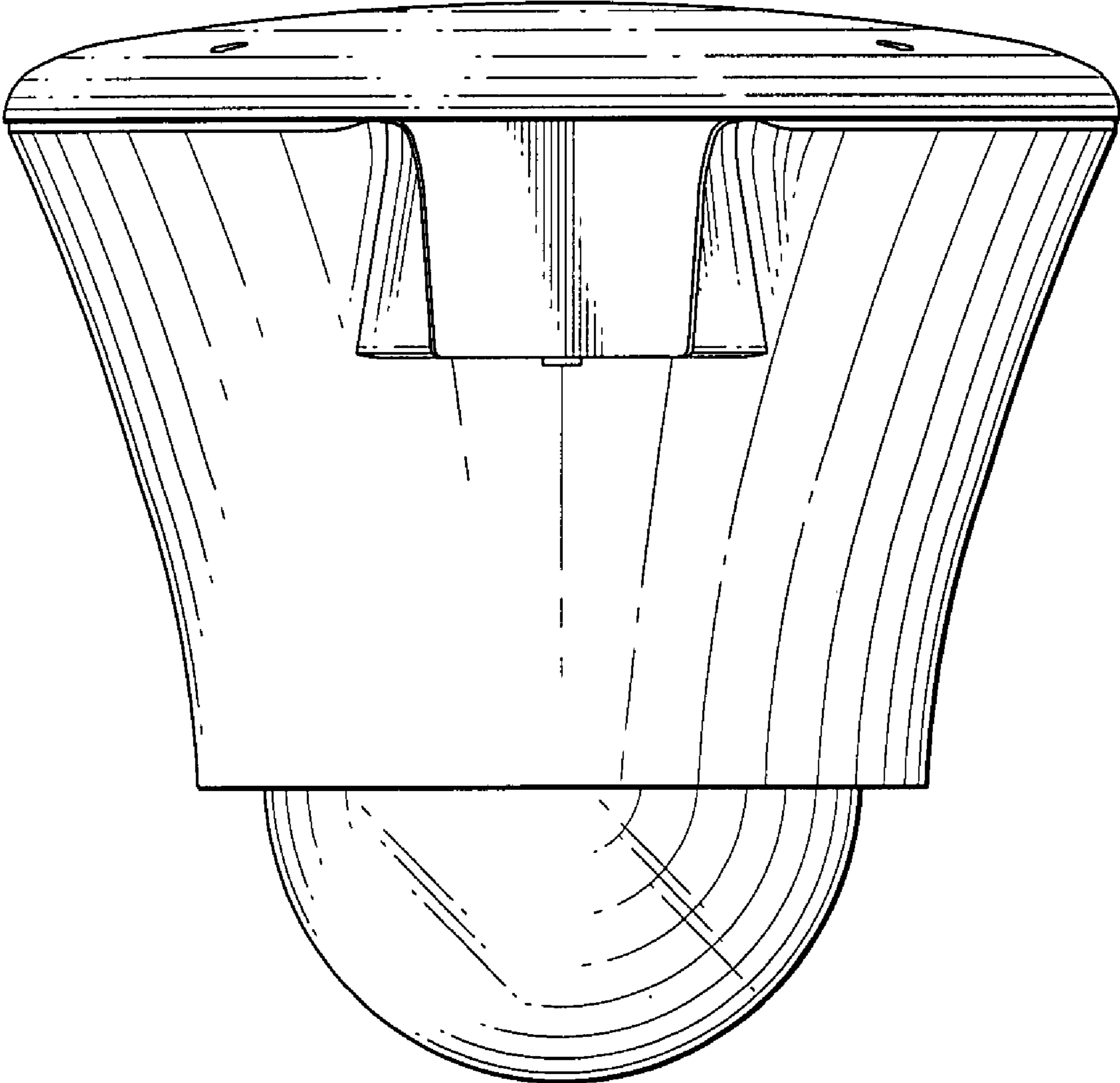


FIG. 1

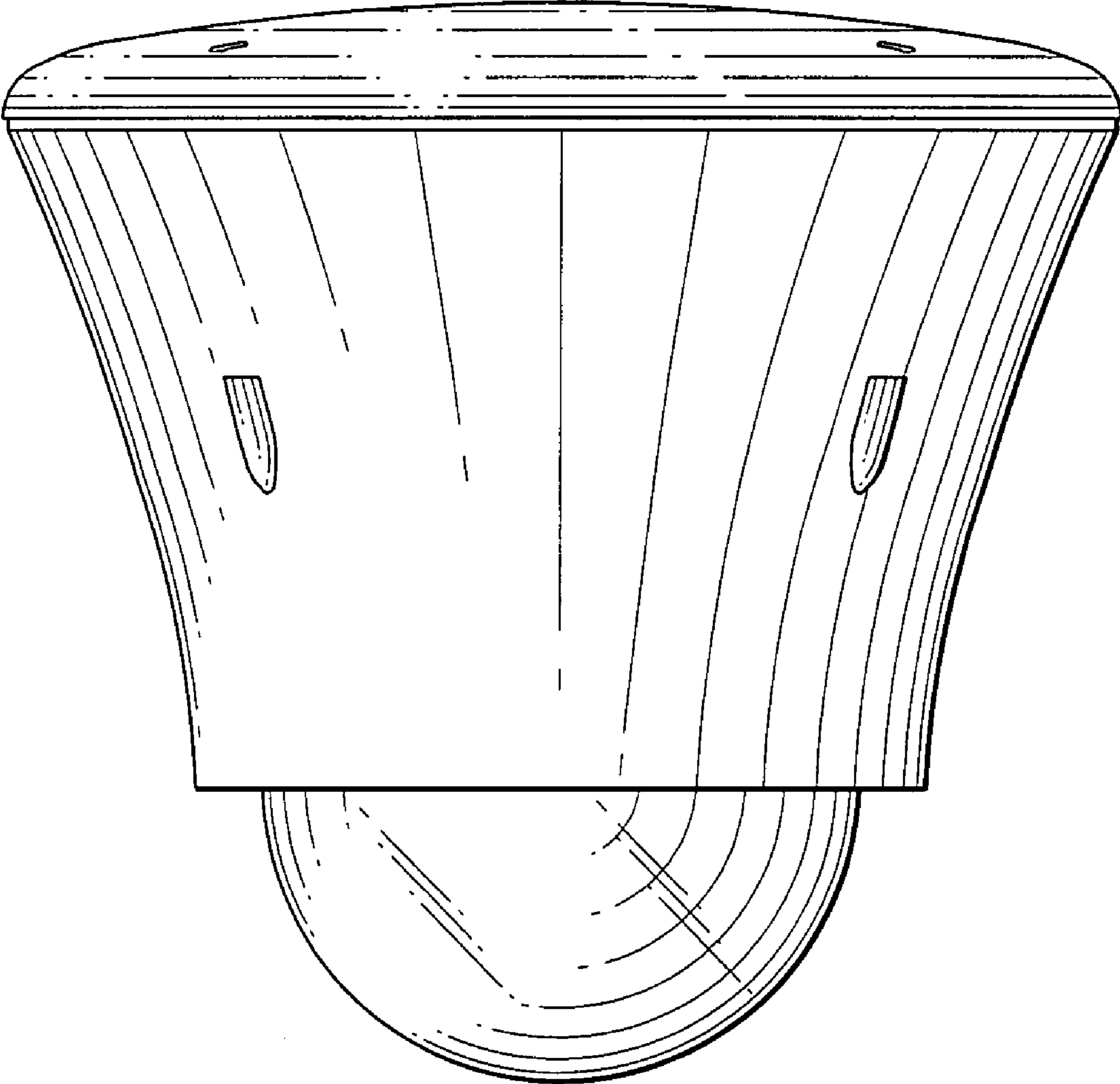


FIG. 2

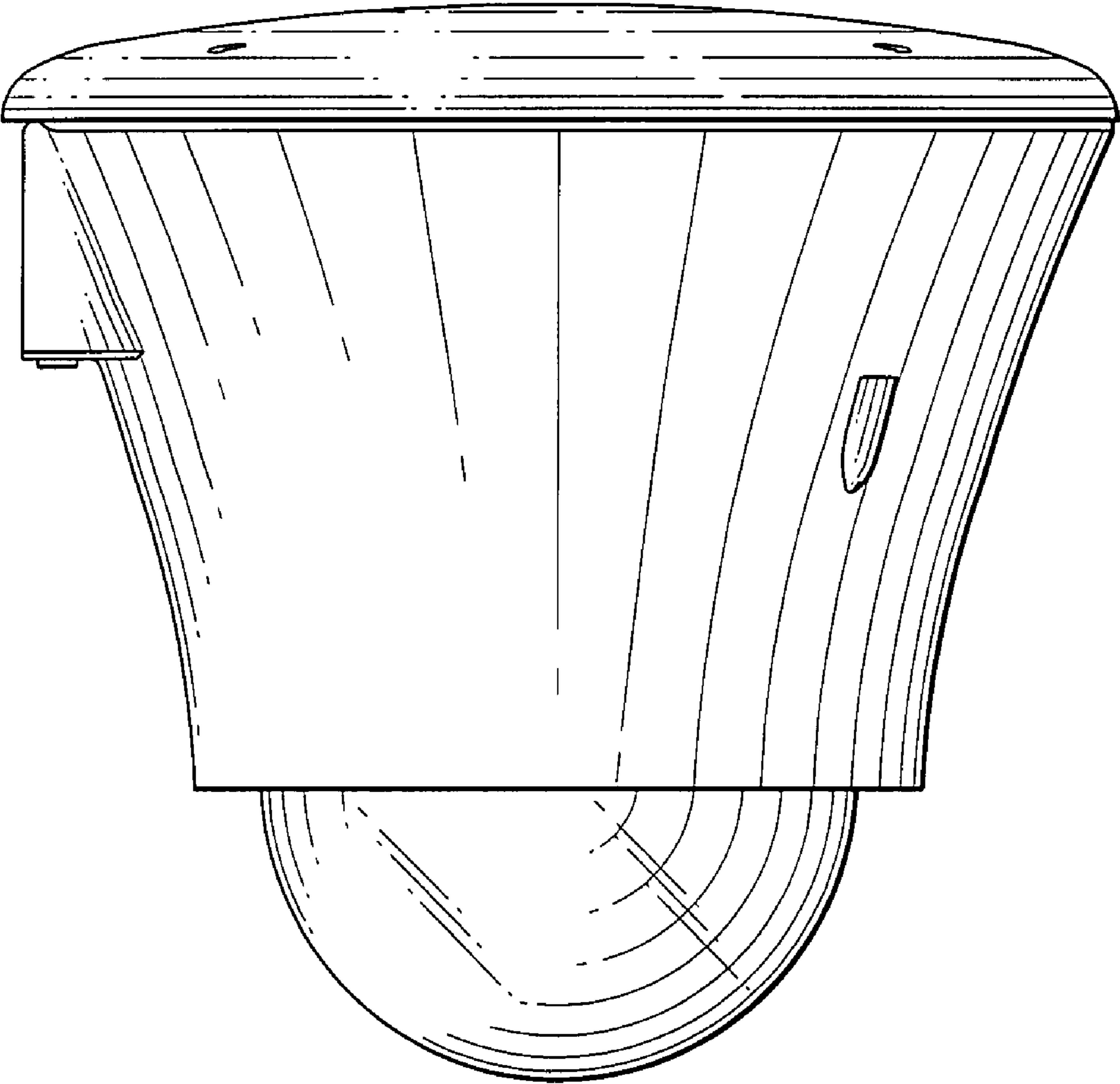


FIG. 3

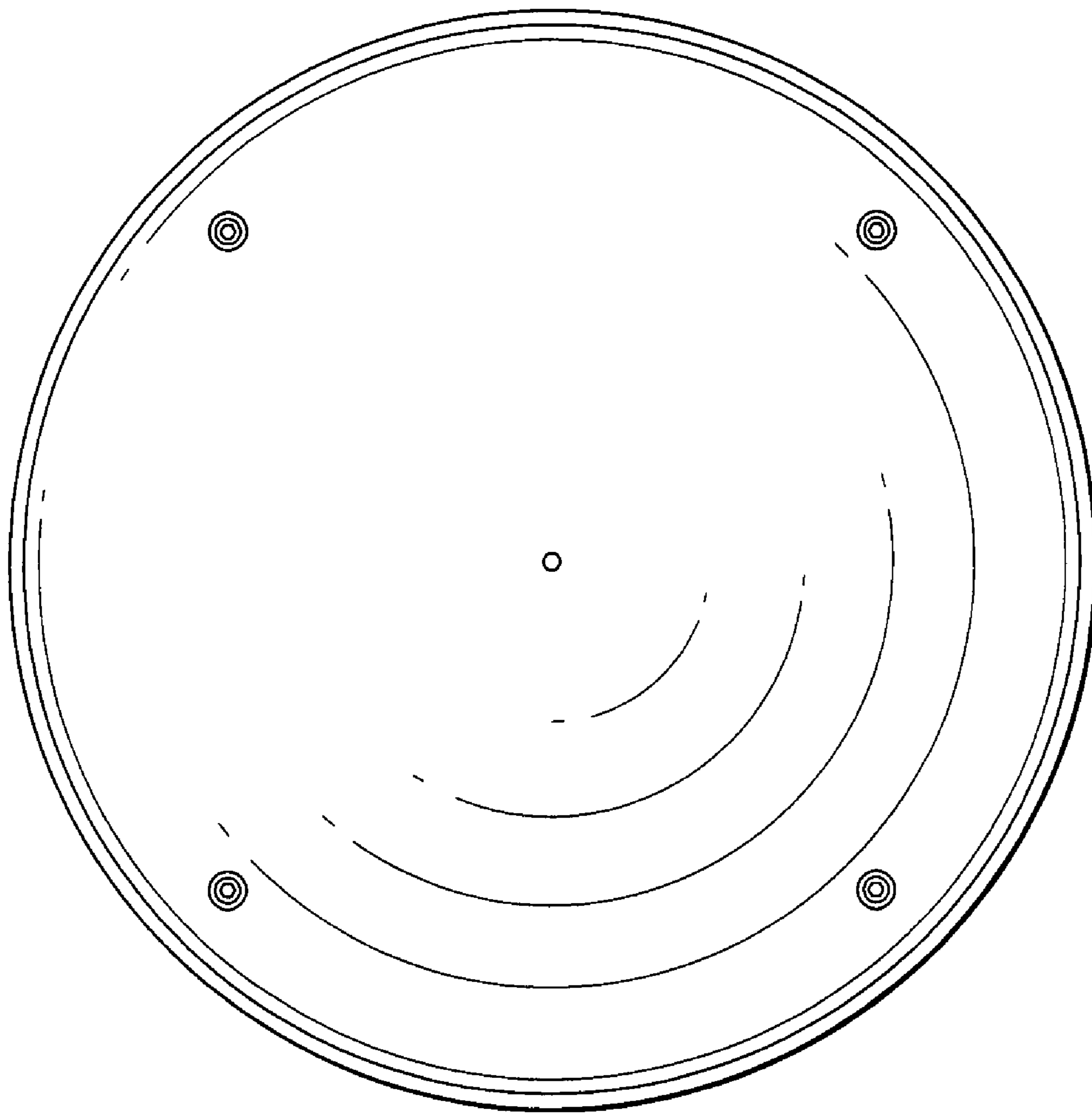


FIG.4

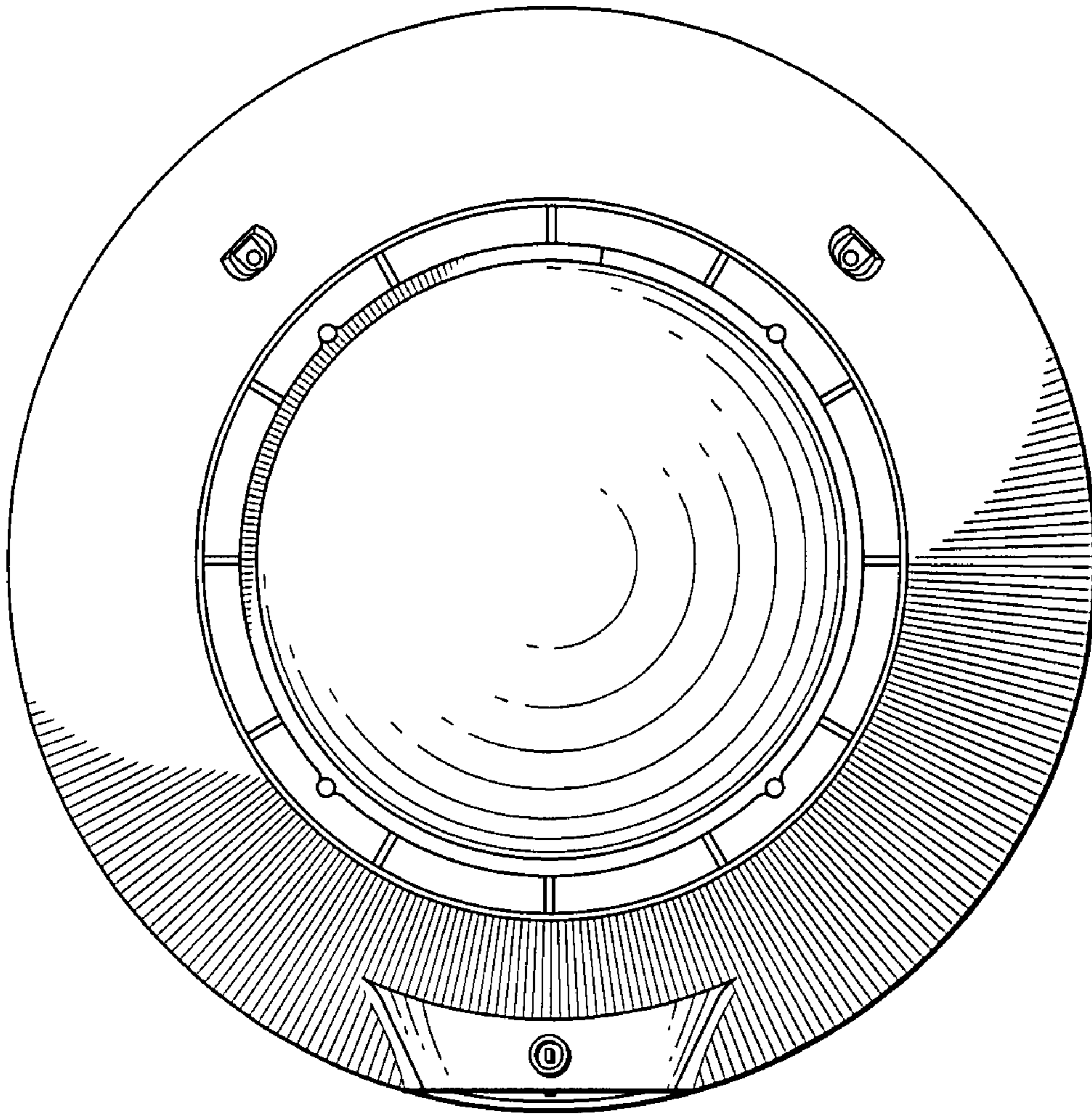


FIG. 5

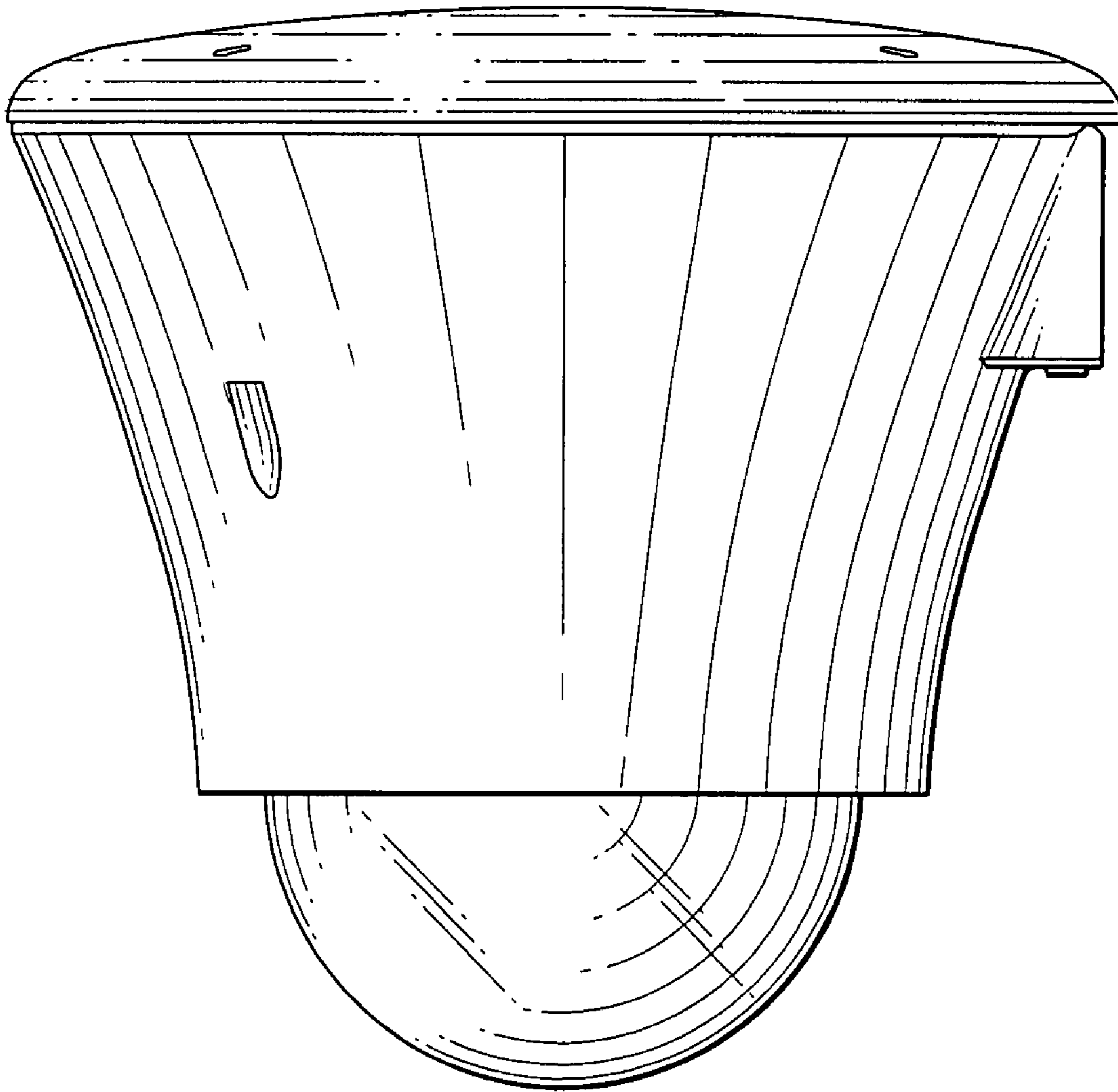


FIG.6