



US00D576194S

(12) **United States Design Patent**  
**Yoshida et al.**

(10) **Patent No.:** **US D576,194 S**  
(45) **Date of Patent:** **\*\* Sep. 2, 2008**

(54) **SURVEILLANCE TELEVISION CAMERA**

(75) Inventors: **Takeshi Yoshida**, Nagoya (JP); **Tetsuro Kato**, Nagoya (JP)

(73) Assignee: **Elmo Co., Ltd.**, Aichi (JP)

(\*\*) Term: **14 Years**

(21) Appl. No.: **29/289,717**

(22) Filed: **Jul. 30, 2007**

(30) **Foreign Application Priority Data**

Feb. 8, 2007 (JP) ..... 2007-002909

(51) **LOC (8) Cl.** ..... **16-01**

(52) **U.S. Cl.** ..... **D16/203**

(58) **Field of Classification Search** ..... D16/200–205,  
D16/208, 218; 348/143, 151, 373–376; 396/427,  
396/535–541

See application file for complete search history.

(56) **References Cited**

**U.S. PATENT DOCUMENTS**

D303,674 S \* 9/1989 Shimizu et al. .... D16/202  
D339,598 S \* 9/1993 Shimizu ..... D16/203  
5,790,910 A \* 8/1998 Haskin ..... 396/427  
D476,671 S \* 7/2003 van Schaik et al. .... D16/203

6,830,387 B2 \* 12/2004 Rife ..... 396/427  
D532,806 S \* 11/2006 Cheng ..... D16/203  
D540,361 S \* 4/2007 Yamakawa ..... D16/203  
D556,805 S \* 12/2007 Kuroda ..... D16/203

\* cited by examiner

*Primary Examiner*—Adir Aronovich

(74) *Attorney, Agent, or Firm*—William L. Androlia; H. Henry Koda

(57) **CLAIM**

The ornamental design for a surveillance television camera, as shown and described.

**DESCRIPTION**

FIG. 1 is a front elevational view of the surveillance television camera showing our new design;

FIG. 2 is a rear elevational view thereof;

FIG. 3 is a right side elevational view thereof;

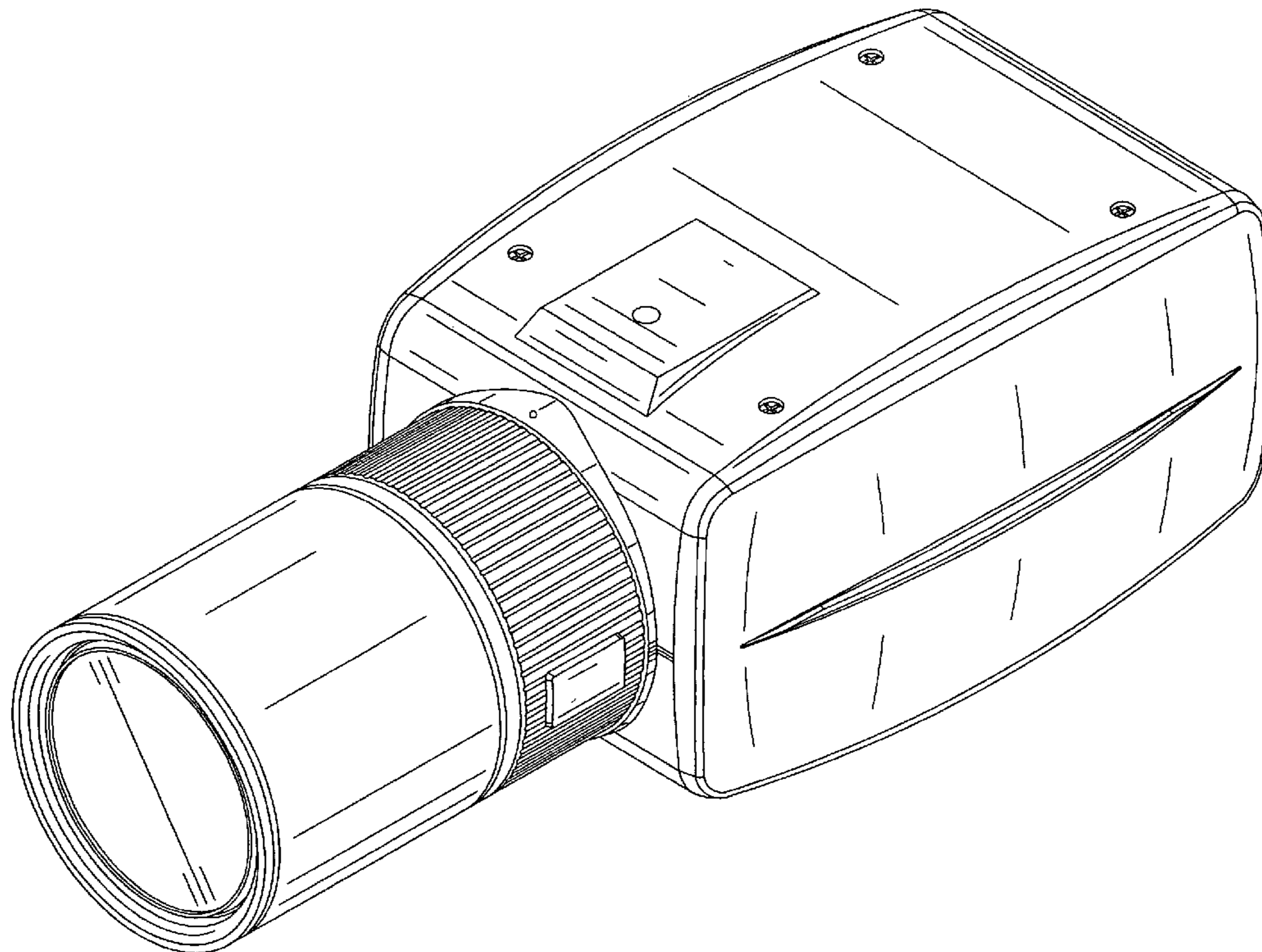
FIG. 4 is a left side elevational view thereof;

FIG. 5 is a top plan view thereof;

FIG. 6 is a bottom plan view thereof; and,

FIG. 7 is a perspective view taken from the front, top and left side of the surveillance television camera.

**1 Claim, 7 Drawing Sheets**



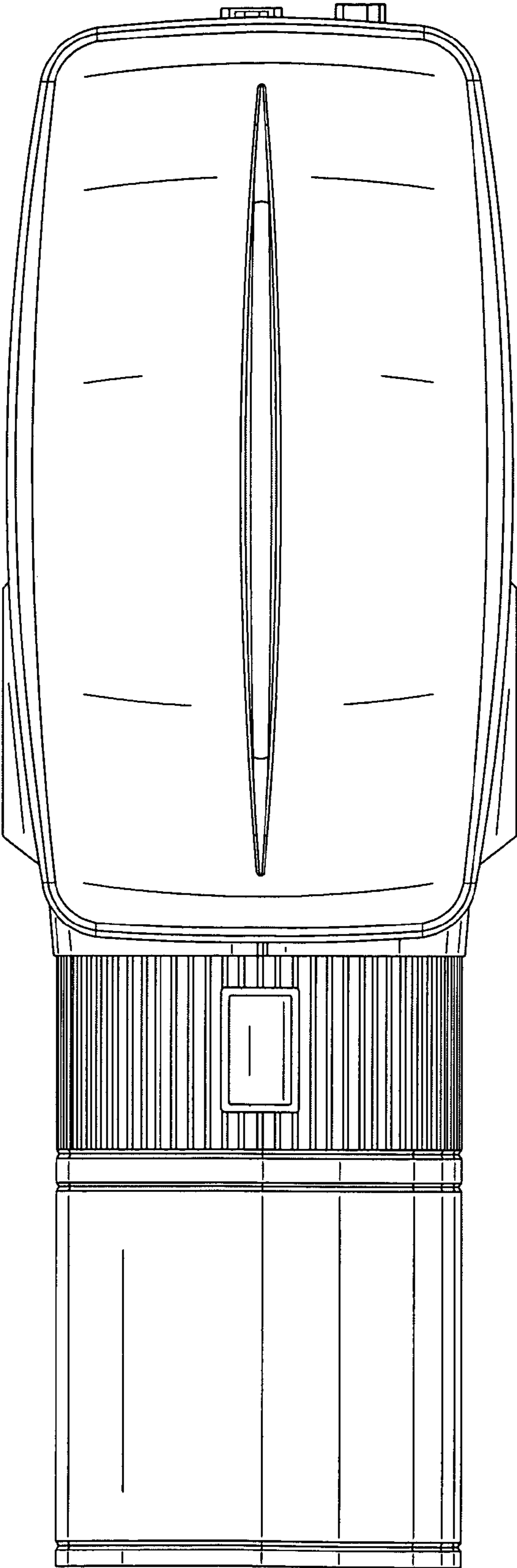


FIG. 1

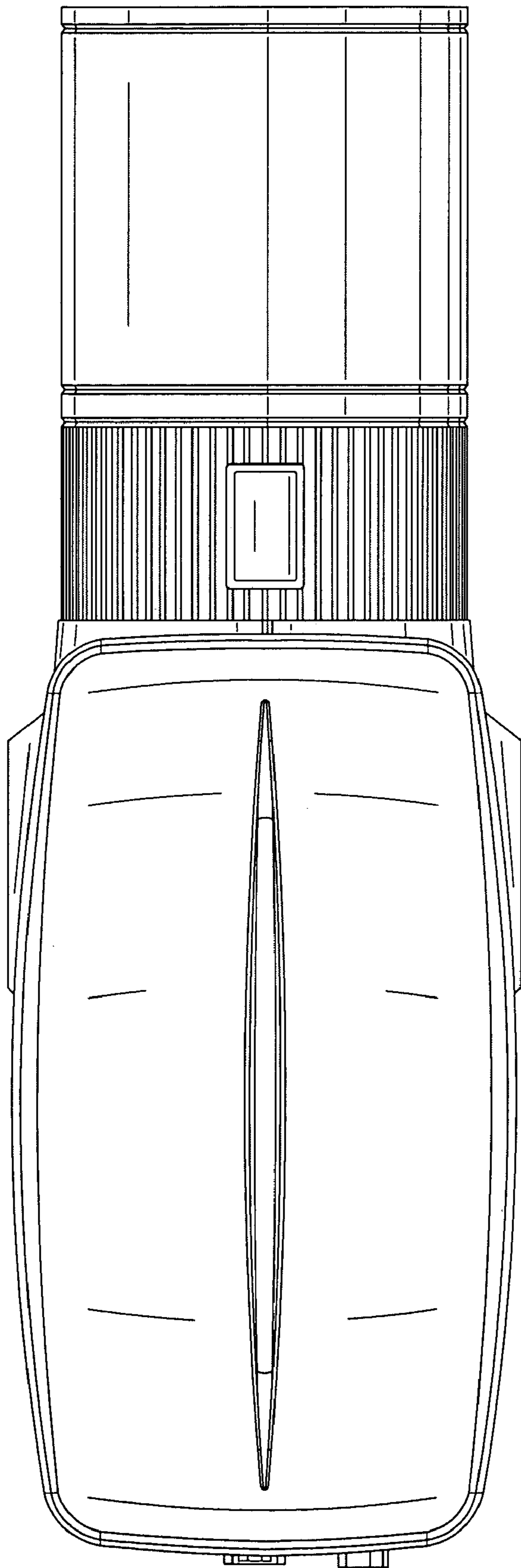
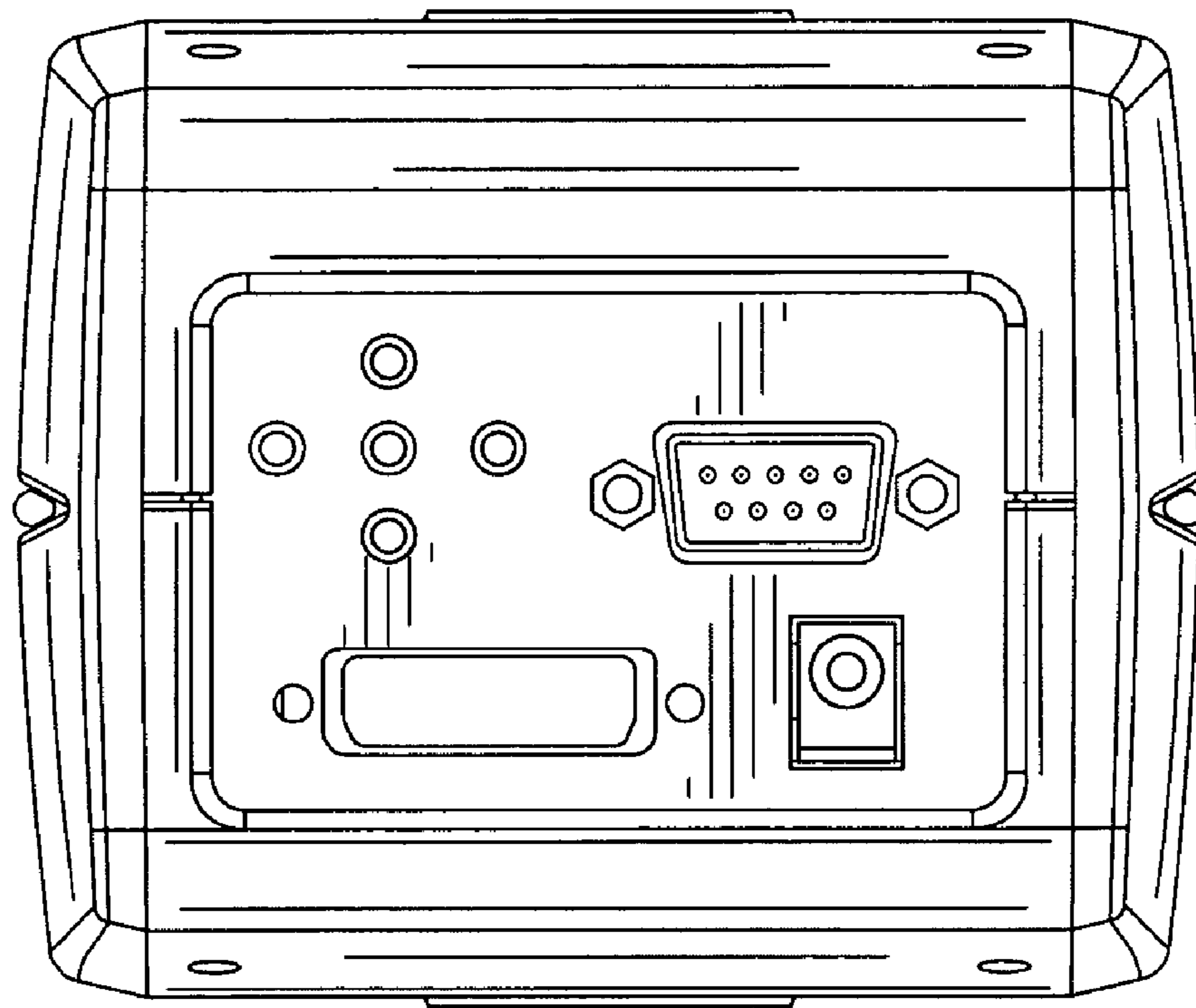
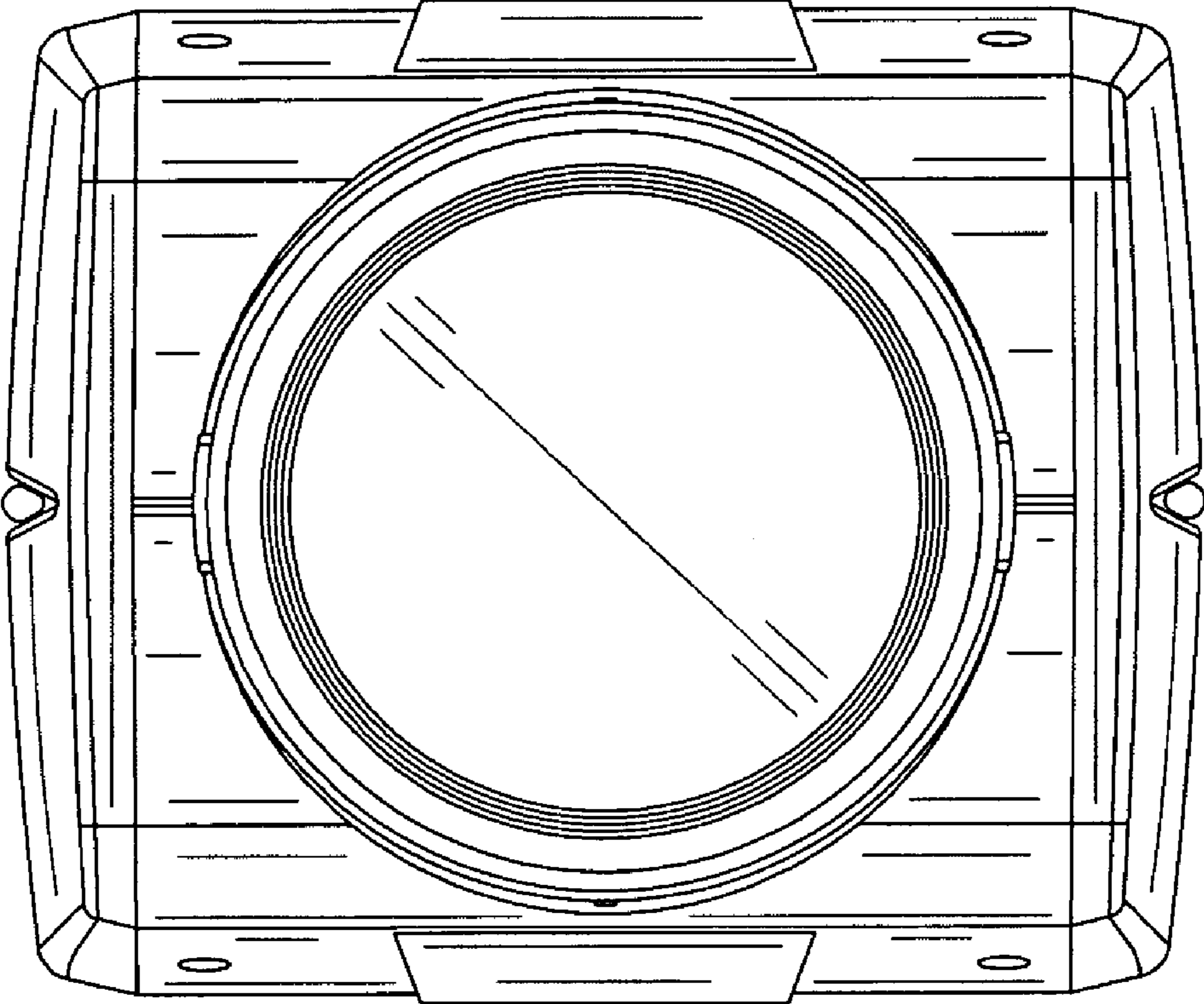


FIG. 2



**FIG. 3**



**FIG. 4**

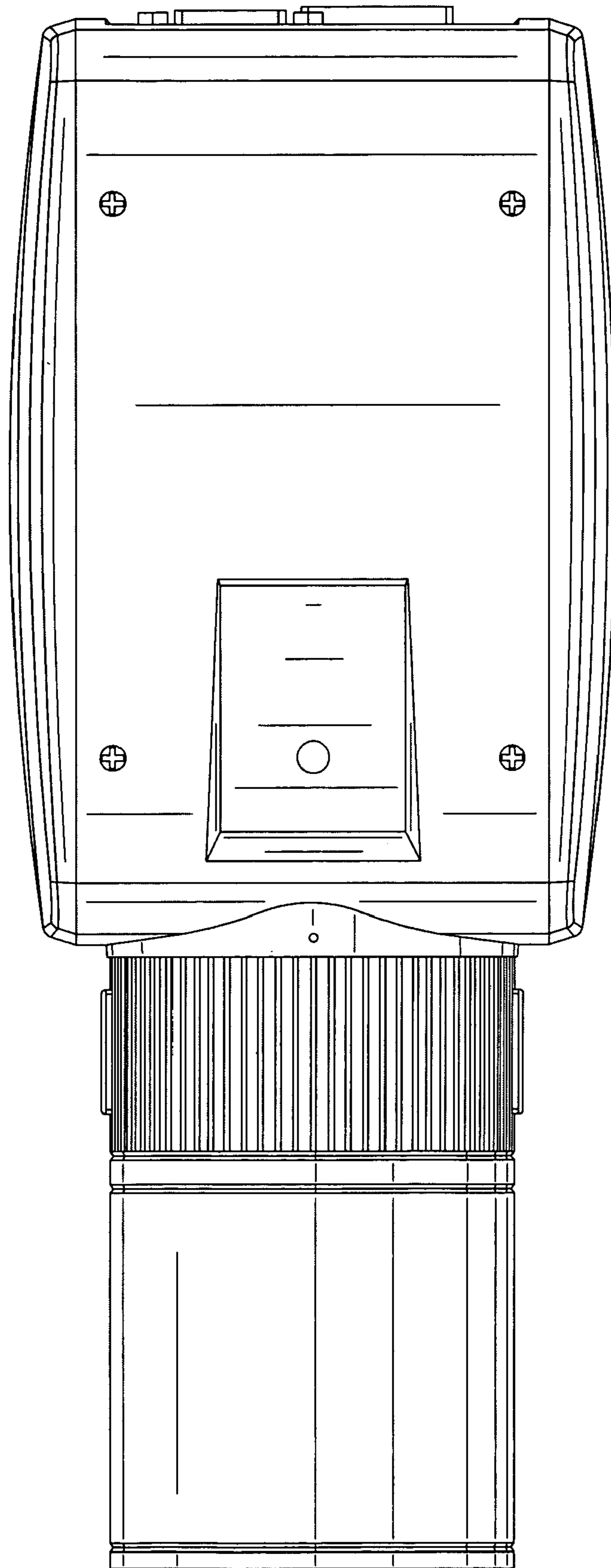


FIG. 5



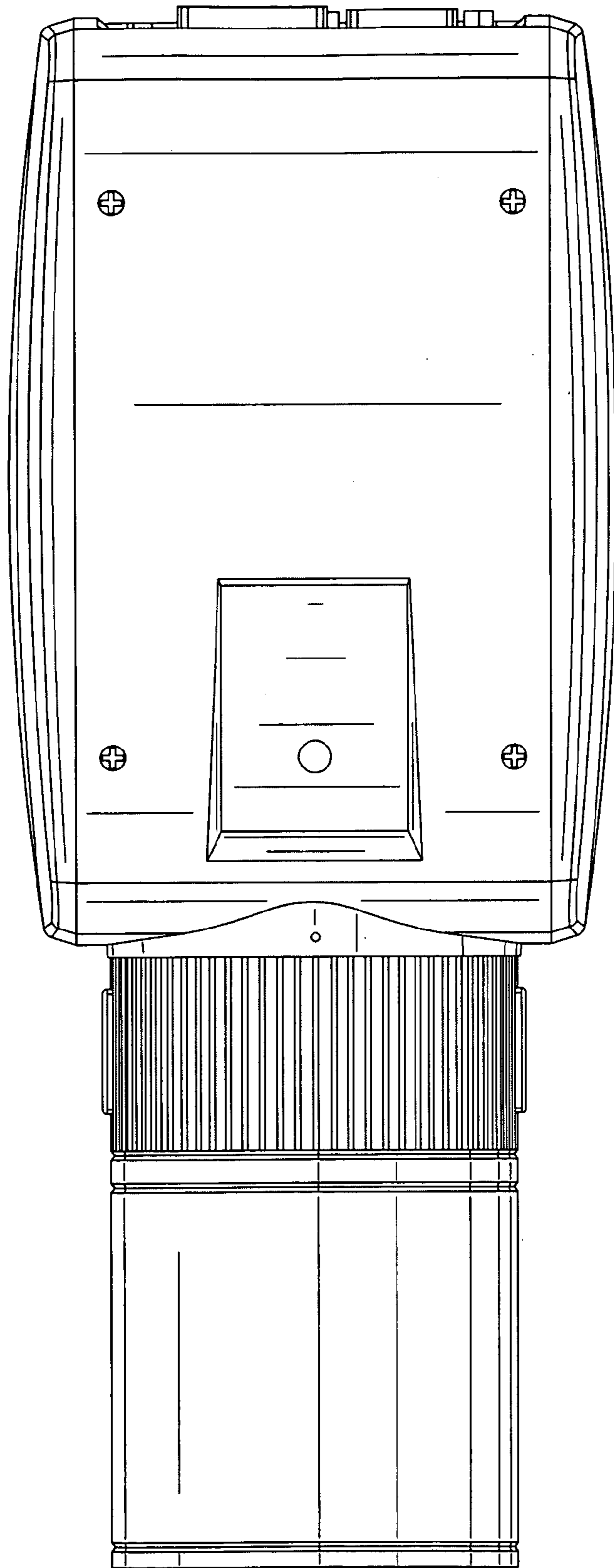


FIG. 6

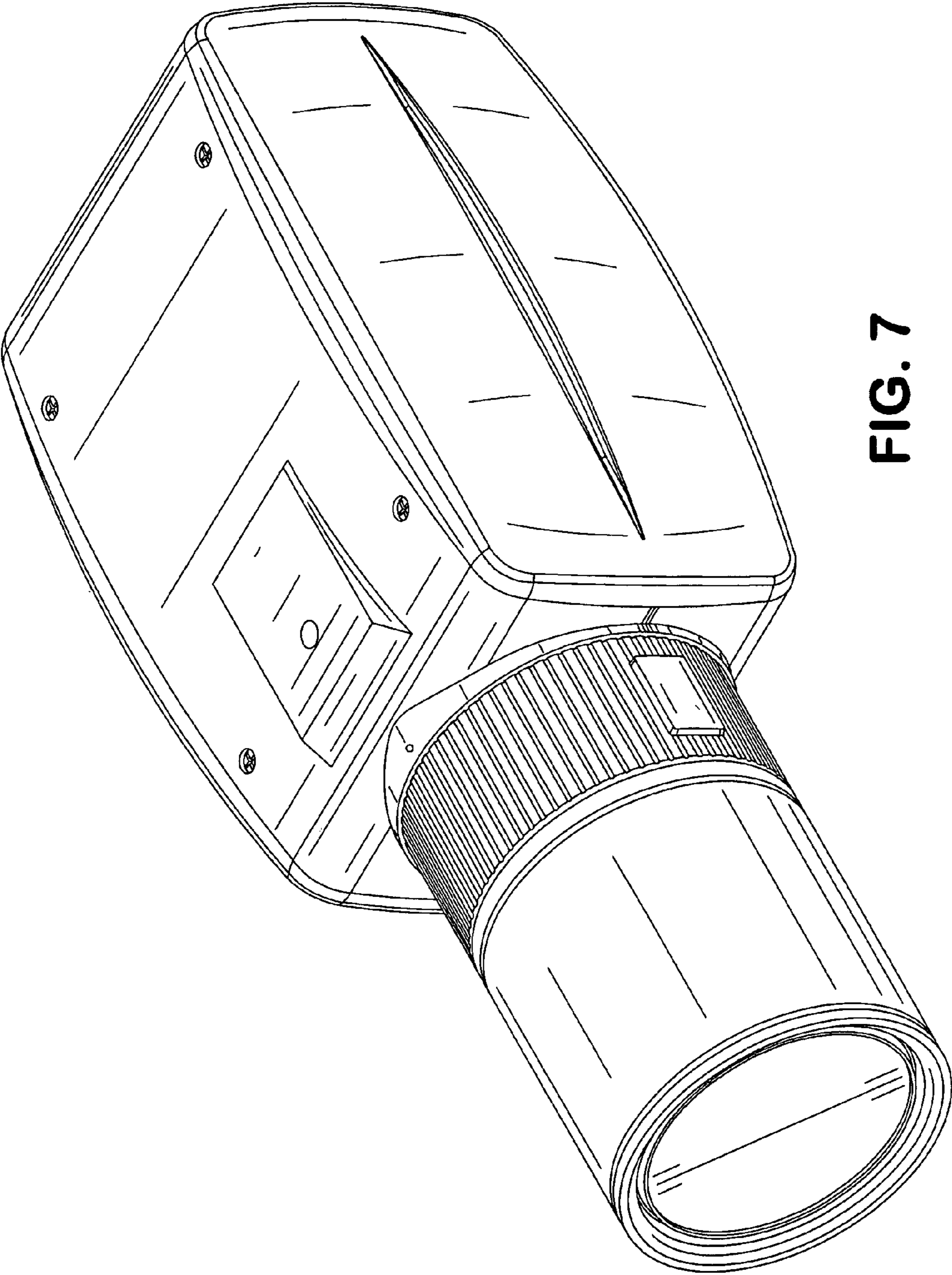


FIG. 7