



US00D576192S

(12) **United States Design Patent**
Isozaki

(10) **Patent No.:** **US D576,192 S**
(45) **Date of Patent:** **** Sep. 2, 2008**

(54) **ELECTRONIC CAMERA**
(75) Inventor: **Makoto Isozaki**, Tokyo (JP)
(73) Assignee: **FUJIFILM Corporation**, Tokyo (JP)

D436,977 S * 1/2001 Senda D16/218
D438,229 S * 2/2001 Kawai D16/218
D438,882 S * 3/2001 Hoeveler et al. D16/218
D458,620 S * 6/2002 Su et al. D16/202
D502,721 S 3/2005 Horikiri D16/202

(**) Term: **14 Years**

* cited by examiner

(21) Appl. No.: **29/295,647**

Primary Examiner—Adir Aronovich
(74) *Attorney, Agent, or Firm*—Young & Thompson

(22) Filed: **Oct. 3, 2007**

(57) **CLAIM**

(30) **Foreign Application Priority Data**

The ornamental design for an electronic camera, as shown and described.

Apr. 4, 2007 (JP) 2007-008920

(51) **LOC (8) Cl.** **16-01**

(52) **U.S. Cl.** **D16/202; D16/218**

(58) **Field of Classification Search** D16/200–204,
D16/208, 218; 348/373–376; 358/909.1;
396/535–541

See application file for complete search history.

DESCRIPTION

FIG. 1 is a top, front and side perspective view of an electronic camera showing my new design;

FIG. 2 is a front elevational view thereof;

FIG. 3 is a rear elevational view thereof;

FIG. 4 is a top plan view thereof;

FIG. 5 is a bottom plan view thereof;

FIG. 6 is a left side elevational view thereof; and,

FIG. 7 is a right side elevational view thereof.

(56) **References Cited**

U.S. PATENT DOCUMENTS

D294,606 S * 3/1988 Ryland D16/218
D334,840 S * 4/1993 Lin D16/218
5,255,032 A * 10/1993 Michaud 396/535
D409,642 S * 5/1999 Chin D16/218

1 Claim, 4 Drawing Sheets

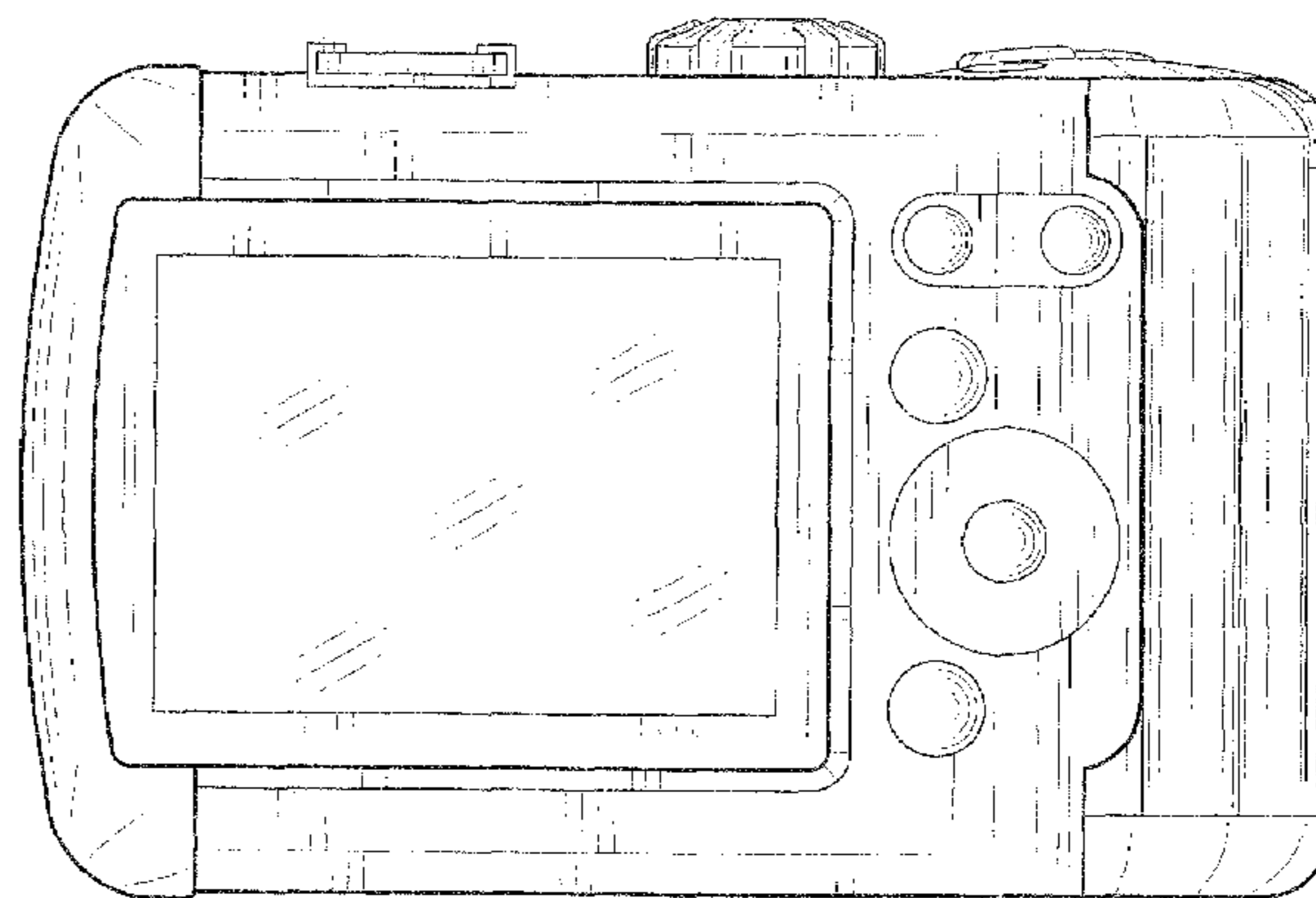
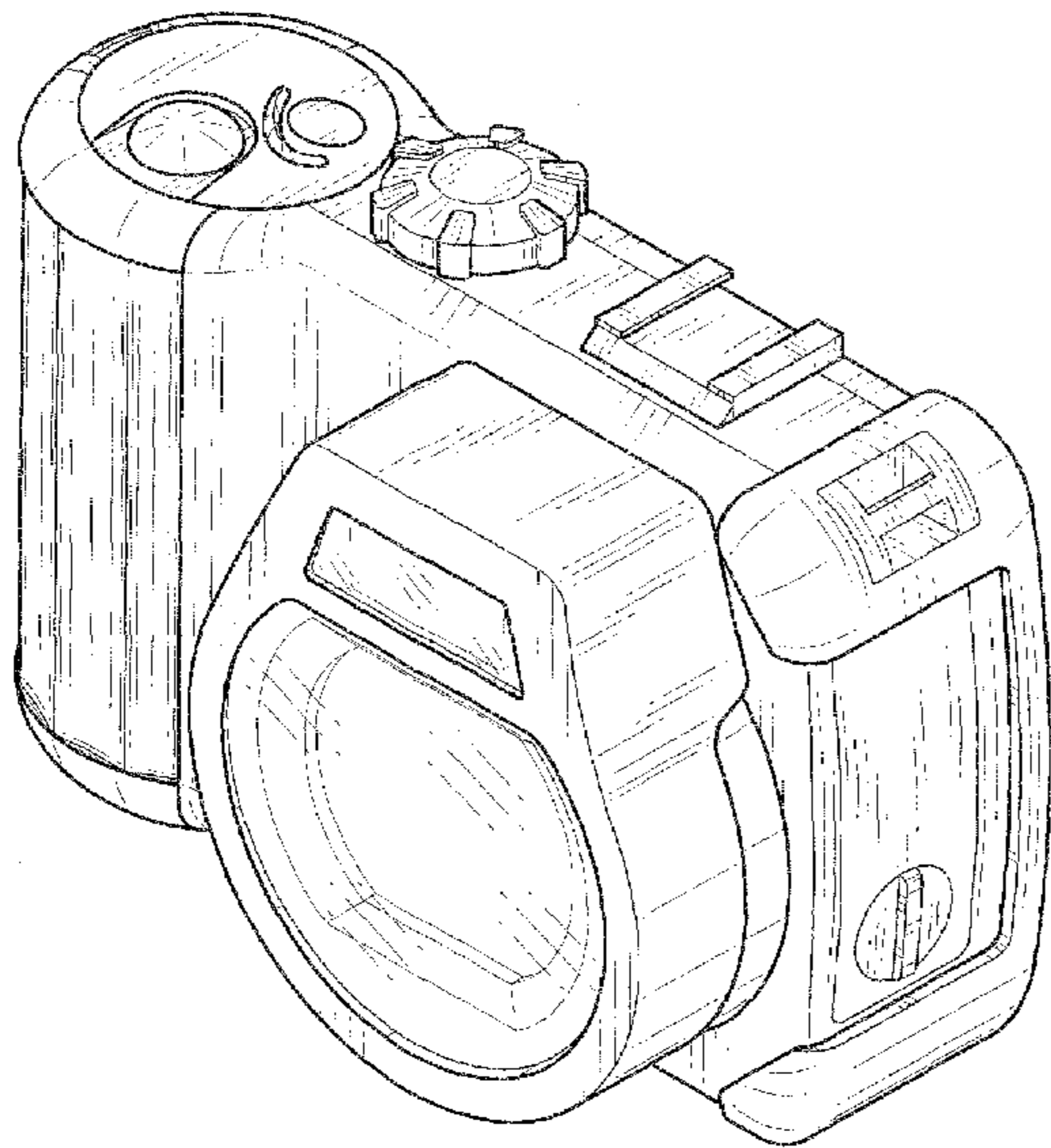


FIG. 1

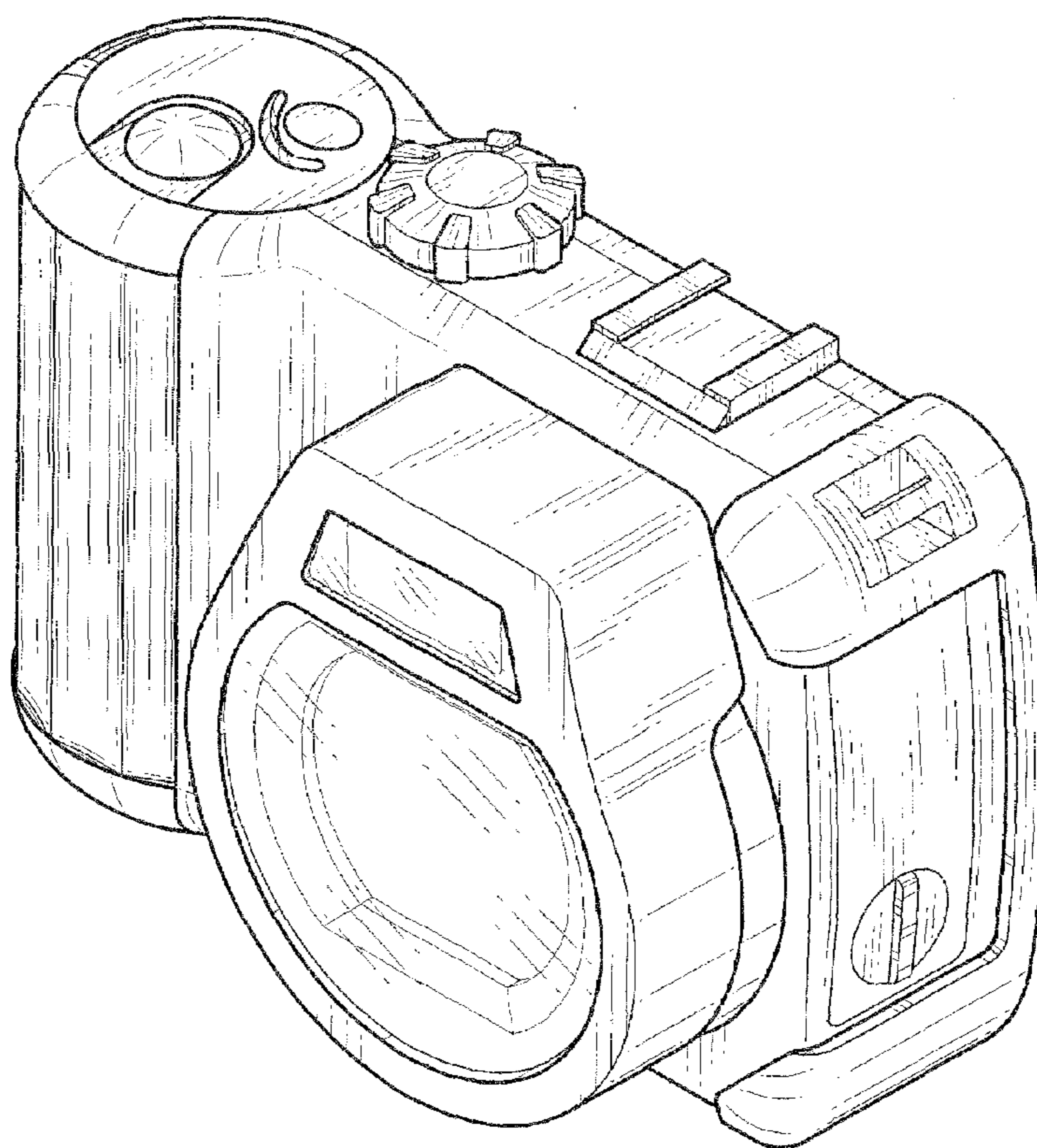


FIG. 2

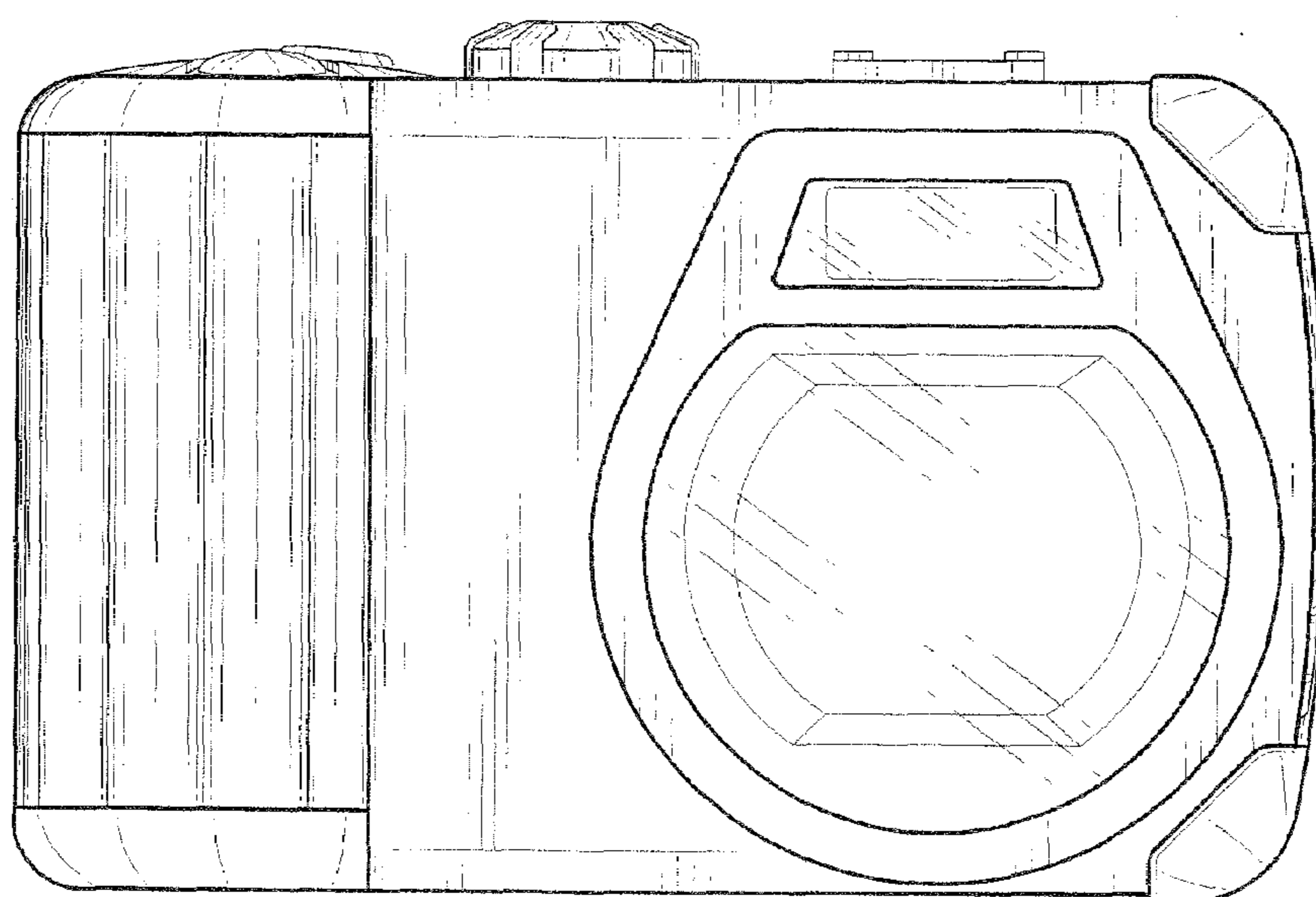


FIG.3

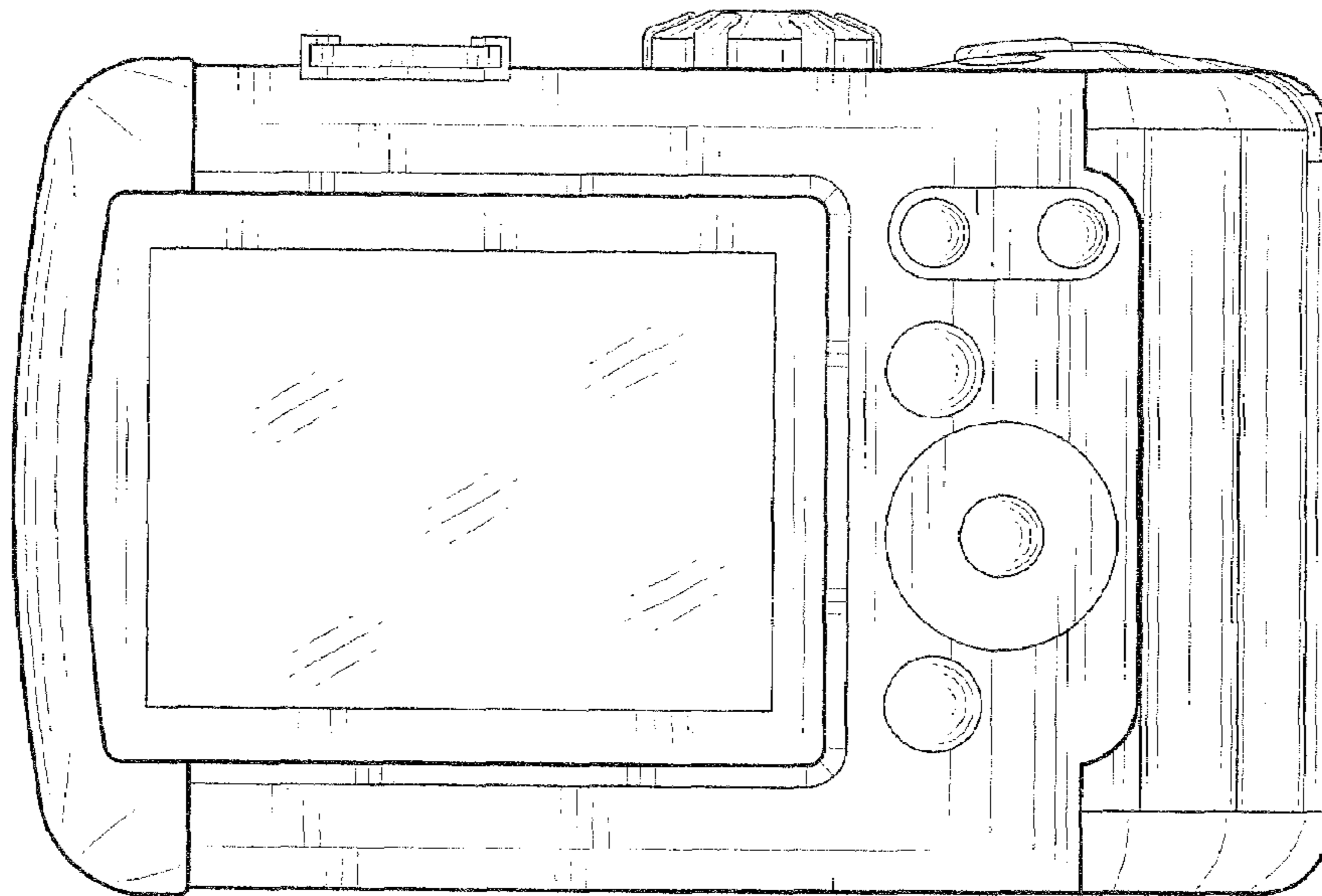


FIG.4

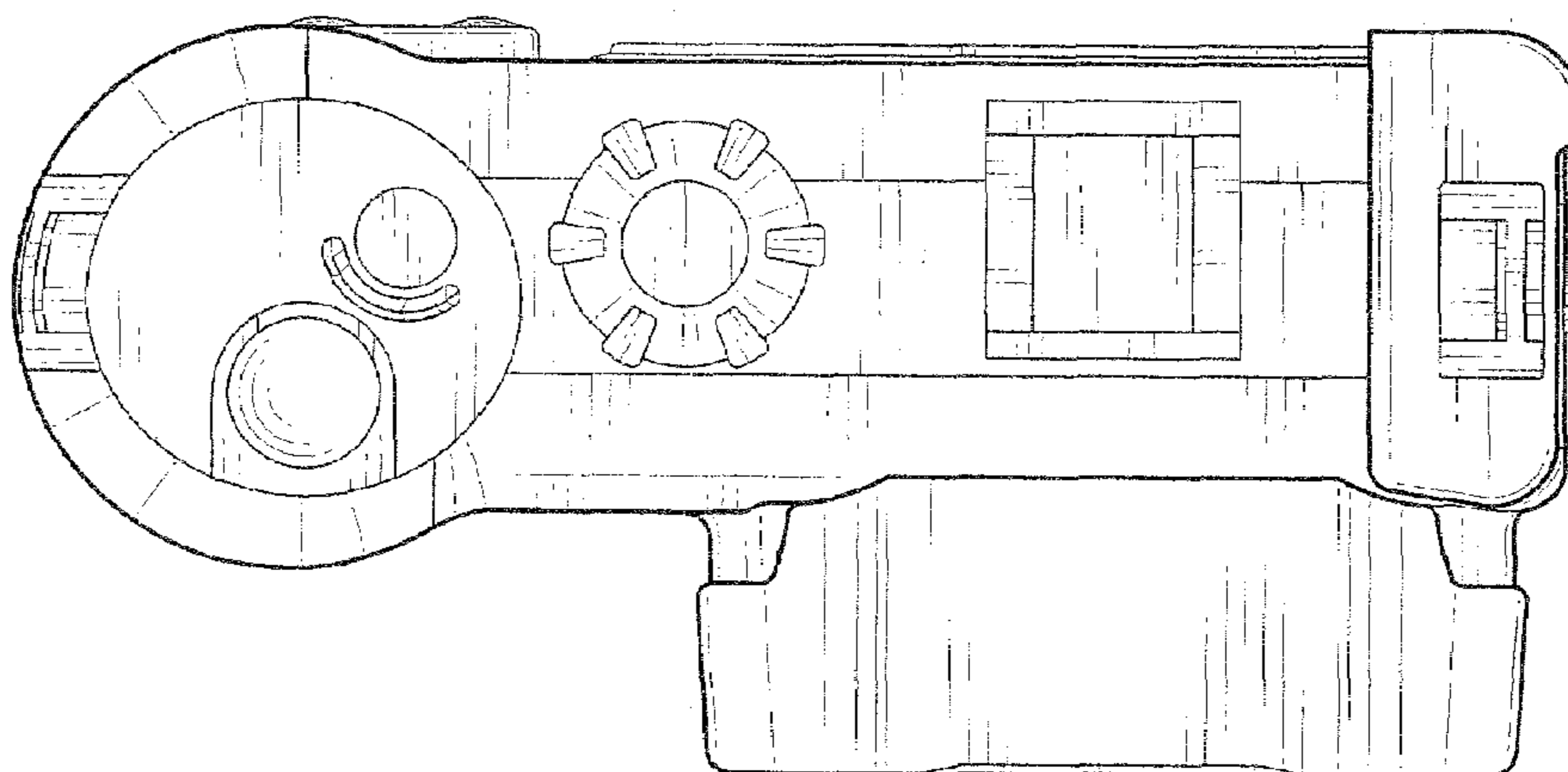


FIG.5

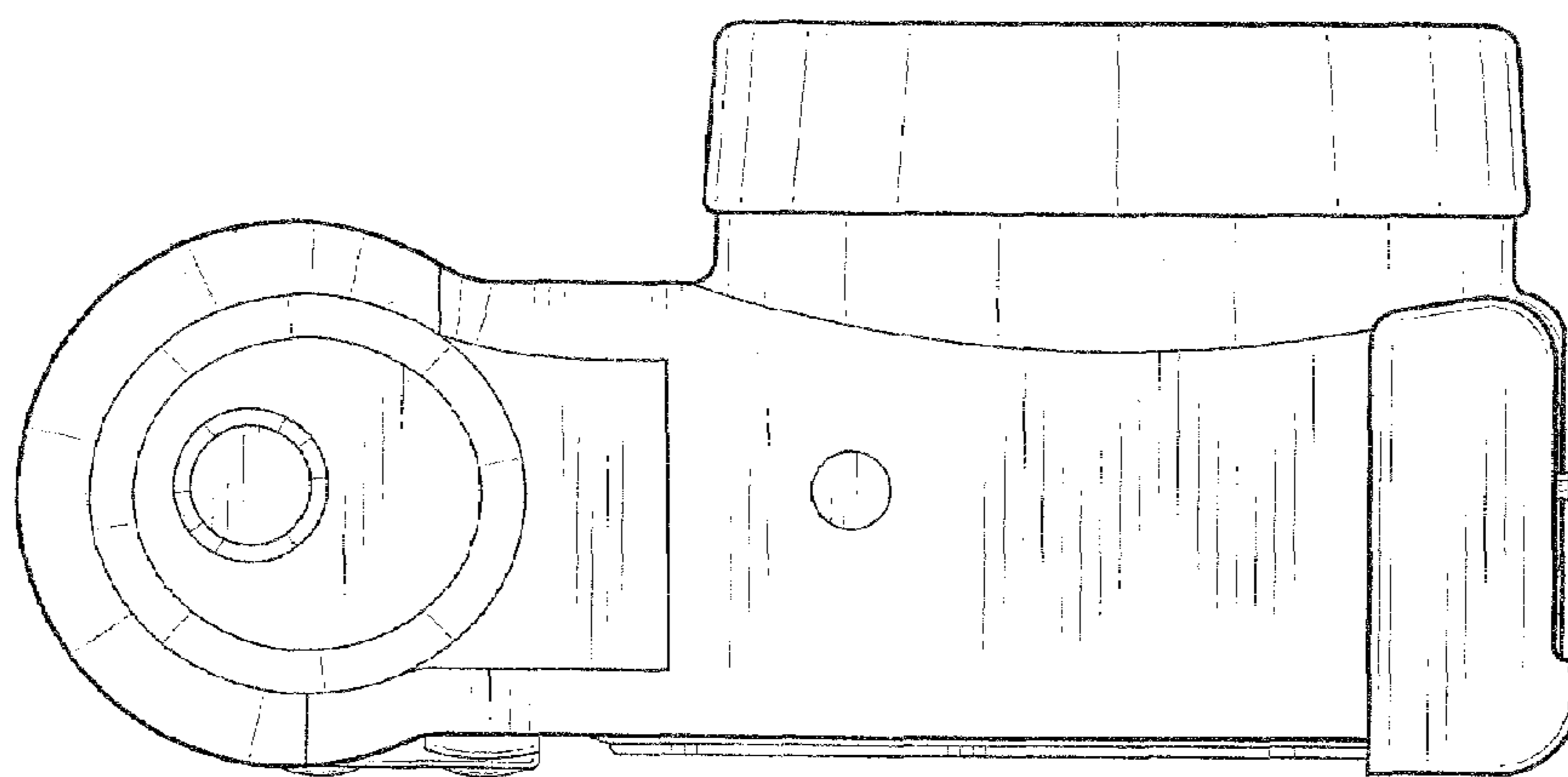


FIG.6

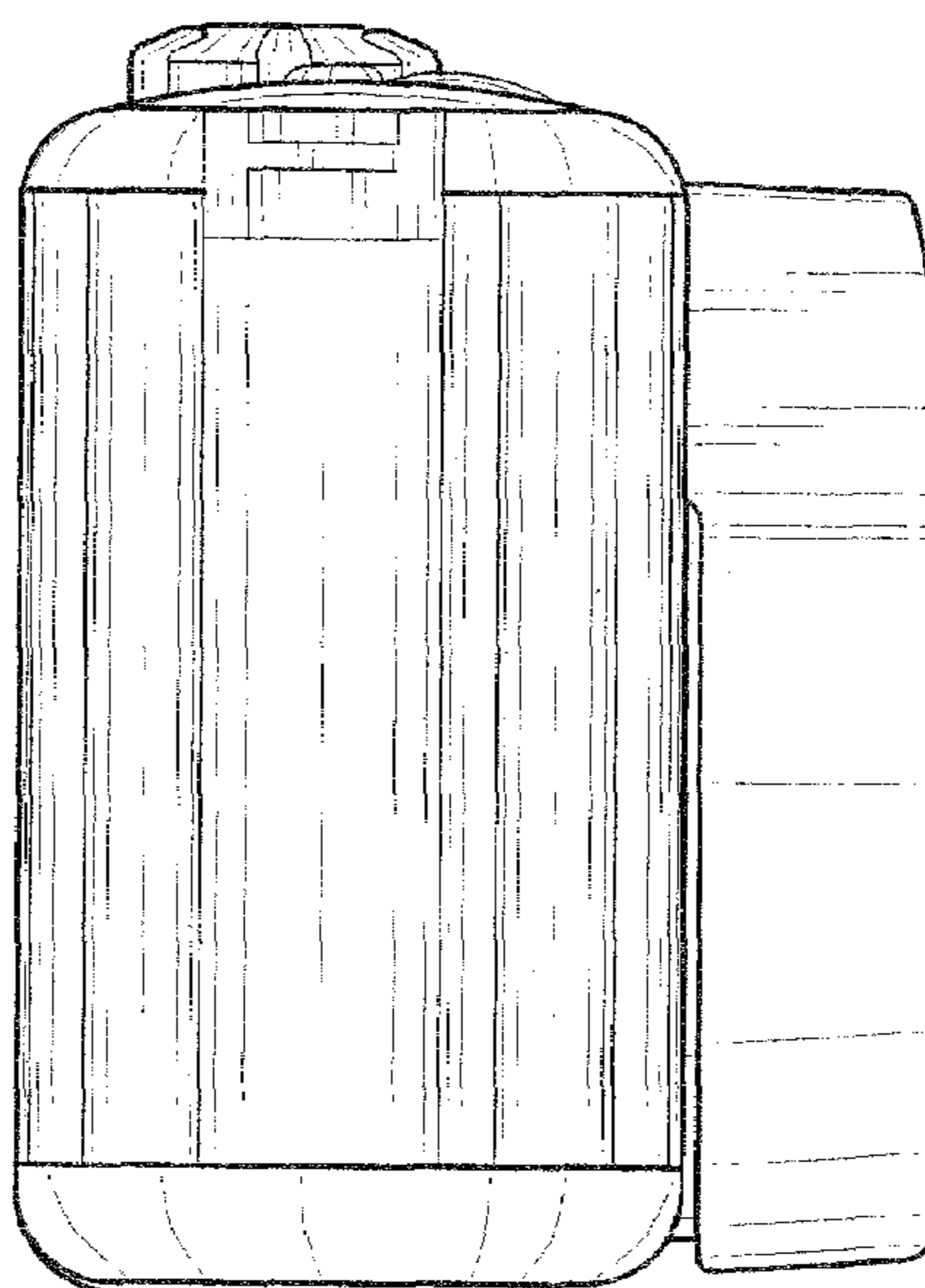


FIG. 7

