



US00D576190S

(12) **United States Design Patent**  
**Tainaka**

(10) **Patent No.:** **US D576,190 S**  
(45) **Date of Patent:** **\*\* Sep. 2, 2008**

(54) **DIGITAL CAMERA**

D566,741 S \* 4/2008 Matsuda ..... D16/202

(75) Inventor: **Daisuke Tainaka**, Hachioji (JP)

(73) Assignee: **Olympus Imaging Corp.**, Tokyo (JP)

(\*\*) Term: **14 Years**

(21) Appl. No.: **29/292,157**

(22) Filed: **Sep. 28, 2007**

(30) **Foreign Application Priority Data**

Aug. 21, 2007 (JP) ..... 2007-022600

(51) **LOC (8) Cl.** ..... **16-01**

(52) **U.S. Cl.** ..... **D16/202**

(58) **Field of Classification Search** ..... D16/200–204,  
D16/208, 218; 348/373–376; 358/909.1;  
396/6, 535–541

See application file for complete search history.

(56) **References Cited**

**U.S. PATENT DOCUMENTS**

- D516,599 S \* 3/2006 Nakamura ..... D16/218
- D524,345 S \* 7/2006 Hayamizu ..... D16/202
- D535,314 S \* 1/2007 Chang ..... D16/202
- D546,854 S \* 7/2007 Hayashi ..... D16/202
- D548,252 S \* 8/2007 Tajima ..... D16/202
- D553,658 S \* 10/2007 Naito et al. .... D16/202
- D562,373 S \* 2/2008 Nakamura ..... D16/202
- D562,867 S \* 2/2008 Inaba ..... D16/202

**OTHER PUBLICATIONS**

U.S. Appl. No. 29/292,161, entitled “DIGITAL CAMERA” by Inventor Daisuke Tainaka, filed Sep. 28, 2007.

U.S. Appl. No. 29/292,162, entitled “DIGITAL CAMERA” by Inventor Daisuke Tainaka, filed Sep. 28, 2007.

U.S. Appl. No. 29/292,158, entitled “DIGITAL CAMERA” by Inventor Daisuke Tainaka, filed Sep. 28, 2007.

U.S. Appl. No. 29/292,156, entitled “DIGITAL CAMERA” by Inventor Daisuke Tainaka, filed Sep. 28, 2007.

\* cited by examiner

*Primary Examiner*—Adir Aronovich

(74) *Attorney, Agent, or Firm*—Frishauf, Holtz, Goodman & Chick, P.C.

(57) **CLAIM**

The ornamental design for a digital camera, as shown and described.

**DESCRIPTION**

FIG. 1 is a front, top and right side perspective view of a digital camera;

FIG. 2 is a front elevational view thereof;

FIG. 3 is a rear elevational view thereof;

FIG. 4 is a top plan view thereof;

FIG. 5 is a bottom plan view thereof;

FIG. 6 is a right side elevational view thereof; and,

FIG. 7 is a left side elevational view thereof.

**1 Claim, 4 Drawing Sheets**

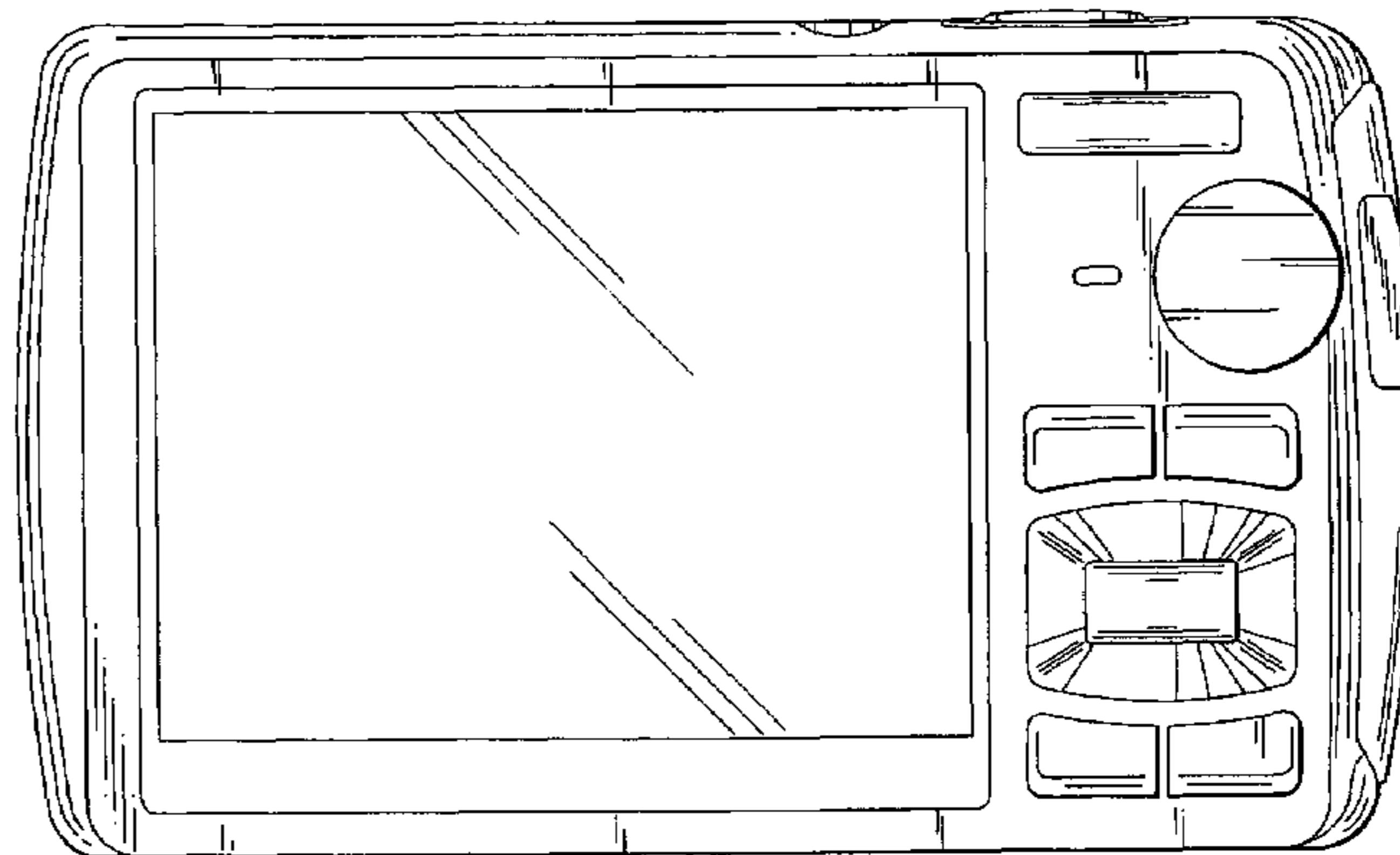
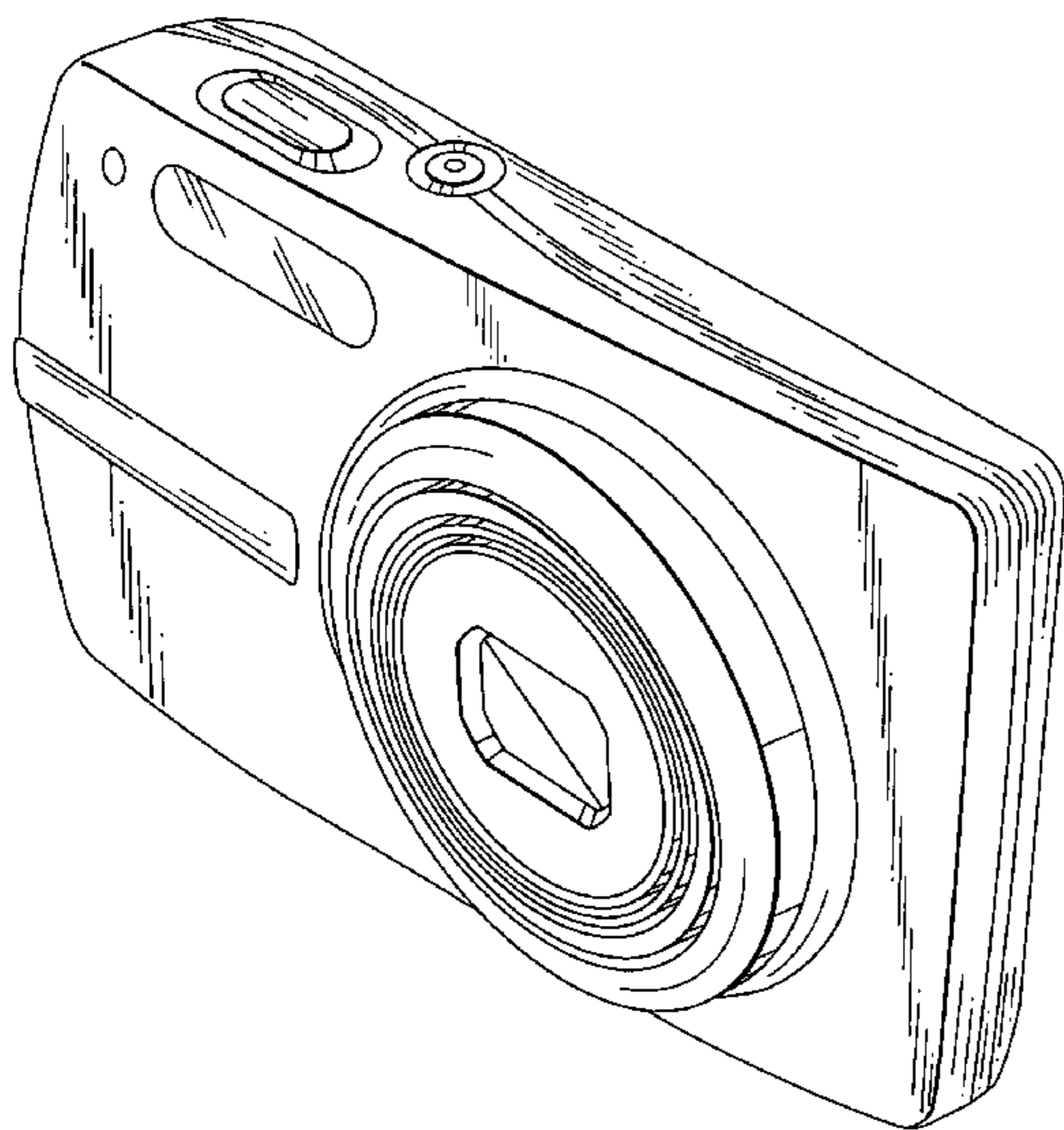


FIG.1

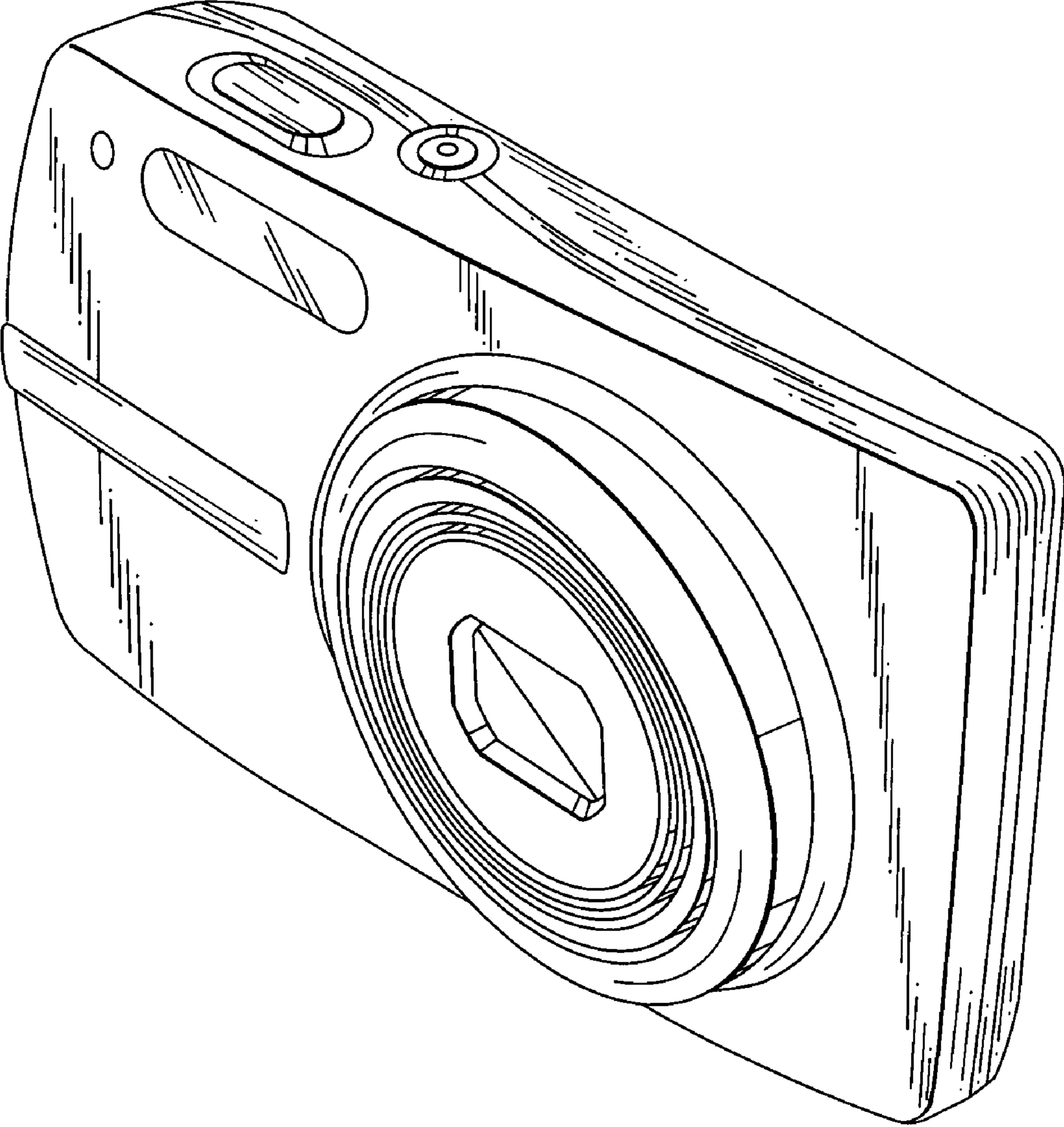


FIG.2

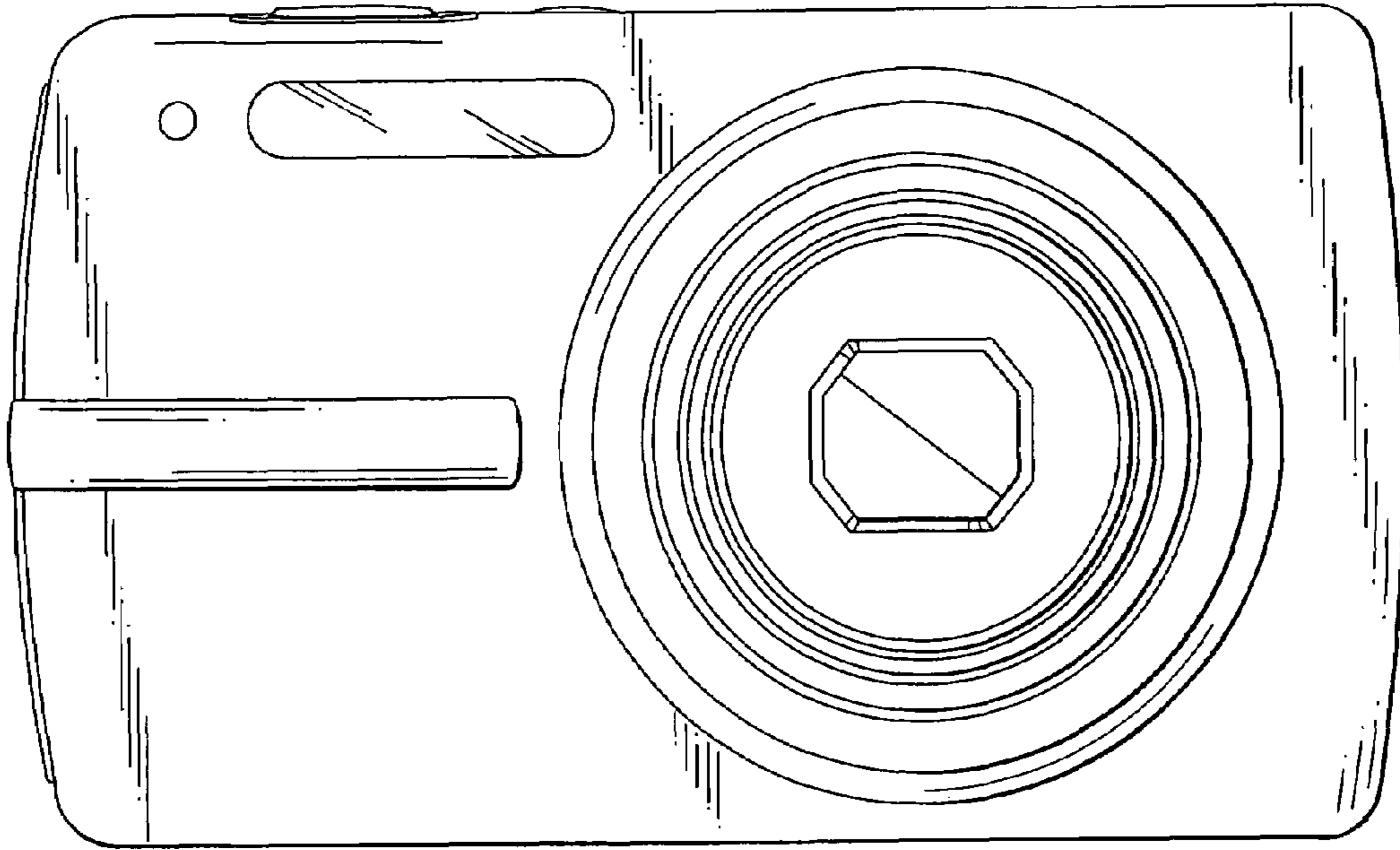


FIG.3

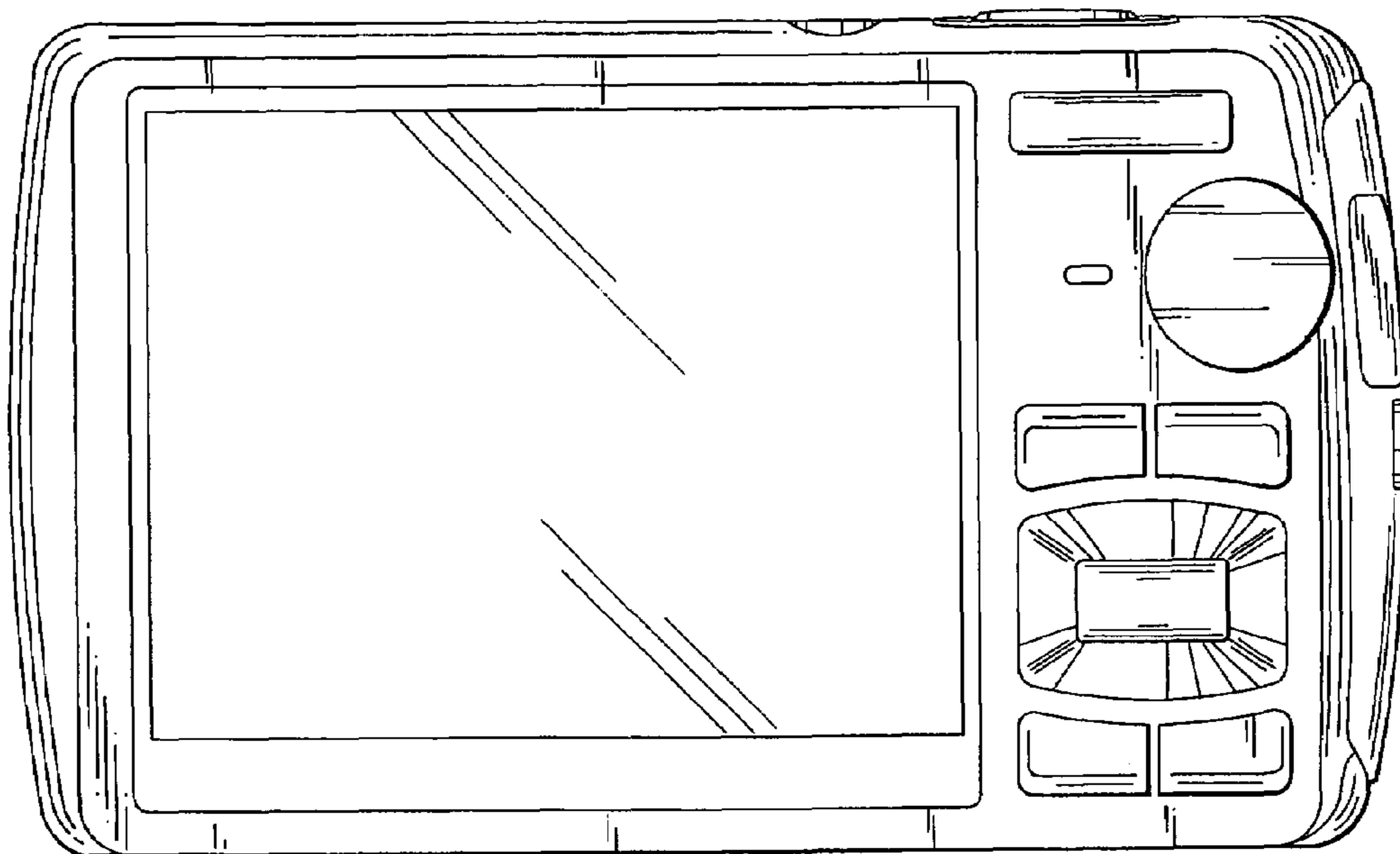


FIG.4

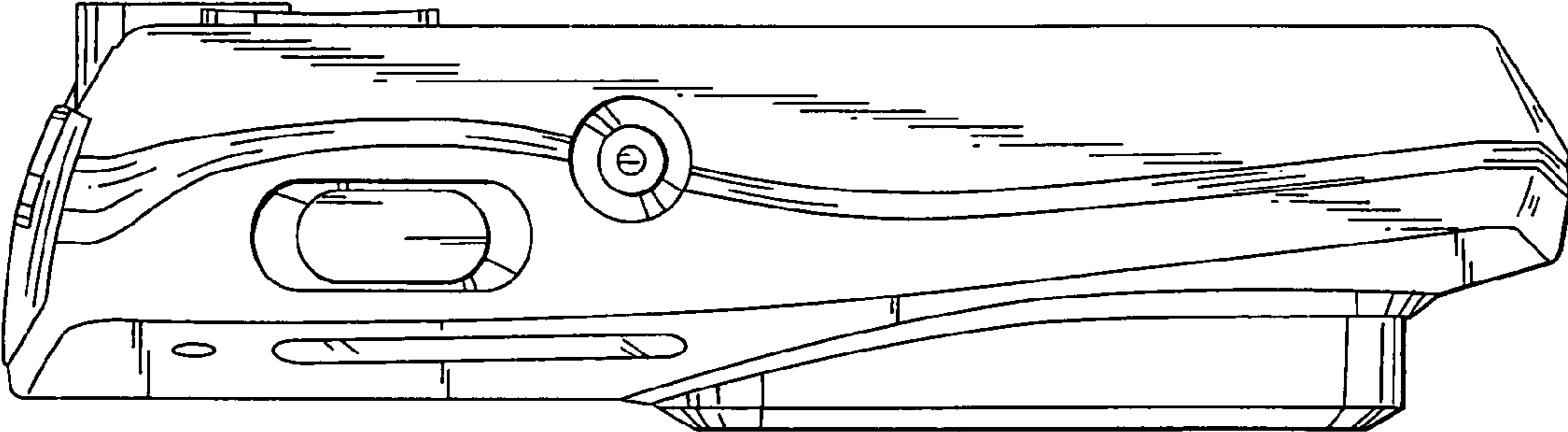


FIG.5

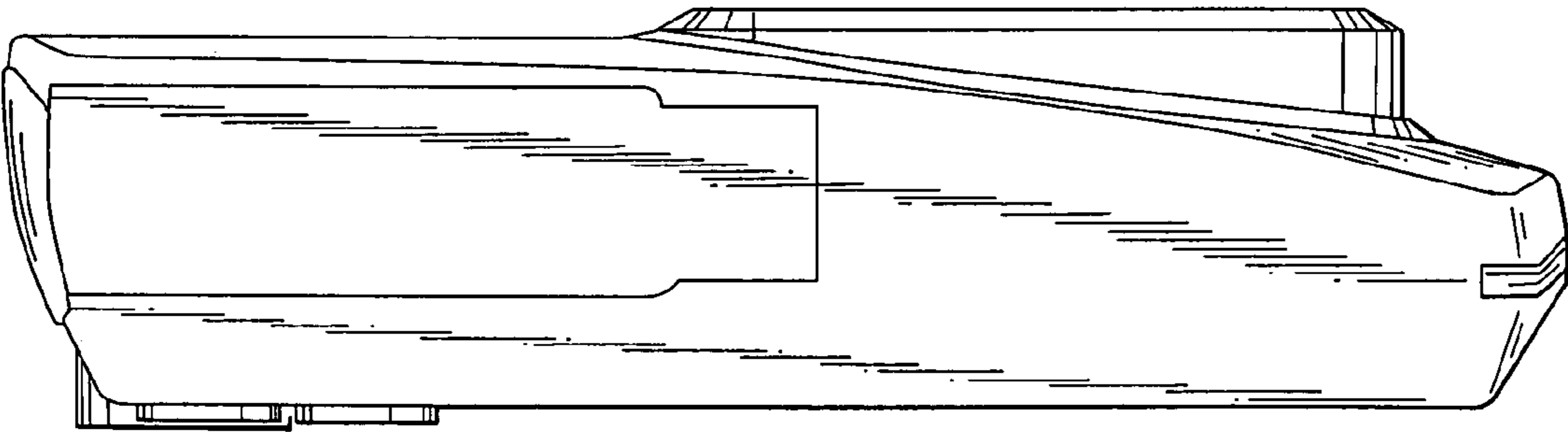


FIG.6



FIG.7

