



US00D576189S

(12) **United States Design Patent**
Shimizu et al.

(10) **Patent No.:** **US D576,189 S**
(45) **Date of Patent:** **** Sep. 2, 2008**

(54) **COMBINED VIDEO CAMERA AND VIDEO TAPE RECORDER**

(75) Inventors: **Minoru Shimizu**, Tokyo (JP); **Hiroshi Yasutomi**, Tokyo (JP)

(73) Assignee: **Sony Corporation**, Tokyo (JP)

(**) Term: **14 Years**

(21) Appl. No.: **29/274,963**

(22) Filed: **Jun. 12, 2007**

(30) **Foreign Application Priority Data**

Dec. 26, 2006 (JP) D2006-035744

(51) **LOC (8) Cl.** **16-01**

(52) **U.S. Cl.** **D16/202**

(58) **Field of Classification Search** D16/200–206, D16/208, 218; 348/373–376; 358/906; 396/535–541
See application file for complete search history.

(56) **References Cited**

U.S. PATENT DOCUMENTS

D423,541 S	*	4/2000	Ohwada	D16/202
D477,343 S		7/2003	Miyashita		
D496,061 S		9/2004	Hayashi		
D499,438 S	*	12/2004	Shimizu	D16/202
D500,512 S		1/2005	Hayashi		
D516,597 S		3/2006	Tsuchiya		
D516,600 S		3/2006	Tsuchiya		
D521,041 S	*	5/2006	Chung et al.	D16/202
D524,840 S		7/2006	Tsuchiya		

D532,805 S	*	11/2006	Masano et al.	D16/202
D534,936 S		1/2007	Sadatsuki		
D542,317 S	*	5/2007	Miyashita	D16/202
D557,723 S	*	12/2007	Shimizu	D16/202
D558,245 S	*	12/2007	Ikenaga	D16/202
D560,241 S	*	1/2008	Chung	D16/202
D566,150 S	*	4/2008	Sadatsuki	D16/202

FOREIGN PATENT DOCUMENTS

JP D1286824 S 11/2006

* cited by examiner

Primary Examiner—Adir Aronovich

(74) *Attorney, Agent, or Firm*—Rader, Fishman & Grauer, PLLC

(57) **CLAIM**

The ornamental design for a combined video camera and video tape recorder, as shown.

DESCRIPTION

FIG. 1 is a perspective view of a combined video camera and video tape recorder showing my new design;

FIG. 2 is a front elevational view thereof;

FIG. 3 is a rear elevational view thereof;

FIG. 4 is a left side elevational view thereof;

FIG. 5 is a right side elevational view thereof;

FIG. 6 is a top plan view thereof; and,

FIG. 7 is a bottom plan view thereof.

1 Claim, 7 Drawing Sheets

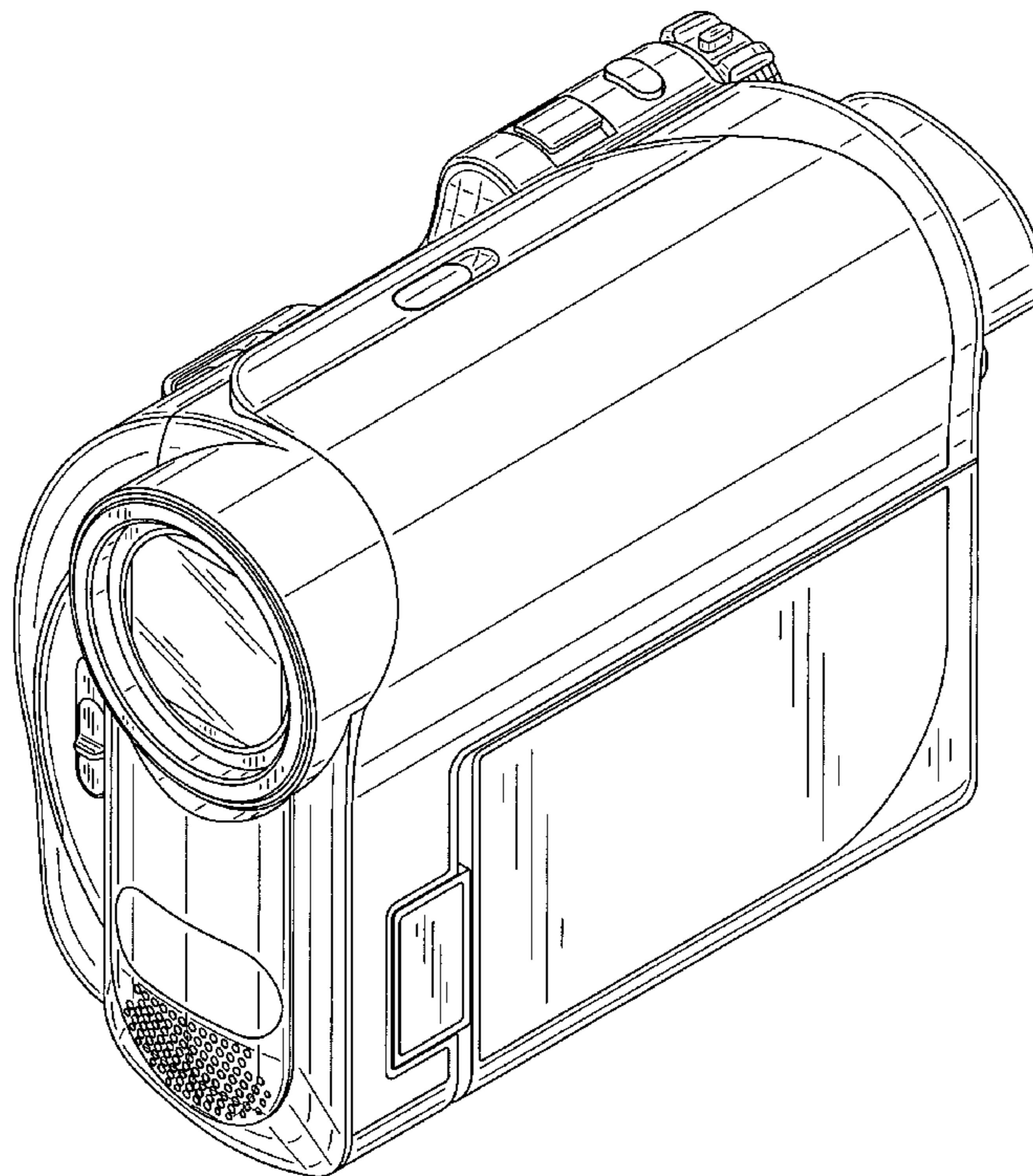


Fig.1

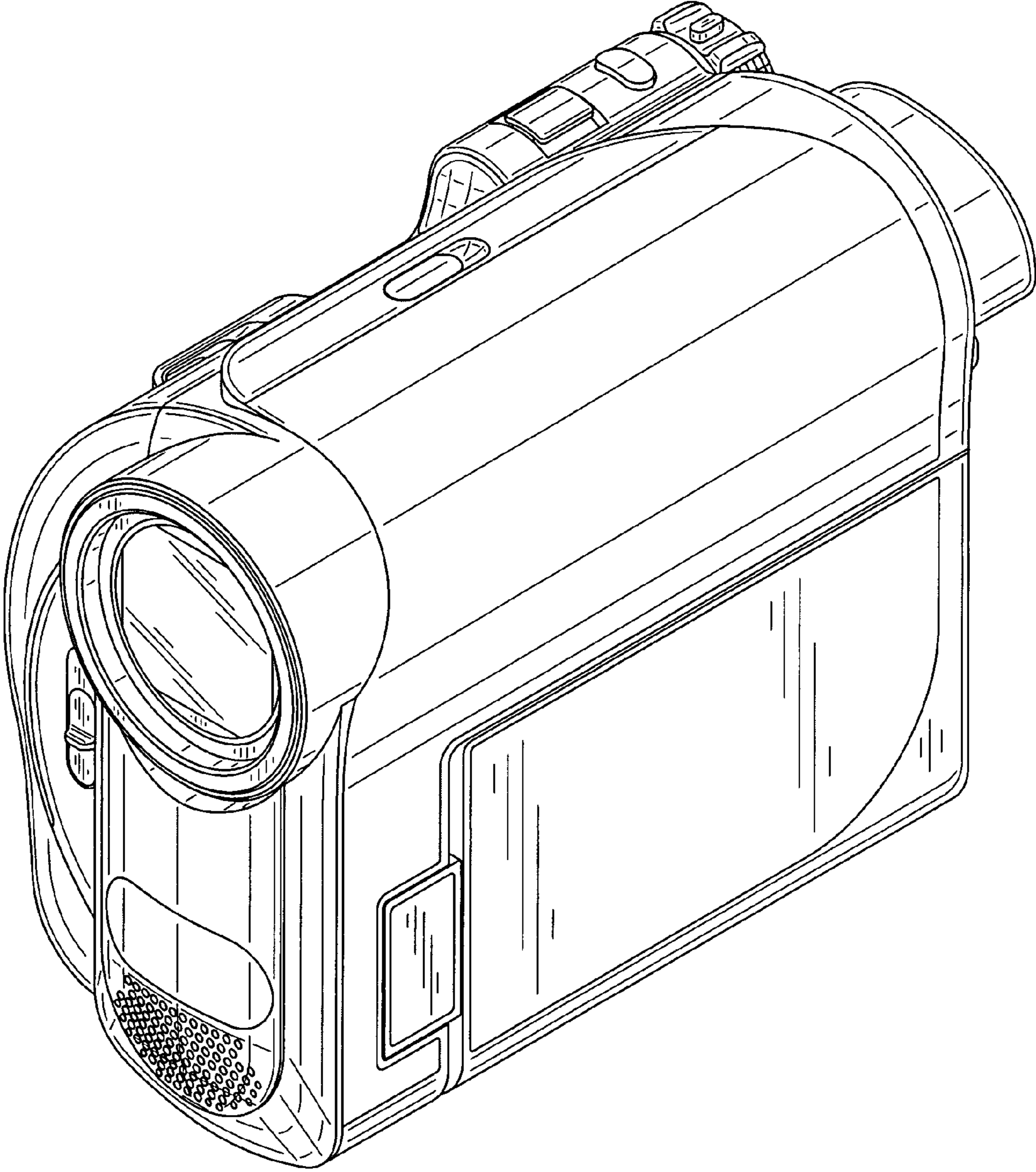


Fig.2

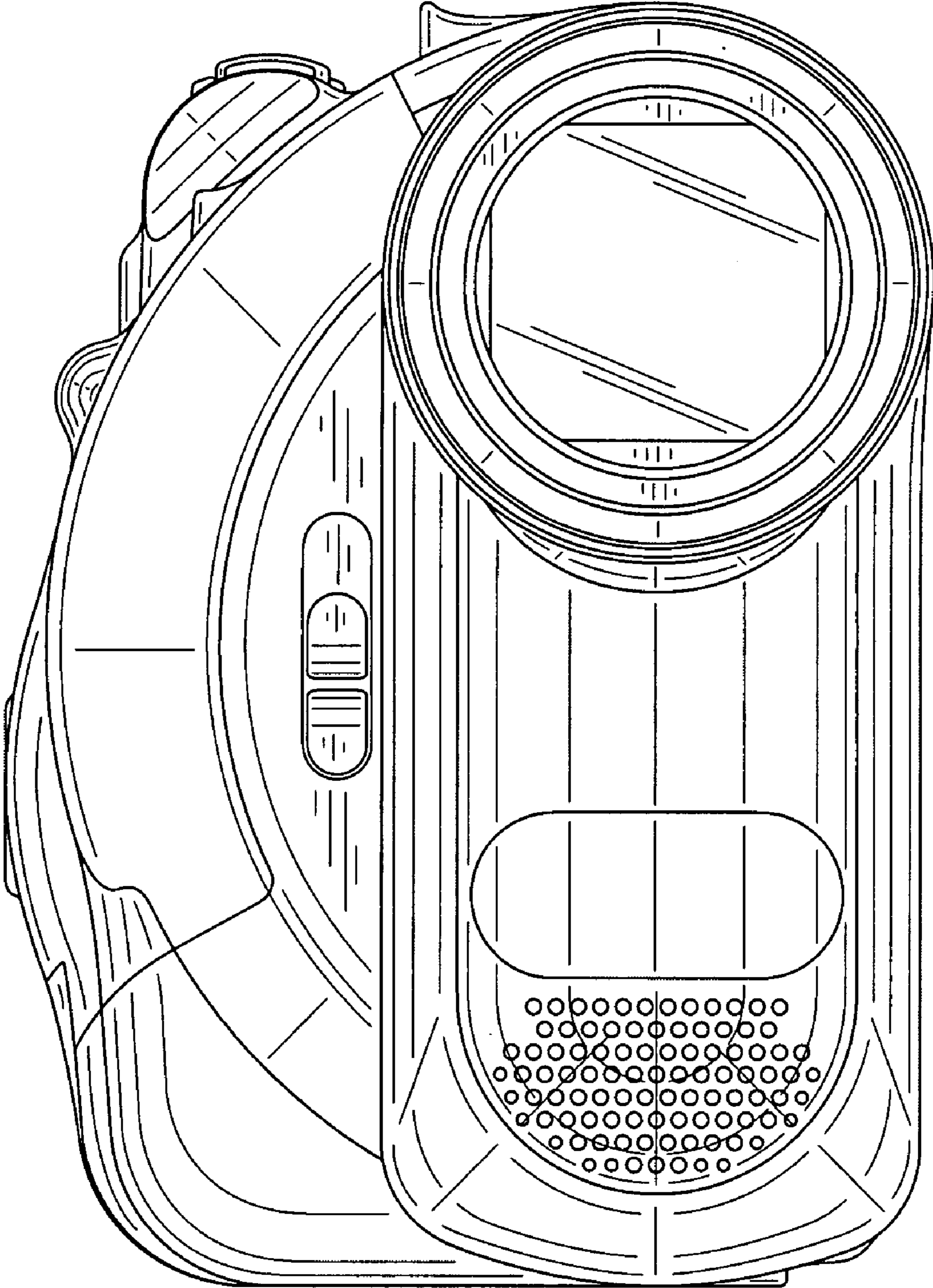
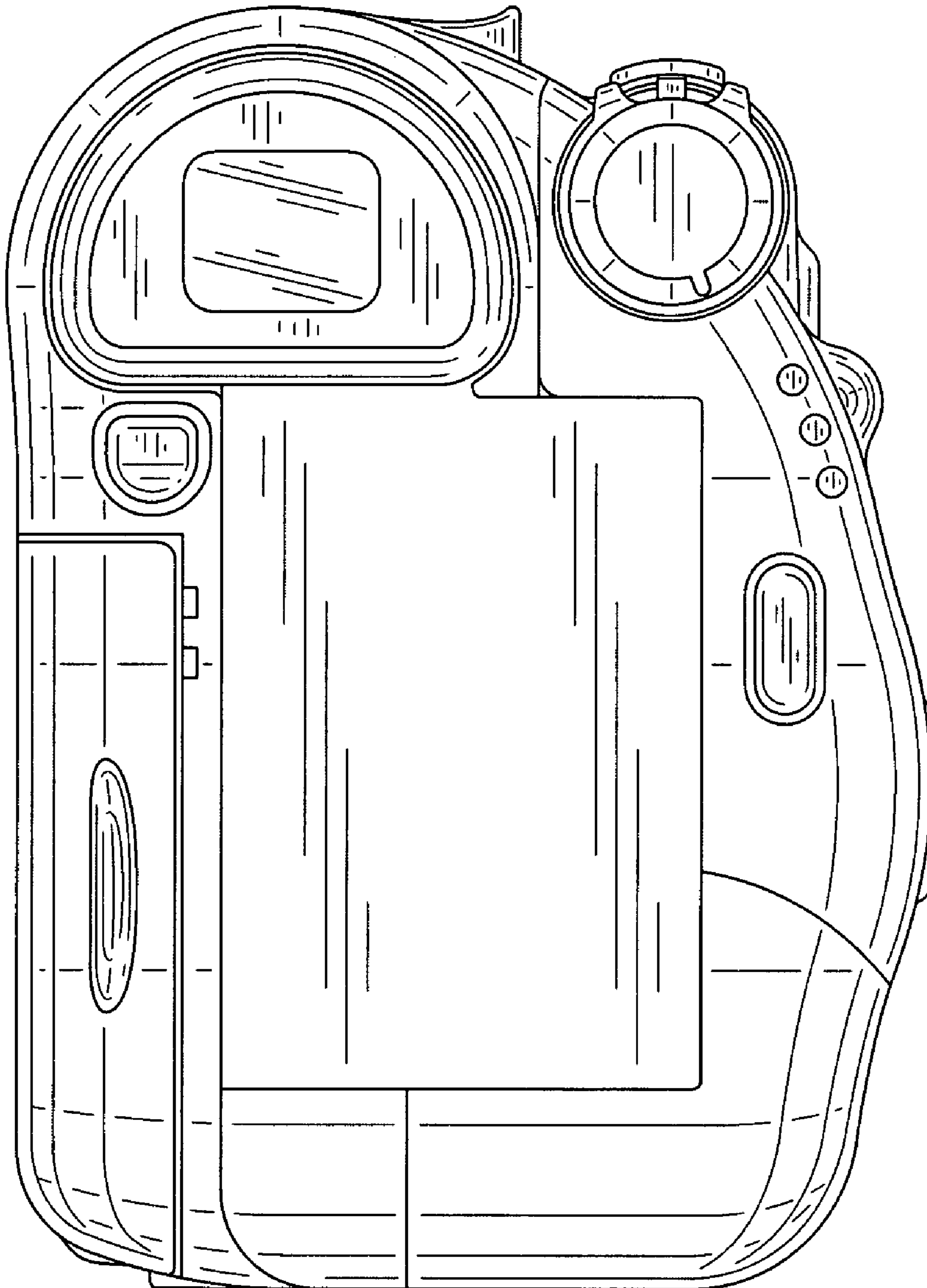


Fig.3



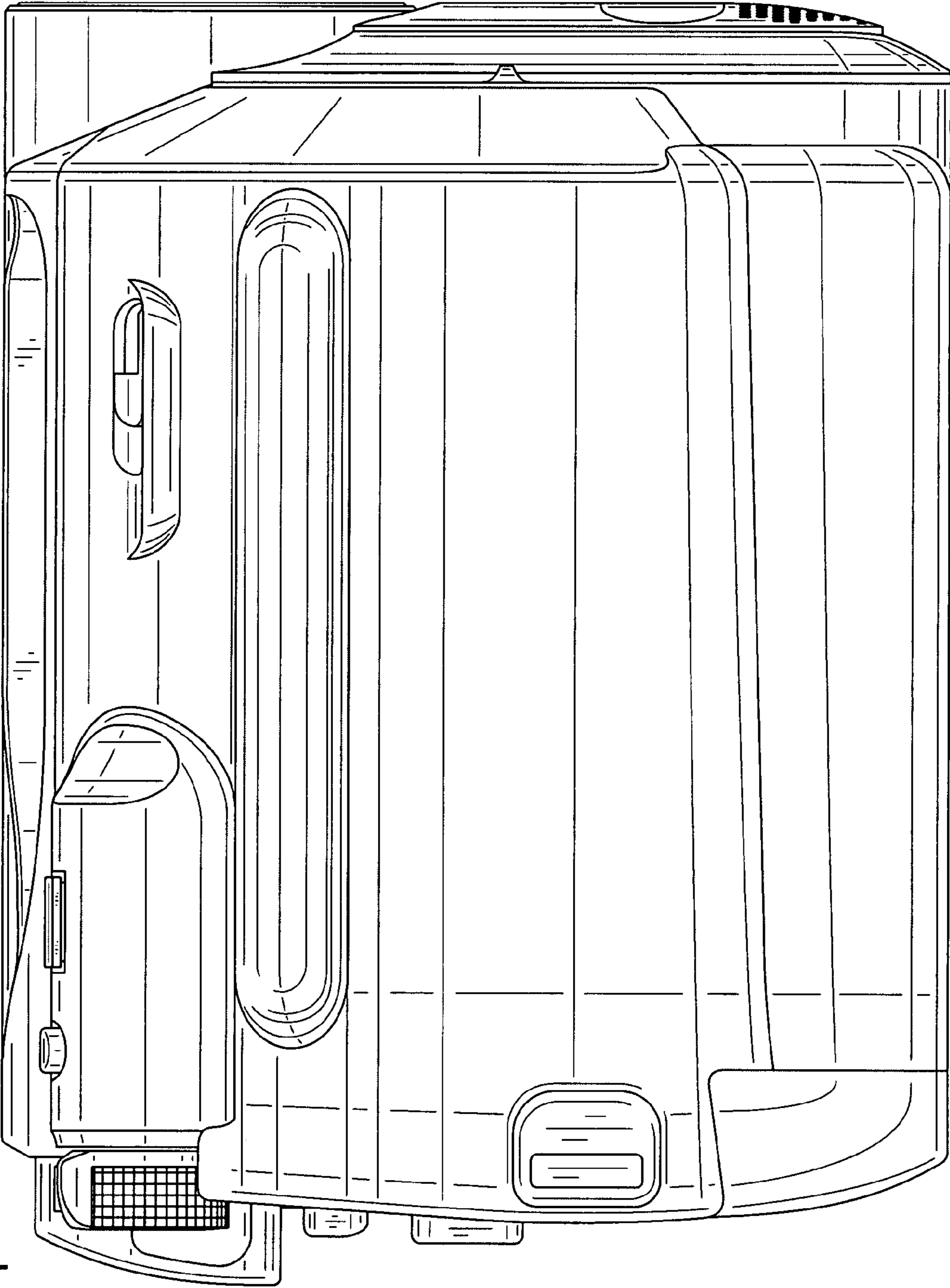


Fig. 4

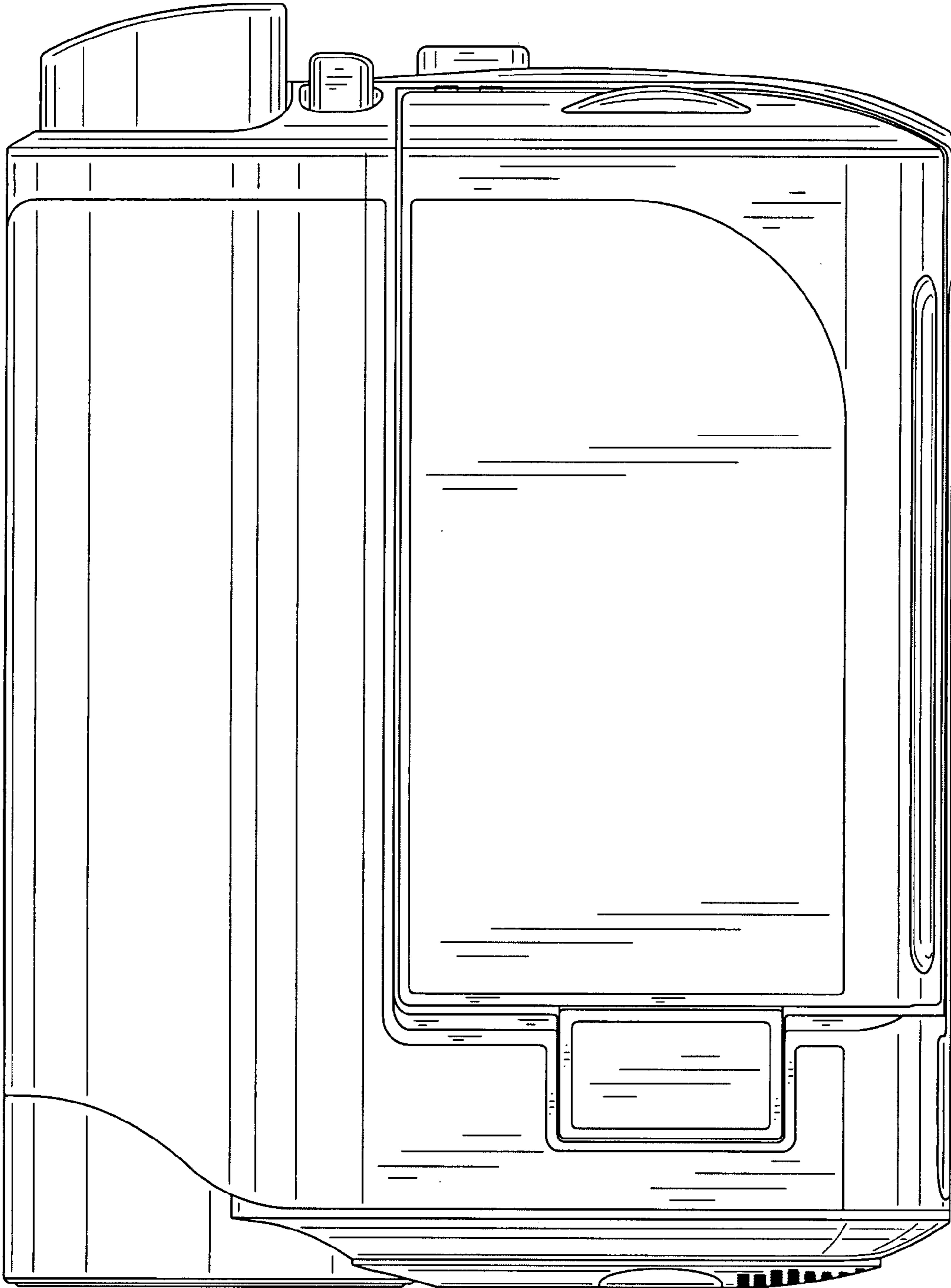


Fig.5

Fig.6

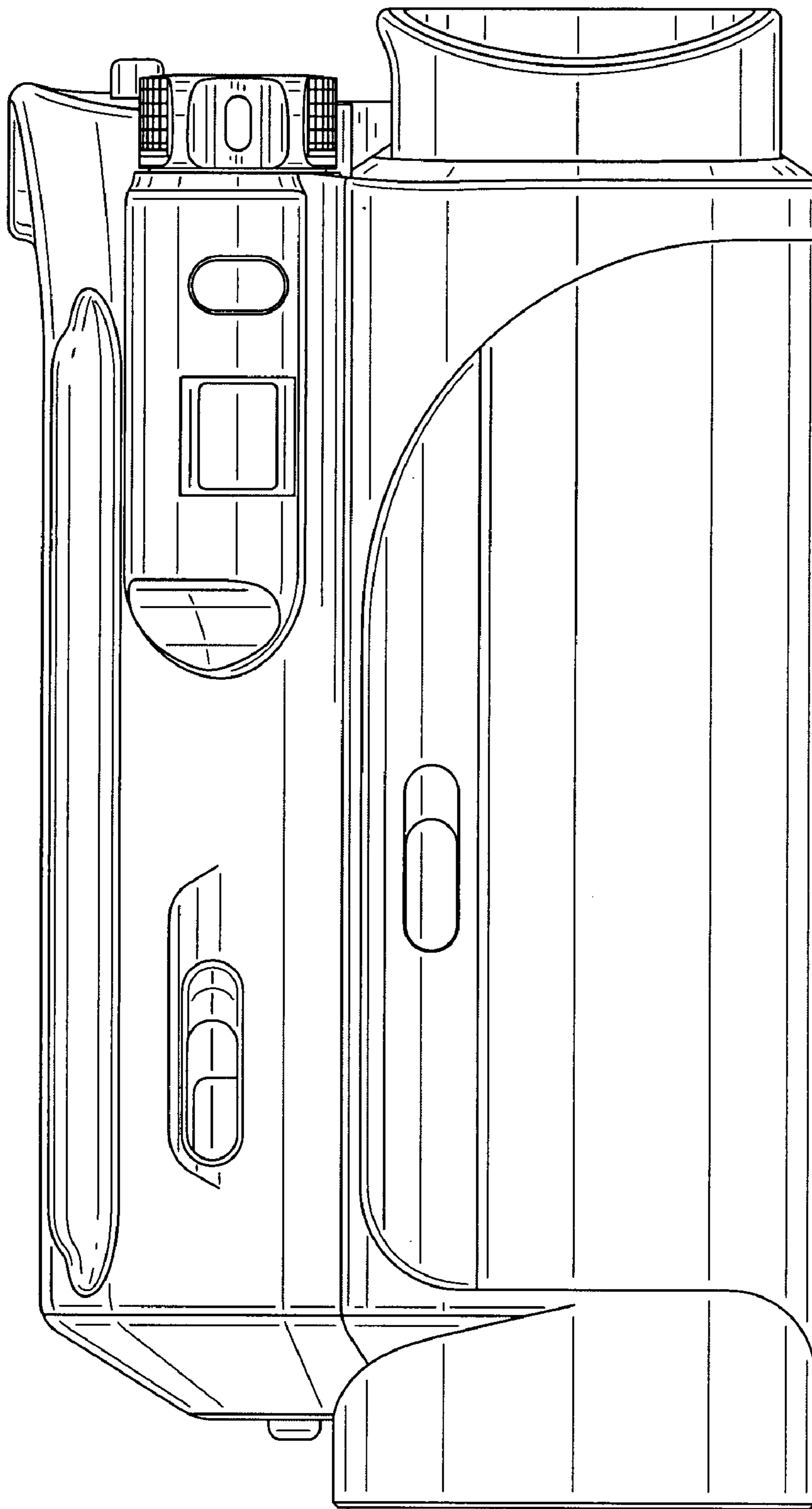


Fig.7

