



US00D576188S

(12) **United States Design Patent**
Murakami

(10) **Patent No.:** **US D576,188 S**
(45) **Date of Patent:** **** Sep. 2, 2008**

(54) **COMBINED VIDEO CAMERA AND DISC RECORDER**

(75) Inventor: **Tomonari Murakami**, Tokyo (JP)

(73) Assignee: **Sony Corporation**, Tokyo (JP)

(**) Term: **14 Years**

(21) Appl. No.: **29/274,961**

(22) Filed: **Jun. 12, 2007**

(30) **Foreign Application Priority Data**

Dec. 26, 2006 (JP) D2006-035741

(51) **LOC (8) Cl.** **16-01**

(52) **U.S. Cl.** **D16/202**

(58) **Field of Classification Search** D14/168;
D16/200-206, 208, 218; 348/373-376; 358/906;
396/535-541

See application file for complete search history.

(56) **References Cited**

U.S. PATENT DOCUMENTS

D477,343 S	7/2003	Miyashita	
D496,061 S	9/2004	Hayashi	
D500,512 S	1/2005	Hayashi	
D516,597 S	3/2006	Tsuchiya	
D516,600 S	3/2006	Tsuchiya	
D524,840 S	7/2006	Tsuchiya	
D534,565 S *	1/2007	Sadatsuki D16/202
D534,936 S	1/2007	Sadatsuki	
D537,463 S *	2/2007	Sadatsuki D16/219

D546,856 S *	7/2007	Masano et al. D16/202
D549,260 S *	8/2007	Kojima et al. D16/202
D557,721 S *	12/2007	Miyashita D16/202
D558,243 S *	12/2007	Tanifuji et al. D16/202
D559,878 S *	1/2008	Sadatsuki D16/202
D565,071 S *	3/2008	Ishibashi et al. D16/202
2005/0140823 A1 *	6/2005	Ishikuro 348/375

FOREIGN PATENT DOCUMENTS

JP	D1286823 S	11/2006
JP	D1286825 S	11/2006

* cited by examiner

Primary Examiner—Adir Aronovich

(74) *Attorney, Agent, or Firm*—Rader, Fishman & Grauer, PLLC

(57) **CLAIM**

The ornamental design for a combined video camera and disc recorder, as shown.

DESCRIPTION

FIG. 1 is a perspective view of a combined video camera and disc recorder showing my new design;

FIG. 2 is a front elevational view thereof;

FIG. 3 is a rear elevational view thereof;

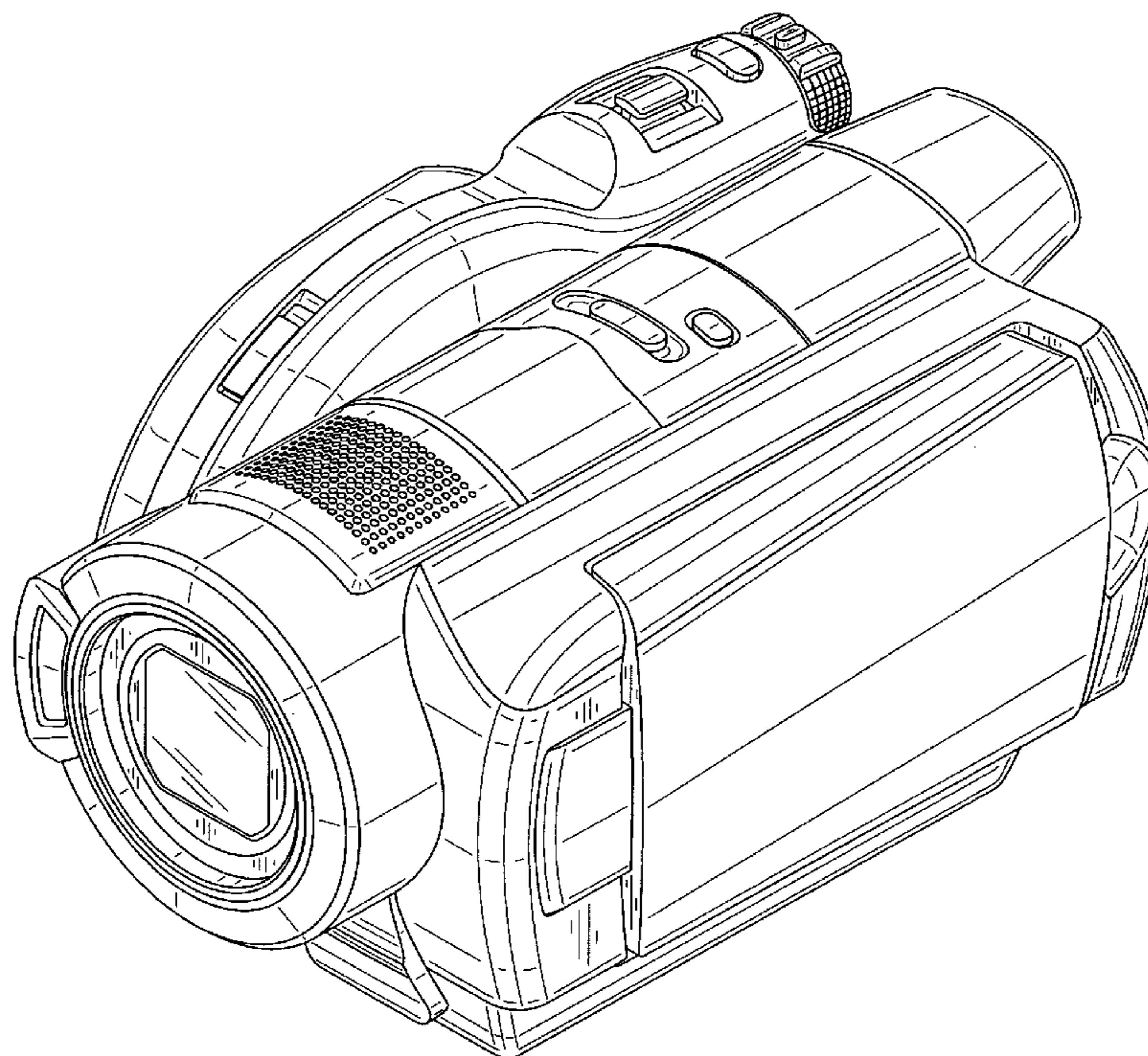
FIG. 4 is a left side elevational view thereof;

FIG. 5 is a right side elevational view thereof;

FIG. 6 is a top plan view thereof; and,

FIG. 7 is a bottom plan view thereof.

1 Claim, 7 Drawing Sheets



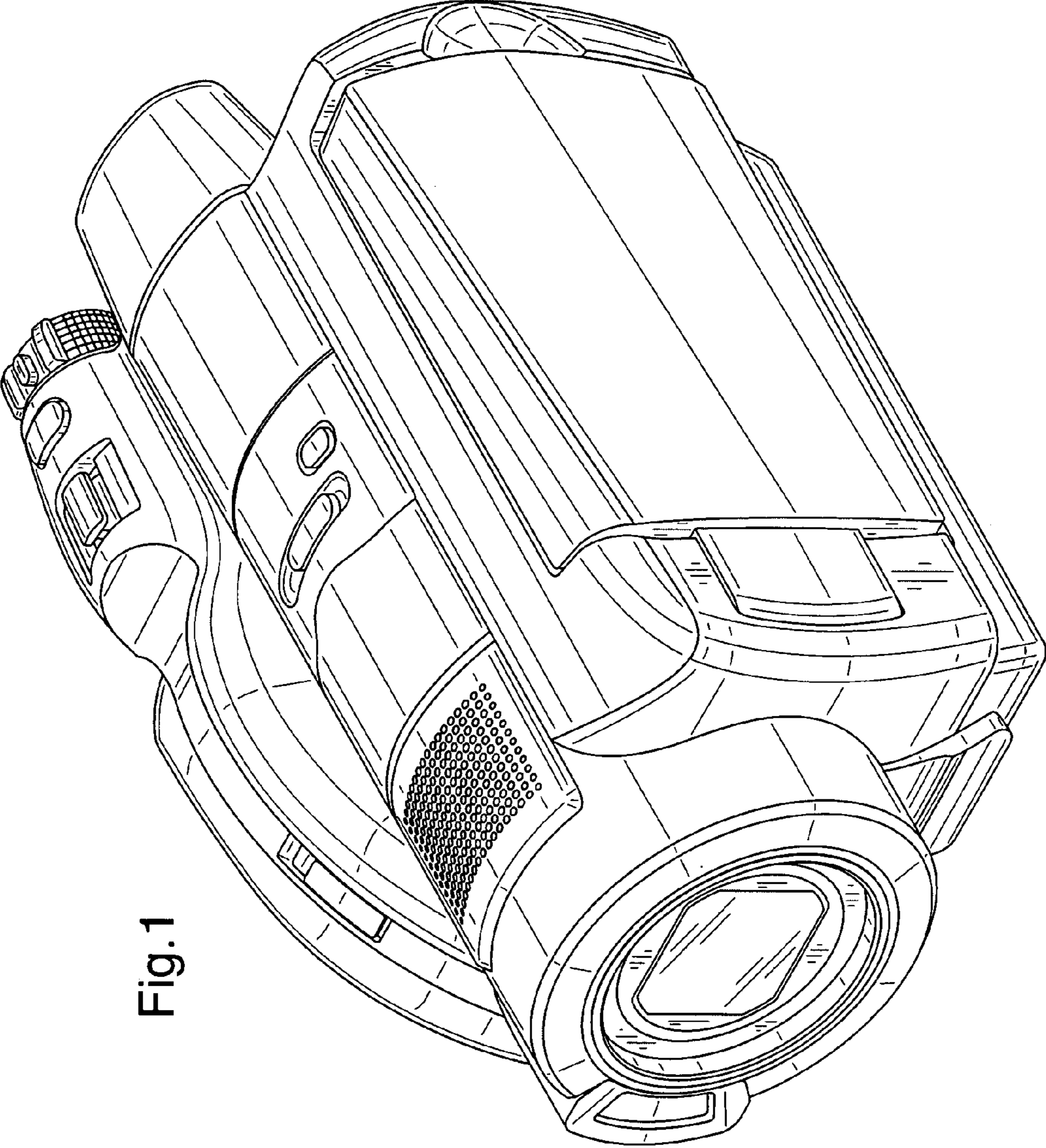


Fig.1

Fig.2

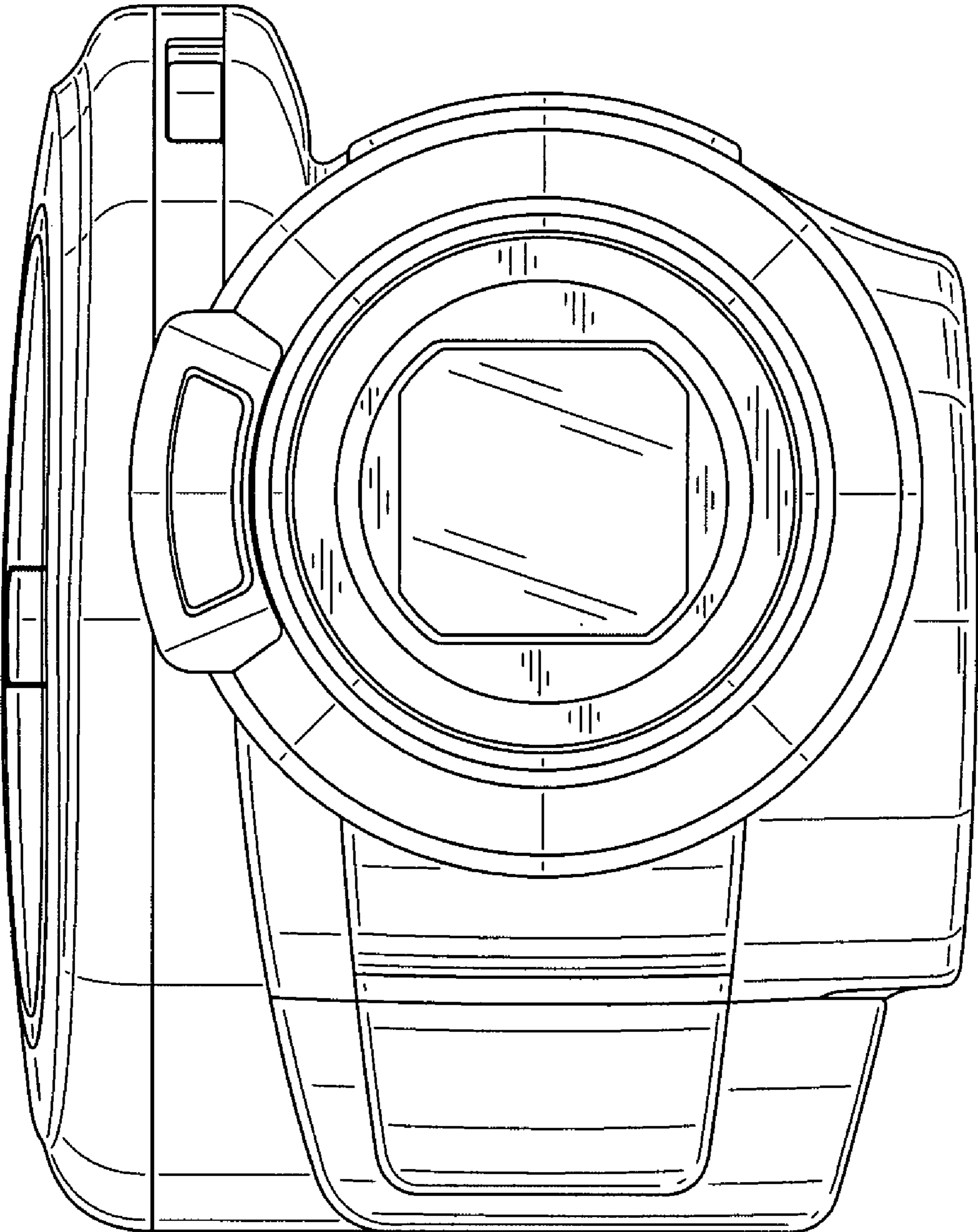


Fig.3

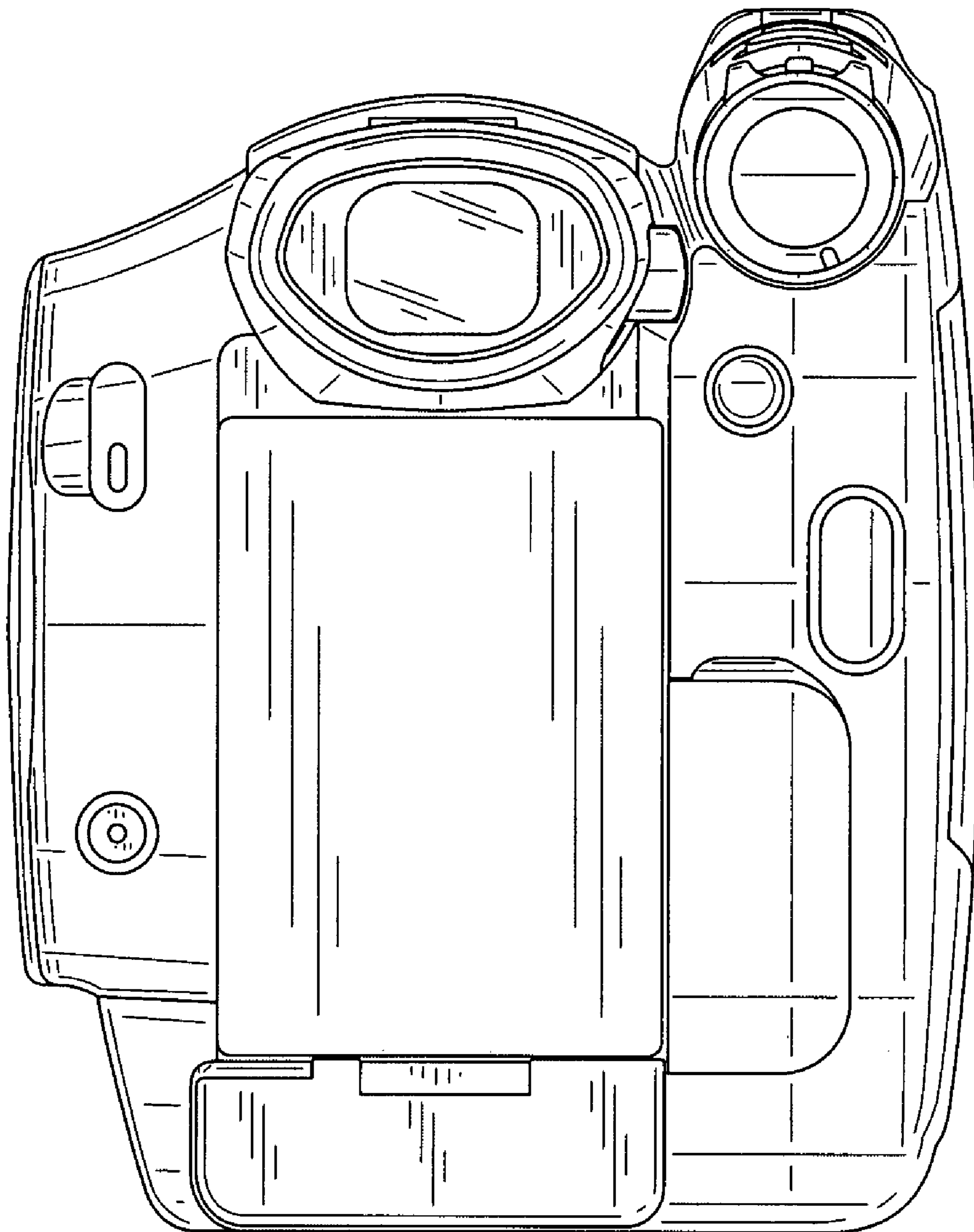


Fig.4

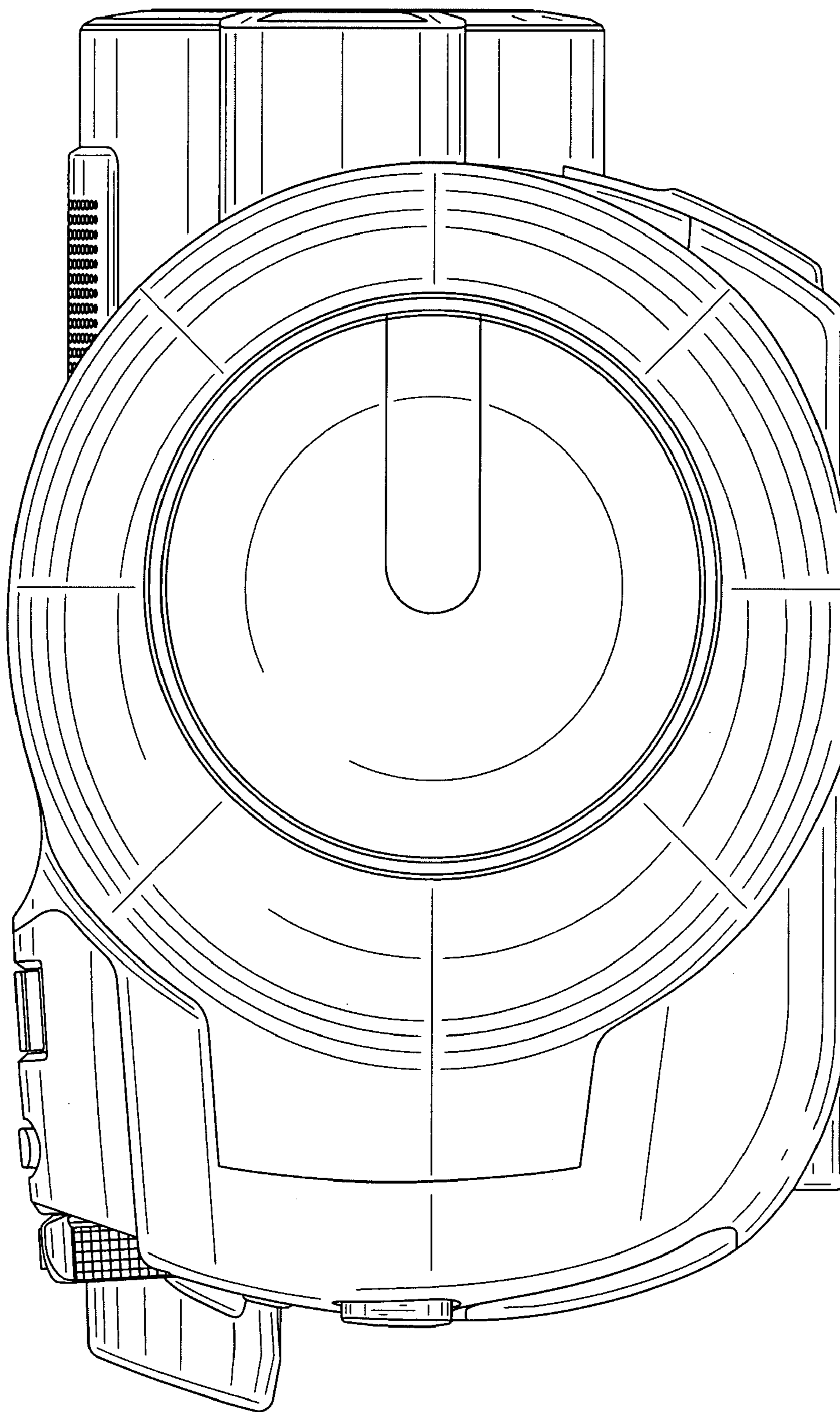


Fig.5

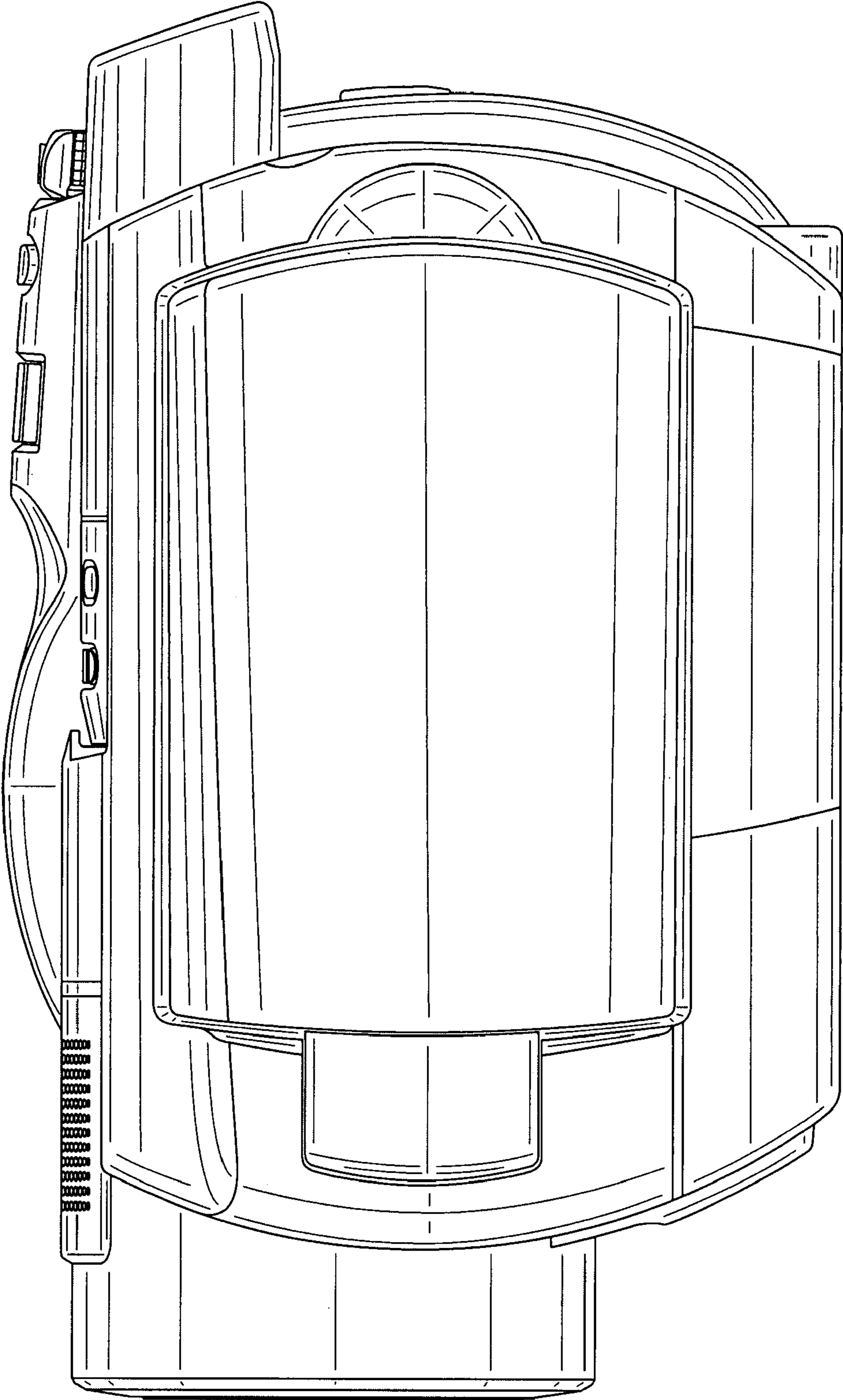


Fig.6

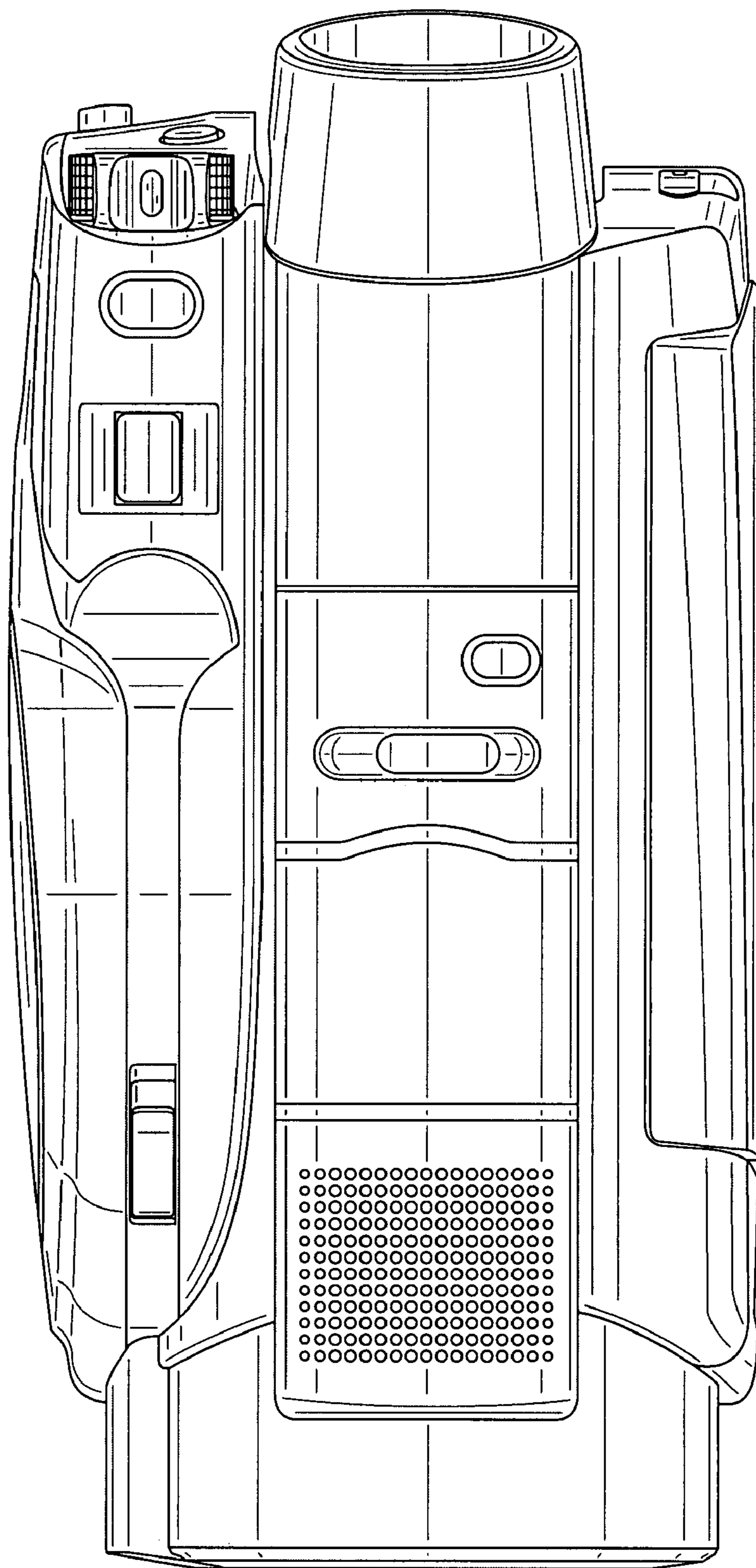


Fig.7

