



US00D576187S

(12) **United States Design Patent**  
**Hayashi et al.**

(10) **Patent No.:** **US D576,187 S**  
(45) **Date of Patent:** **\*\* Sep. 2, 2008**

(54) **CAMCORDER**

(75) Inventors: **Eiichiro Hayashi**, Tokyo (JP); **Shuji Tanifuji**, Yokohama (JP)

(73) Assignee: **Victor Company of Japan, Limited**, Yokohama-Shi (JP)

(\*\*) Term: **14 Years**

(21) Appl. No.: **29/272,881**

(22) Filed: **Feb. 21, 2007**

(30) **Foreign Application Priority Data**

Aug. 21, 2006 (JP) ..... D2006-022022

(51) **LOC (8) Cl.** ..... **16-01**

(52) **U.S. Cl.** ..... **D16/202**

(58) **Field of Classification Search** ..... D16/200–205,  
D16/208, 218; 348/373–376, 906; 358/906;  
396/535–541

See application file for complete search history.

(56) **References Cited**

**U.S. PATENT DOCUMENTS**

D423,541 S *	4/2000	Ohwada	.....	D16/202
6,219,489 B1 *	4/2001	Ohta et al.	.....	358/906
D445,816 S *	7/2001	Tanaka	.....	D16/203
D500,776 S *	1/2005	Miyashita	.....	D16/202
D544,514 S *	6/2007	Tanifuji et al.	.....	D16/202
D561,800 S *	2/2008	Sadatsuki	.....	D16/202

\* cited by examiner

*Primary Examiner*—Adir Aronovich

(74) *Attorney, Agent, or Firm*—Nath Law Group; Jerald L. Meyer; Derek Richmond

(57) **CLAIM**

The ornamental design for a camcorder, as shown and described.

**DESCRIPTION**

FIG. 1 is a front, top and right side perspective view of a camcorder showing our new design;

FIG. 2 is a rear, top and left side perspective view thereof;

FIG. 3 is a rear perspective view thereof showing the article with its monitor panel open;

FIG. 4 is a front elevational view thereof;

FIG. 5 is a rear elevational view thereof;

FIG. 6 is a left side elevational view thereof;

FIG. 7 is a right side elevational view thereof;

FIG. 8 is a top plan view thereof; and,

FIG. 9 is a bottom plan view thereof.

The broken line showing on the drawing disclosure is for illustrative purposes only and forms no part of the claimed design. The line consisting of alternating long lines and short lines in the lower left portion of FIG. 9 indicates the conceptual border line between the claimed portions and the unclaimed portion.

**1 Claim, 9 Drawing Sheets**

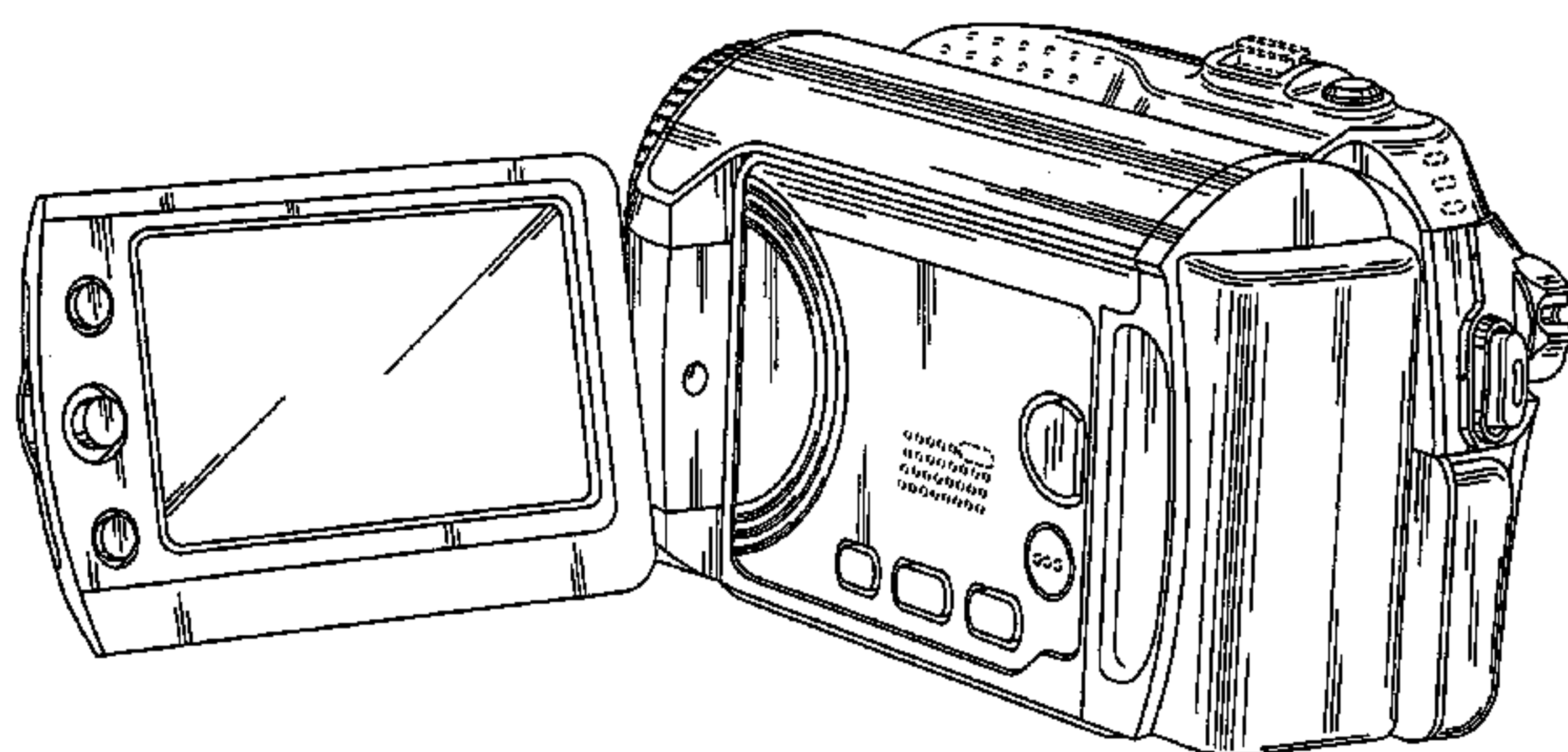
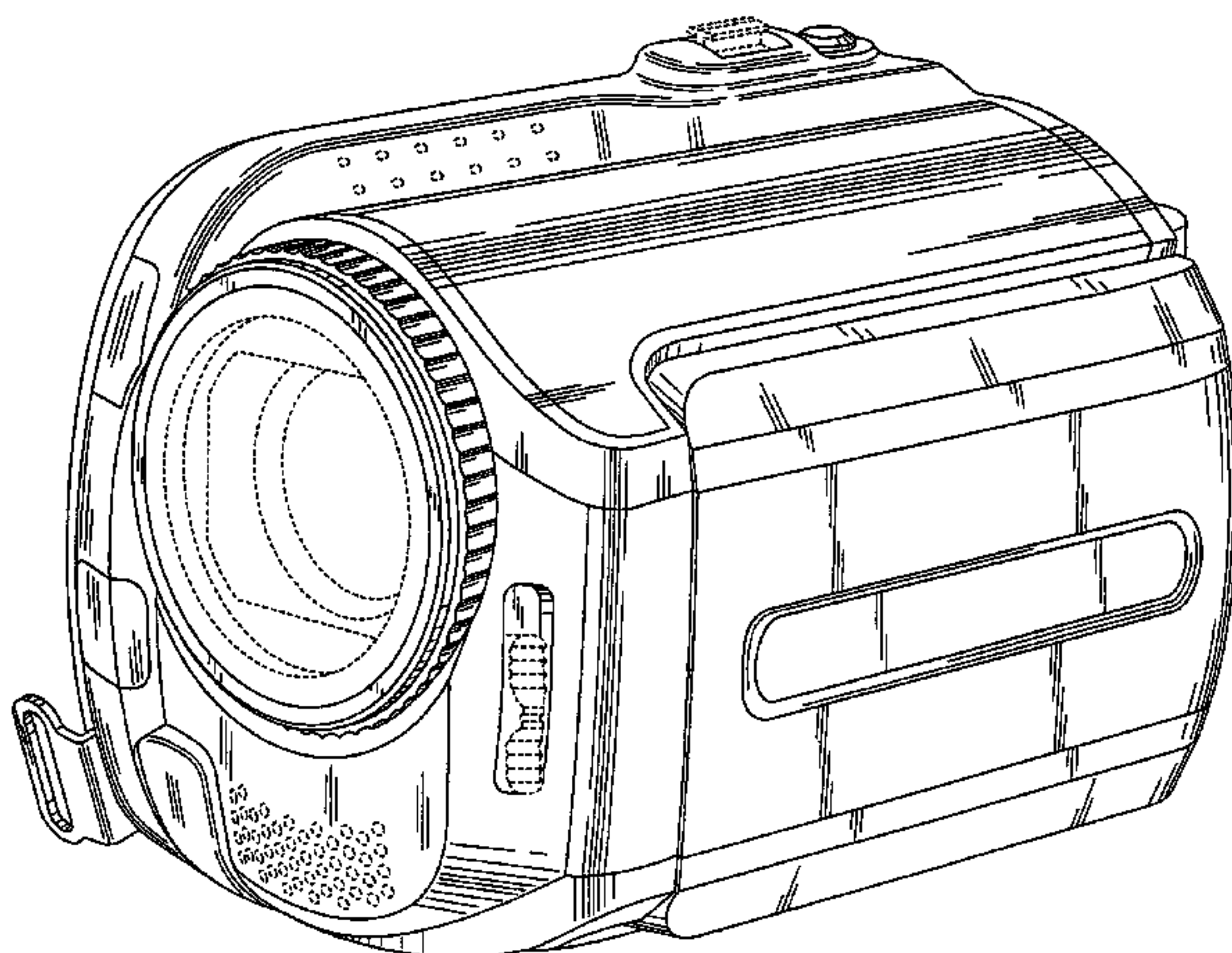
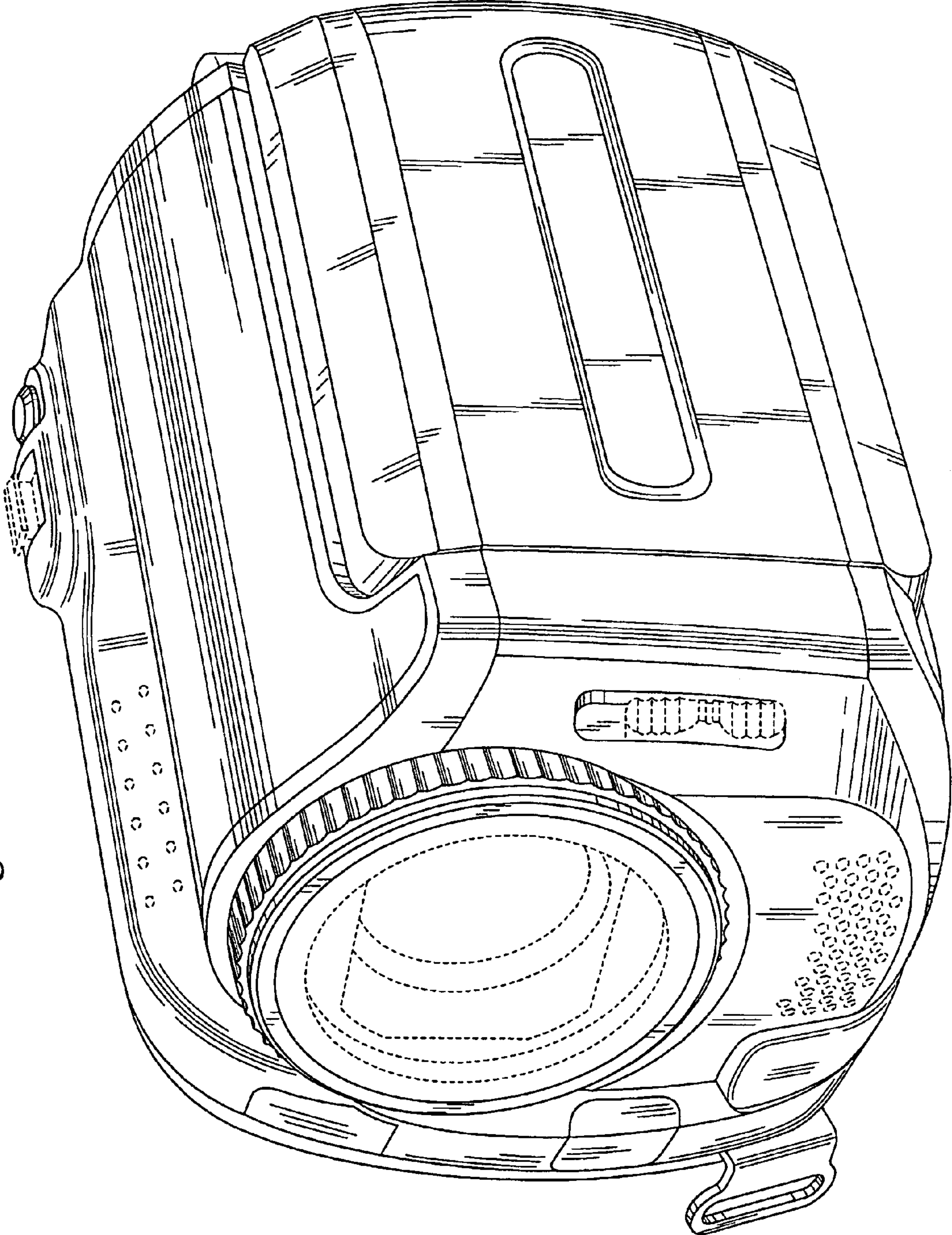


Fig. 1



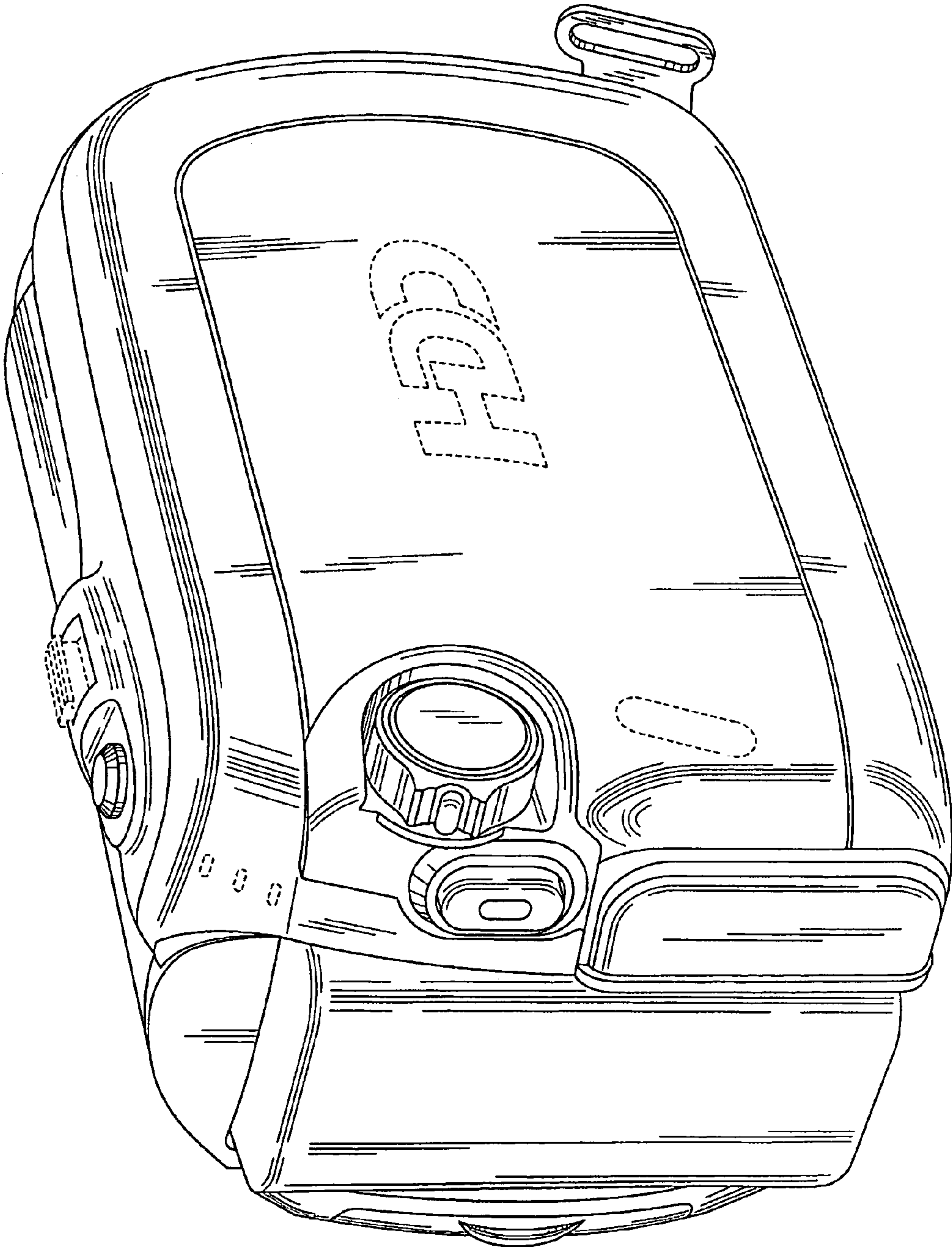


Fig.2



Fig.3

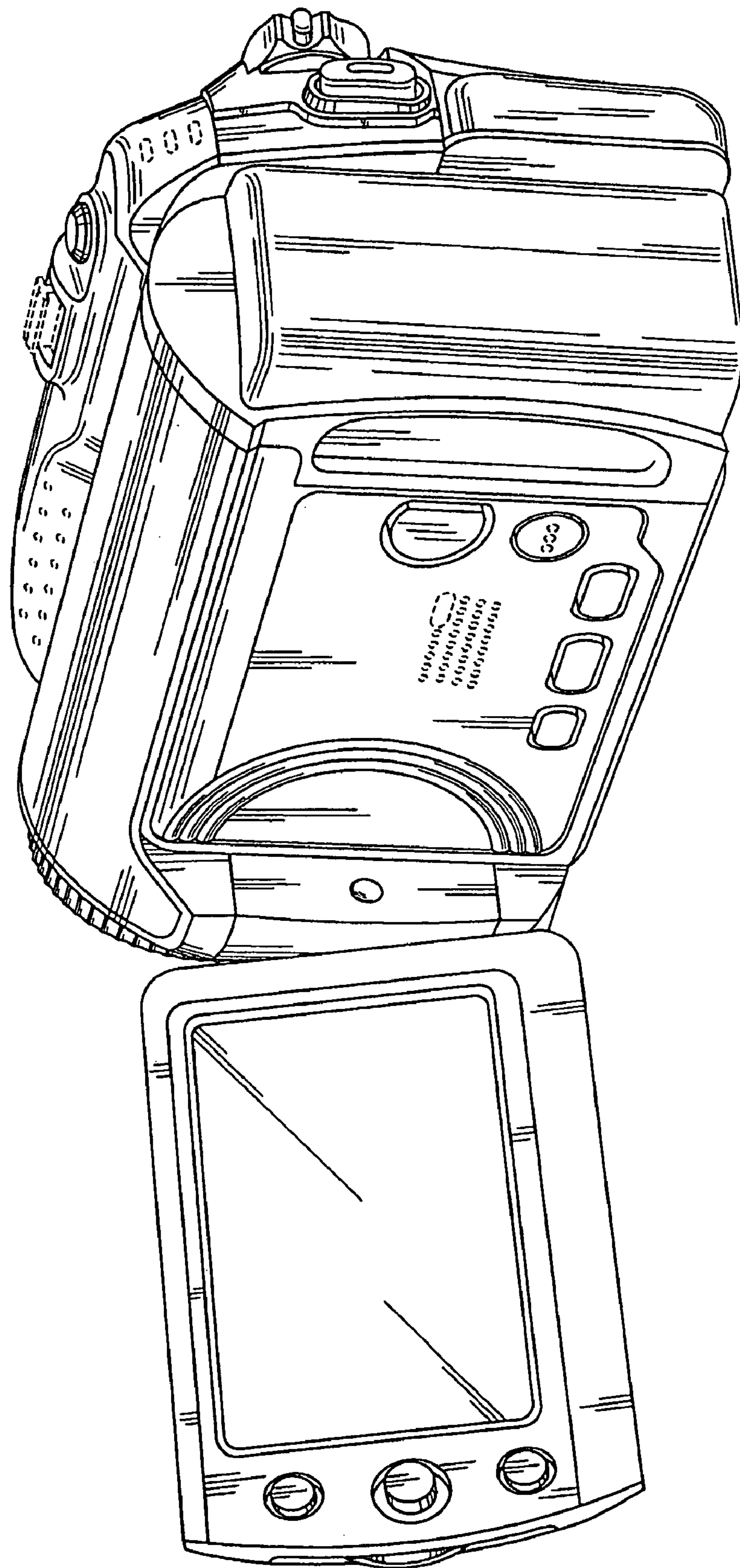


Fig.4

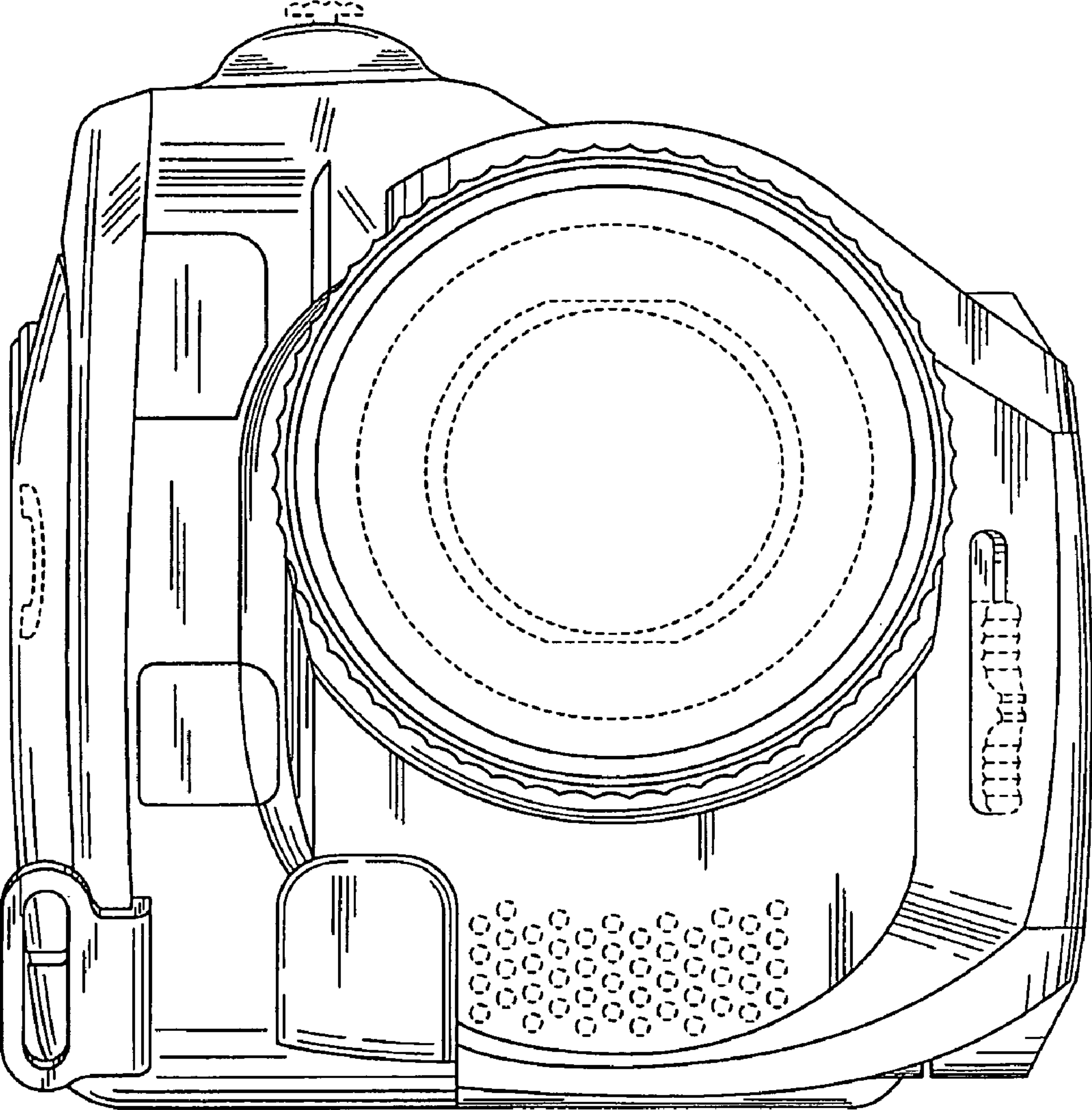


Fig.5

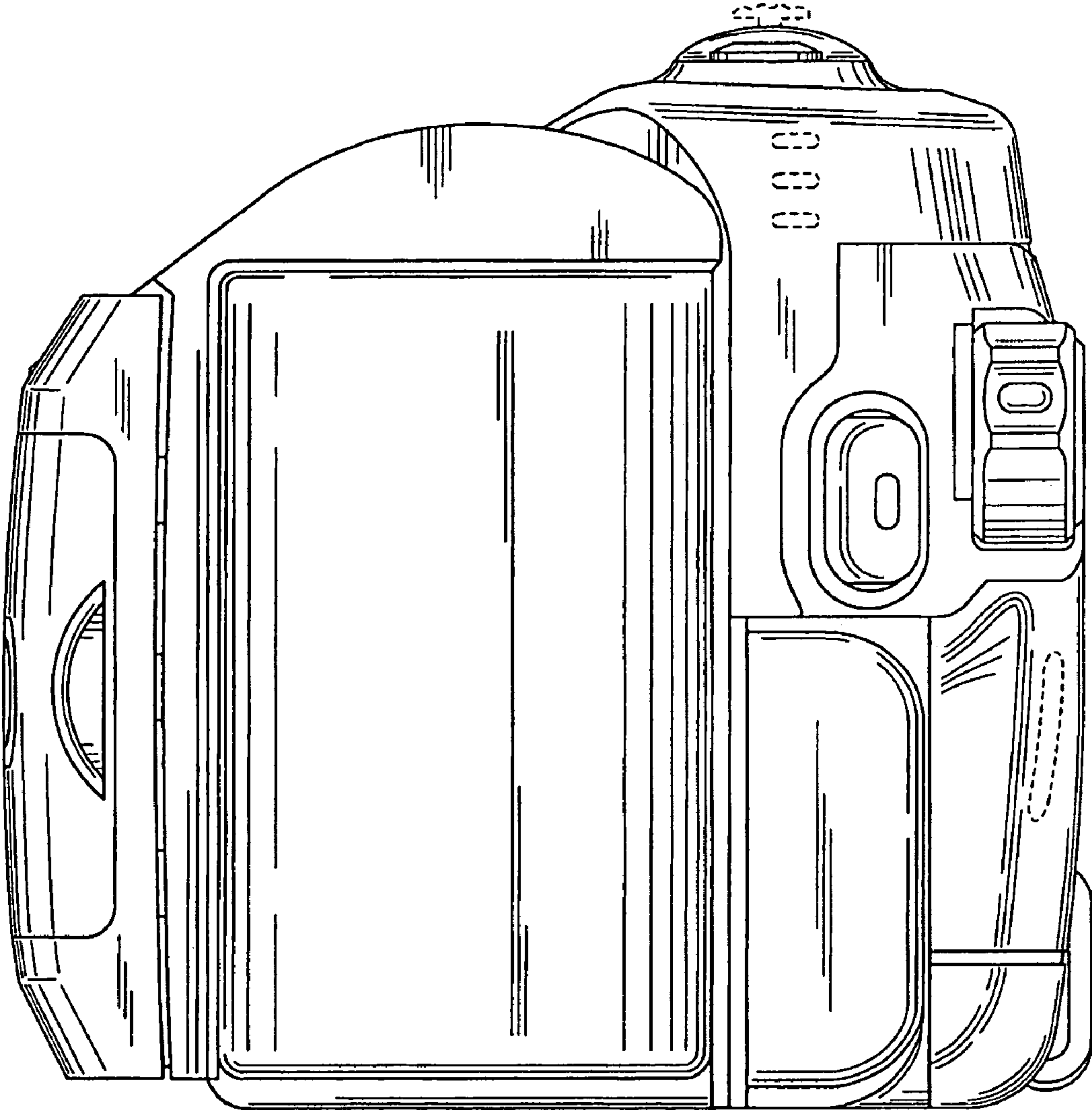


Fig.6

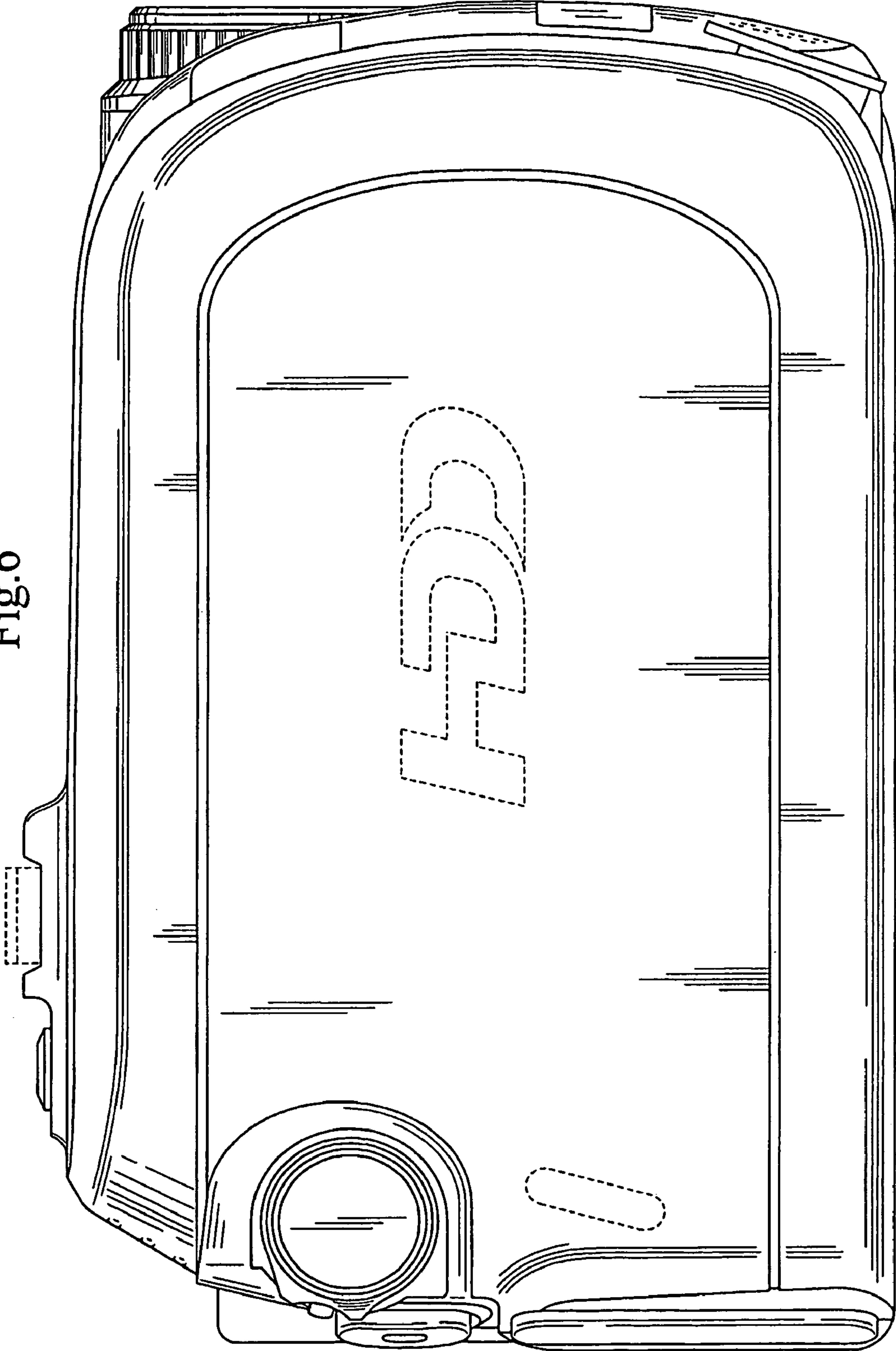




Fig. 7

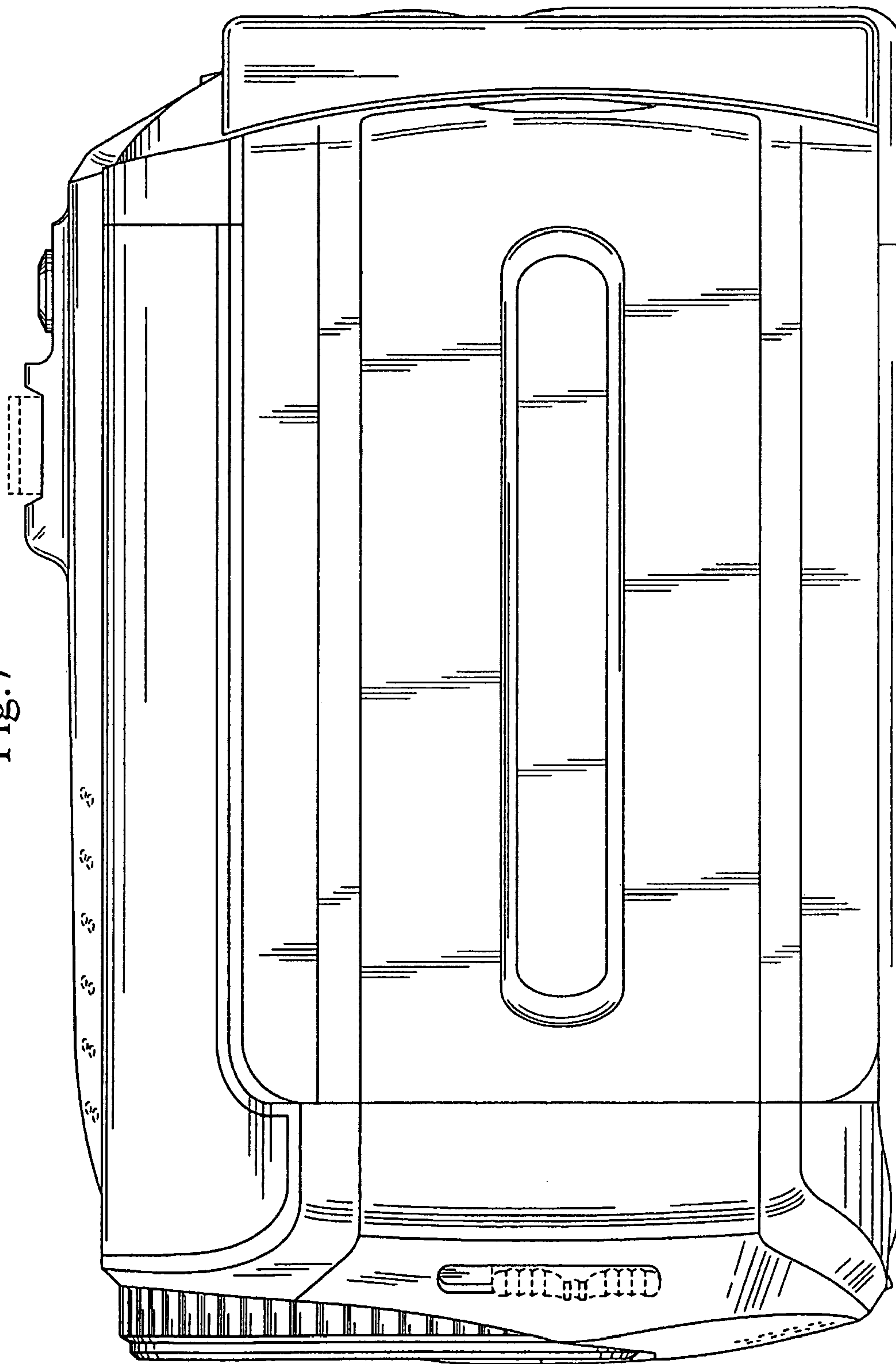




Fig.8

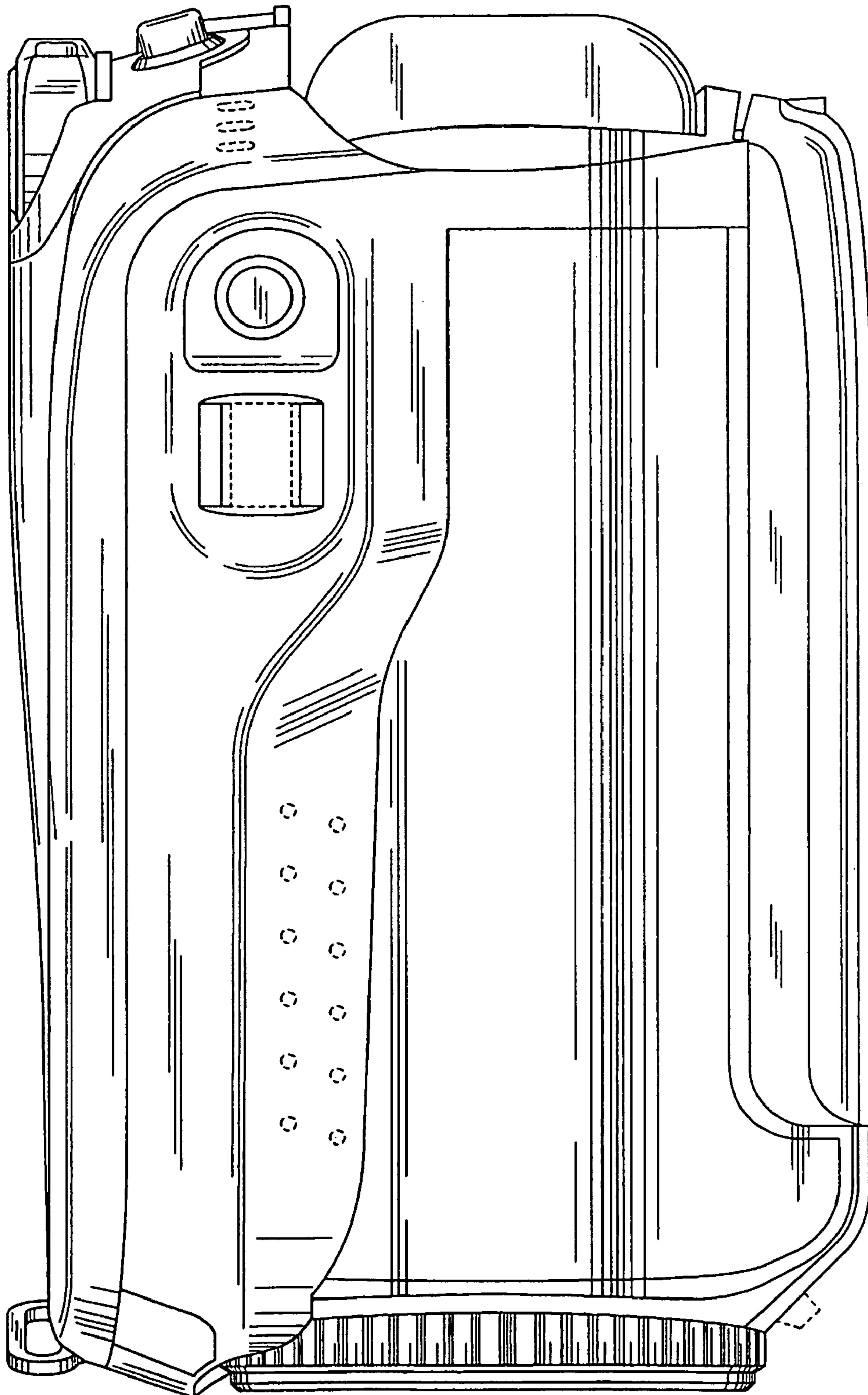


Fig.9

