



US00D576186S

(12) **United States Design Patent**
Rosso et al.

(10) **Patent No.:** **US D576,186 S**
(45) **Date of Patent:** **** Sep. 2, 2008**

(54) **MIXER FOR VISCOUS MATERIALS**

(75) Inventors: **Aaron Charles Rosso**, Chicago, IL (US); **Matthew Earle Myers**, Naperville, IL (US); **Joseph Z. Wascow**, Mundelein, IL (US); **Brian A. Retzke**, Chicago, IL (US); **Salvatore C. Immordino, Jr.**, Trevor, WI (US); **Terry L. Rosenstiel**, Vernon Hills, IL (US); **Scott Fong**, Brisbane (AU)

(73) Assignee: **United States Gypsum Company**, Chicago, IL (US)

(**) Term: **14 Years**

(21) Appl. No.: **29/289,750**

(22) Filed: **Jul. 31, 2007**

(51) **LOC (8) Cl.** **15-09**

(52) **U.S. Cl.** **D15/138; D15/147**

(58) **Field of Classification Search** D7/376, D7/379, 387, 412; D15/126, 132, 138, 139, D15/147; 68/213; 134/140, 147, 149, 152, 134/157, 900; 366/65, 81, 129, 135, 185, 366/246, 250, 251, 262, 265, 293, 303, 305, 366/317, 320, 321, 327, 327.3, 329, 329.1, 366/347, 605; 416/231 A; 422/135; 526/65
See application file for complete search history.

(56) **References Cited**

U.S. PATENT DOCUMENTS

656,123	A	8/1900	Kemp	
3,251,579	A	5/1966	Lasar	
4,627,735	A	12/1986	Rose et al.	
5,030,011	A	7/1991	Kronberg	
5,046,245	A	9/1991	Weetman et al.	
5,297,938	A *	3/1994	Von Essen et al.	416/237
5,326,168	A	7/1994	Miura	
5,382,092	A	1/1995	Okamoto et al.	
5,403,091	A *	4/1995	Thomas	366/279

5,470,148	A	11/1995	Gorr et al.	
D366,596	S *	1/1996	Hewin	D7/412
5,549,384	A *	8/1996	Reynolds	366/299
5,951,162	A *	9/1999	Weetman et al.	366/328.1
6,068,395	A *	5/2000	Ondracek	366/129
6,250,797	B1 *	6/2001	Weetman	366/270
6,334,705	B1 *	1/2002	Weetman	366/330.1
6,350,054	B1 *	2/2002	Lee et al.	366/325.92
6,419,385	B1	7/2002	Walls	
6,612,733	B2	9/2003	Schmidt et al.	
6,866,414	B2 *	3/2005	Kupidlowski	366/330.3
D566,143	S *	4/2008	Rosso et al.	D15/147
2003/0107950	A1	6/2003	Shepherd et al.	

FOREIGN PATENT DOCUMENTS

JP 6170202 6/1994

* cited by examiner

Primary Examiner—Sandra Snapp

Assistant Examiner—Patricia Palasik

(74) *Attorney, Agent, or Firm*—Greer, Burns & Crain, Ltd.; David F. Janci, Esq.; Pradip Sahu, Esq.

(57) **CLAIM**

The ornamental design for a mixer for viscous materials, as shown and described.

DESCRIPTION

FIG. 1 is a top perspective view of a mixer for viscous materials;

FIG. 2 is a front side view of the mixer;

FIG. 3 is a right side view of the mixer;

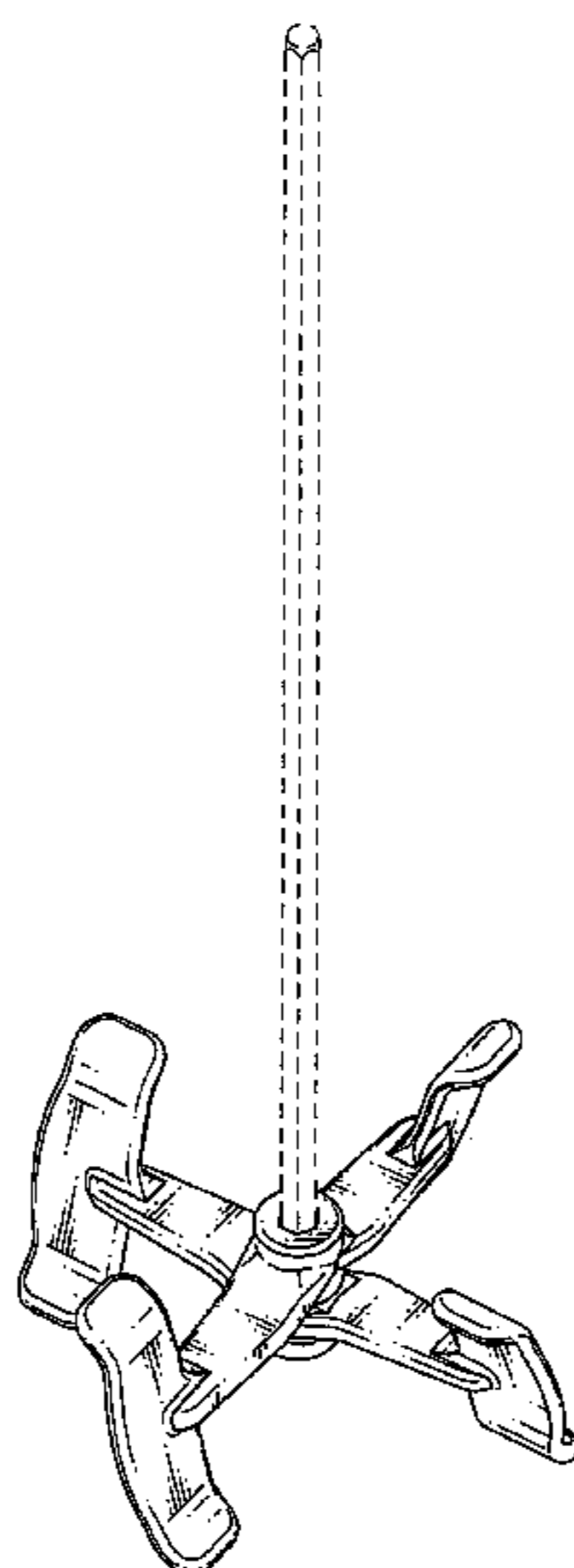
FIG. 4 is a rear view of the mixer;

FIG. 5 is a top view of the mixer; and,

FIG. 6 is a bottom view of the mixer.

The subject matter depicted in broken lines is not intended to be part of the claimed invention and is shown only for environment purposes.

1 Claim, 5 Drawing Sheets



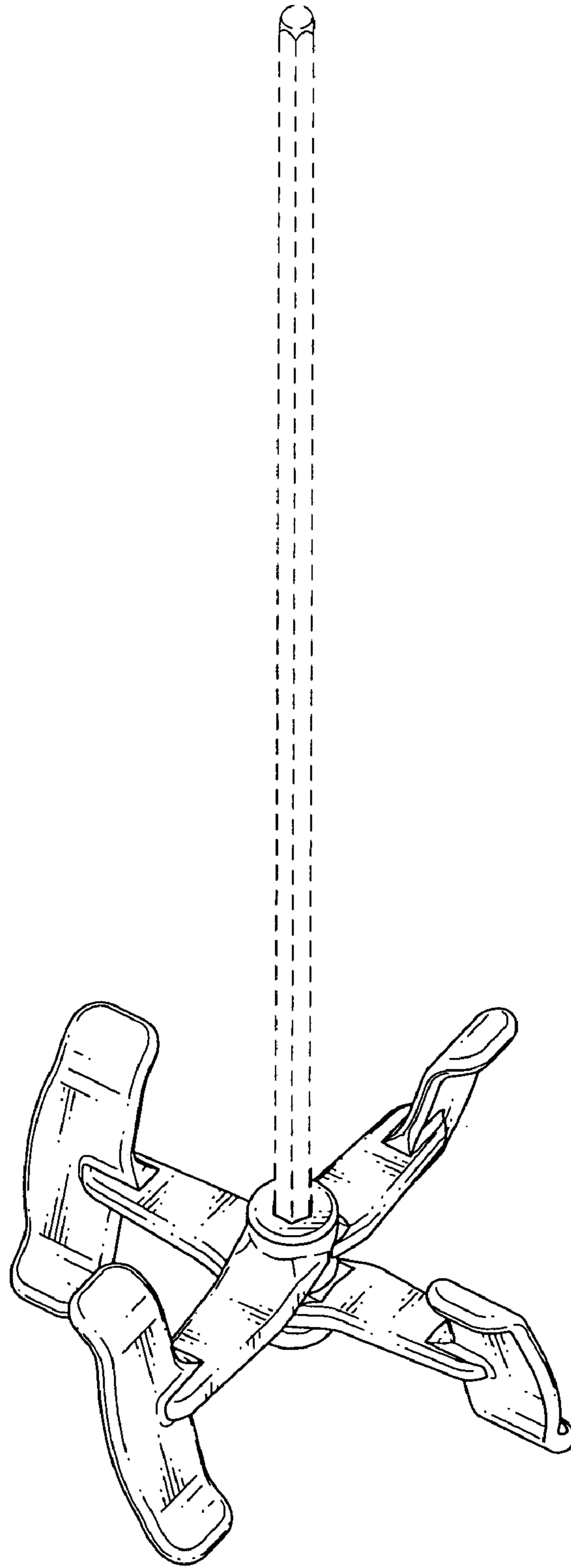


FIG. 1

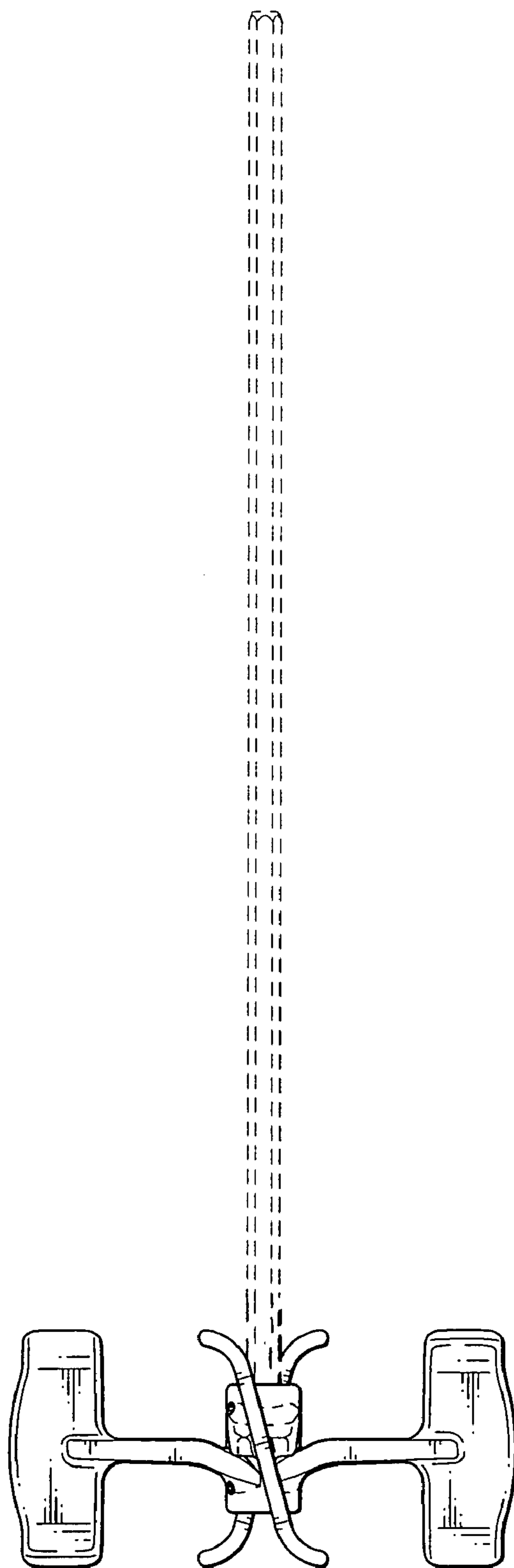


FIG. 2

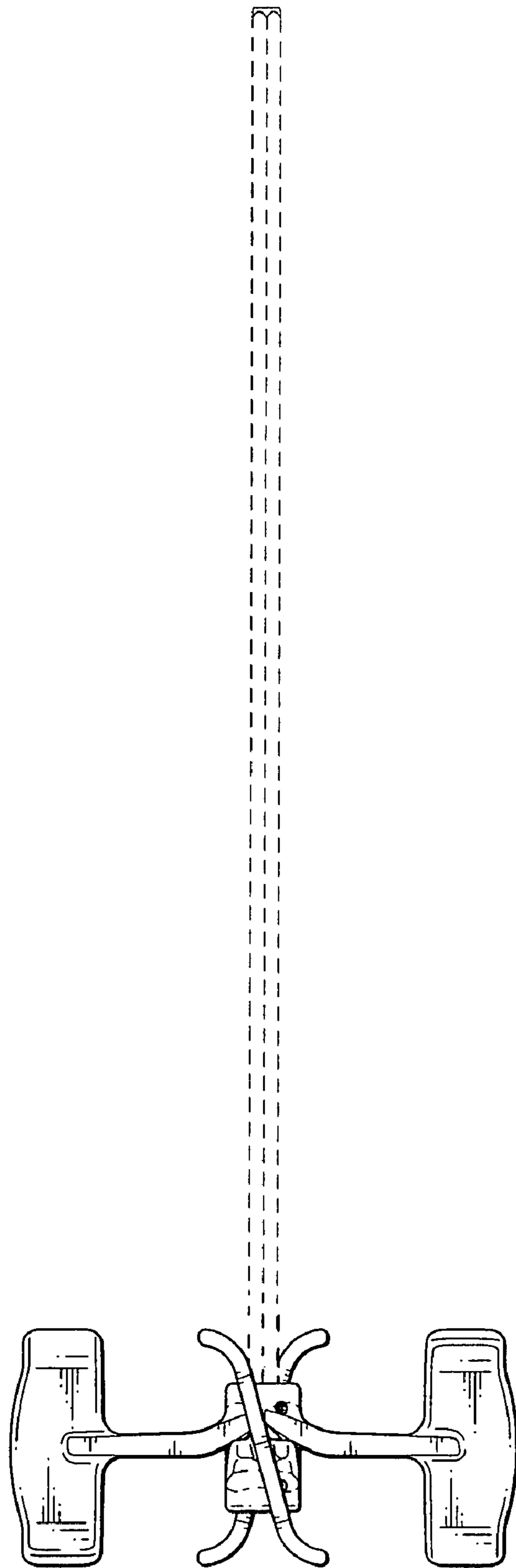


FIG. 3

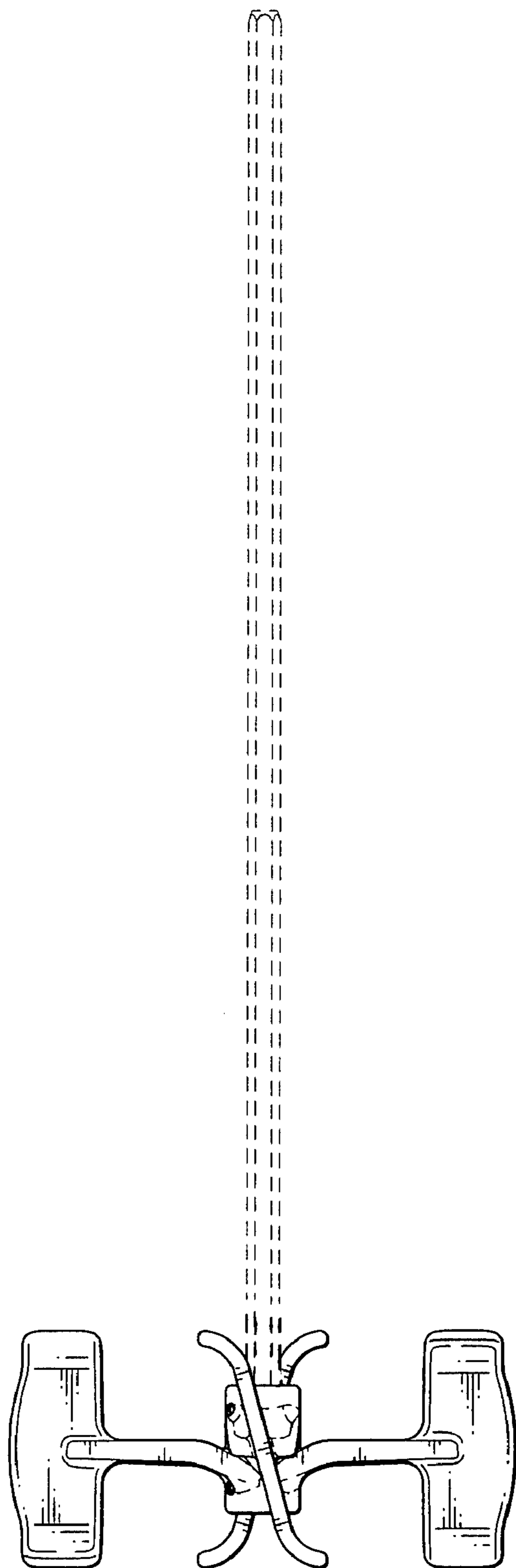


FIG. 4

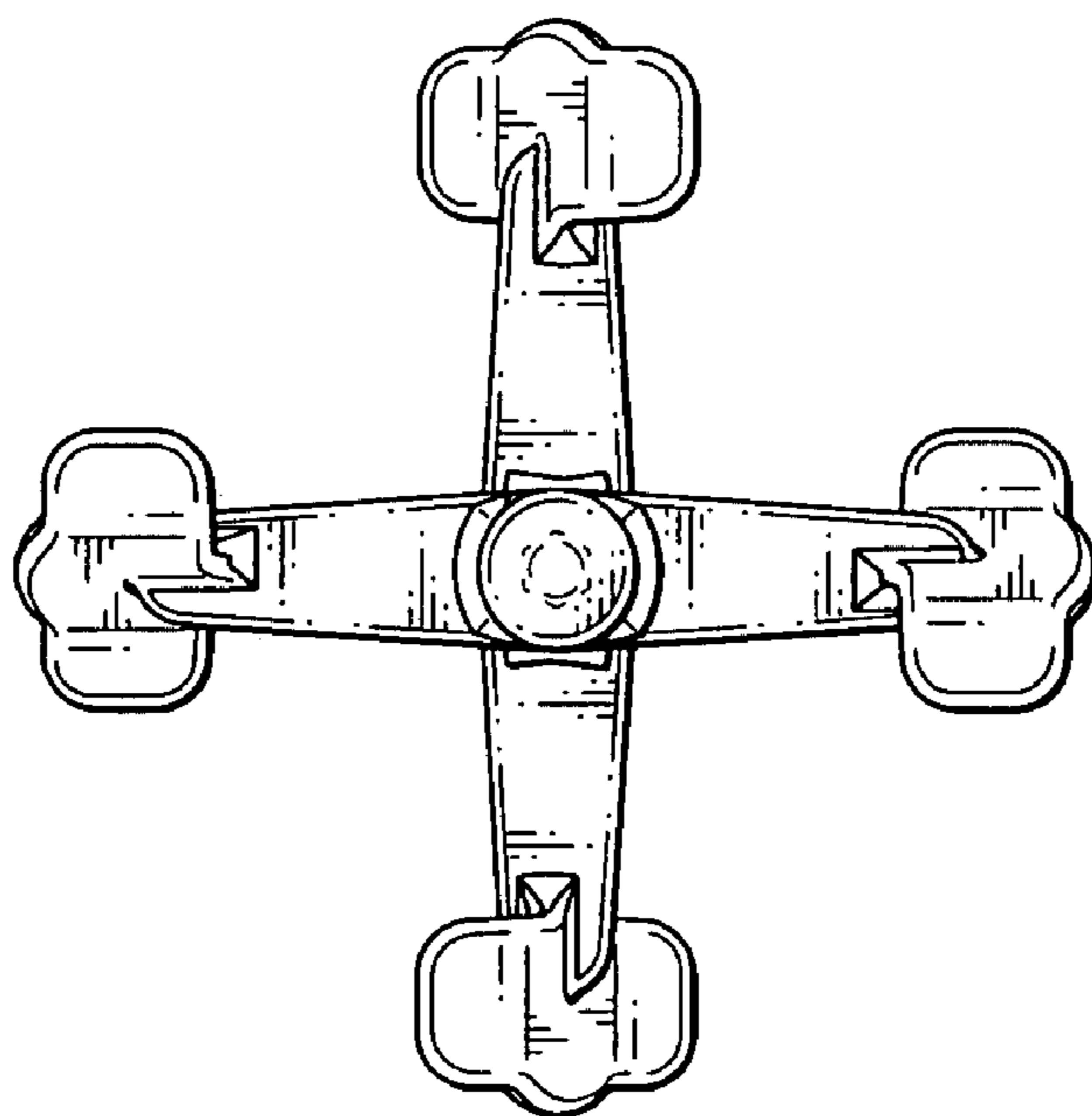


FIG. 5

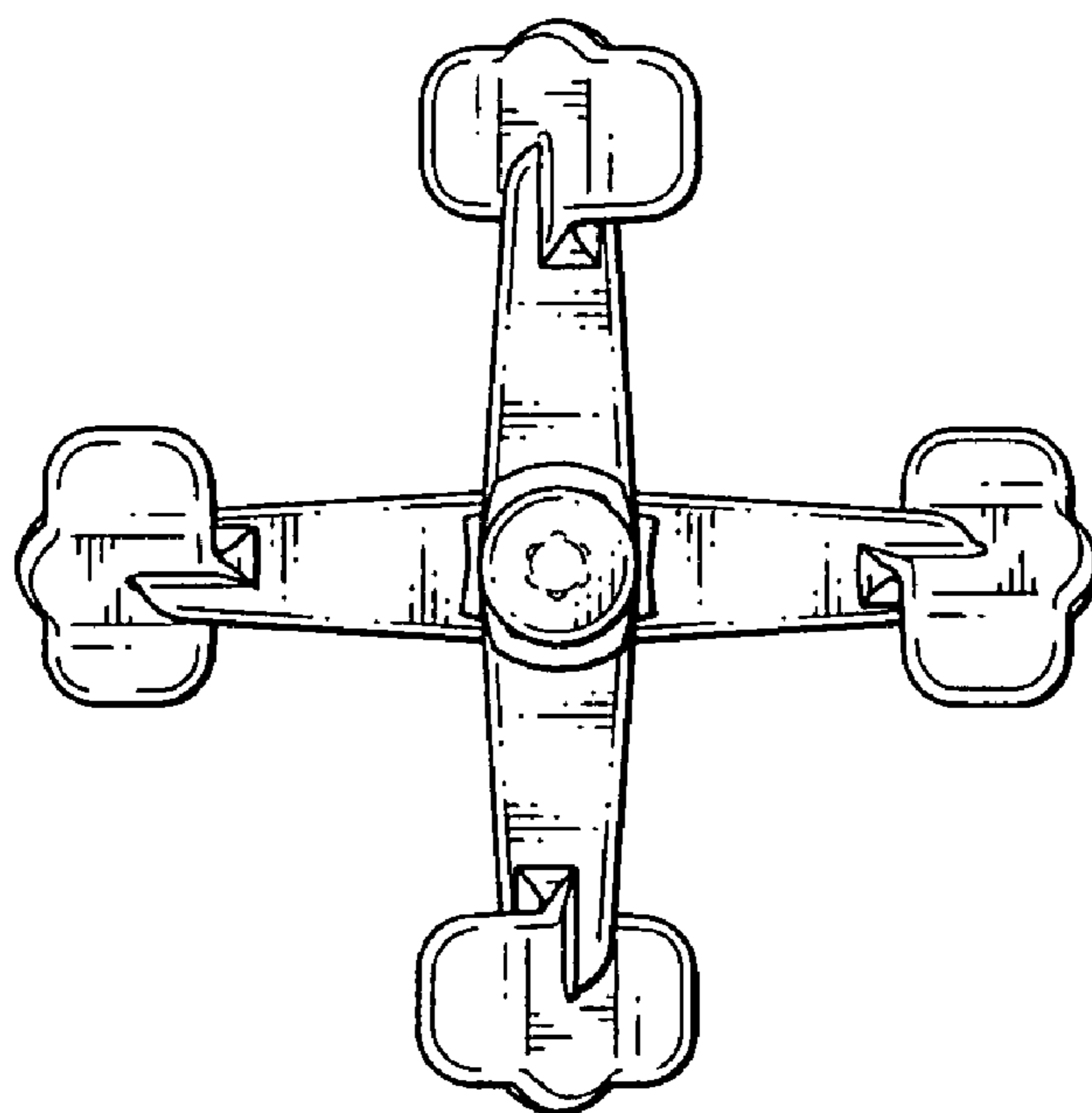


FIG. 6