



US00D576184S

(12) **United States Design Patent**  
**Crookshanks**

(10) **Patent No.:** **US D576,184 S**  
(45) **Date of Patent:** **\*\* Sep. 2, 2008**

(54) **PORTION OF AN APPLIANCE**

(75) **Inventor:** **Kent Allen Stephen Crookshanks,**  
Anderson, SC (US)

(73) **Assignee:** **Electrolux Home Products, Inc.,**  
Cleveland, OH (US)

(\*\*) **Term:** **14 Years**

(21) **Appl. No.:** **29/297,507**

(22) **Filed:** **Nov. 13, 2007**

(51) **LOC (8) Cl.** ..... **15-07**

(52) **U.S. Cl.** ..... **D15/91**

(58) **Field of Classification Search** ..... D15/79,  
D15/81, 85-89, 91; 62/3.1, 3.6, 125, 126;  
312/116, 400-406

See application file for complete search history.

(56) **References Cited**

**U.S. PATENT DOCUMENTS**

D281,883 S *	12/1985	Carter et al. ....	D15/91
D461,199 S *	8/2002	Resuello et al. ....	D15/91
D474,210 S *	5/2003	Jones et al. ....	D15/91
D474,211 S *	5/2003	Jones et al. ....	D15/91
D495,722 S *	9/2004	Avalos Barcenas et al. ..	D15/91
D500,058 S *	12/2004	Tunzi .....	D15/91
D538,310 S *	3/2007	Avalos Barcenas et al. ..	D15/91

D553,166 S *	10/2007	Busalt et al. ....	D15/91
D562,362 S *	2/2008	Bissig et al. ....	D15/91
D567,261 S *	4/2008	Crookshanks .....	D15/91
D567,262 S *	4/2008	Crookshanks .....	D15/91

\* cited by examiner

*Primary Examiner*—Stella M. Reid

*Assistant Examiner*—Shanda C Hill

(74) *Attorney, Agent, or Firm*—Banner & Witcoff, Ltd.

(57) **CLAIM**

The ornamental design for a portion of an appliance, as shown and described.

**DESCRIPTION**

FIG. 1 is a front perspective view of a portion of an appliance showing my new design;

FIG. 2 is a front view thereof;

FIG. 3 is a right side view thereof;

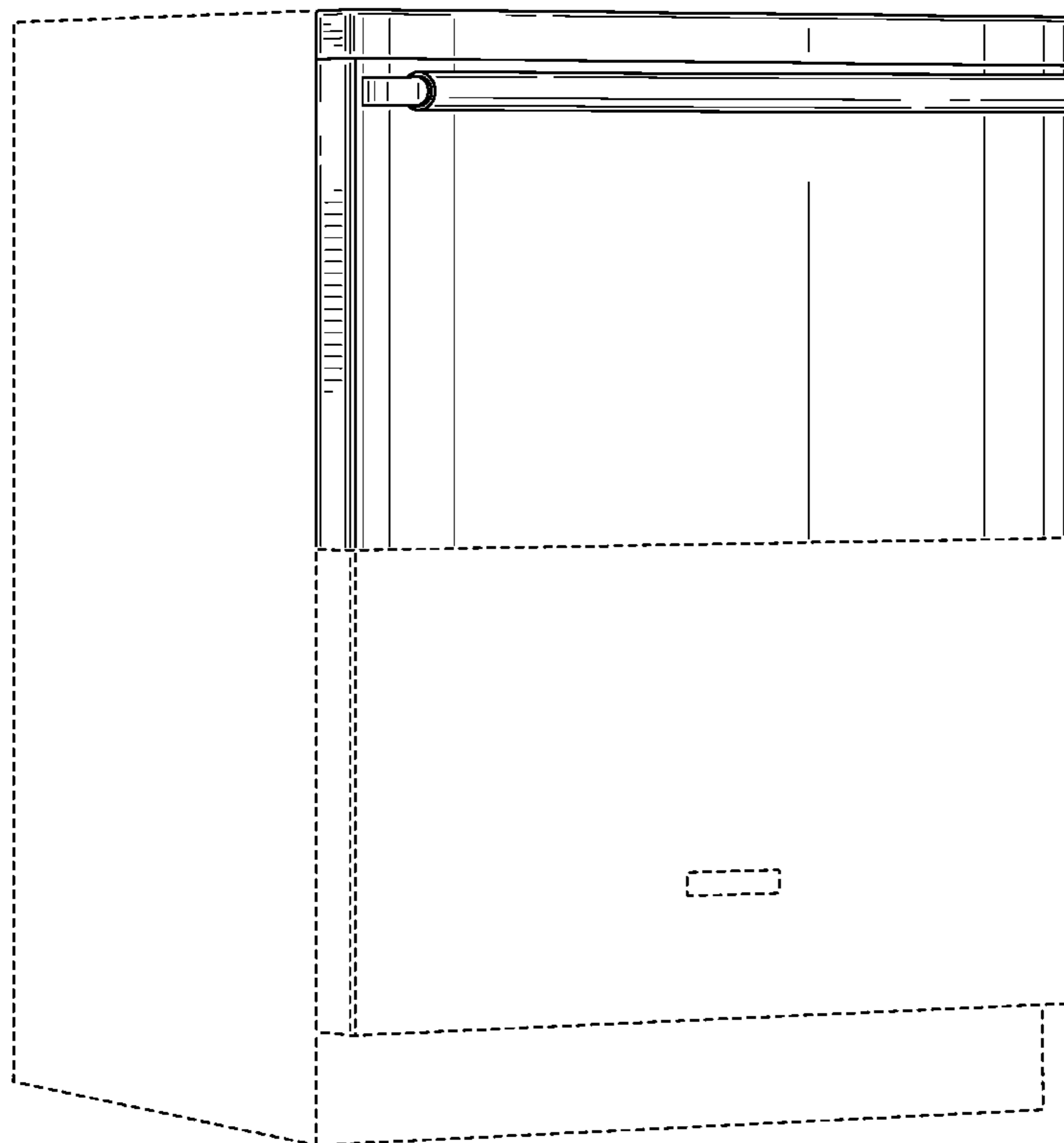
FIG. 4 is a left side view thereof;

FIG. 5 is a top view thereof; and,

FIG. 6 is a bottom view thereof.

The broken lines shown in the drawing disclosure are for illustrative purposes only and form no part of the claimed design.

**1 Claim, 5 Drawing Sheets**



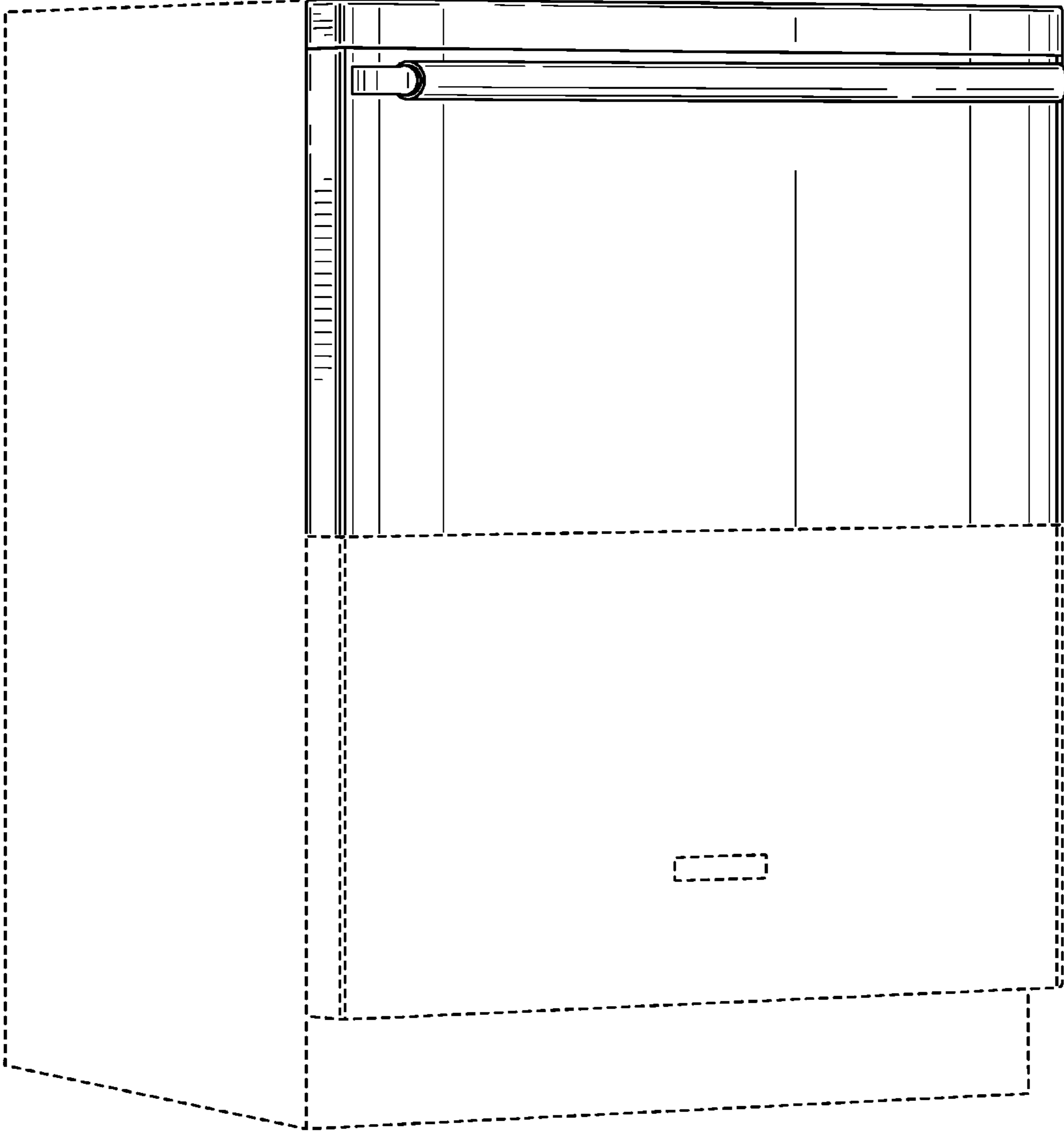


FIG. 1

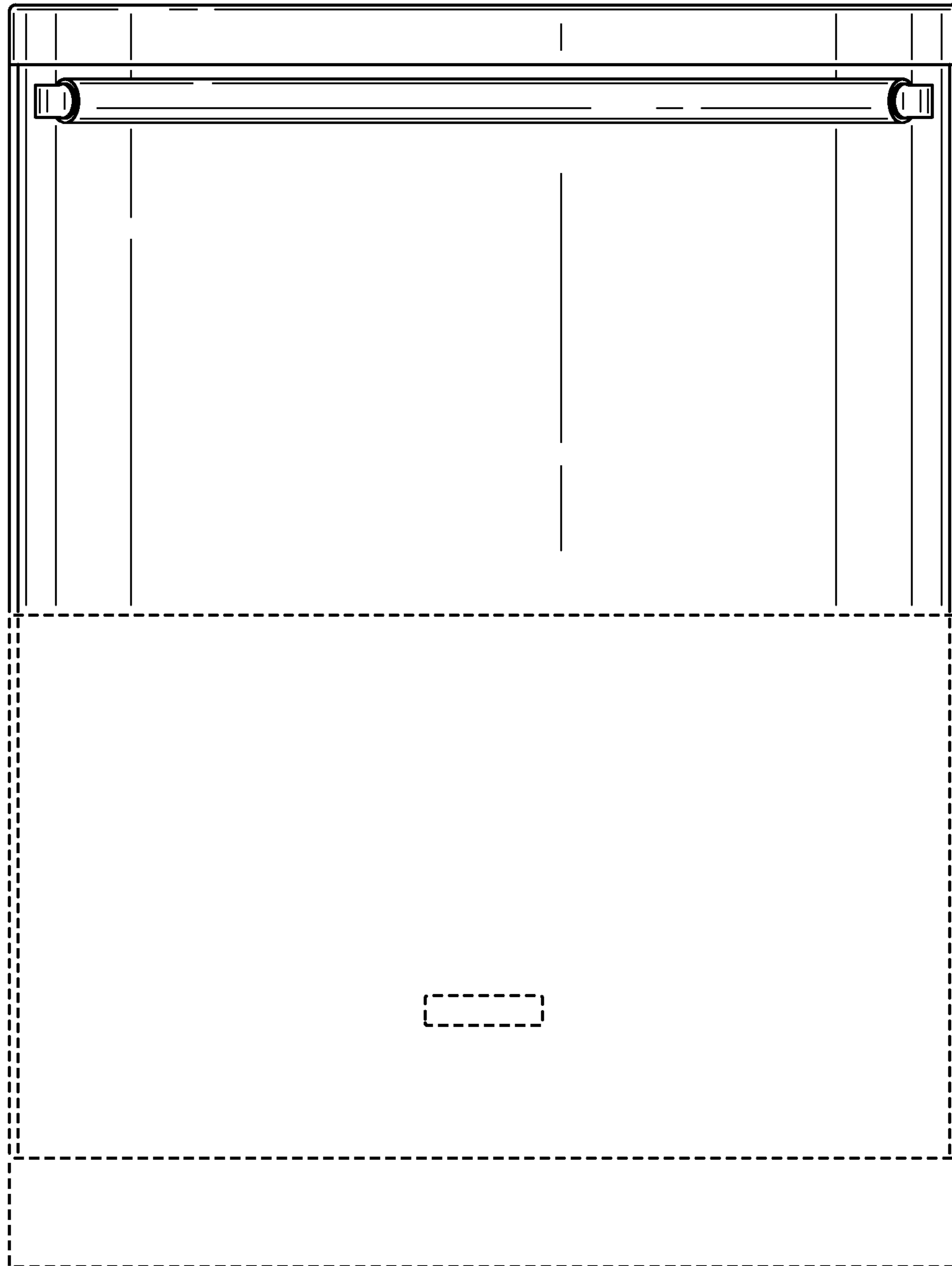


FIG. 2

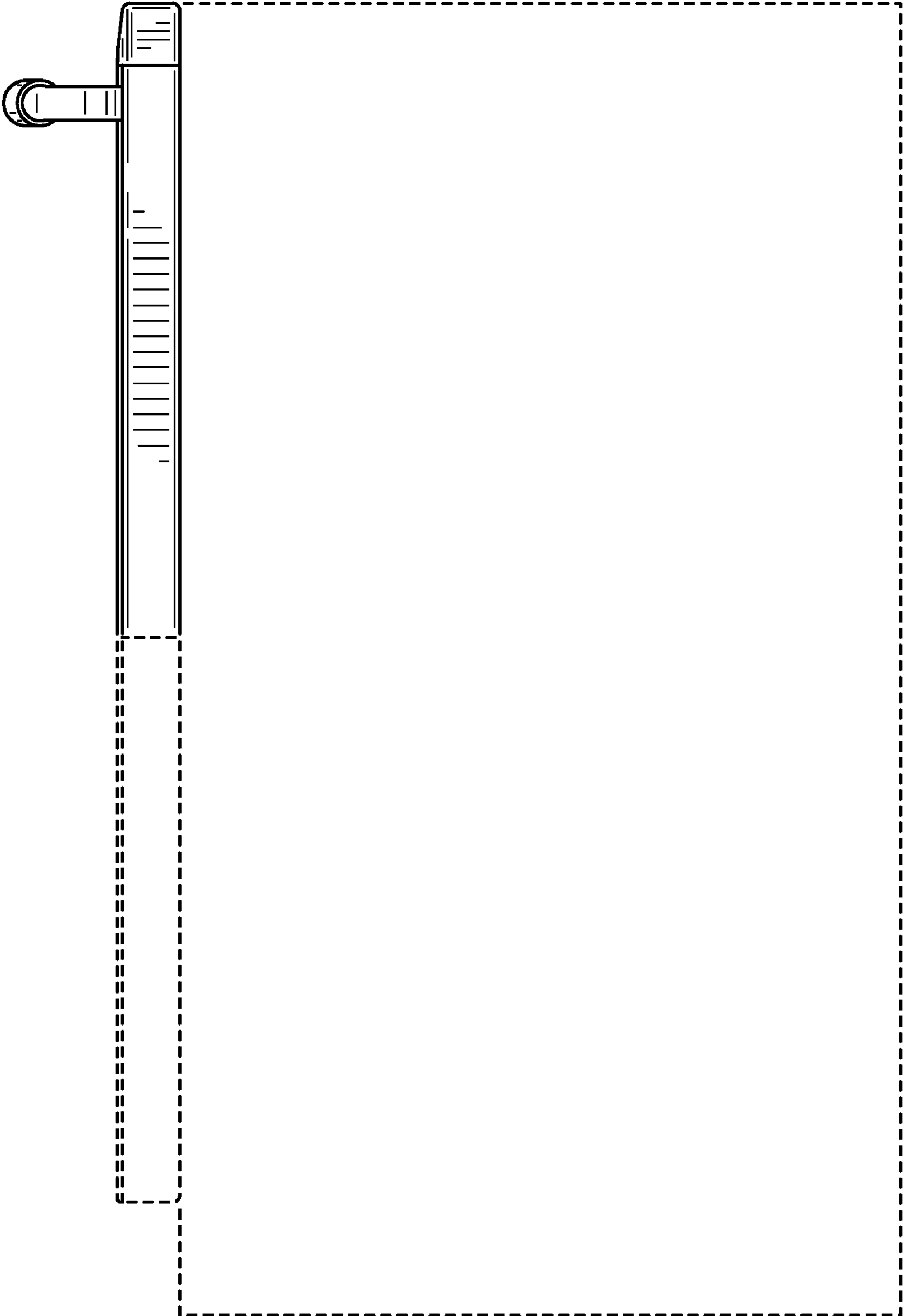


FIG. 3

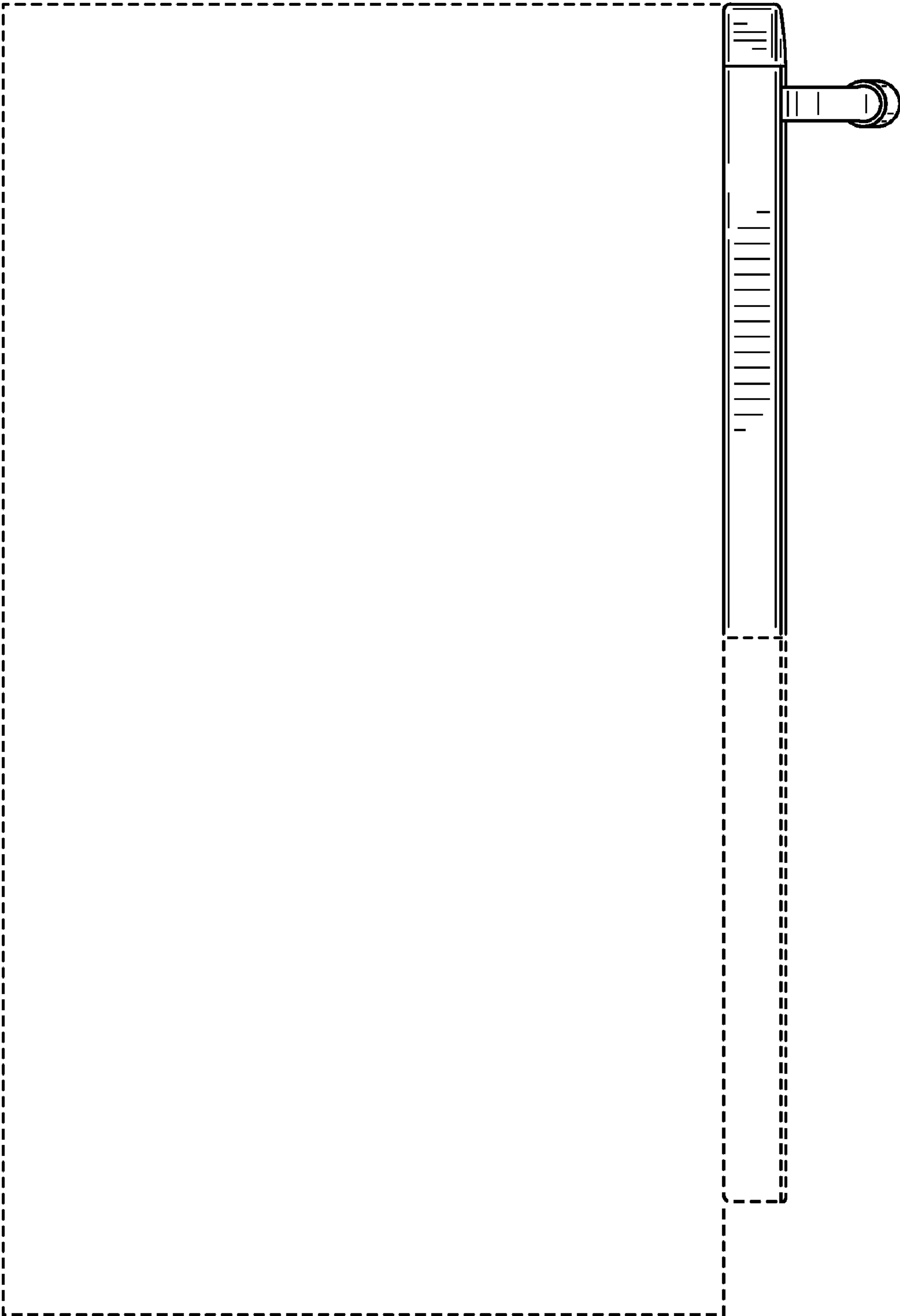


FIG. 4

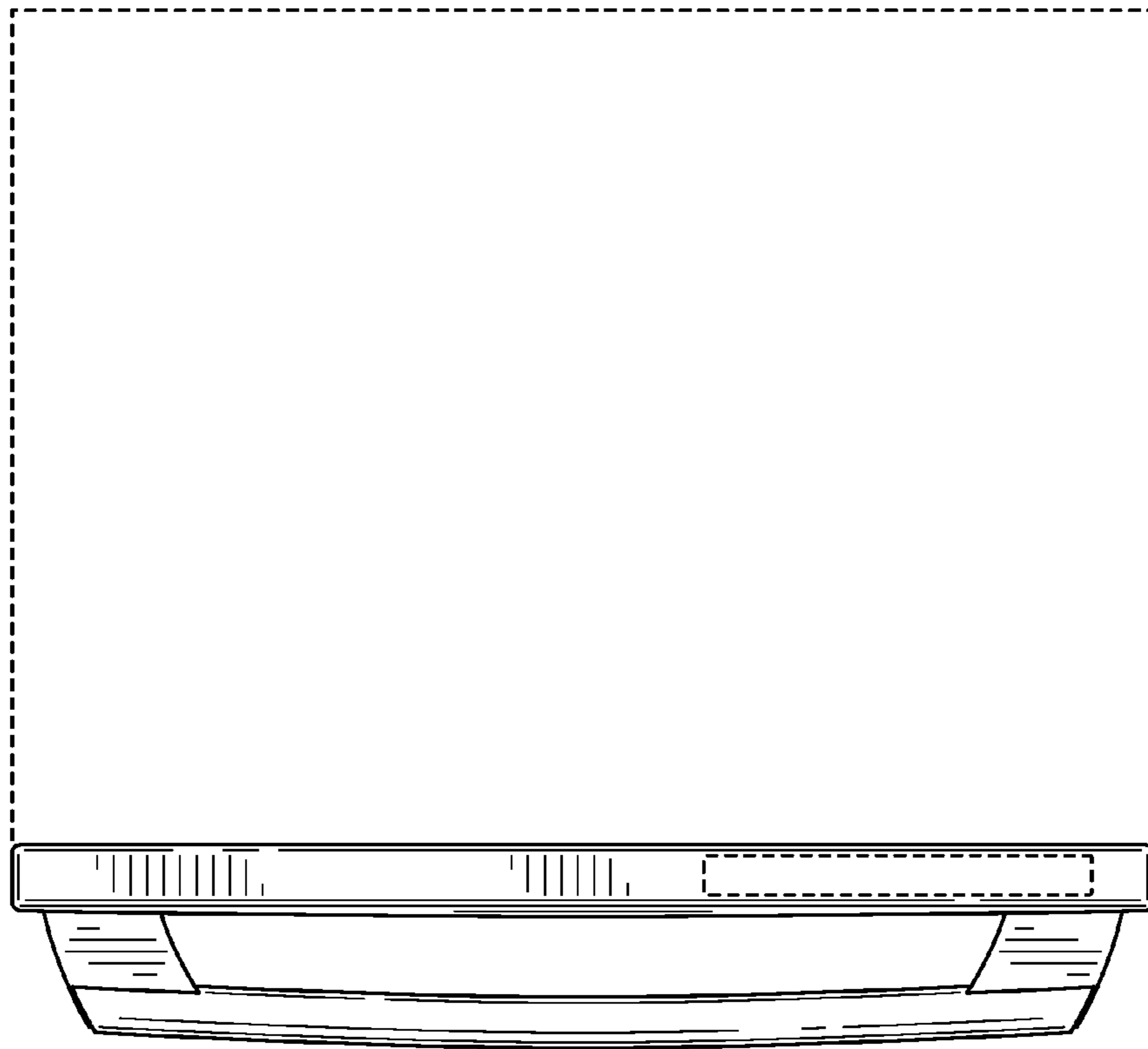


FIG. 5

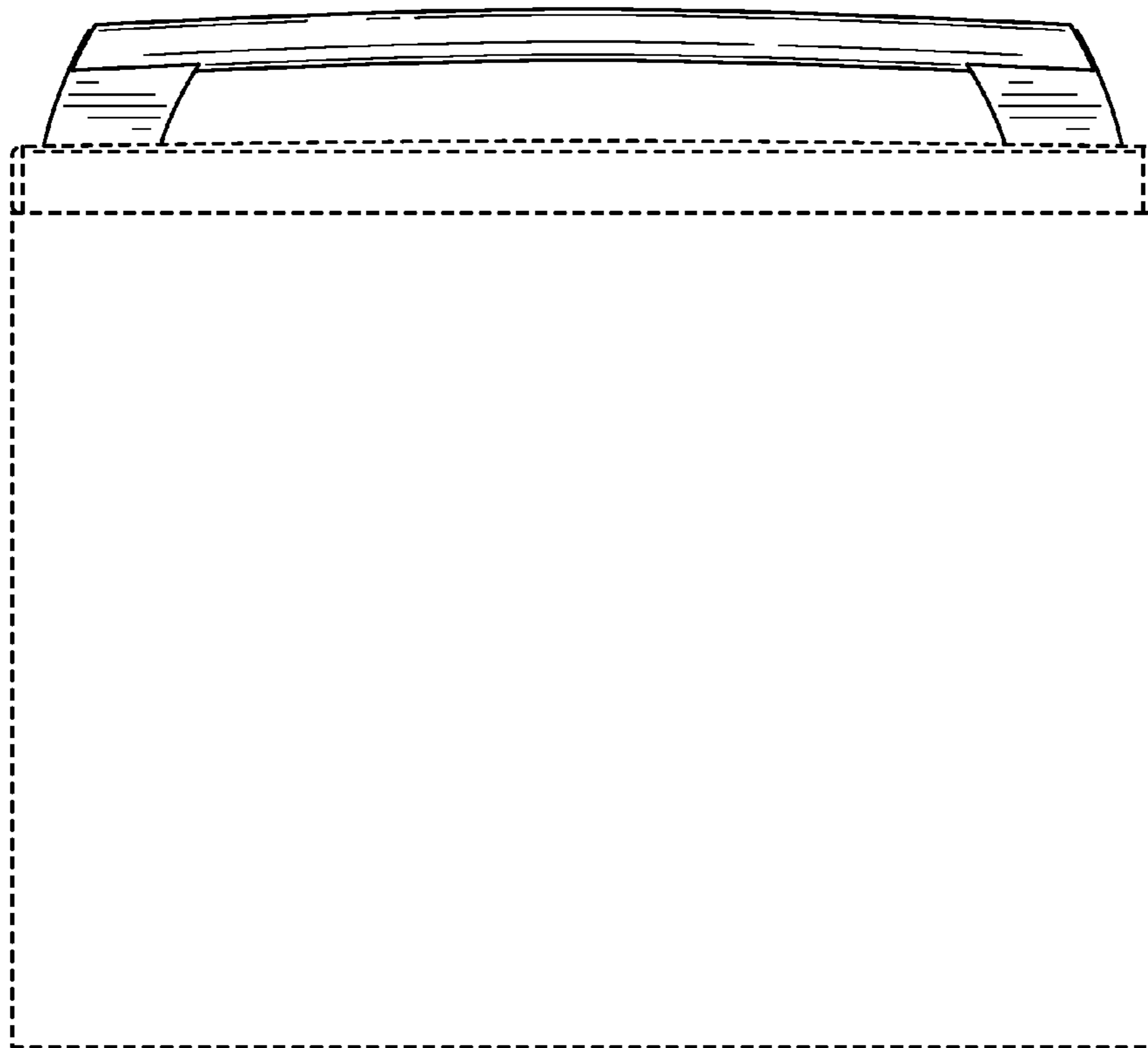


FIG. 6