



US00D576182S

(12) **United States Design Patent**  
**Murakami et al.**

(10) **Patent No.:** **US D576,182 S**  
(45) **Date of Patent:** **\*\* Sep. 2, 2008**

(54) **TRAVELING BODY FOR CONSTRUCTION MACHINE**

FOREIGN PATENT DOCUMENTS

(75) Inventors: **Masaaki Murakami**, Hiroshima (JP);  
**Shintaro Sakitani**, Hiroshima (JP)

JP 1002843 2/1998  
JP 1002843-1 3/1999

(Continued)

(73) Assignee: **Kobelco Construction Machinery Co., Ltd.**, Hiroshima-shi (JP)

OTHER PUBLICATIONS

U.S. Appl. No. 29/282,799, filed Jul. 30, 2007, Murakami, et al.

(\*\*) Term: **14 Years**

(Continued)

(21) Appl. No.: **29/282,816**

*Primary Examiner*—Stella M. Reid  
*Assistant Examiner*—Mark A Goodwin

(22) Filed: **Jul. 30, 2007**

(74) *Attorney, Agent, or Firm*—Oblon, Spivak, McClelland, Maier & Neustadt, P.C.

(30) **Foreign Application Priority Data**

Jan. 31, 2007 (JP) ..... D2007-001918  
Jan. 31, 2007 (JP) ..... D2007-001922  
Jan. 31, 2007 (JP) ..... D2007-001926

(57) **CLAIM**

The ornamental design for a traveling body for construction machine, as shown and described.

(51) **LOC (8) Cl.** ..... **15-03**

(52) **U.S. Cl.** ..... **D15/28**

(58) **Field of Classification Search** ..... D15/10,  
D15/22–26, 28, 30, 33; 296/193.03, 193.08;  
172/611, 776; 180/69.24, 89.1, 89.12, 89.13,  
180/900, 326; 37/443, 379; 414/601, 602,  
414/685, 687, 688, 694, 722–724, 699, 680,  
414/698, 719, 743

See application file for complete search history.

**DESCRIPTION**

FIG. 1 is a first perspective view of a traveling body for construction machine showing our new design;

FIG. 2 is a second perspective view thereof;

FIG. 3 is a front view thereof;

FIG. 4 is a rear view thereof;

FIG. 5 is a left side view thereof;

FIG. 6 is a right side view thereof;

FIG. 7 is a top view thereof; and,

FIG. 8 is a bottom view thereof.

The portion shown by broken lines is for illustrative purposes only and forms no part of the claimed design. The dashed lines show a borderline between the claimed design and other portion.

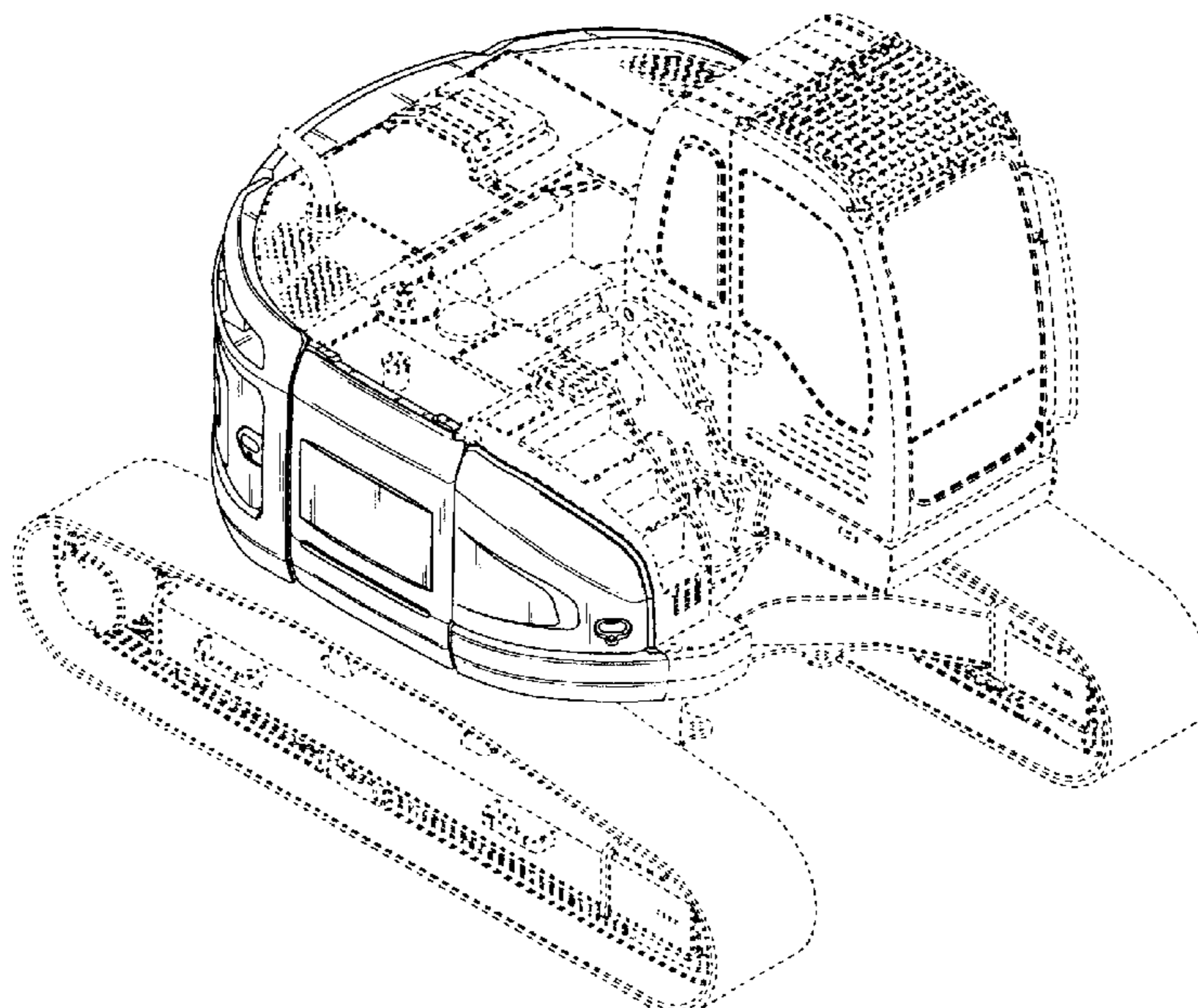
(56) **References Cited**

U.S. PATENT DOCUMENTS

D391,272 S \* 2/1998 Jin et al. .... D15/25  
D406,152 S \* 2/1999 Miyaoka et al. .... D15/25  
D431,253 S \* 9/2000 Marchetta et al. .... D15/25  
D432,144 S \* 10/2000 Kraft et al. .... D15/30  
D432,145 S \* 10/2000 Kraft et al. .... D15/30

(Continued)

**1 Claim, 4 Drawing Sheets**



# US D576,182 S

Page 2

## U.S. PATENT DOCUMENTS

6,135,223 A \* 10/2000 Miyachi et al. .... 180/69.21  
D433,689 S \* 11/2000 Kraft et al. .... D15/30  
D436,605 S \* 1/2001 Shaw et al. .... D15/30  
6,170,588 B1 \* 1/2001 Irino et al. .... 180/89.1  
D440,236 S \* 4/2001 Kraft et al. .... D15/28  
D450,331 S \* 11/2001 Murakami et al. .... D15/25  
D460,974 S \* 7/2002 Murakami et al. .... D15/25  
6,502,896 B1 \* 1/2003 Nakata et al. .... 296/190.05  
D490,444 S \* 5/2004 Kuwae ..... D15/33  
D506,211 S \* 6/2005 Kuwae et al. .... D15/33  
D507,800 S \* 7/2005 Kuwae et al. .... D15/30  
D508,498 S \* 8/2005 Shimokakiuchi et al. .... D15/24  
D510,366 S \* 10/2005 Kuwae et al. .... D15/28  
D518,071 S \* 3/2006 Gwak et al. .... D15/25  
7,036,251 B2 \* 5/2006 Kojima et al. .... 37/466  
D528,568 S \* 9/2006 Kuwae et al. .... D15/28

2004/0200100 A1\* 10/2004 Kojima et al. .... 37/348

## FOREIGN PATENT DOCUMENTS

JP 1002843-2 3/1999  
JP 1033812 3/1999  
JP 1033812-1 3/1999  
JP 1033812-2 3/1999  
JP 11-181834 7/1999  
JP 1051423 10/1999  
JP 1051423-1 10/1999  
JP 1051424 10/1999  
JP 1051424-1 10/1999  
JP 1002843-3 4/2000

## OTHER PUBLICATIONS

U.S. Appl. No. 29/282,811, filed Jul. 30, 2007, Murakami, et al.

U.S. Appl. No. 29/282,810, filed Jul. 30, 2007, Murakami, et al.

U.S. Appl. No. 29/282,816, filed Jul. 30, 2007, Murakami, et al.

\* cited by examiner



Fig. 1

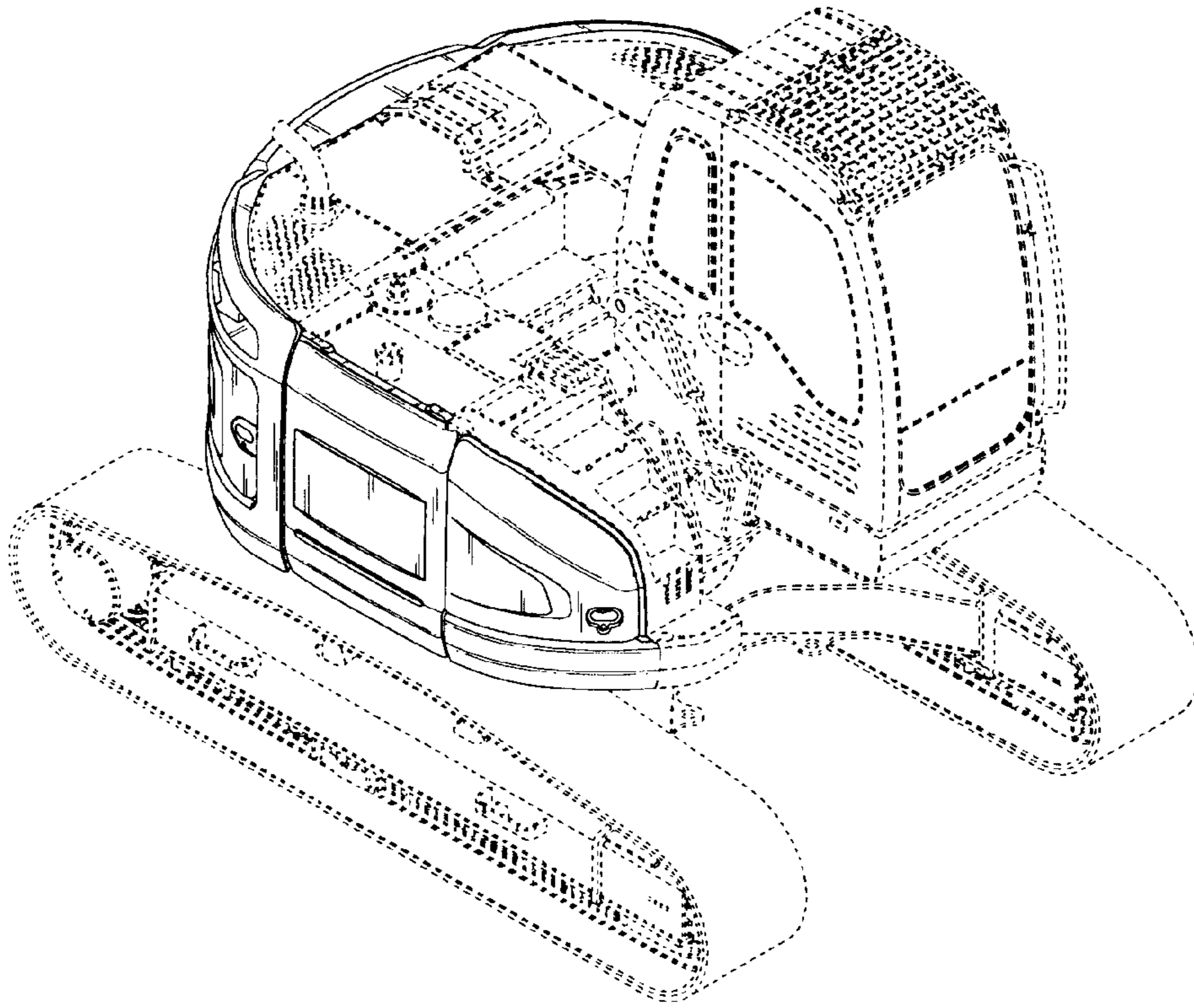


Fig. 2

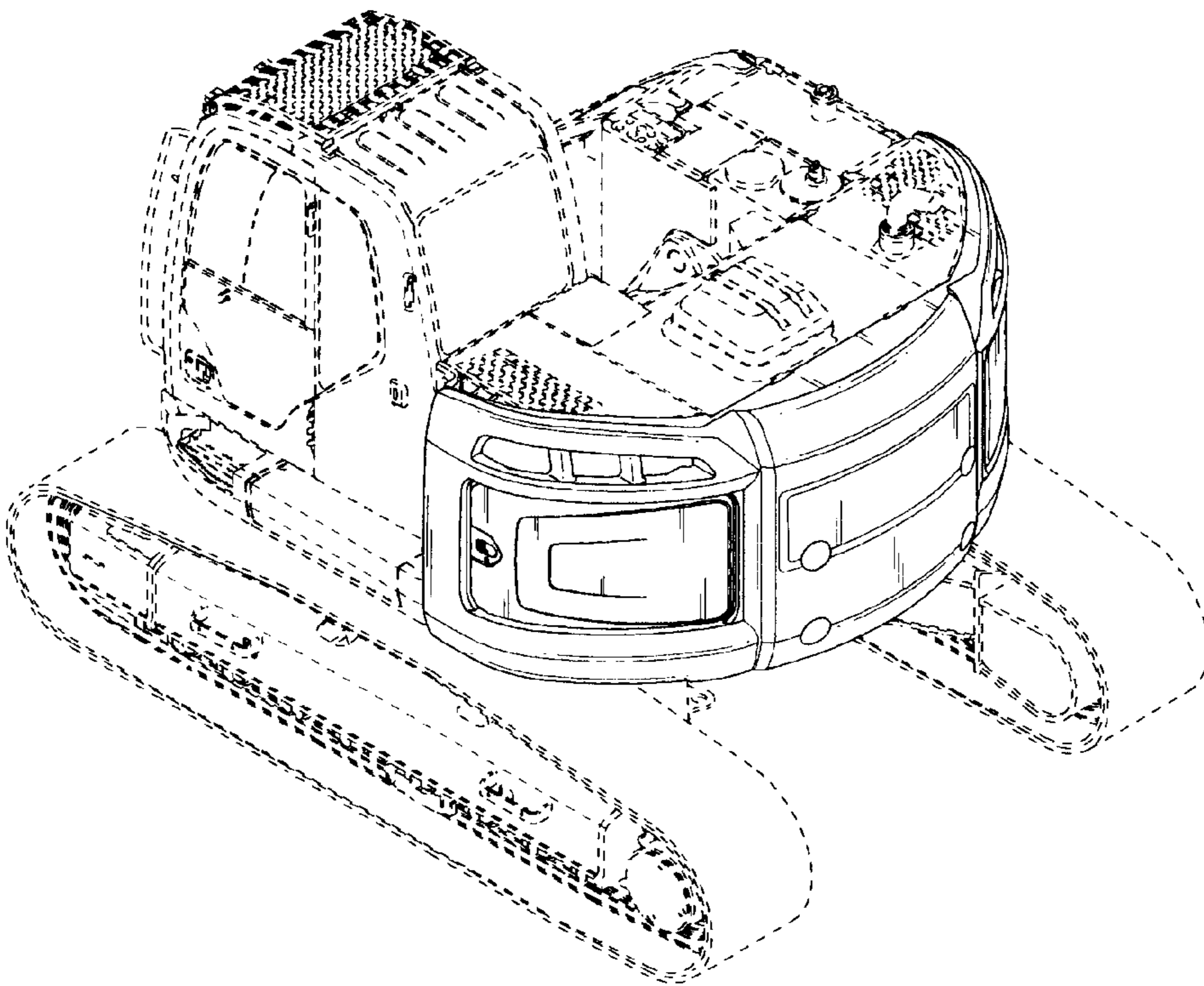


Fig. 3

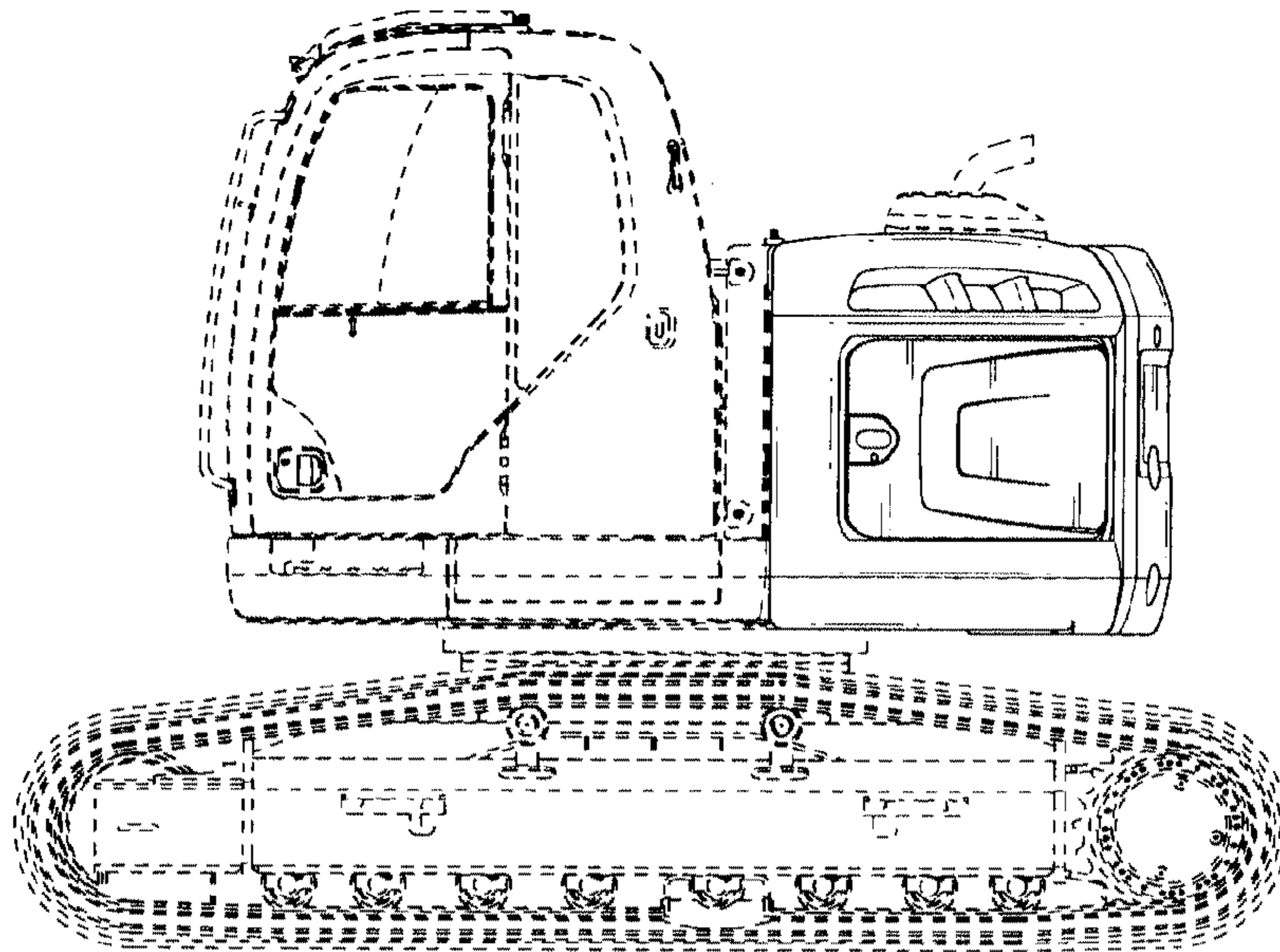


Fig. 4

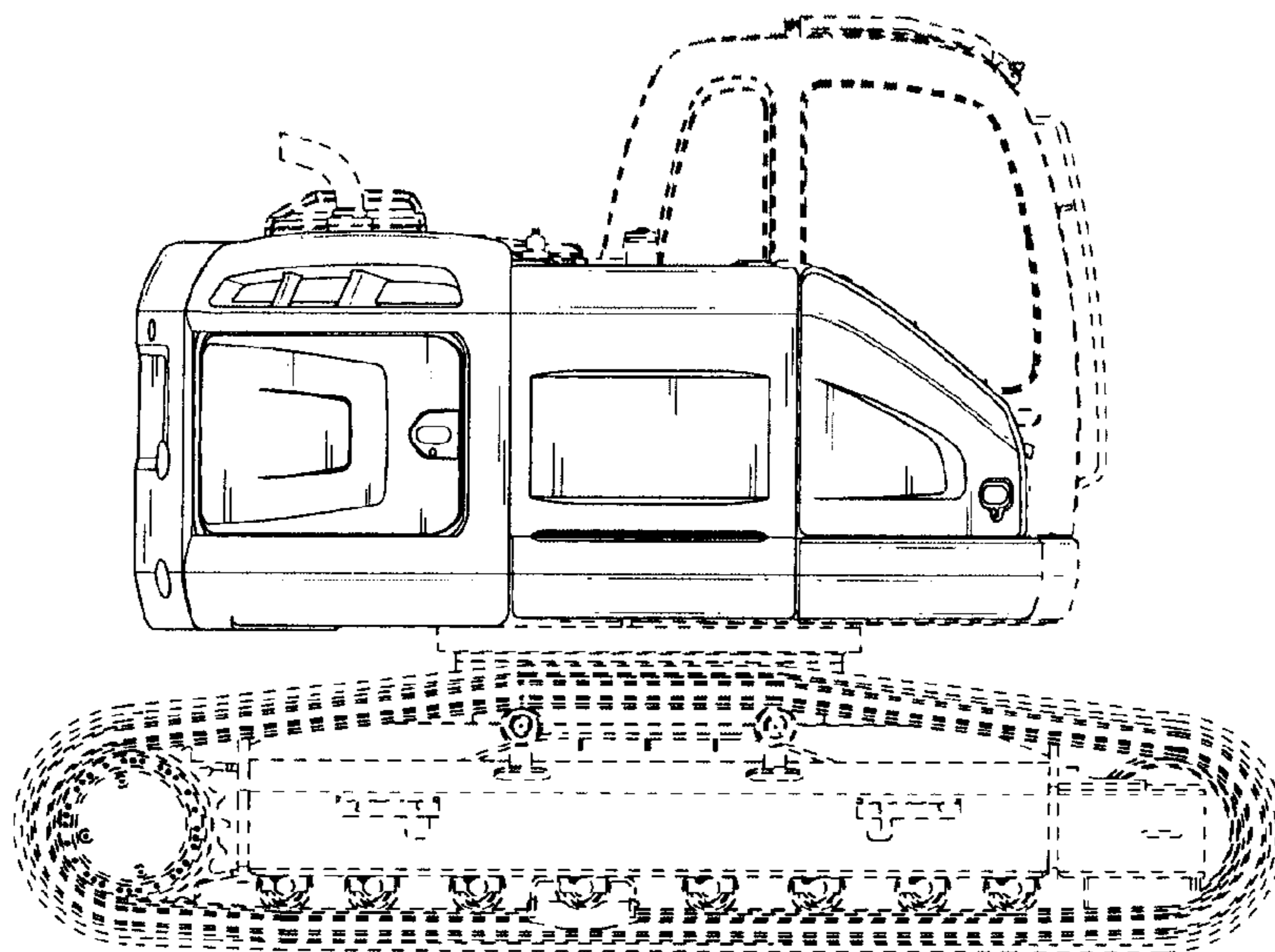


Fig. 5

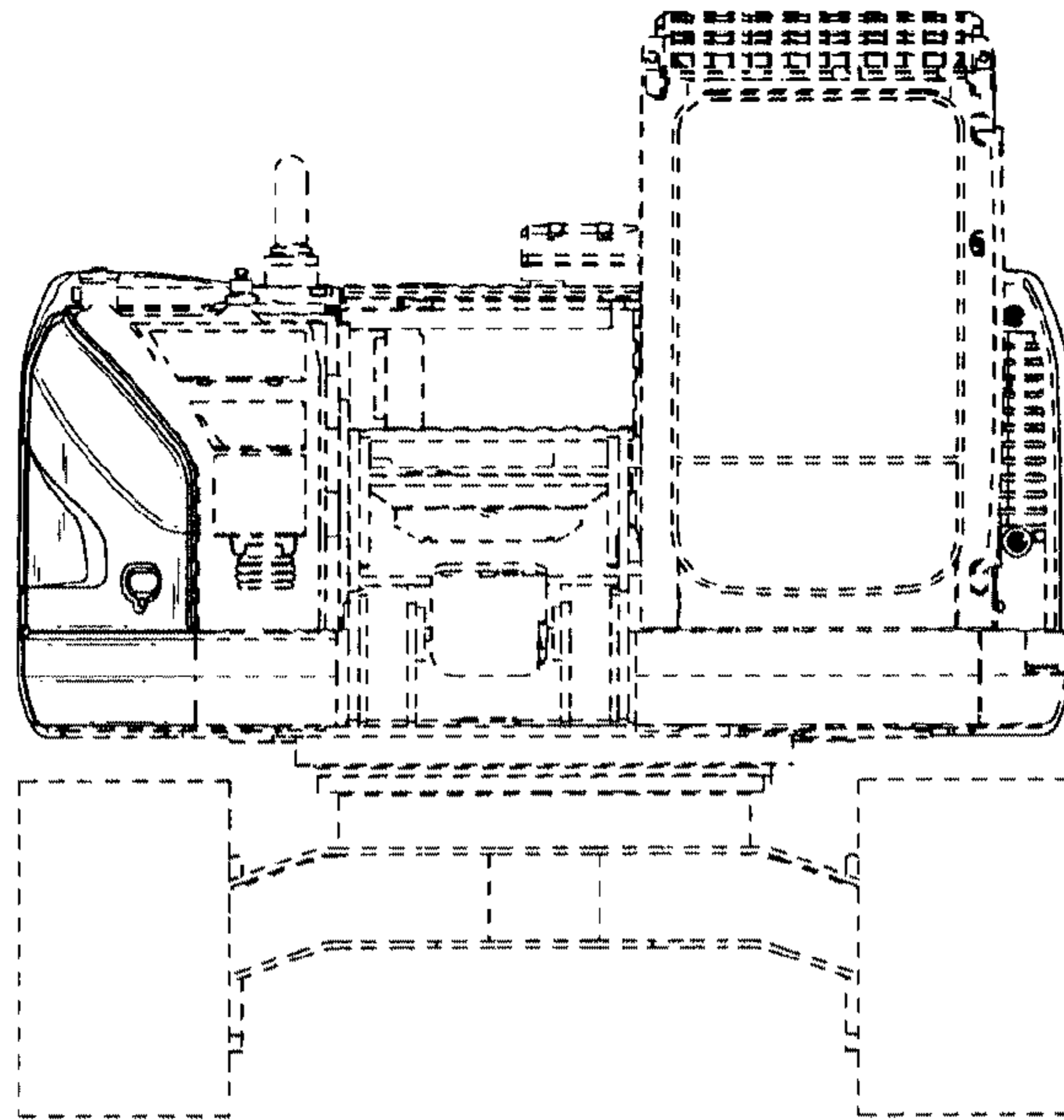


Fig. 6

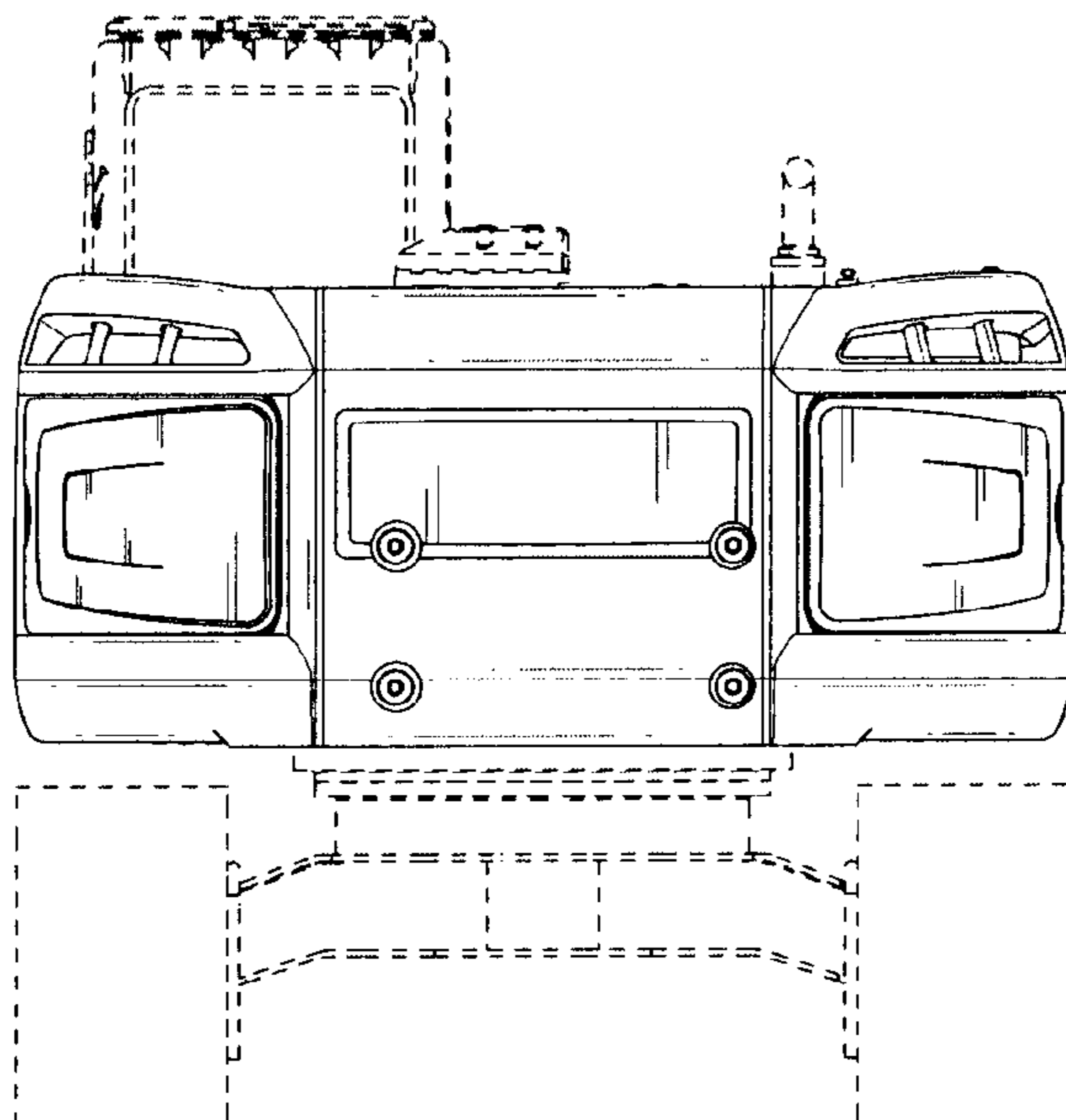




Fig. 7

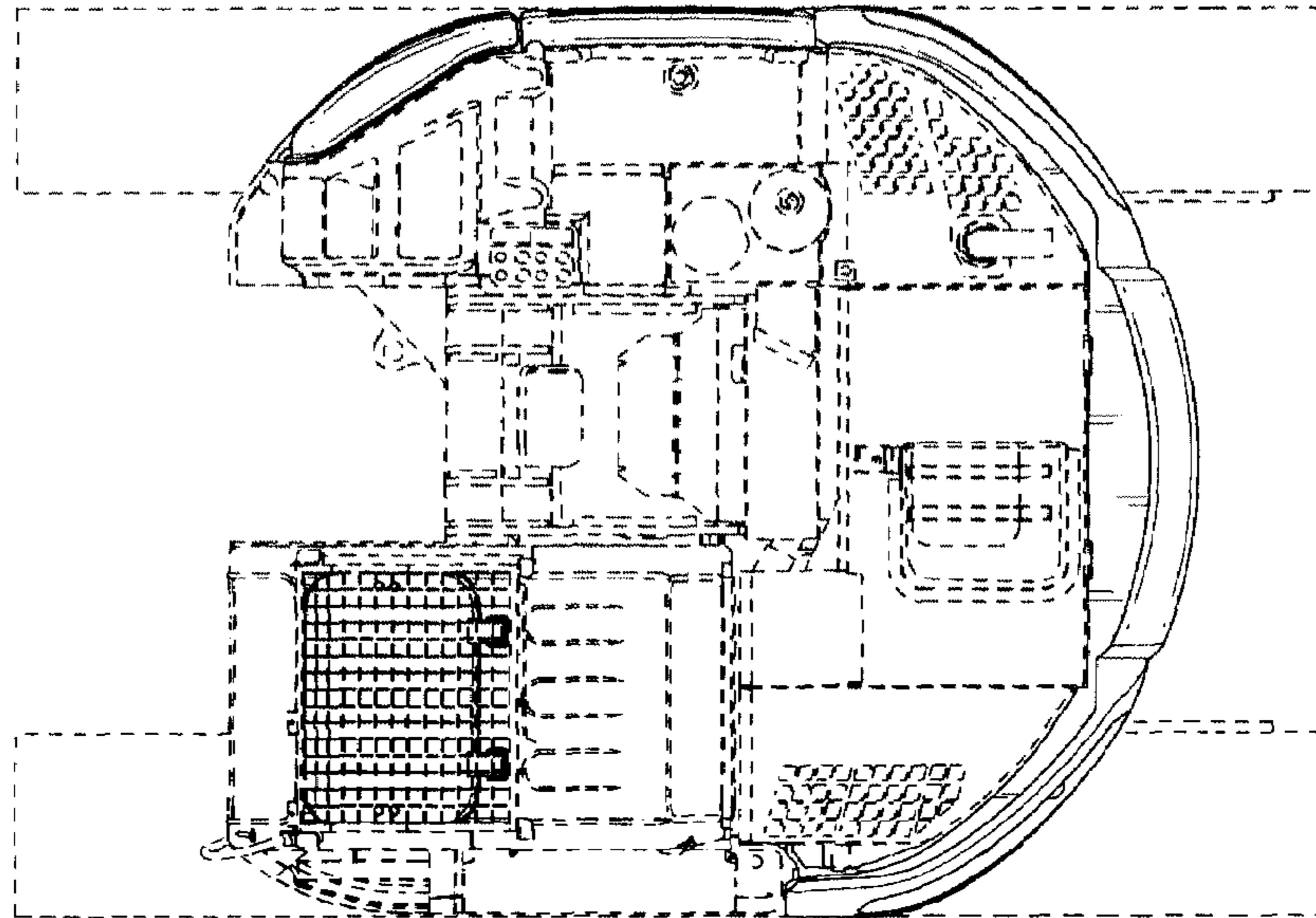


Fig. 8

