



US00D576181S

(12) **United States Design Patent**
Busley

(10) **Patent No.:** **US D576,181 S**
(45) **Date of Patent:** **** Sep. 2, 2008**

(54) **CRAWLER PAD**

(75) Inventor: **Peter Busley**, Linz (DE)

(73) Assignee: **Wirtgen GmbH**, Windhagen (DE)

(**) Term: **14 Years**

(21) Appl. No.: **29/274,020**

(22) Filed: **Mar. 21, 2007**

(30) **Foreign Application Priority Data**

Oct. 11, 2006 (EP) 000603105

(51) **LOC (8) Cl.** **15-03**

(52) **U.S. Cl.** **D15/28**

(58) **Field of Classification Search** D15/22-26,
D15/28; 152/108, 62, 88; 305/35, 44, 160,
305/185, 53, 201, 46, 50, 196, 198, 200,
305/39, 162, 187, 191, 189; D21/491, 495,
D21/537, 431, 484

See application file for complete search history.

(56) **References Cited**

U.S. PATENT DOCUMENTS

D59,422	S	*	10/1921	Johnson	D15/28
D157,905	S	*	3/1950	Risk	D15/28
2,874,005	A	*	2/1959	Engstrom	305/192
D202,263	S	*	9/1965	Deffenbaugh	D15/28
3,944,296	A	*	3/1976	Stampone	305/189
D283,328	S	*	4/1986	Johansson et al.	D15/28

4,588,233	A	*	5/1986	DenBesten	305/51
4,844,561	A	*	7/1989	Savage et al.	305/160
4,880,283	A	*	11/1989	Savage et al.	305/160
D325,209	S	*	4/1992	Rollinson	D15/28
D365,826	S	*	1/1996	Chandler	D15/28
D365,827	S	*	1/1996	Chandler	D15/28
RE36,025	E	*	1/1999	Suzuki	305/187
6,299,265	B1	*	10/2001	Hoffart	305/187

* cited by examiner

Primary Examiner—Stella M. Reid

Assistant Examiner—Mark A Goodwin

(74) *Attorney, Agent, or Firm*—Diller, Ramik & Wight

(57) **CLAIM**

The ornamental design for a crawler pad, as shown and described.

DESCRIPTION

FIG. 1 is a top perspective view of the crawler pad showing my new design;

FIG. 2 is bottom perspective view thereof;

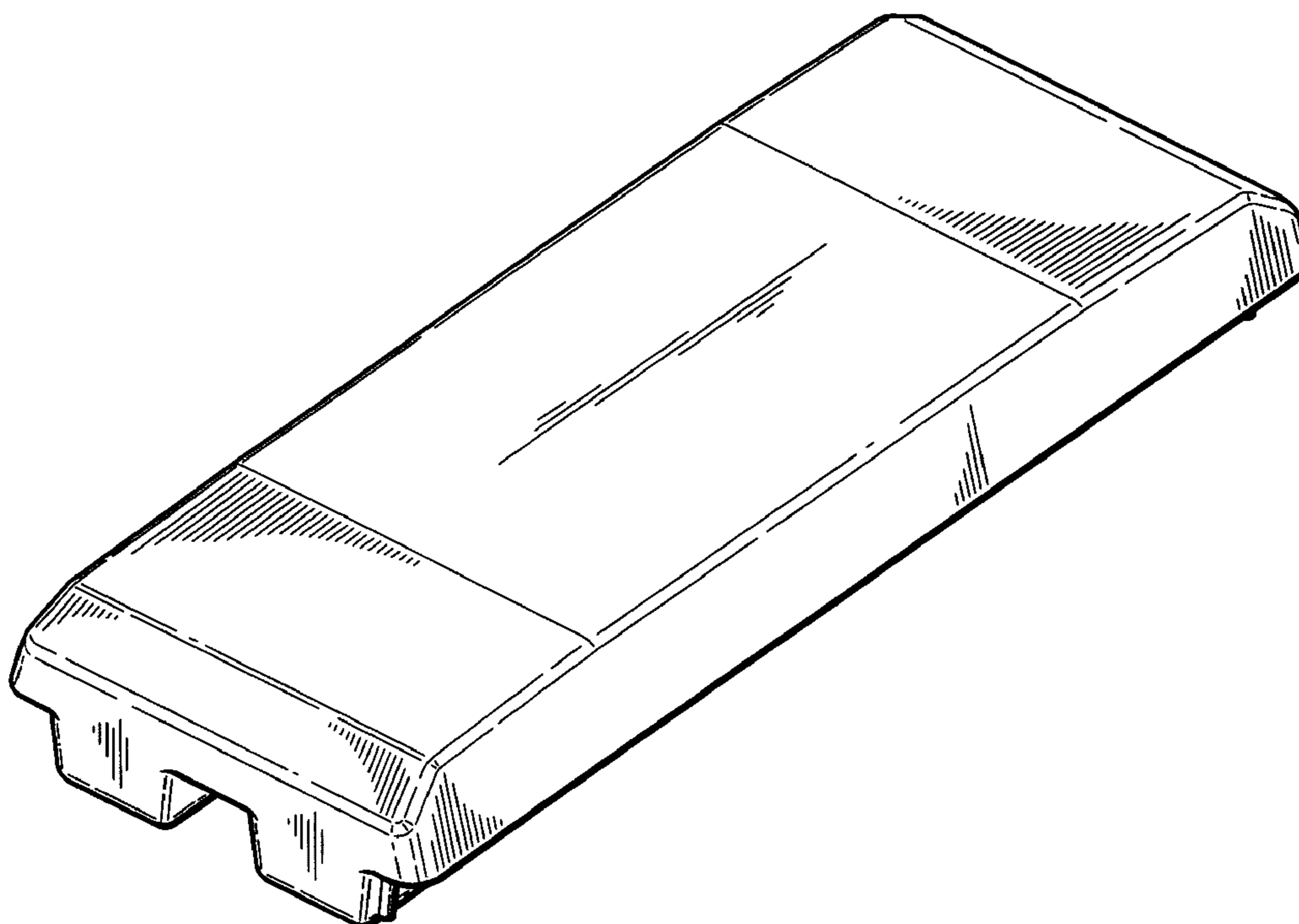
FIG. 3 is top plan view thereof;

FIG. 4 is a side elevational view with the opposite side being a mirror image thereof;

FIG. 5 is a bottom plan view thereof; and,

FIG. 6 is an end elevational view with the opposite side being a mirror image.

1 Claim, 6 Drawing Sheets



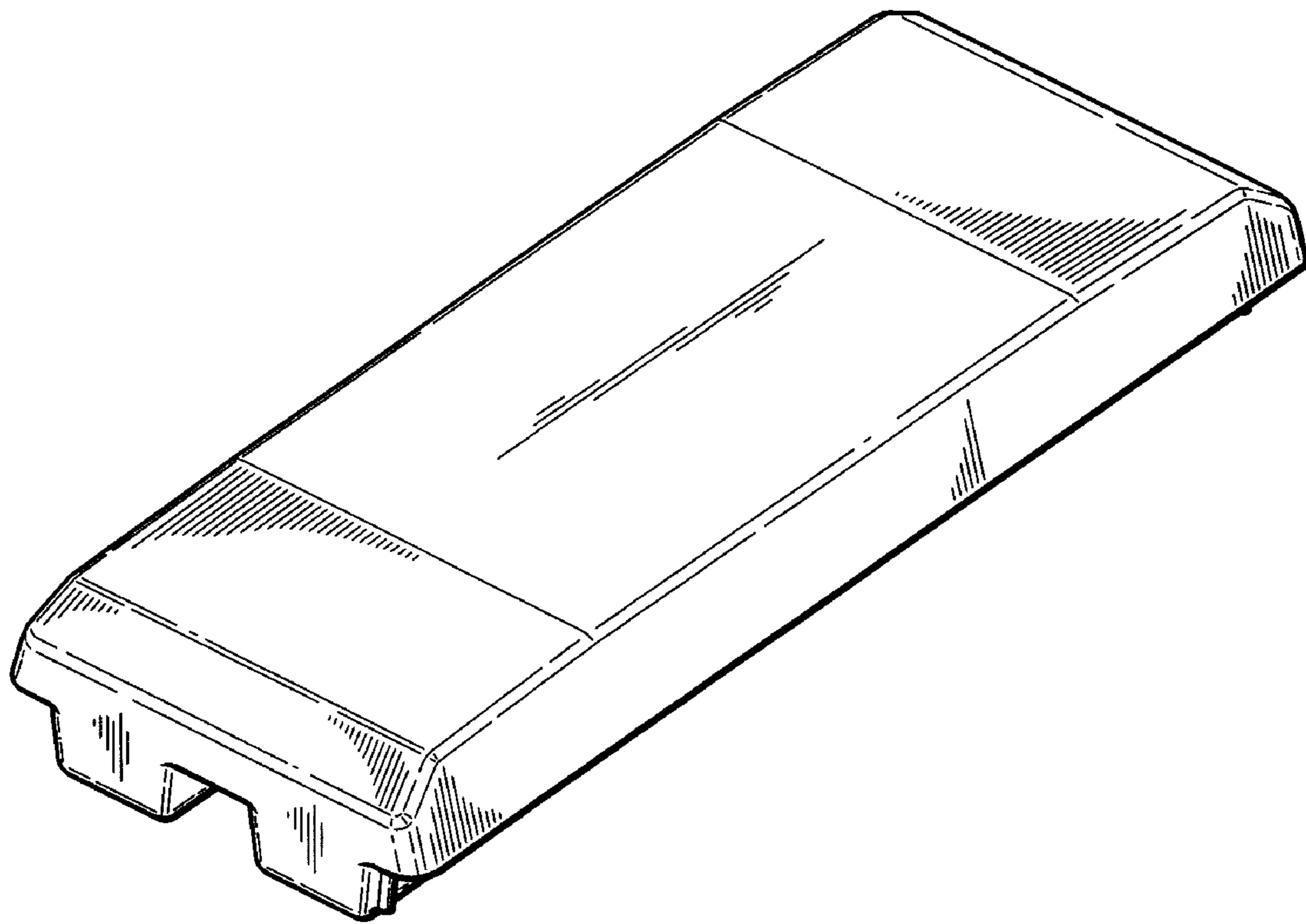


FIGURE 1

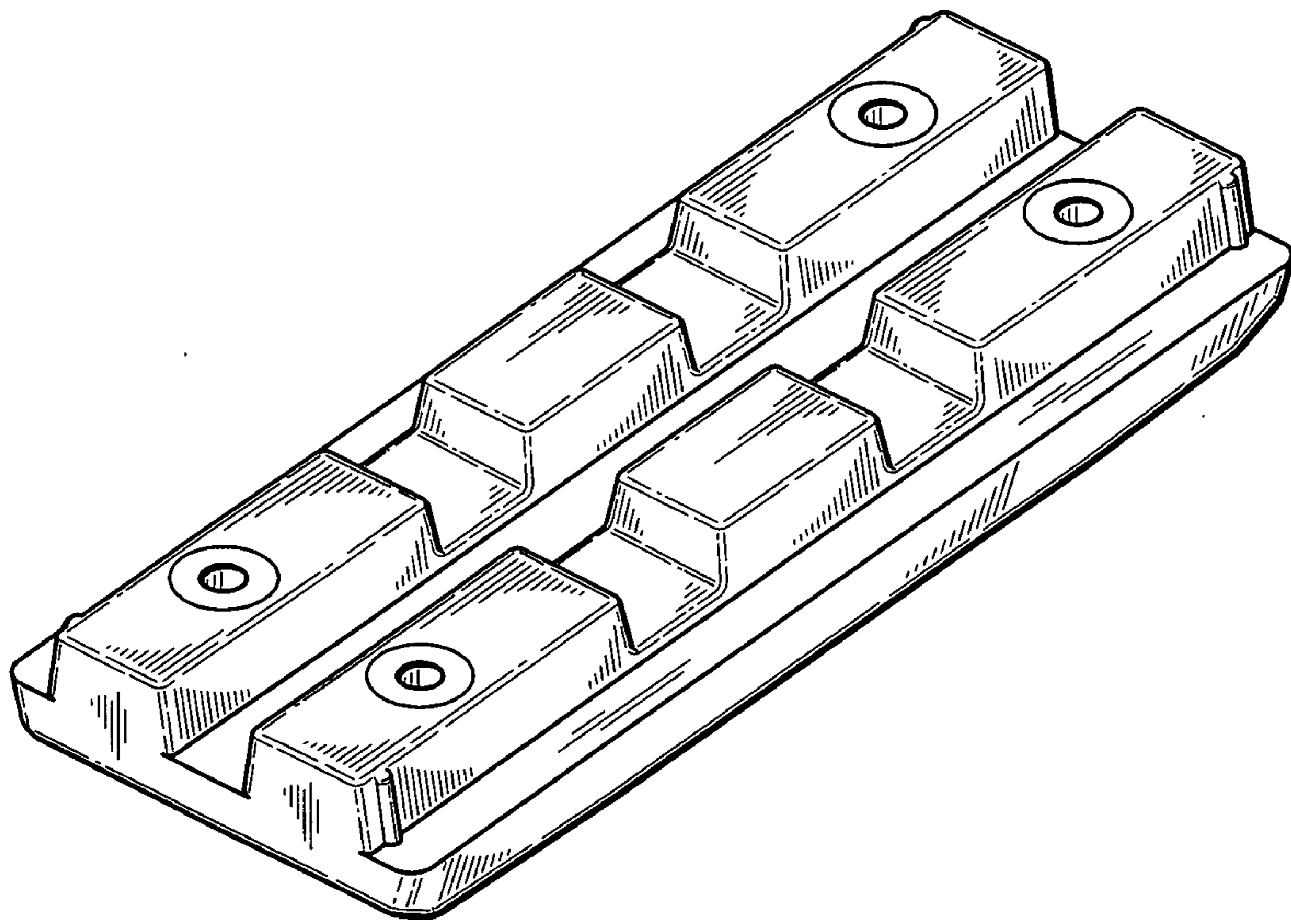


FIGURE 2

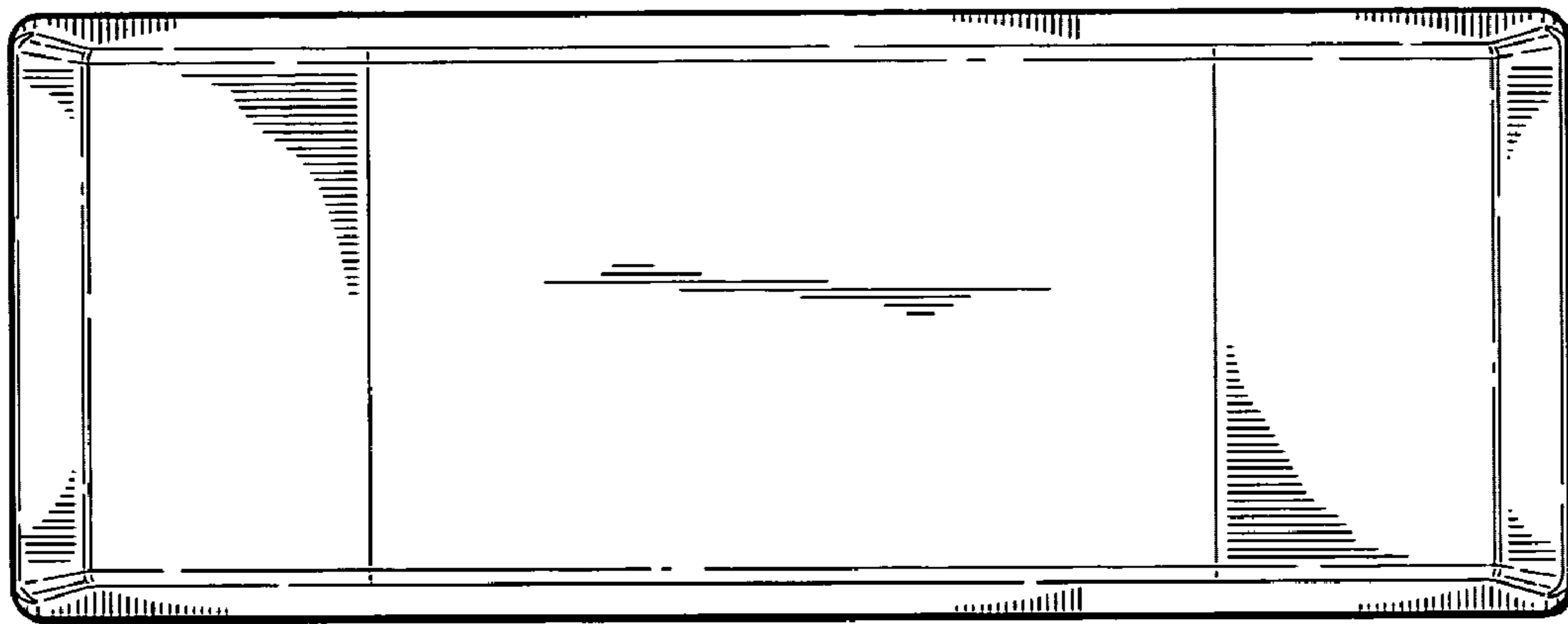


FIGURE 3



FIGURE 4

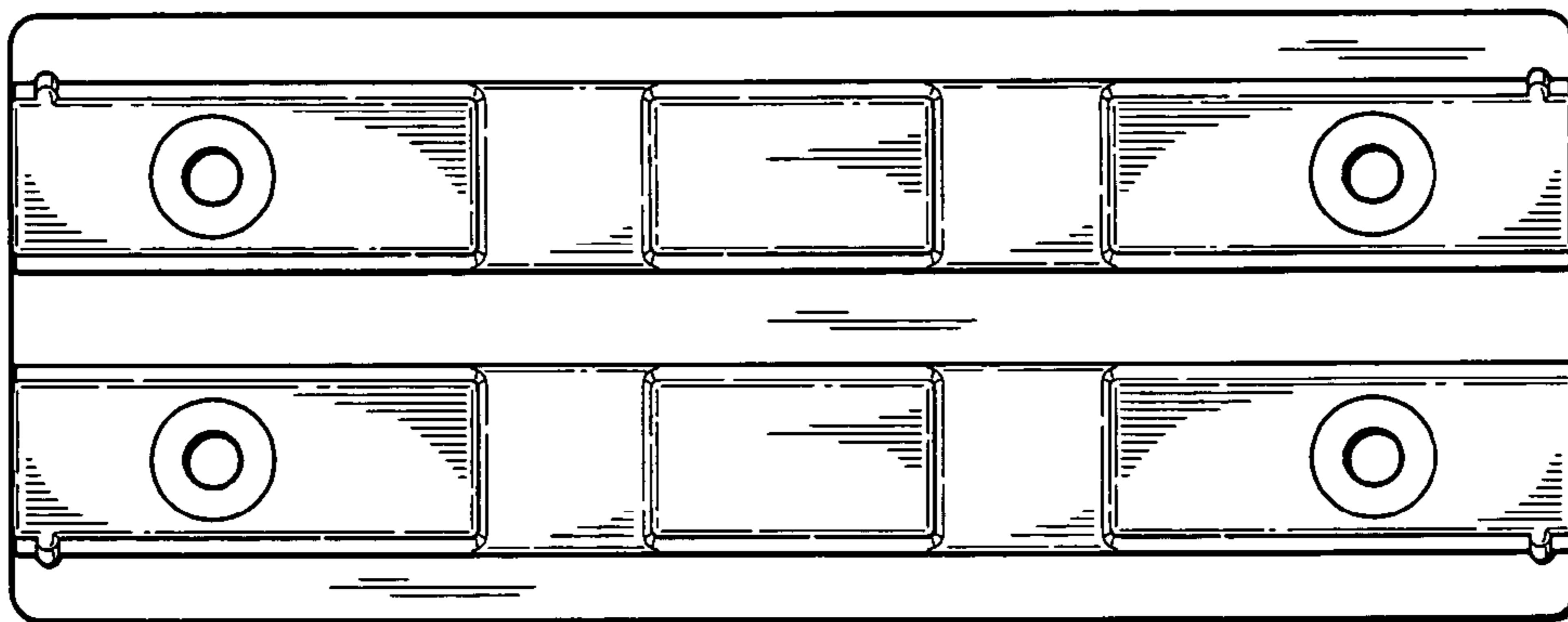


FIGURE 5

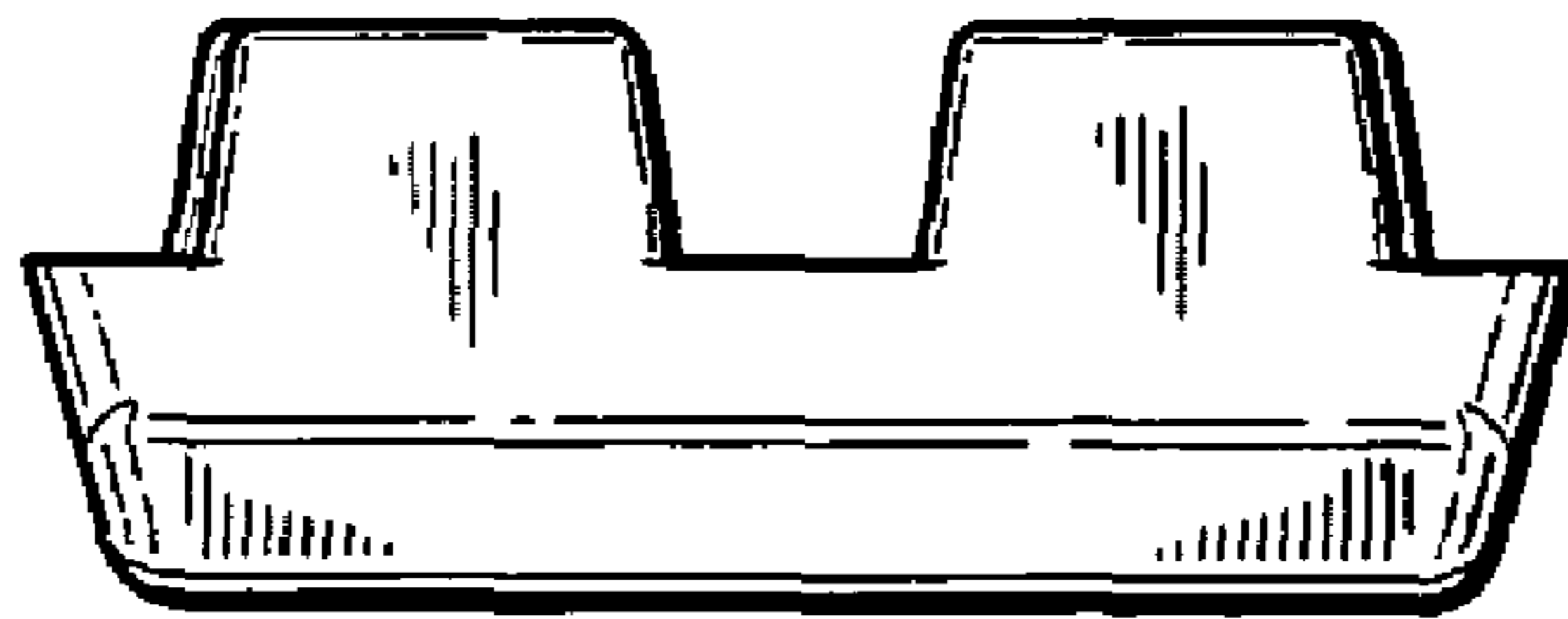


FIGURE 6