

US00D576180S

(12) **United States Design Patent**
Kuwaie et al.

(10) **Patent No.:** **US D576,180 S**
(45) **Date of Patent:** **** Sep. 2, 2008**

(54) **BACKHOE**

(75) Inventors: **Junta Kuwaie**, Sakai (JP); **Yasuhiko Arai**, Sakai (JP); **Tomoaki Miyake**, Sakai (JP)

(73) Assignee: **Kubota Corporation**, Osaka (JP)

(**) Term: **14 Years**

(21) Appl. No.: **29/291,513**

(22) Filed: **Aug. 31, 2007**

(51) **LOC (8) Cl.** **12-09**

(52) **U.S. Cl.** **D15/25**

(58) **Field of Classification Search** D15/10,
D15/22-26, 28, 30; 37/443, 379; 180/326,
180/89.1, 89.2, 89.13, 900; 414/685, 687,
414/688, 694, 722, 699, 680, 698, 719, 743
See application file for complete search history.

(56) **References Cited**

U.S. PATENT DOCUMENTS

D309,313	S	*	7/1990	Takashima et al.	D15/25
D312,468	S	*	11/1990	Masumoto et al.	D15/25
D354,497	S	*	1/1995	Kusunoki et al.	D15/25
D375,103	S	*	10/1996	Masumoto et al.	D15/25
D387,360	S	*	12/1997	Ishizaki et al.	D15/25
5,711,095	A	*	1/1998	Oda et al.	37/410
D391,272	S	*	2/1998	Jin et al.	D15/25
D406,152	S	*	2/1999	Miyaoka et al.	D15/25
D424,581	S	*	5/2000	Morita et al.	D15/24
D431,253	S	*	9/2000	Marchetta et al.	D15/25
6,170,588	B1	*	1/2001	Iрино et al.	180/89.1
D440,235	S	*	4/2001	Kuwaie et al.	D15/25
D450,067	S	*	11/2001	Murakami et al.	D15/25
D450,331	S	*	11/2001	Murakami et al.	D15/25
D460,974	S	*	7/2002	Murakami et al.	D15/25
6,502,896	B1	*	1/2003	Nakata et al.	296/190.05
D473,571	S	*	4/2003	Kuwaie et al.	D15/25
D474,481	S	*	5/2003	Hara	D15/25
6,615,942	B2	*	9/2003	Shinohara et al.	180/69.21

D508,498	S	*	8/2005	Shimokakiuchi et al.	D15/24
D509,514	S	*	9/2005	Shimokakiuchi et al.	D15/24
D511,531	S	*	11/2005	Sewell et al.	D15/24
D518,071	S	*	3/2006	Gwak et al.	D15/25
D527,027	S	*	8/2006	Smith et al.	D15/24
D538,827	S	*	3/2007	Uemura	D15/25
D555,675	S	*	11/2007	Matsubara et al.	D15/25
2003/0079925	A1	*	5/2003	Shinohara et al.	180/89.13
2004/0084934	A1	*	5/2004	Yokoo et al.	296/190.01
2005/0210717	A1	*	9/2005	Ueda et al.	37/443
2006/0000123	A1	*	1/2006	Chikaishi et al.	37/379

* cited by examiner

Primary Examiner—Stella M. Reid

Assistant Examiner—Mark A Goodwin

(74) *Attorney, Agent, or Firm*—The Webb Law Firm

(57) **CLAIM**

The ornamental design for a backhoe, as shown and described.

DESCRIPTION

FIG. 1 is a left side view of a backhoe showing our new design;

FIG. 2 is a right side view thereof;

FIG. 3 is a rear view thereof;

FIG. 4 is a front view thereof;

FIG. 5 is a top plan view thereof;

FIG. 6 is a left rear perspective view thereof;

FIG. 7 is a right rear perspective view thereof;

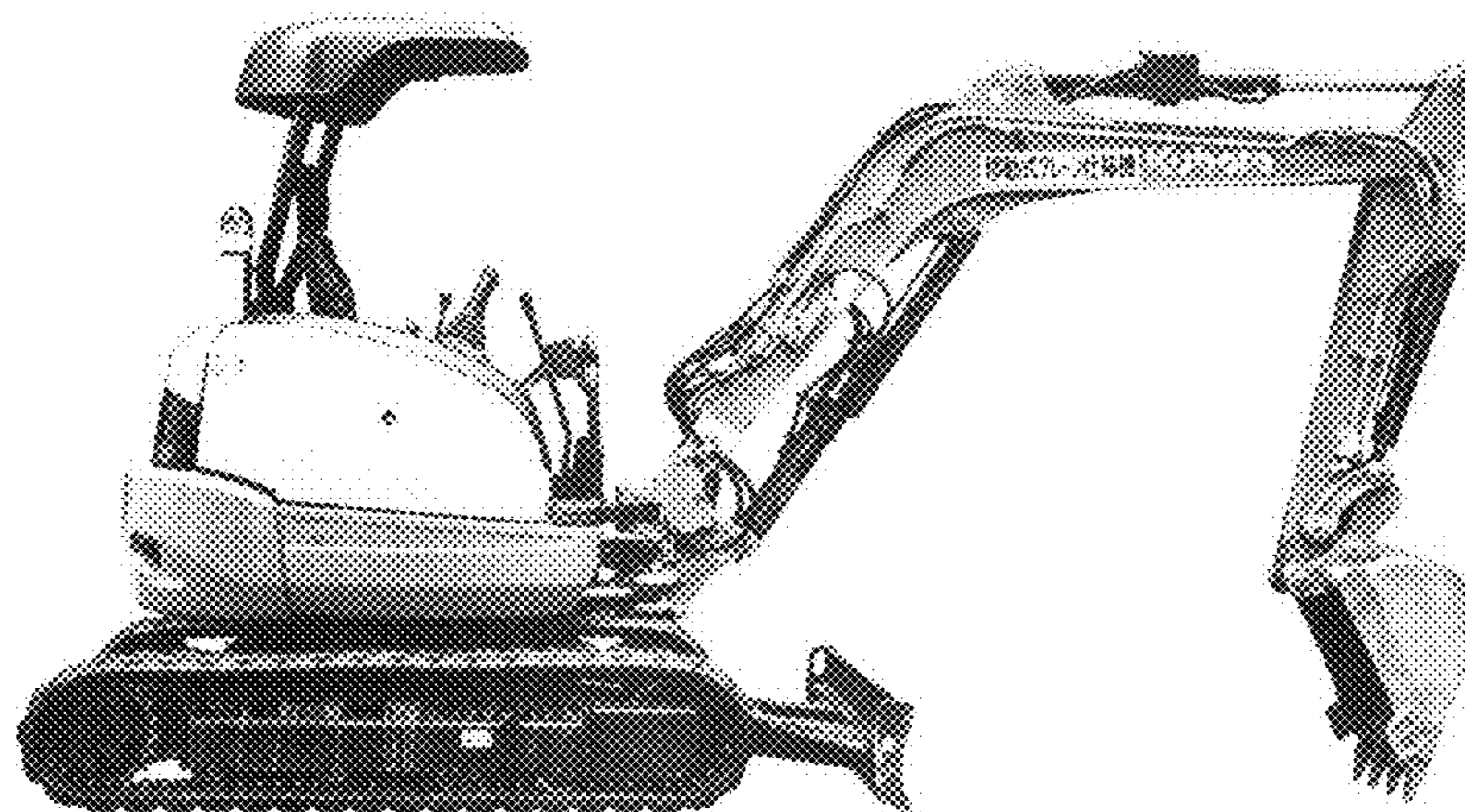
FIG. 8 is a left front perspective view thereof;

FIG. 9 is a right front perspective view thereof;

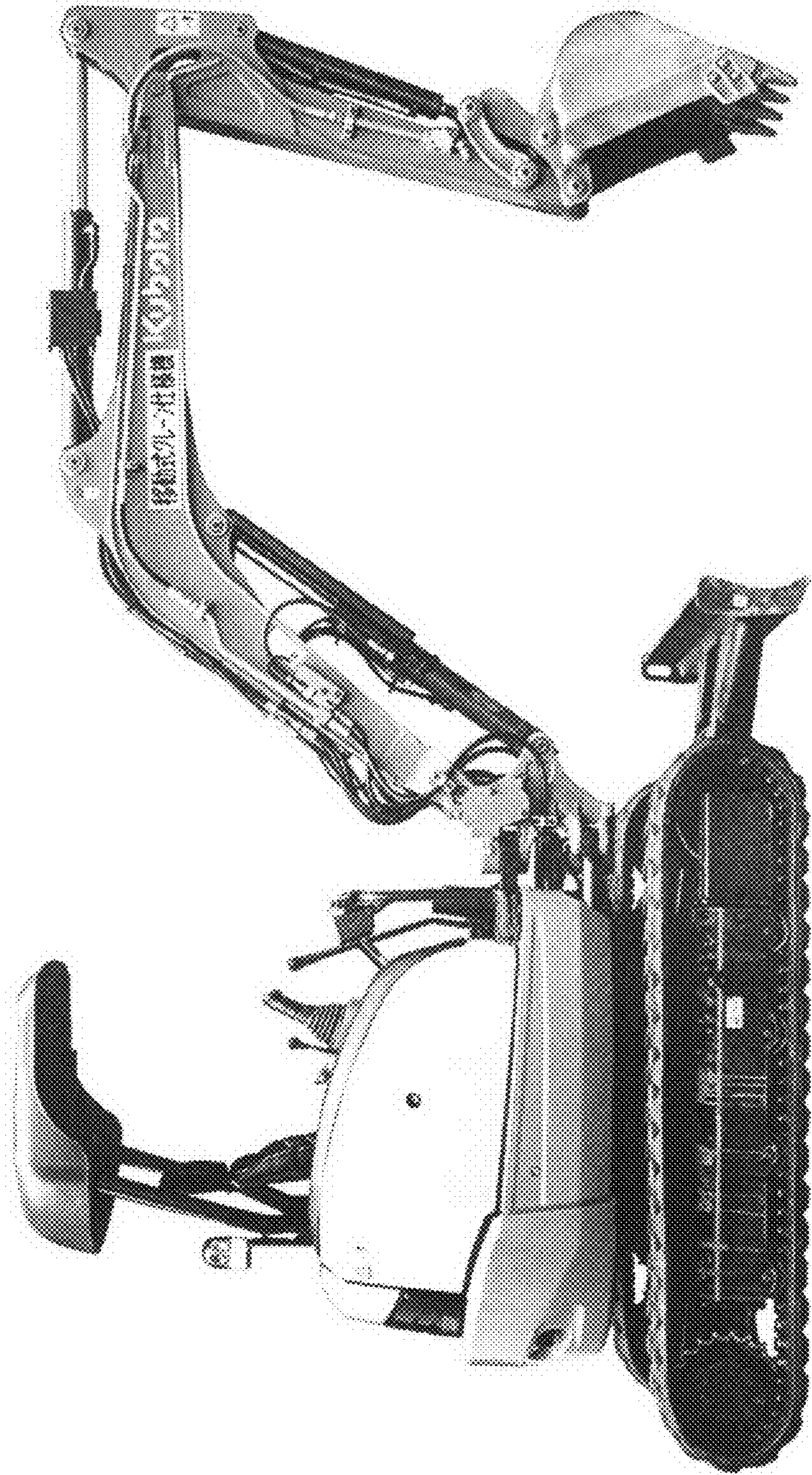
FIG. 10 is an enlargement of the side view of the left rear portion thereof; and,

FIG. 11 is an enlargement of the right rear perspective view of the right rear portion thereof.

1 Claim, 11 Drawing Sheets



F i l e . 1



F i g . 2

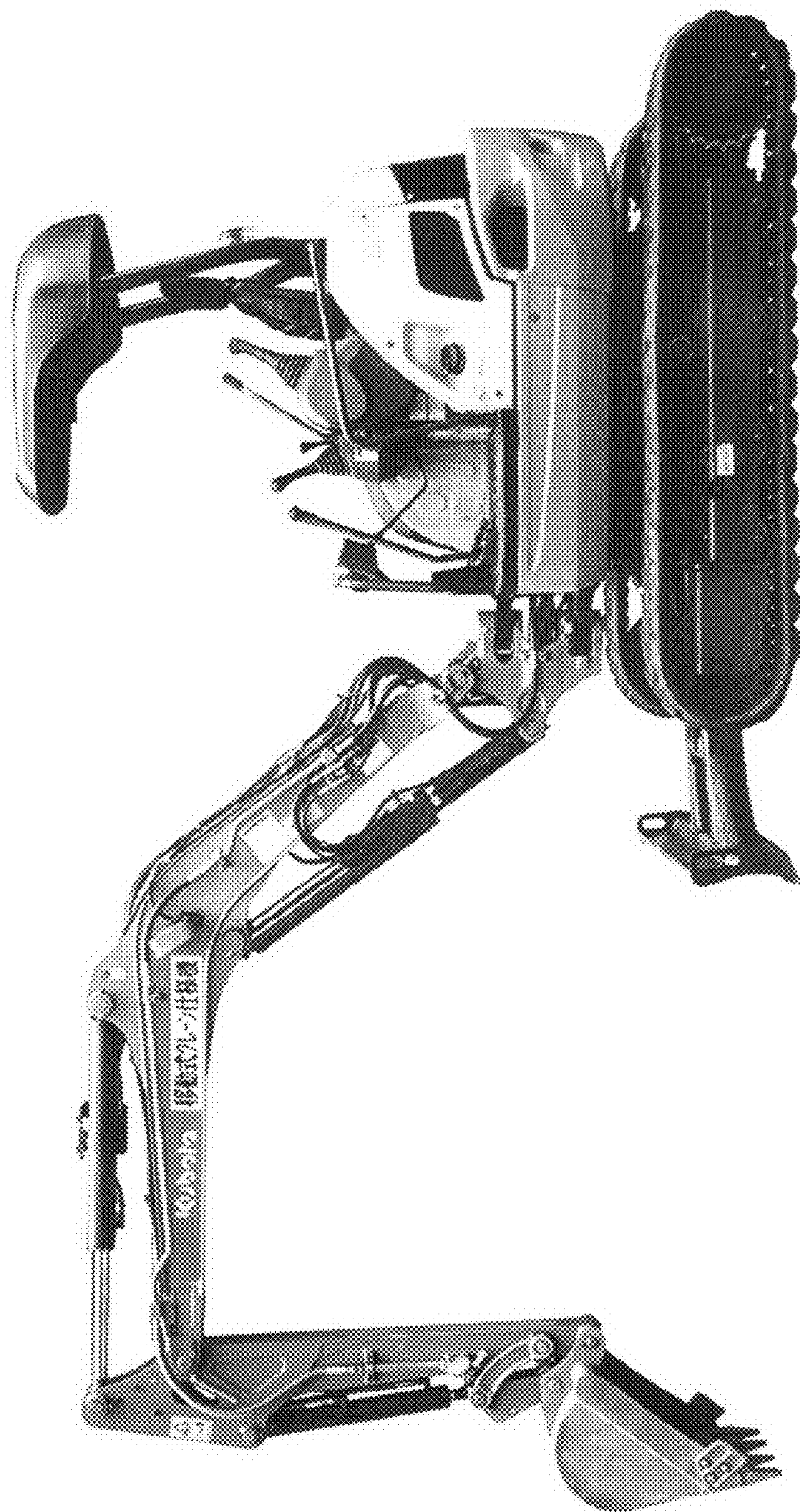


Fig. 3

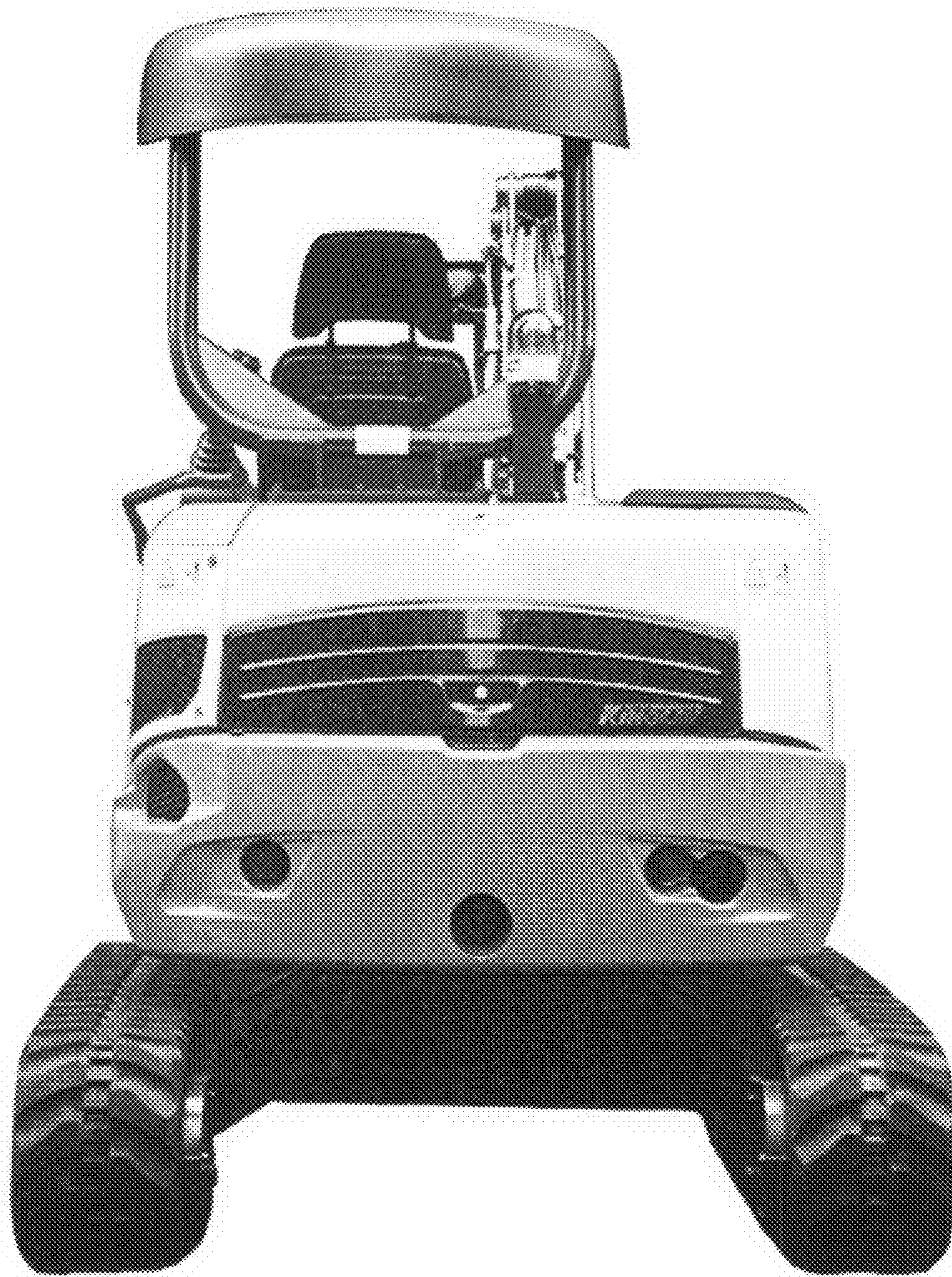


Fig. 4

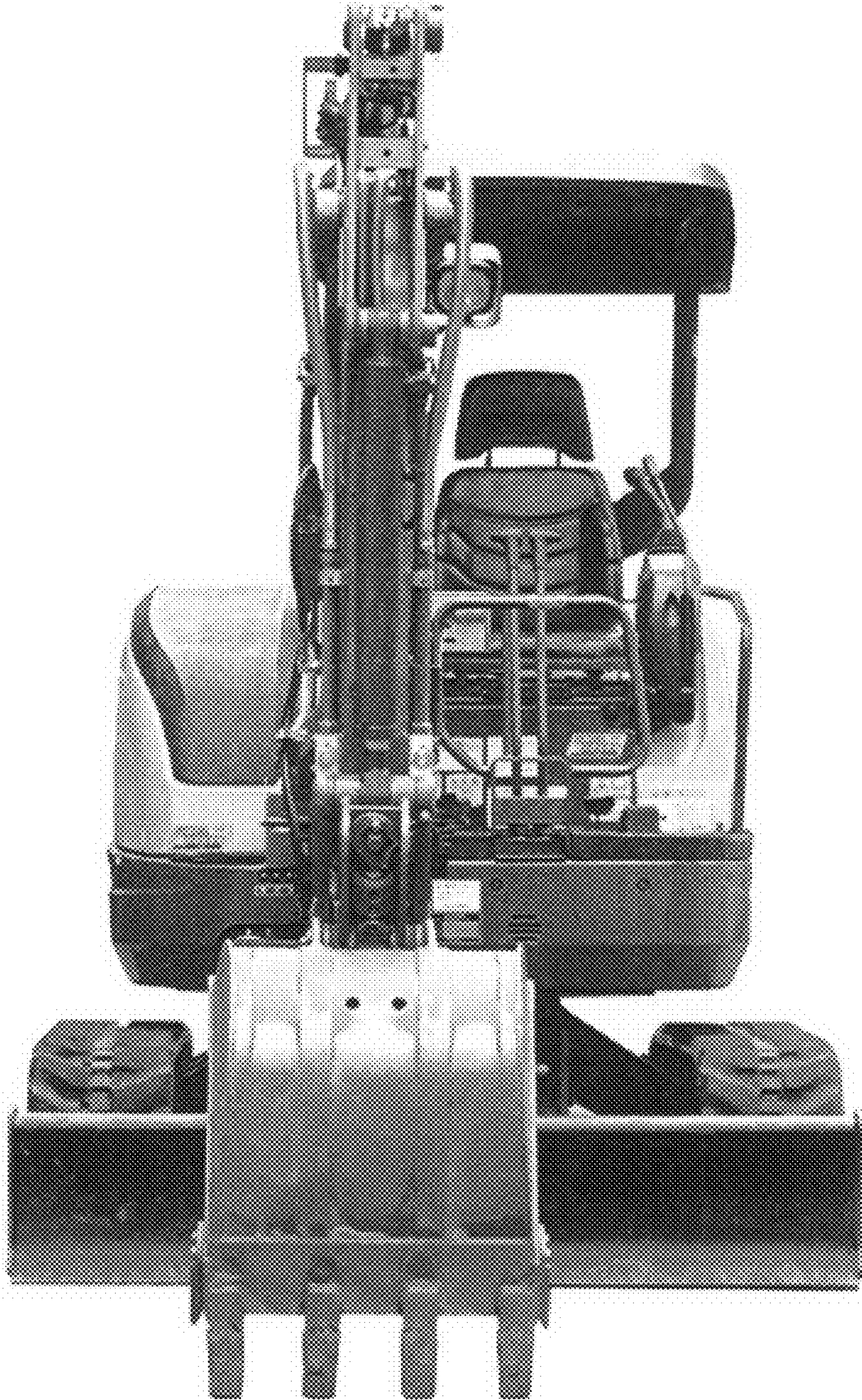


Fig. 5

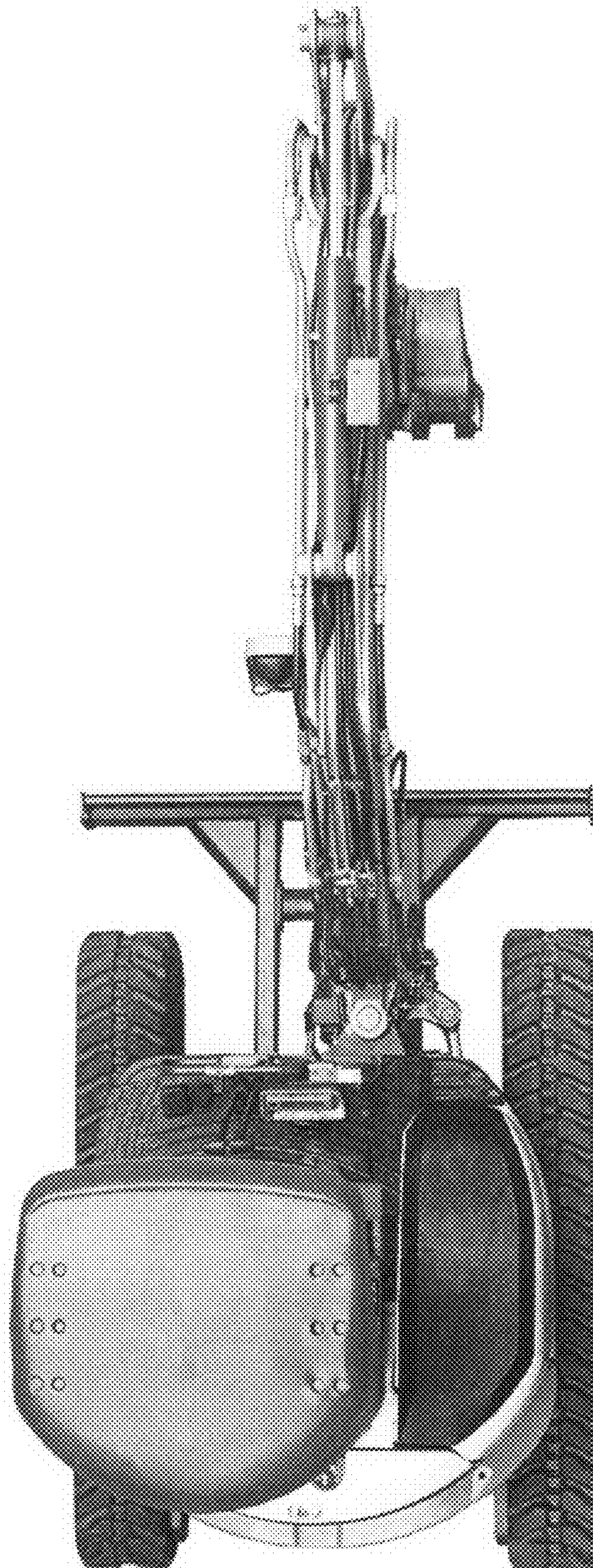


Fig. 6

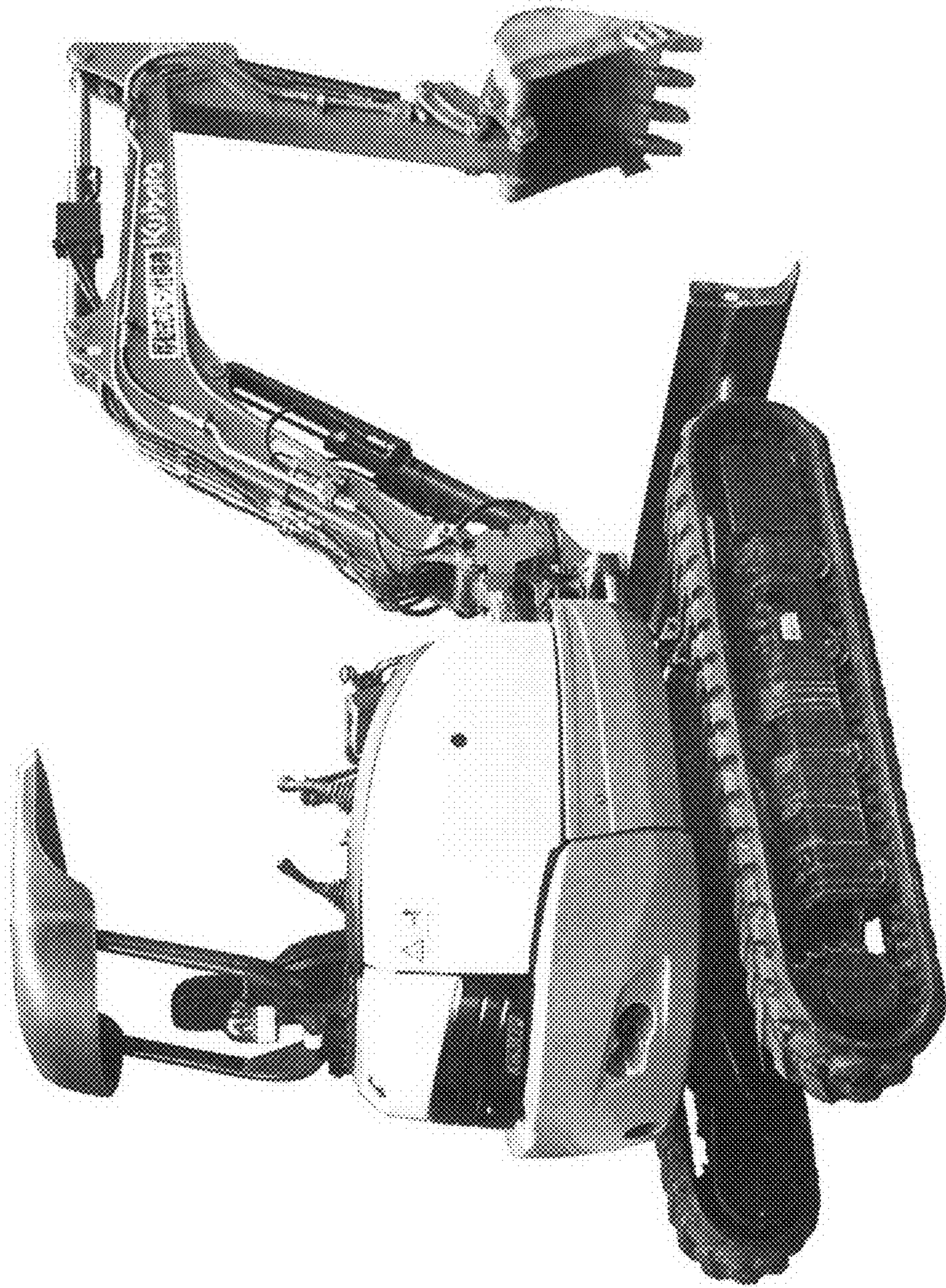


Fig. 7

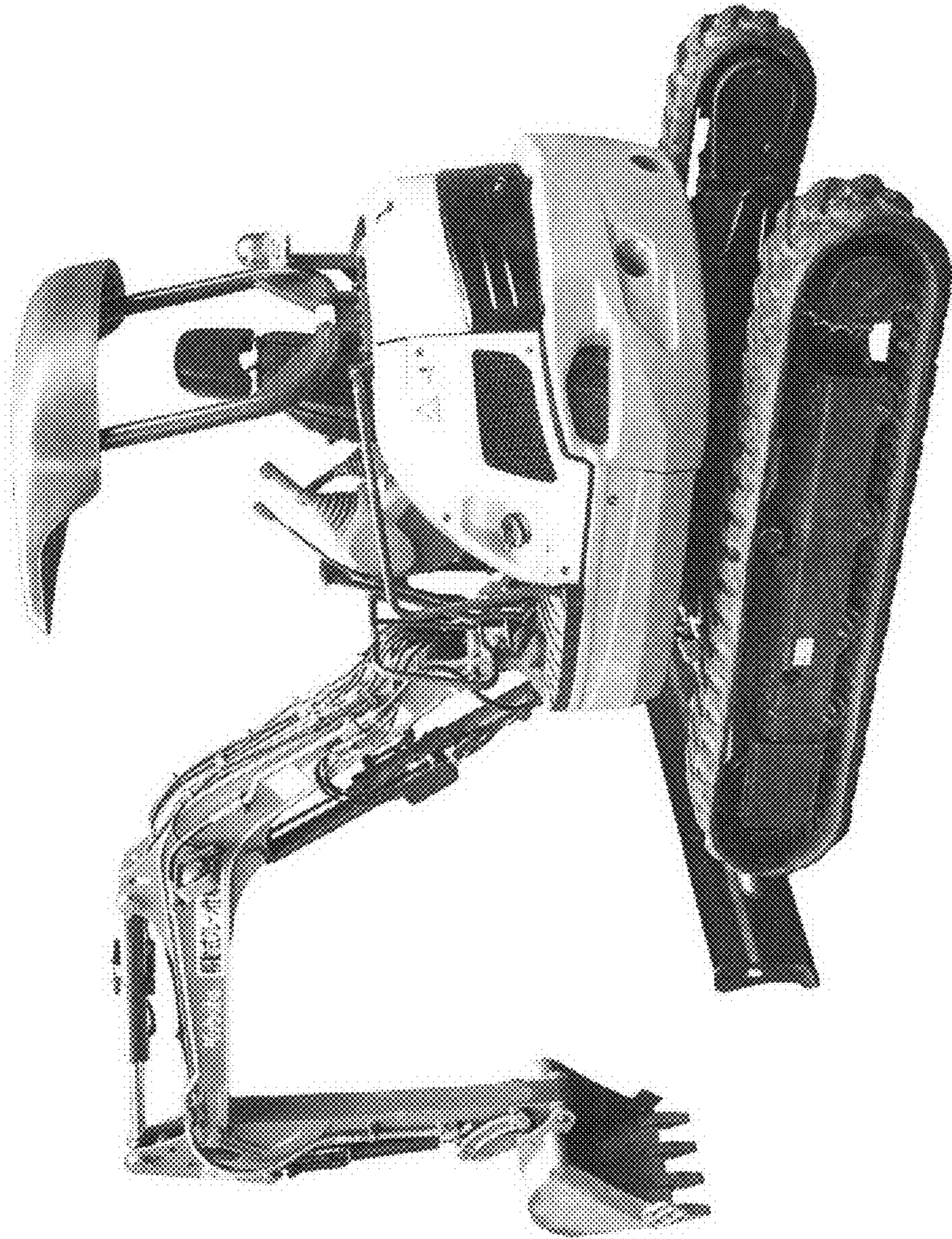


Fig. 8

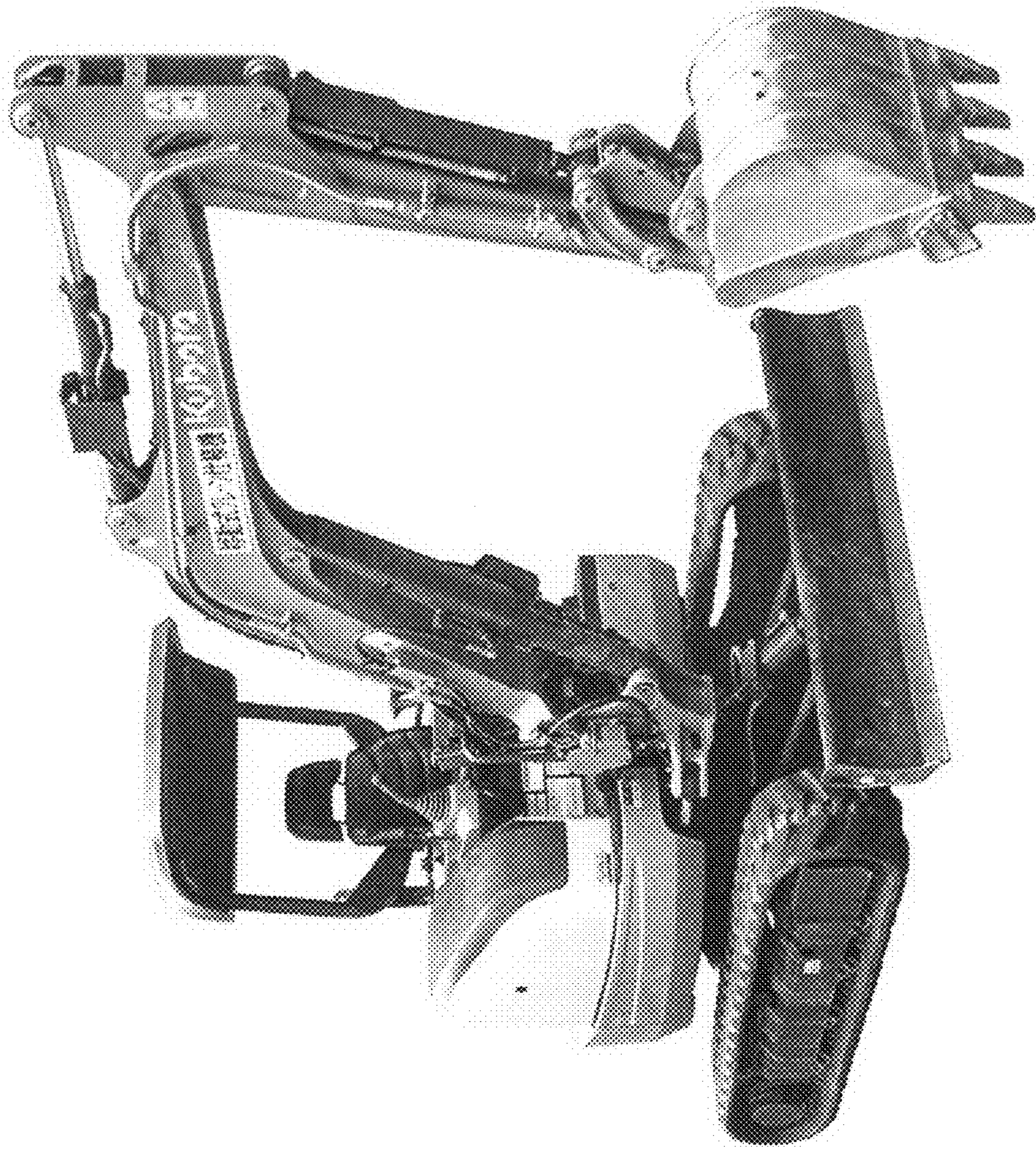


Fig. 9

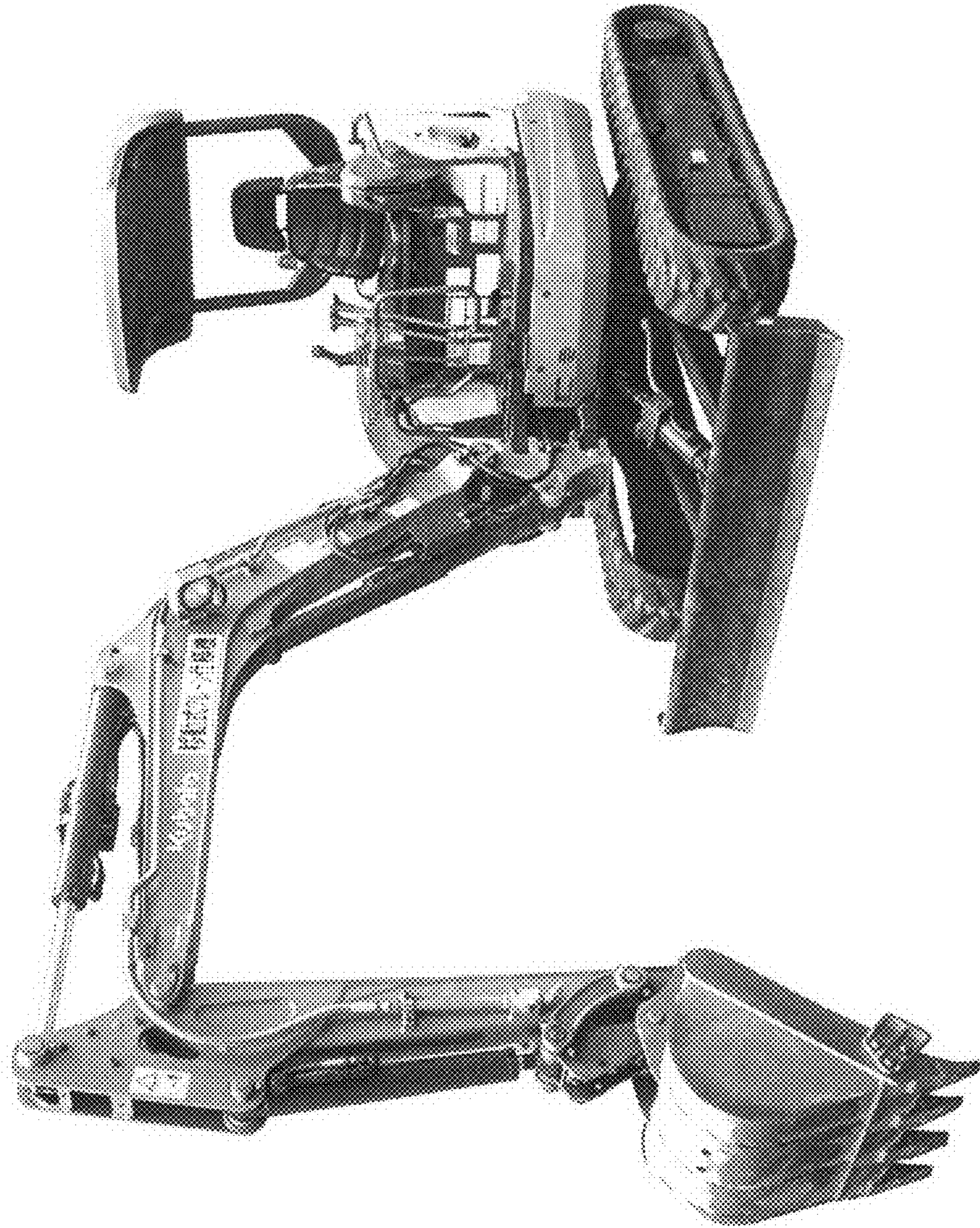


Fig. 10



Fig. 11

