

US00D576177S

(12) **United States Design Patent**
Asanuma et al.

(10) **Patent No.:** **US D576,177 S**
(45) **Date of Patent:** **** Sep. 2, 2008**

(54) **DIGITAL AUDIO PLAYER**

(75) Inventors: **Takashi Asanuma**, Tokyo (JP); **Tatsuya Honda**, Yokohama (JP)

(73) Assignee: **Kabushiki Kaisha Toshiba** (JP)

(**) Term: **14 Years**

(21) Appl. No.: **29/304,389**

(22) Filed: **Feb. 29, 2008**

(30) **Foreign Application Priority Data**

Dec. 14, 2007 (JP) 2007-034249

(51) **LOC (8) Cl.** **14-03**

(52) **U.S. Cl.** **D14/496**

(58) **Field of Classification Search** D14/496,
D14/401, 435, 474, 483, 217, 137, 138, 160,
D14/168; 345/156, 169, 173-179, 905; 715/727-729,
715/864; 710/1, 5, 8; 713/1, 600; 455/11,
455/1.7, 73, 344-347, 93, 95; 370/342-344;
369/1, 2, 6, 12; 463/43-47; 273/148 B
See application file for complete search history.

(56) **References Cited**

U.S. PATENT DOCUMENTS

- 6,122,526 A * 9/2000 Parulski et al. 455/556.1
- D438,525 S * 3/2001 Katayama D14/156
- D441,735 S 5/2001 Katayama
- 6,591,085 B1 * 7/2003 Grady 455/42
- 6,709,603 B2 * 3/2004 Reid 210/764
- D488,456 S * 4/2004 Isshiki D14/156
- D489,052 S 4/2004 Shiraki et al.
- D499,423 S 12/2004 Bahroocha et al.
- D513,617 S * 1/2006 Tierney D14/496
- D514,590 S 2/2006 Naruki
- D523,445 S 6/2006 Toh
- D523,446 S 6/2006 Peng
- D537,810 S * 3/2007 Lee D14/156
- D537,837 S 3/2007 Naruki et al.
- D538,298 S 3/2007 Naruki

- D539,306 S 3/2007 Naruki
- D549,238 S 8/2007 Chikuma
- D551,255 S 9/2007 Chikuma et al.
- D555,169 S 11/2007 Shimizu et al.
- D558,266 S 12/2007 Falk
- D558,791 S * 1/2008 Toh et al. D14/496
- D558,792 S 1/2008 Chigira
- D558,793 S 1/2008 Honda
- D560,686 S 1/2008 Kim
- D561,204 S * 2/2008 Toh D14/496
- D567,255 S 4/2008 Miyawaki

FOREIGN PATENT DOCUMENTS

- CN 3582119D 11/2006
- CN 3626233D 3/2007
- JP D1203329 4/2004

OTHER PUBLICATIONS

Grundig Catalogue of a personal media player (MPiXX 4001 1GB).
Iriver Japan Catalogue of a digital audio player (Clix2).

* cited by examiner

Primary Examiner—Prabhakar Deshmukh
(74) *Attorney, Agent, or Firm*—Banner & Witcoff, Ltd.

(57) **CLAIM**

The ornamental design for a digital audio player, as shown and described.

DESCRIPTION

FIG. 1 is a front, top and right side perspective view of a digital audio player, showing our new design;

FIG. 2 is a front view thereof;

FIG. 3 is a rear view thereof;

FIG. 4 is a top view thereof;

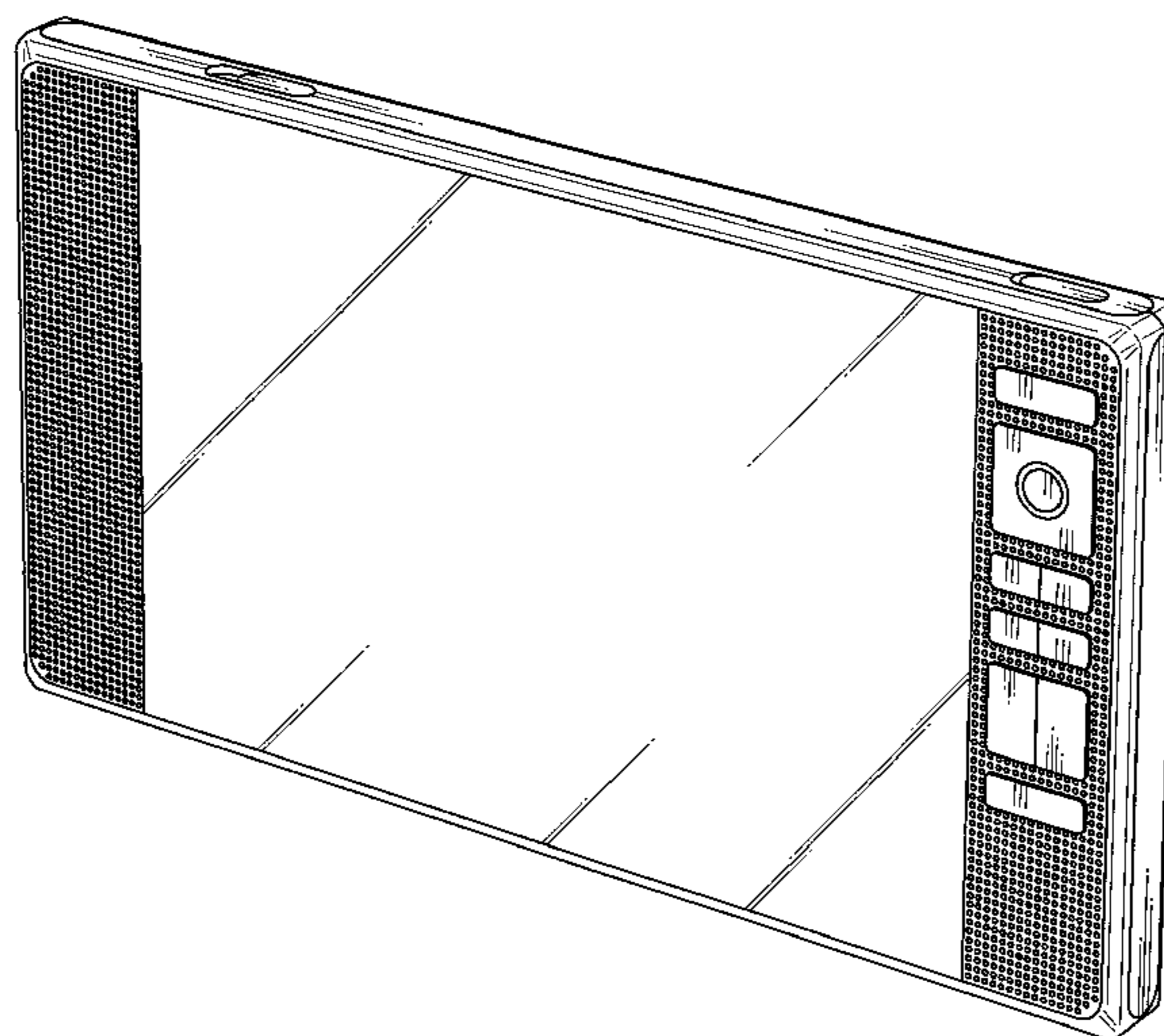
FIG. 5 is a bottom view thereof;

FIG. 6 is a left side view thereof;

FIG. 7 is a right side view thereof; and,

FIG. 8 is a right side view thereof with the stand in a set state.

1 Claim, 4 Drawing Sheets



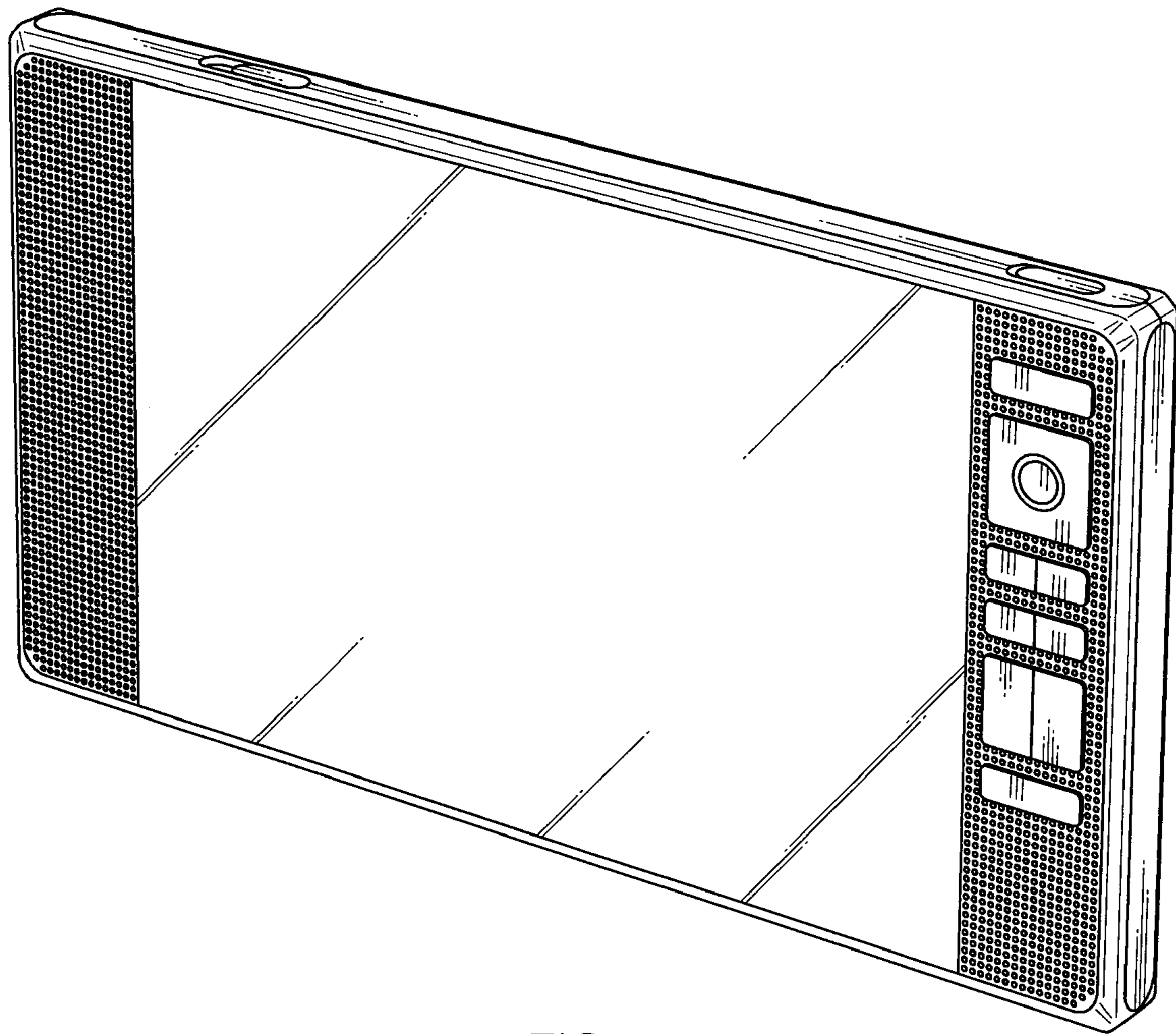


FIG. 1

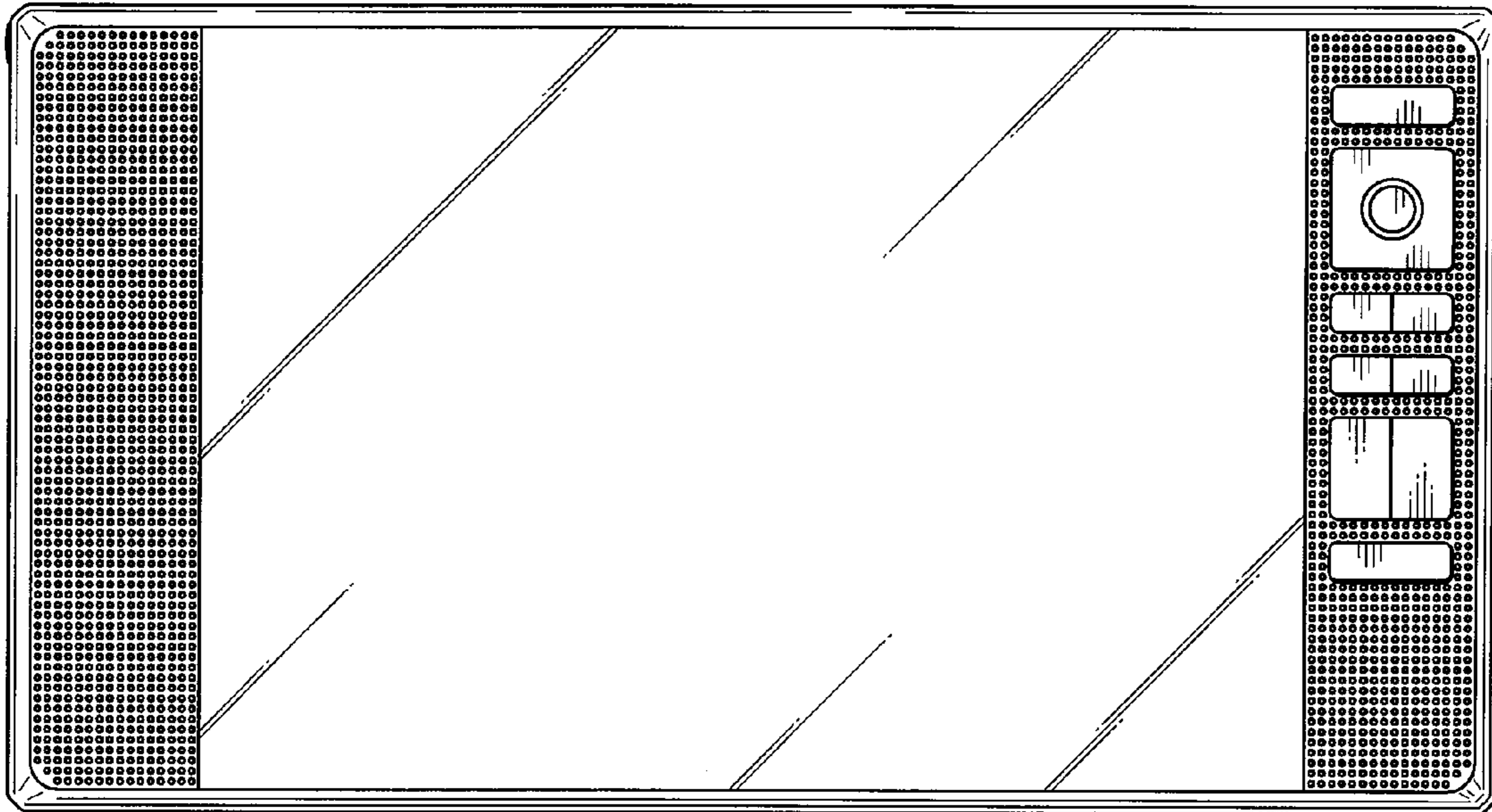


FIG. 2

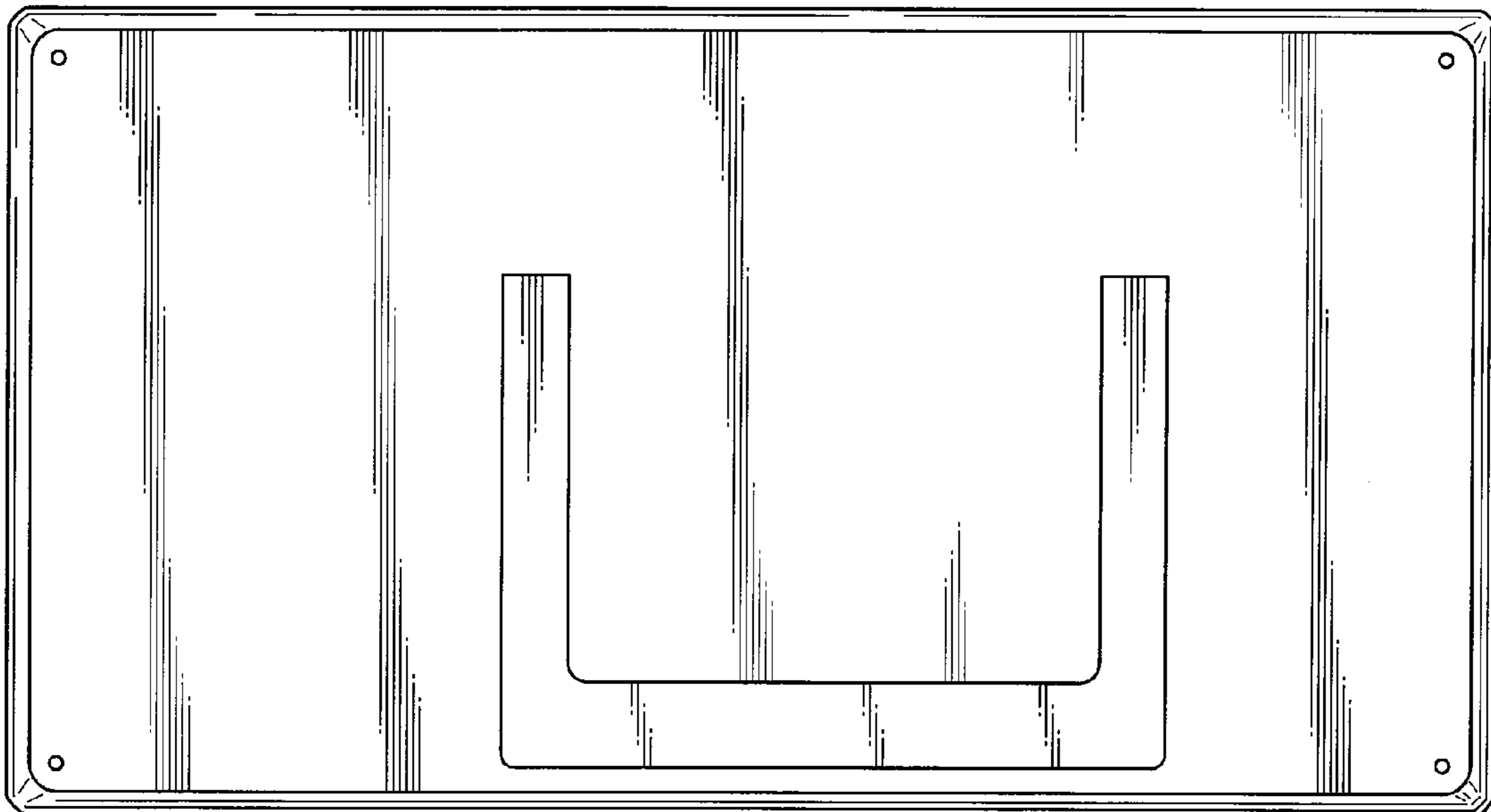


FIG. 3

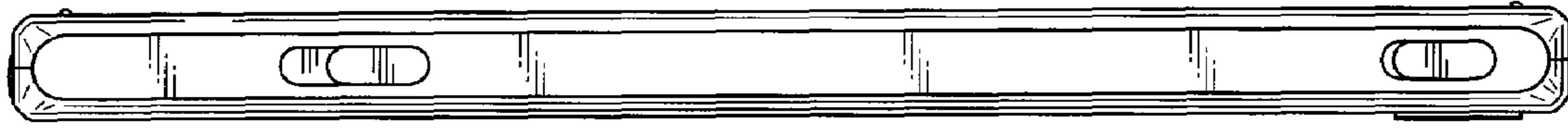


FIG. 4

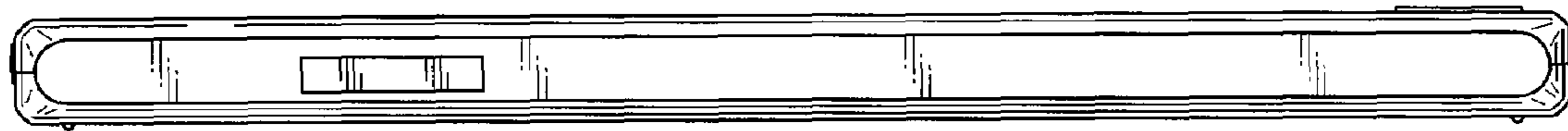


FIG. 5

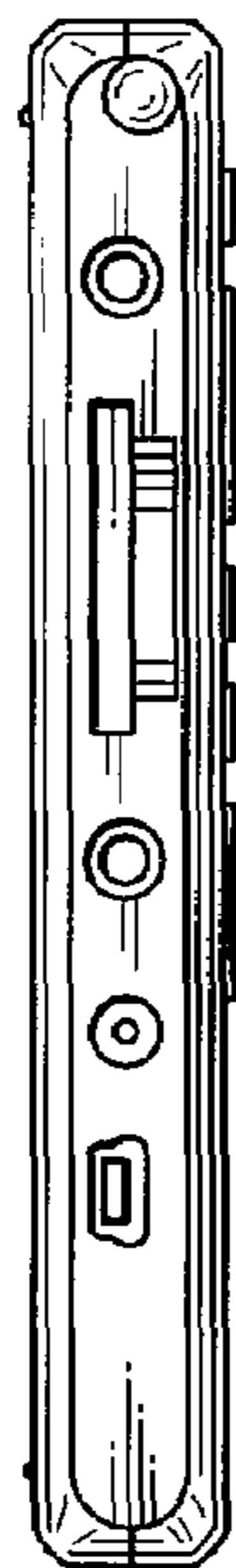


FIG. 6



FIG. 7

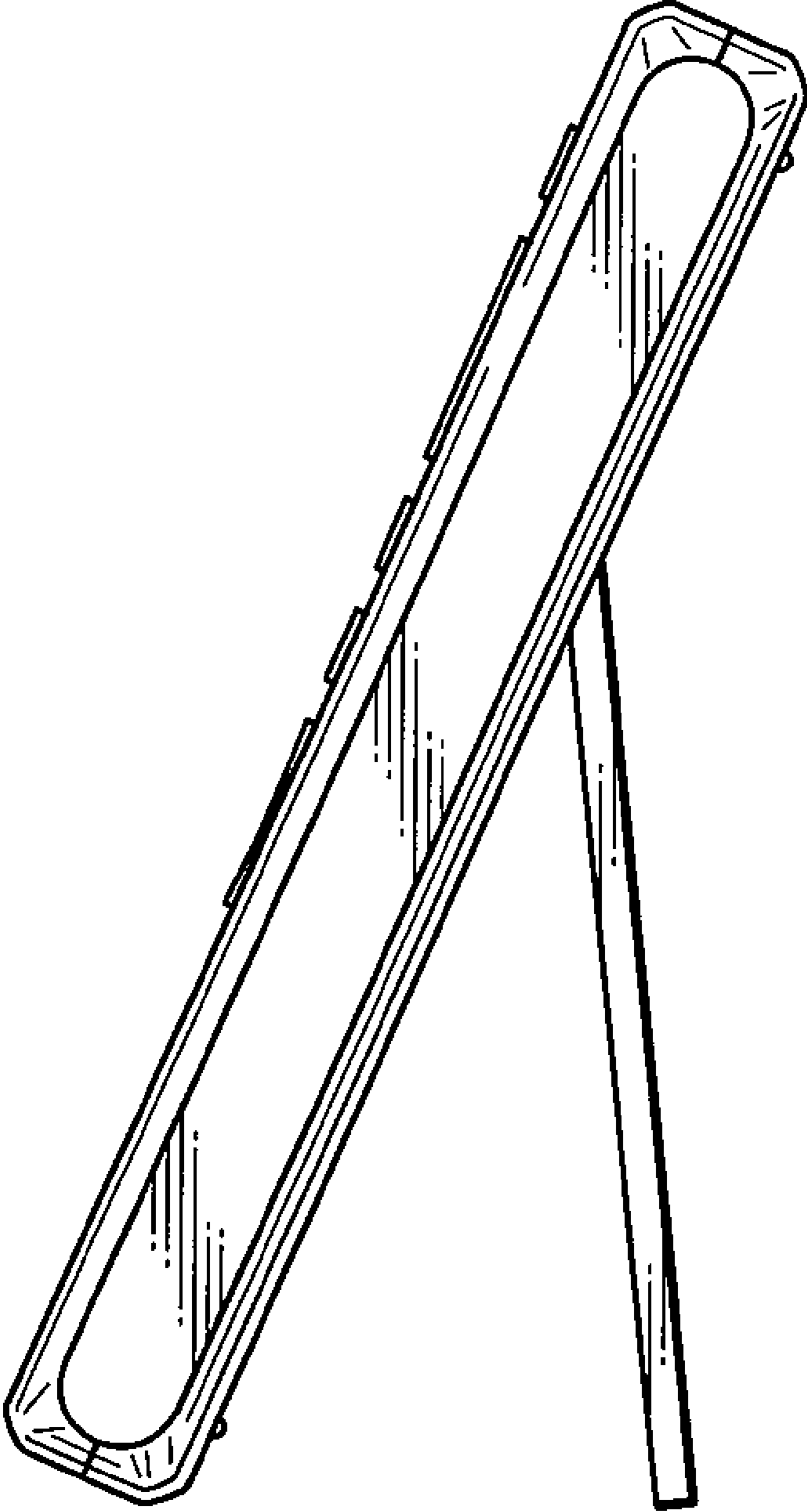


FIG.8