



US00D576168S

(12) **United States Design Patent**  
**Ostroff**

(10) **Patent No.:** **US D576,168 S**

(45) **Date of Patent:** **\*\* Sep. 2, 2008**

(54) **STAND**

2008/0084661 A1\* 4/2008 Lee ..... 361/687

(75) Inventor: **Herbert Ostroff**, Waverley (ZA)

**OTHER PUBLICATIONS**

(73) Assignee: **The Hilan Trust**, Johannesburg (ZA)

Gadget man, Ergo-Tilt Laptop Stand, viewed Apr. 20, 2008, <http://www.gadgetman.co.za/ProductInfo.aspx?productid=ERGO-TILT>.\*

(\*\*) Term: **14 Years**

\* cited by examiner

(21) Appl. No.: **29/267,233**

*Primary Examiner*—Jennifer Rivard

*Assistant Examiner*—Angela J Lee

(22) Filed: **Oct. 10, 2006**

(74) *Attorney, Agent, or Firm*—Mayback & Hoffman, P.A.; Gregory L. Mayback; Scott D. Smiley

(51) **LOC (8) Cl.** ..... **14-03**

(52) **U.S. Cl.** ..... **D14/447**

(58) **Field of Classification Search** ..... D14/432, D14/434, 439, 448, 457, 447, 451, 452; D6/396, D6/419, 420, 473, 474, 512; D19/92, 95; D23/370, 387; 248/917, 918, 919, 920, 921, 248/922, 923, 924, 371, 393, 398, 176.1, 248/176.2, 176.3, 188.6, 346.01, 346.03, 248/346.06, 346.3, 346.4, 346.5, 441.1, 454, 248/455, 456, 460; 312/223.3; 361/680, 361/681, 683, 687, 688, 693, 694, 695; D13/179  
See application file for complete search history.

(57) **CLAIM**

The ornamental design for a stand, as shown and described.

(56) **References Cited**

**DESCRIPTION**

**U.S. PATENT DOCUMENTS**

4,073,460	A *	2/1978	Dale	.....	248/441.1
5,209,452	A *	5/1993	Goldberg	.....	248/676
D437,600	S *	2/2001	Calfee	.....	D14/447
6,220,558	B1 *	4/2001	Broder et al.	.....	248/346.02
D451,292	S *	12/2001	Cheris et al.	.....	D6/349
D455,755	S *	4/2002	Levine et al.	.....	D14/447
D494,977	S *	8/2004	Persson	.....	D14/447
D540,330	S *	4/2007	Eyman et al.	.....	D14/451
D555,162	S *	11/2007	Park et al.	.....	D14/447
2003/0231466	A1 *	12/2003	Huang	.....	361/687
2004/0007649	A1 *	1/2004	Vettraino	.....	248/127
2008/0061207	A1 *	3/2008	Panziera et al.	.....	248/346.01

FIG. 1 is a perspective view of a stand of the present invention from above a front side of the stand with a stand leg in a propped position;

FIG. 2 is a perspective view of the stand of FIG. 1 from below a rear side of the stand with the stand leg in the propped position;

FIG. 3 is a top plan view of the stand of FIG. 1;

FIG. 4 is a side elevational view of the stand of FIG. 1 from the right side, the left side is a mirror image thereof;

FIG. 5 is a perspective view of the stand of FIG. 1 from below a right side of the stand with the stand leg in a storage position; and,

FIG. 6 is a perspective view of the stand of FIG. 1 from below a rear side of the stand with the stand leg in the storage position.

The broken lines are included for the purpose of illustrating environment and form no part of the claimed design.

**1 Claim, 6 Drawing Sheets**

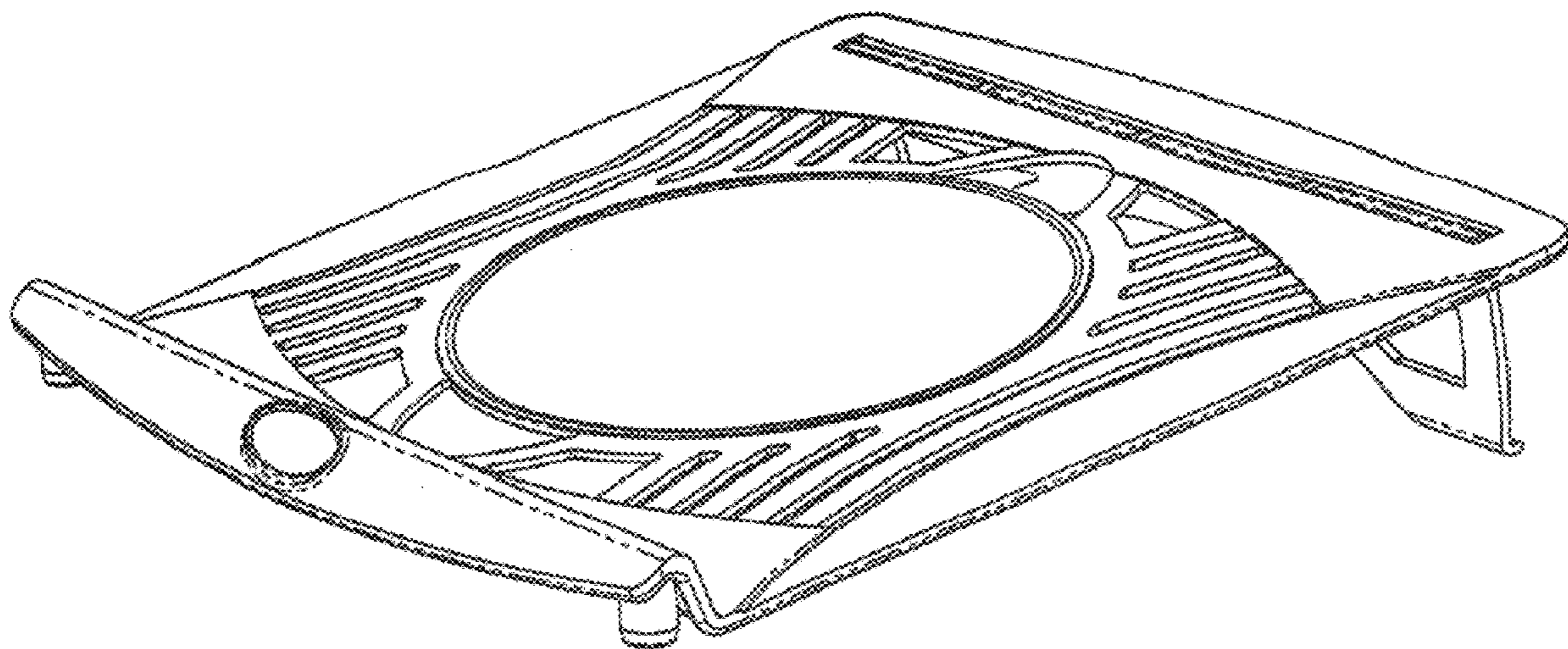


FIG. 1

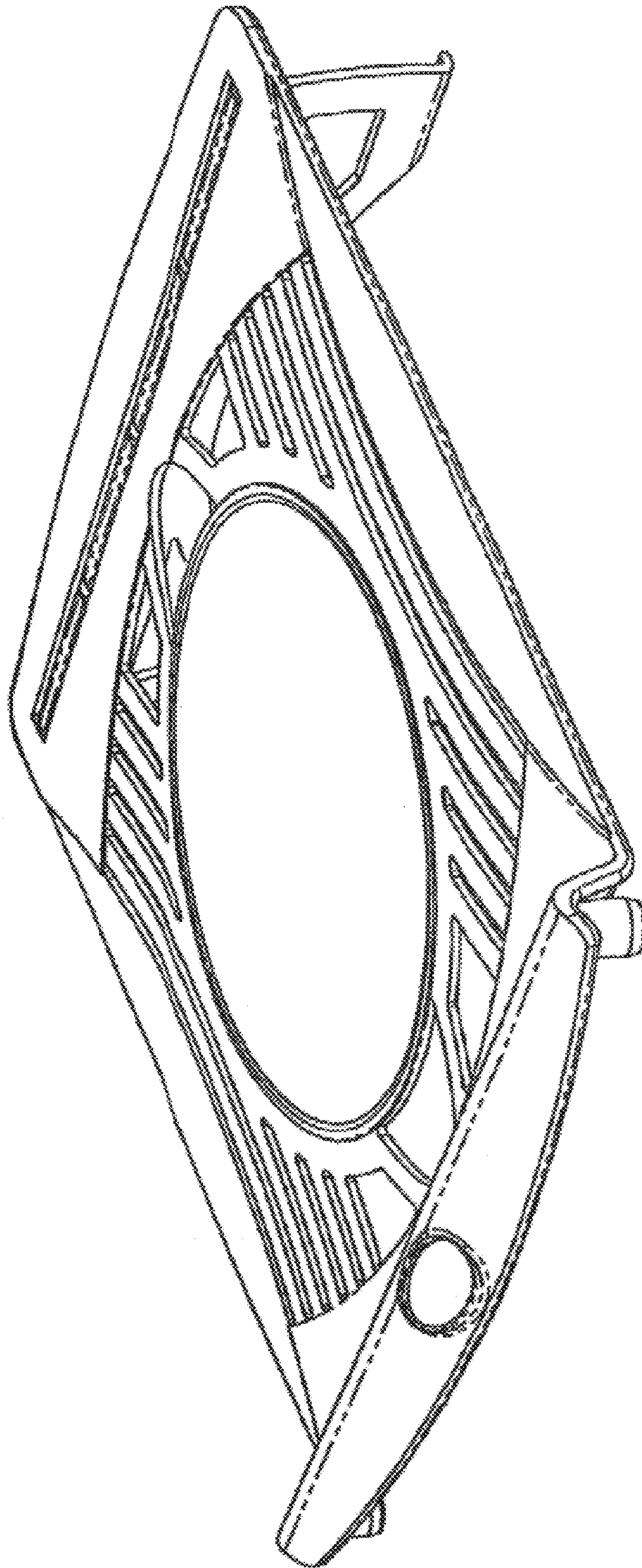


FIG. 2

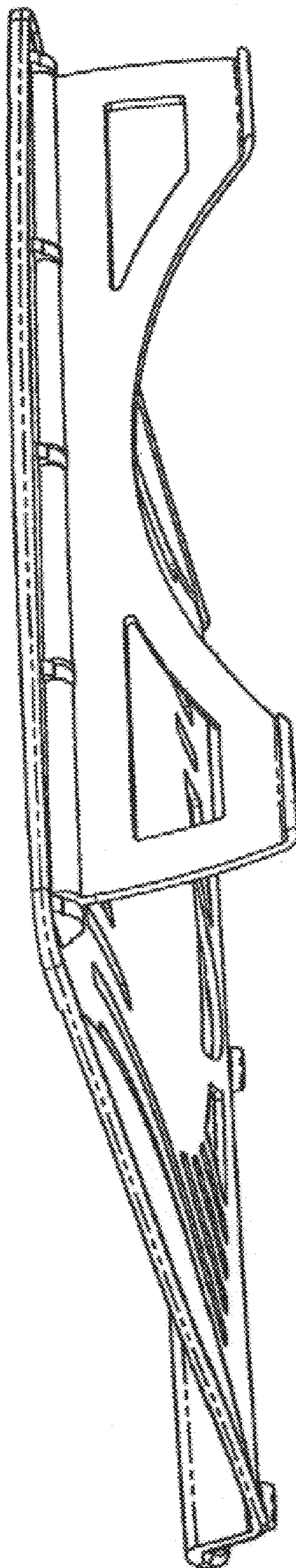


FIG. 3

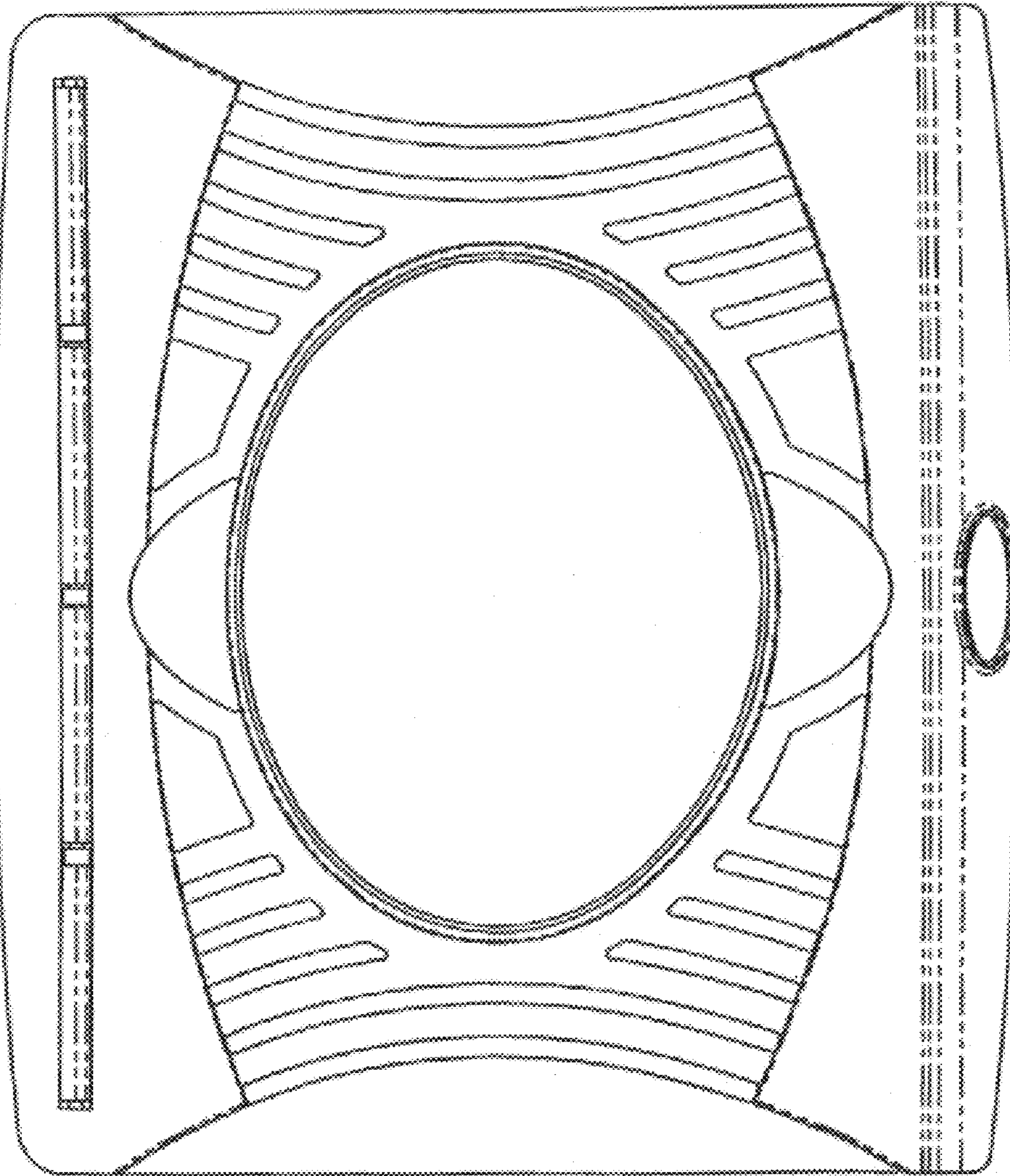


FIG. 4

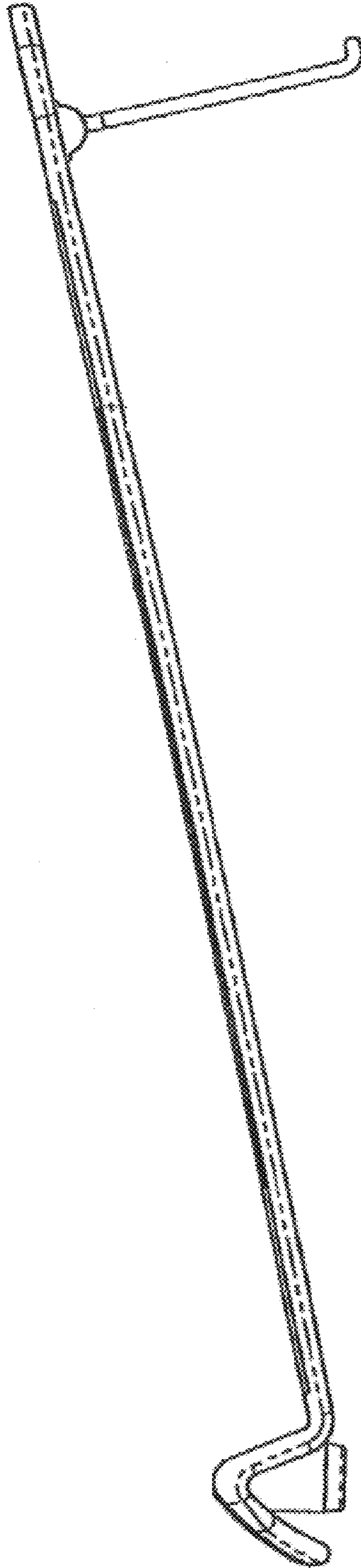


FIG. 5

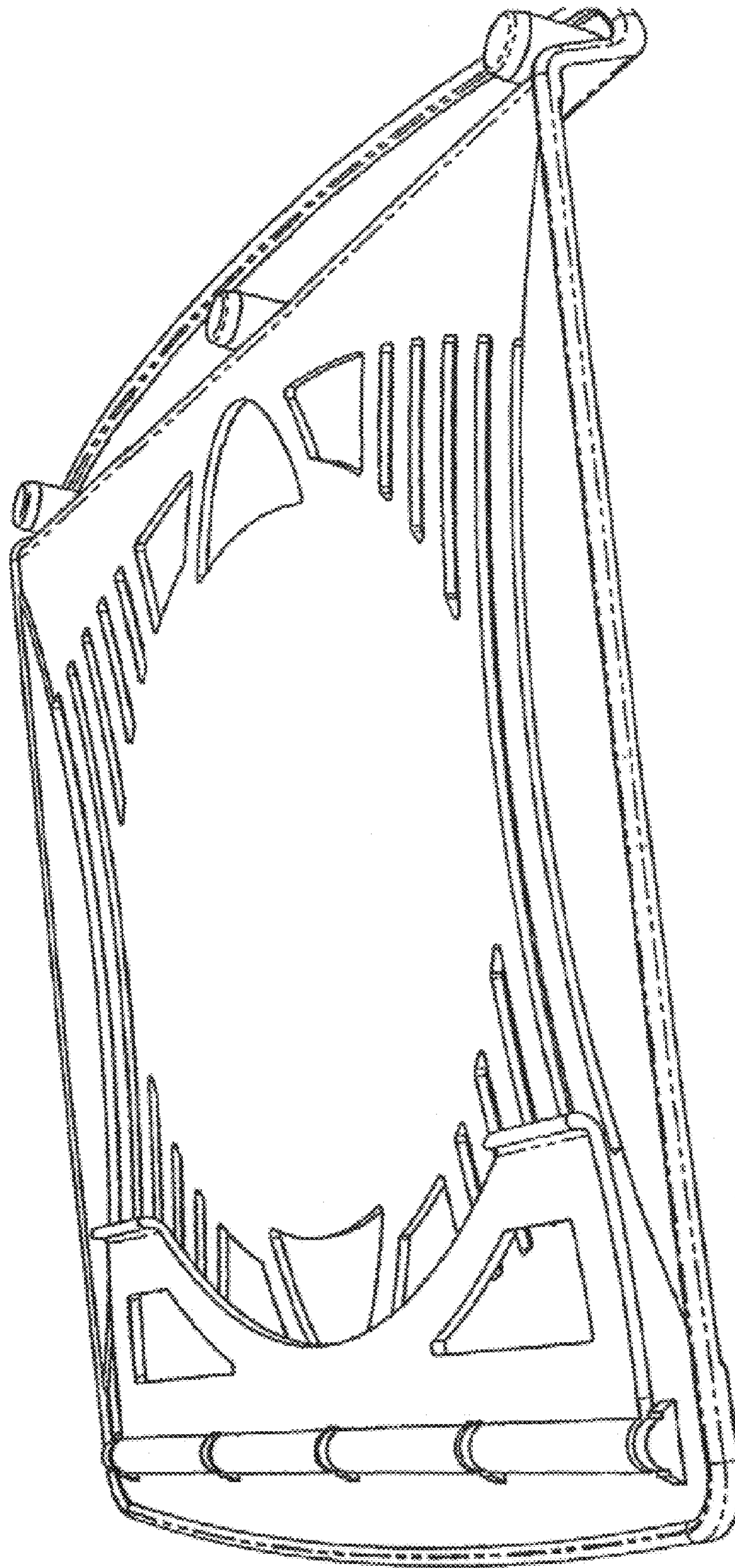


FIG. 6

