

US00D576167S

(12) **United States Design Patent**
Dearborn et al.

(10) **Patent No.:** **US D576,167 S**
(45) **Date of Patent:** **** Sep. 2, 2008**

(54) **SERVER INFORMATION HANDLING SYSTEM BEZEL**

(75) Inventors: **Timothy Dearborn**, Lakeway, TX (US);
Scott Lauffer, Austin, TX (US);
Richard Watson, Norwell, MA (US);
Gabor Zanoni, Boston, MA (US)

(73) Assignee: **Dell Products L.P.**, Round Rock, TX (US)

(**) Term: **14 Years**

(21) Appl. No.: **29/275,837**

(22) Filed: **Jan. 8, 2007**

(51) **LOC (8) Cl.** **14-02**

(52) **U.S. Cl.** **D14/444**

(58) **Field of Classification Search** D14/441-446,
D14/356; D13/162, 184, 199; 312/223.2;
361/690-696; 369/34.01, 36.01

See application file for complete search history.

(56) **References Cited**

U.S. PATENT DOCUMENTS

5,248,193	A	9/1993	Schlemmer	312/223.2
D345,964	S	4/1994	Hultgren et al.	D14/100
D379,623	S	6/1997	Wu	D14/102
D380,743	S	7/1997	Avalos et al.	D14/107
5,790,278	A	8/1998	Ehrne et al.	358/496
D427,162	S	6/2000	Nagase	D14/107
D428,892	S *	8/2000	Haimson	D14/441
6,278,606	B1	8/2001	Schmitt et al.	361/683
6,297,952	B1	10/2001	Liu et al.	361/685

D462,349	S *	9/2002	Tanaka	D14/356
6,549,398	B2	4/2003	Chen	361/683
D478,077	S	8/2003	Poole et al.	D14/349
D478,586	S	8/2003	Lee et al.	D14/349
D482,695	S *	11/2003	Storti et al.	D14/444
D494,169	S	8/2004	Lin	D14/349
D497,162	S	10/2004	Neal et al.	D14/349
D504,895	S	5/2005	Frank et al.	D14/441
D537,444	S	2/2007	Lauffer et al.	D14/349
2003/0122457	A1	7/2003	Diaz et al.	312/223.2
2005/0012436	A1	1/2005	Lai	312/223.2

* cited by examiner

Primary Examiner—Freda S Nunn

(74) *Attorney, Agent, or Firm*—Hamilton & Terrile, LLP;
Stephen A. Terrile

(57) **CLAIM**

The ornamental design for a server information handling system bezel, as shown and described.

DESCRIPTION

FIG. 1 is a front view of the server information handling system bezel comprising the present invention;

FIG. 2 is a left side view thereof;

FIG. 3 is a right side view thereof;

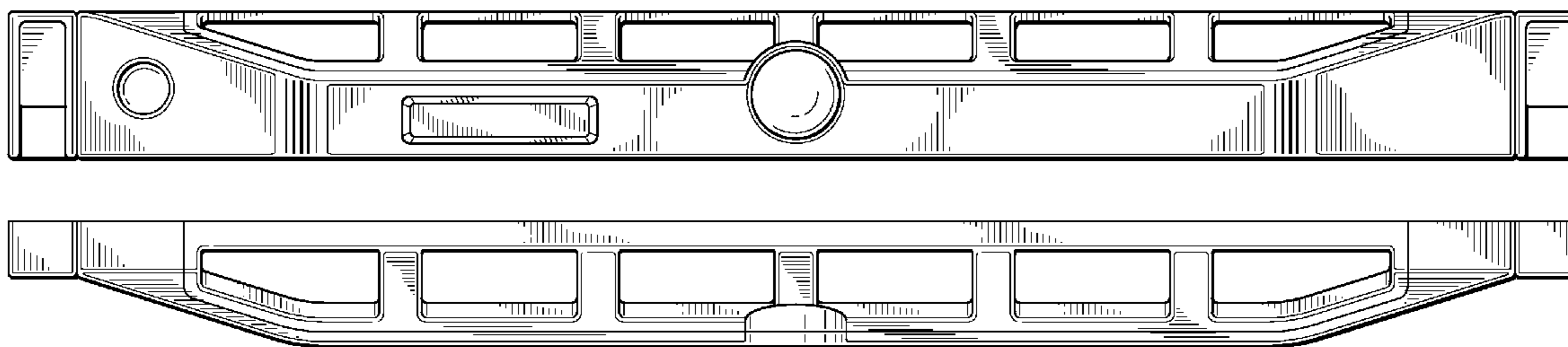
FIG. 4 is a top plan view thereof;

FIG. 5 is a bottom plan view thereof; and,

FIG. 6 is a rear view thereof.

Broken lines are shown for illustrative purposes only and form no part of the claimed design.

1 Claim, 2 Drawing Sheets



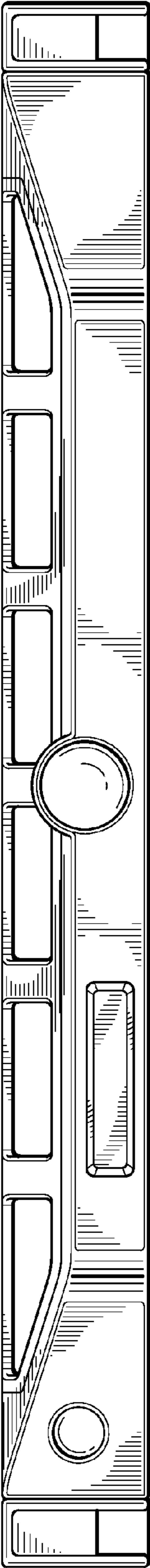


FIG. 1

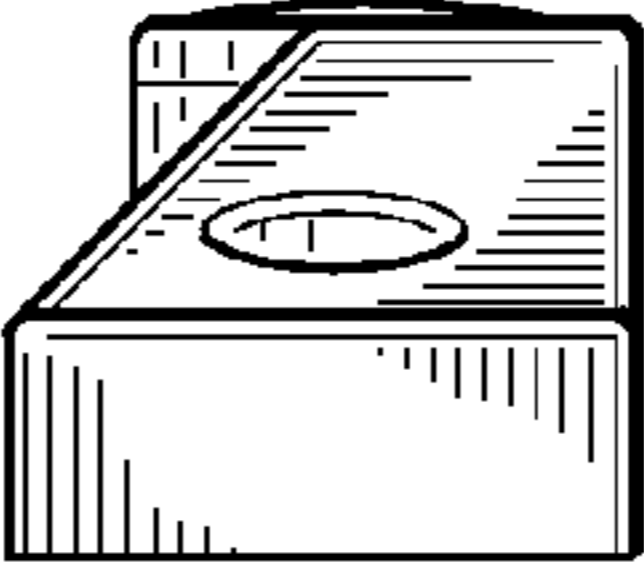


FIG. 2

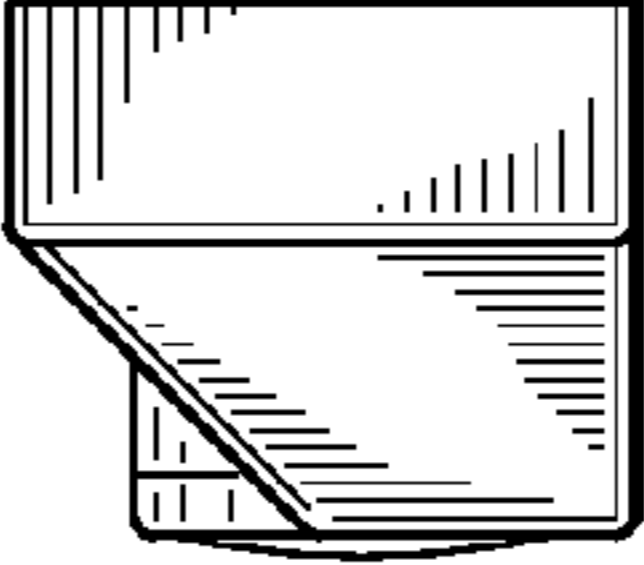


FIG. 3

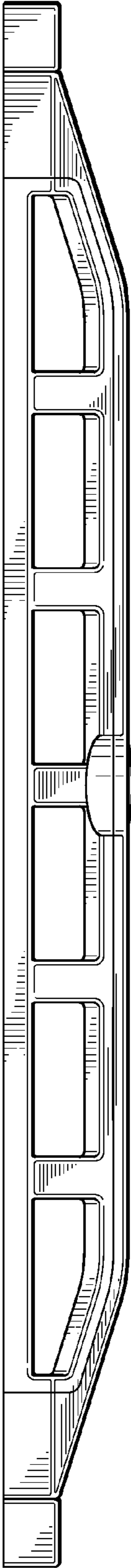


FIG. 4

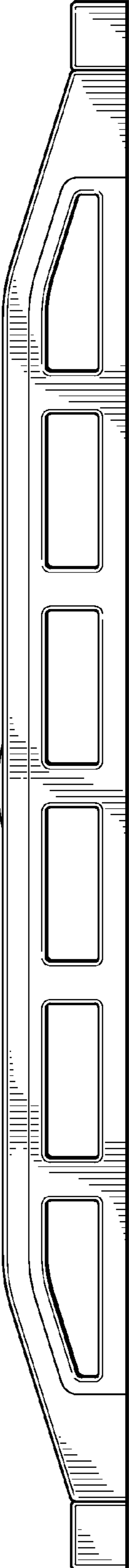


FIG. 5

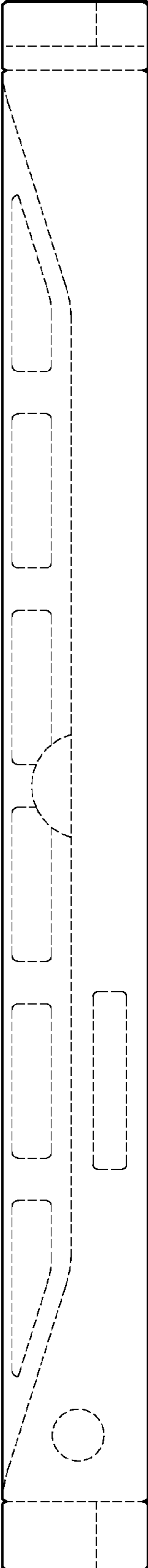


FIG. 6