



US00D576166S

(12) **United States Design Patent**
Mori et al.

(10) **Patent No.:** **US D576,166 S**
(45) **Date of Patent:** **** Sep. 2, 2008**

(54) **STACKABLE HUB WITH CABLE MANAGEMENT FEATURE**

(75) Inventors: **Kenneth Mori**, Los Angeles, CA (US);
Yoko Iida, Los Angeles, CA (US);
Steven Lane, Orange, CA (US)

(73) Assignee: **Belkin International, Inc.**, Compton, CA (US)

(**) Term: **14 Years**

(21) Appl. No.: **29/268,035**

(22) Filed: **Oct. 27, 2006**

(51) **LOC (8) Cl.** **14-01**

(52) **U.S. Cl.** **D14/433**

(58) **Field of Classification Search** D14/356,
D14/432-434; 439/638-639, 650-652, 910,
439/928; 361/679-687

See application file for complete search history.

(56) **References Cited**

U.S. PATENT DOCUMENTS

D436,109 S * 1/2001 Tong et al. D14/434
6,607,408 B2 * 8/2003 Milan 439/928
D510,091 S * 9/2005 Mori et al. D14/434
D516,074 S * 2/2006 Ho et al. D14/433
D524,310 S * 7/2006 Kent et al. D14/356

D530,717 S * 10/2006 Mori et al. D14/434
D537,056 S * 2/2007 Endo et al. D14/136
D559,849 S * 1/2008 Siu D14/433
D561,762 S * 2/2008 Mori D14/434
7,329,152 B2 * 2/2008 Mori et al. 439/638

* cited by examiner

Primary Examiner—Brian N Vinson

(74) *Attorney, Agent, or Firm*—Bryan Cave LLP

(57) **CLAIM**

We claim the ornamental design for a stackable hub with cable management feature, as shown and described.

DESCRIPTION

FIG. 1 is a top, front, left side isometric view of the stackable hub with cable management feature;

FIG. 2 is a top view thereof;

FIG. 3 is a left side view thereof;

FIG. 4 is a right side view thereof;

FIG. 5 is a front view thereof;

FIG. 6 is a bottom view thereof; and,

FIG. 7 is a back view thereof.

The broken lines in the drawings are for illustrative purposes only and form no part of the claimed design.

1 Claim, 2 Drawing Sheets

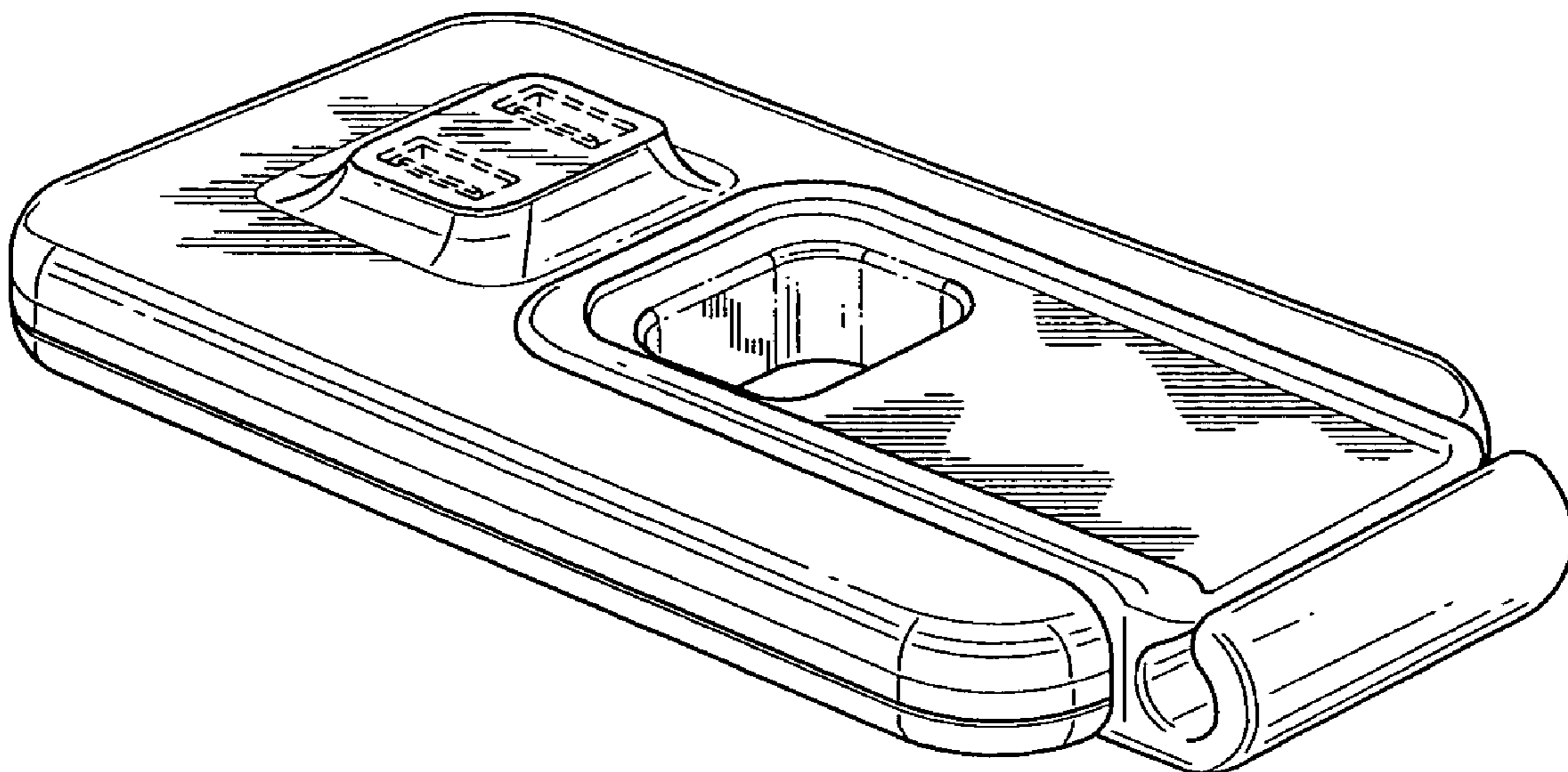


FIG. 1

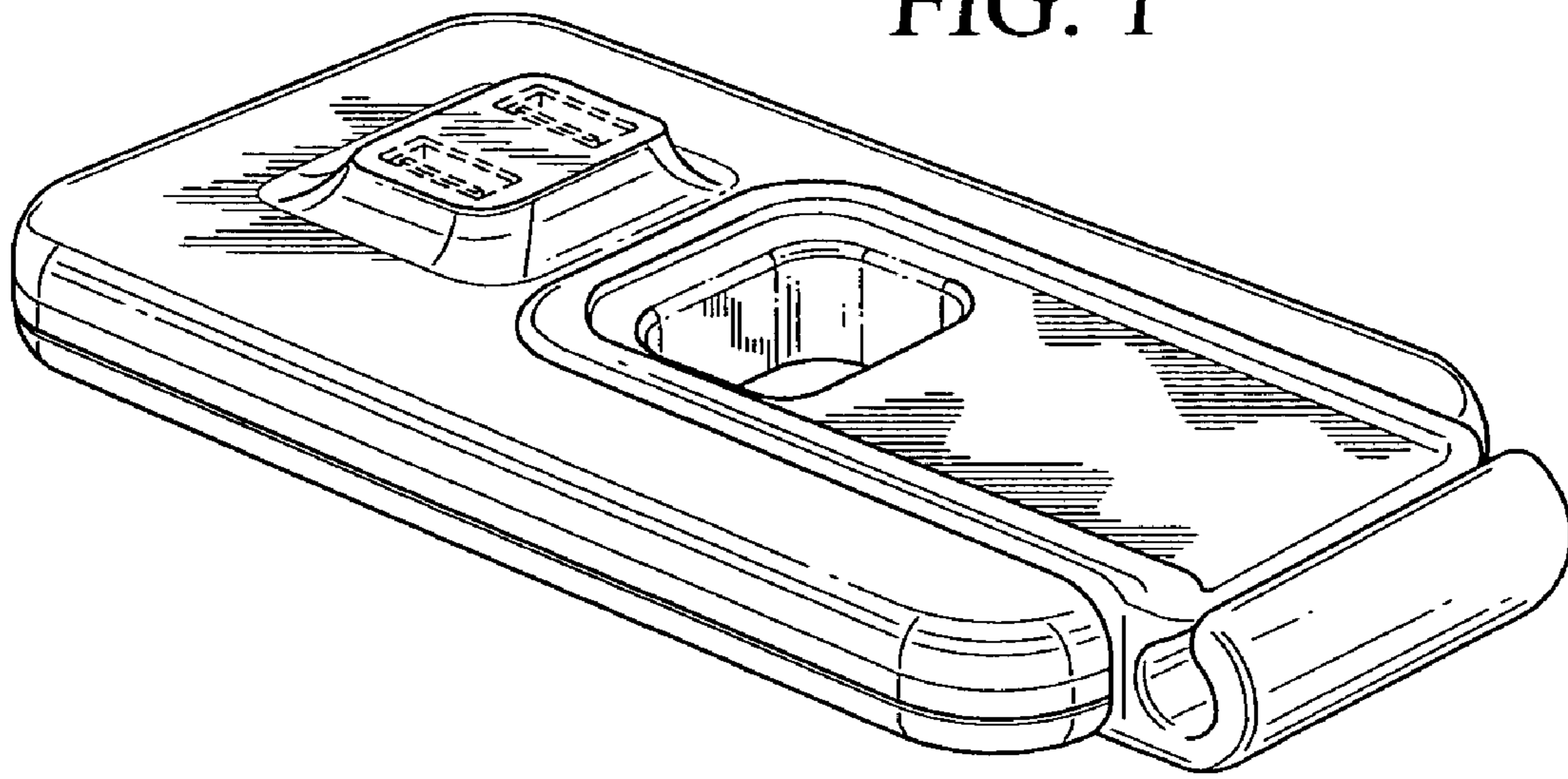


FIG. 2

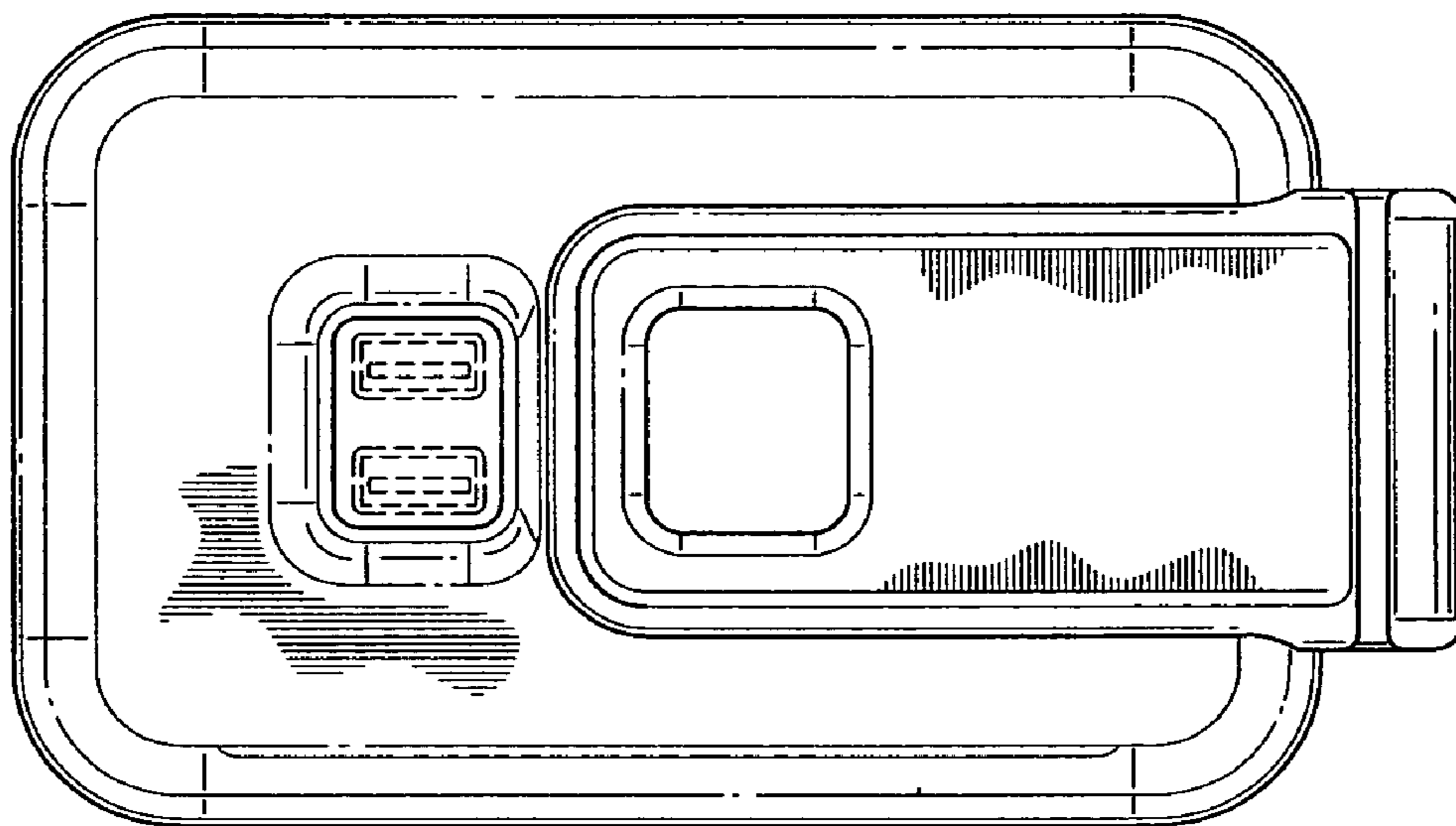


FIG. 3

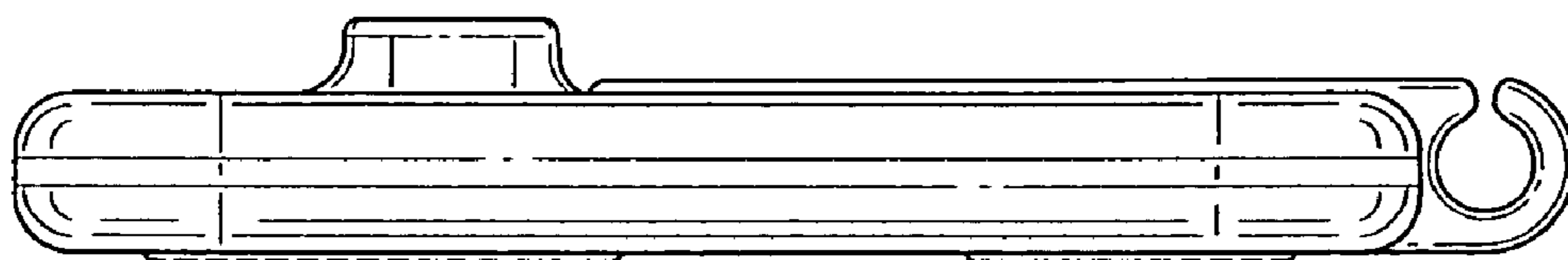


FIG. 5

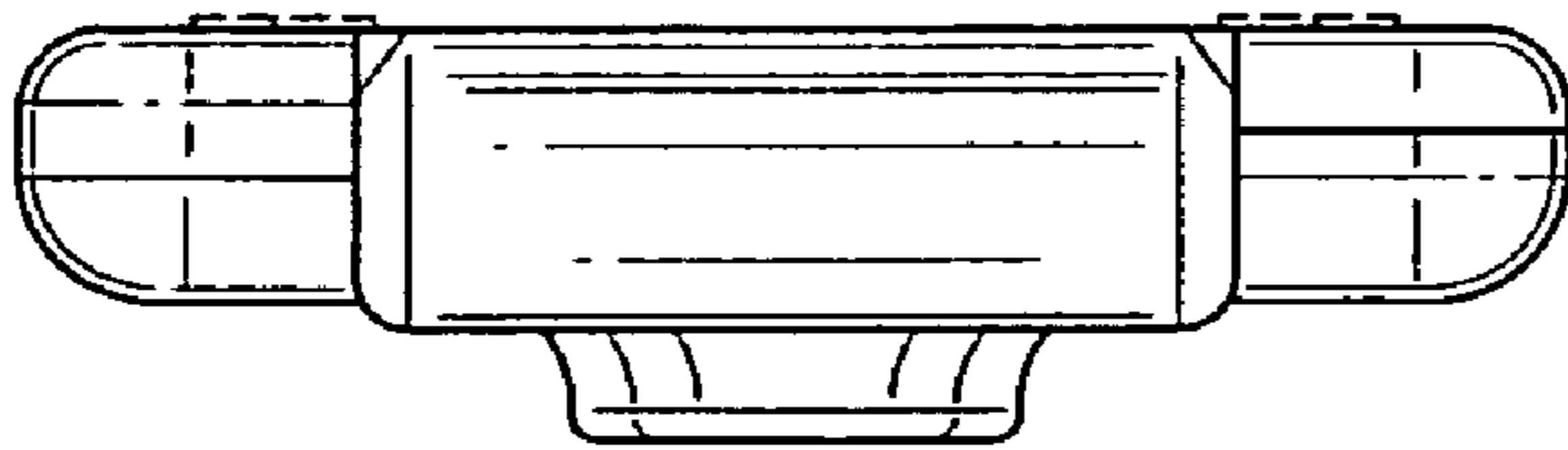


FIG. 6

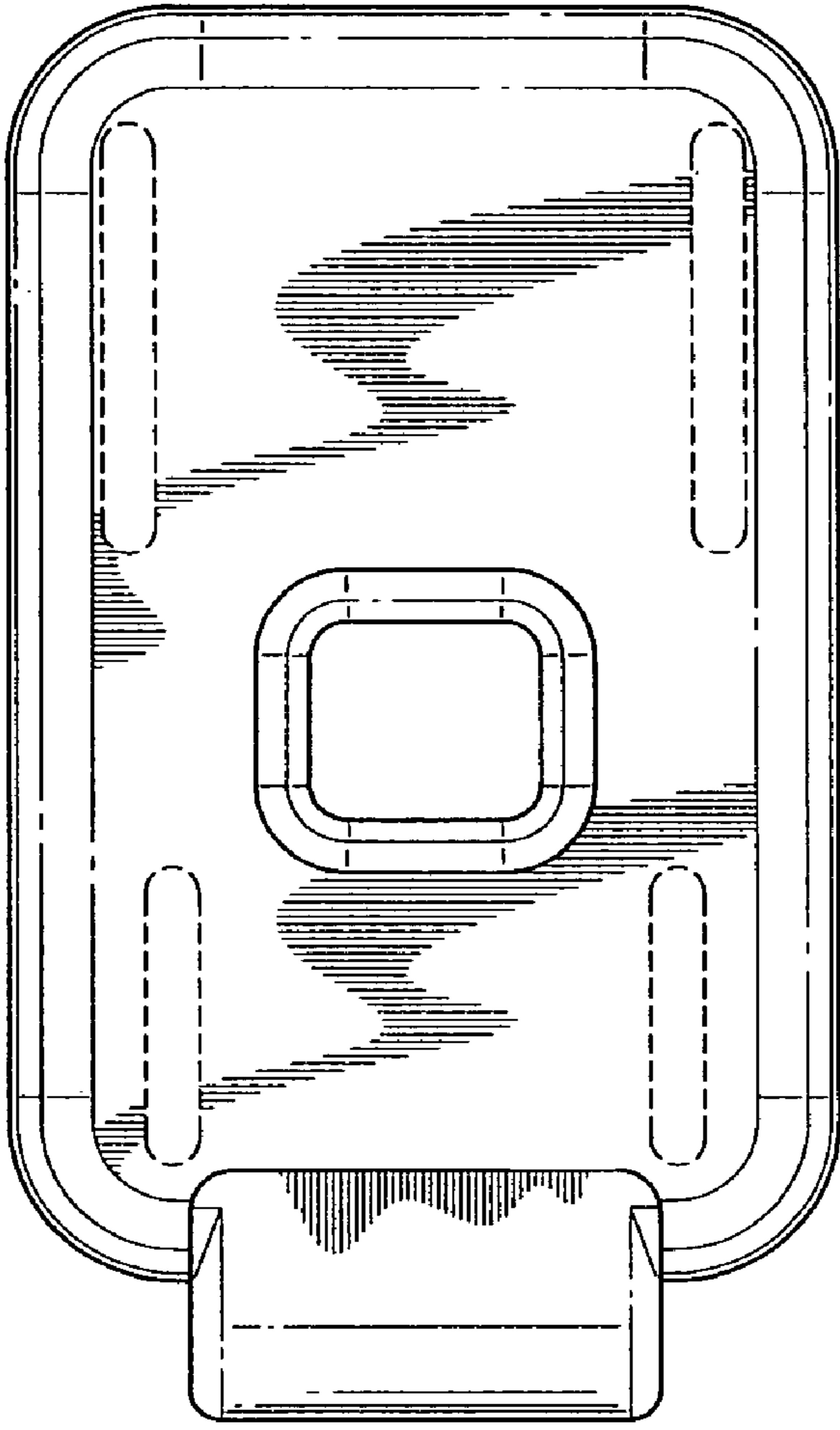


FIG. 7

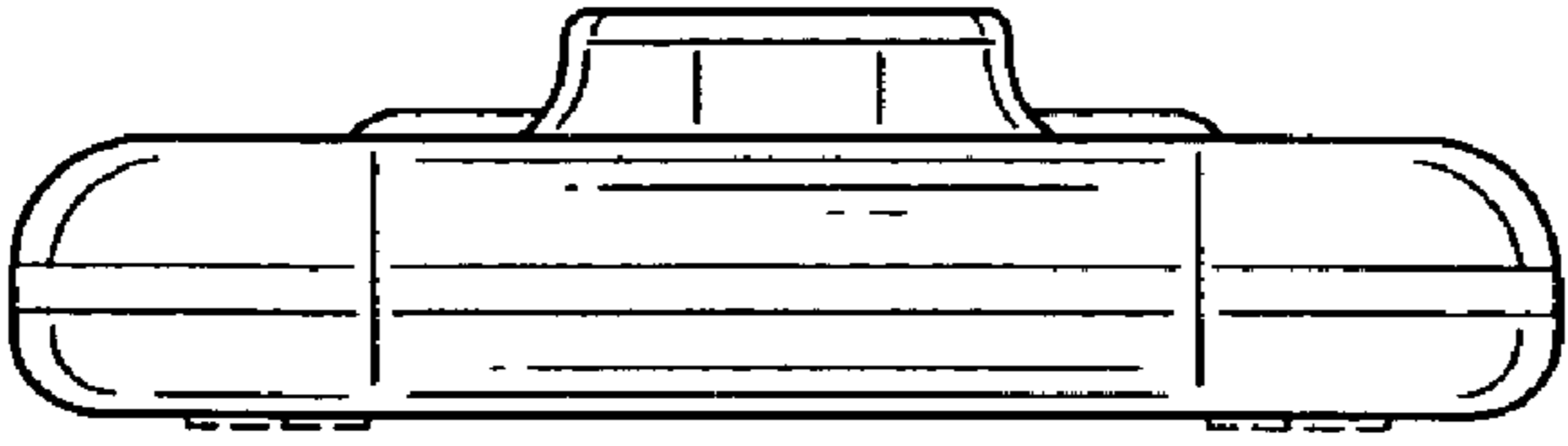


FIG. 4

