



US00D576160S

(12) **United States Design Patent**
Sei et al.

(10) **Patent No.:** **US D576,160 S**
(45) **Date of Patent:** **** Sep. 2, 2008**

(54) **DIGITAL AUDIO DISC PLAYER WITH RADIO TUNER FOR AUTOMOBILE**

(75) Inventors: **Kazufumi Sei**, Kanagawa (JP); **Shinichi Ohtsuki**, Kanagawa (JP); **Hiroshi Yamamoto**, Kanagawa (JP)

(73) Assignee: **Victor Company of Japan, Limited**, Yokohama-shi, Kanagawa (JP)

(**) Term: **14 Years**

(21) Appl. No.: **29/288,706**

(22) Filed: **Jun. 20, 2007**

(30) **Foreign Application Priority Data**

Dec. 21, 2006 (JP) 2006-035162

(51) **LOC (8) Cl.** **14-01**

(52) **U.S. Cl.** **D14/258**

(58) **Field of Classification Search** D14/135-136, D14/156-157, 167-168, 198, 188, 217, 257, D14/258, 445; 360/99.02, 137, 99.07; 369/75.11, 369/75.21, 77.21, 77.11; 720/612, 619, 647, 720/655; 455/344, 347-351
See application file for complete search history.

(56) **References Cited**

U.S. PATENT DOCUMENTS

5,848,042 A * 12/1998 Takahashi et al. 360/137

D427,990 S * 7/2000 Ito et al. D14/156
D443,868 S * 6/2001 Ito et al. D14/168
D538,257 S * 3/2007 Shimizu D14/156
D540,294 S * 4/2007 Yamashita D14/156

* cited by examiner

Primary Examiner—Nanda Bondade

(74) *Attorney, Agent, or Firm*—Osha Liang LLP

(57) **CLAIM**

The ornamental design for a digital audio disc player with radio tuner for automobile, as shown and described.

DESCRIPTION

FIG. 1 is a perspective view of front, right side and top plan view of a digital audio disc player with radio tuner for automobile showing our new design;

FIG. 2 is a front view thereof;

FIG. 3 is a rear view thereof;

FIG. 4 is a left side view thereof;

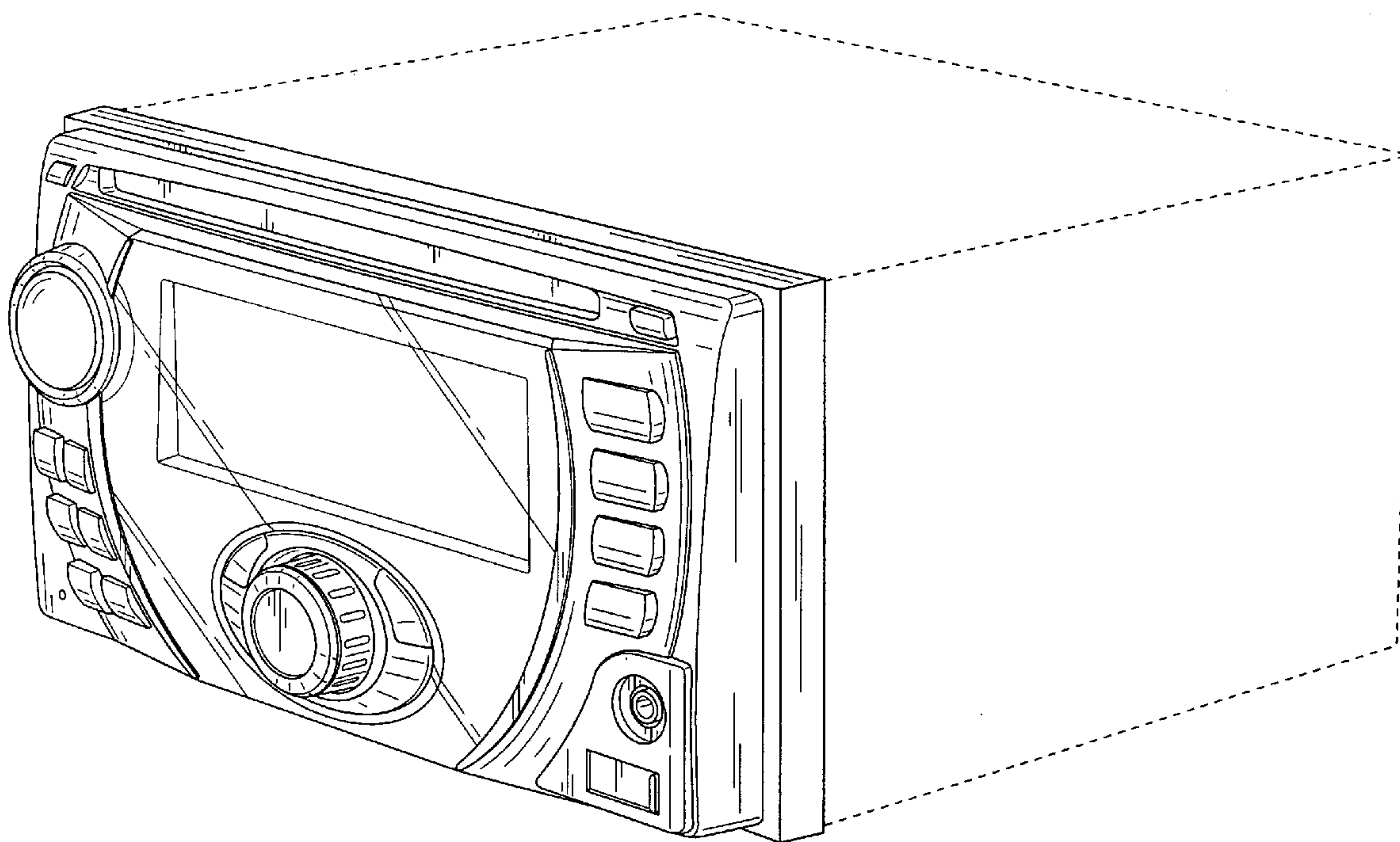
FIG. 5 is a right side view thereof;

FIG. 6 is a top plan view thereof; and,

FIG. 7 is a bottom view thereof.

The elements shown in broken lines are for illustrative purposes only and form no part of the claimed design.

1 Claim, 6 Drawing Sheets



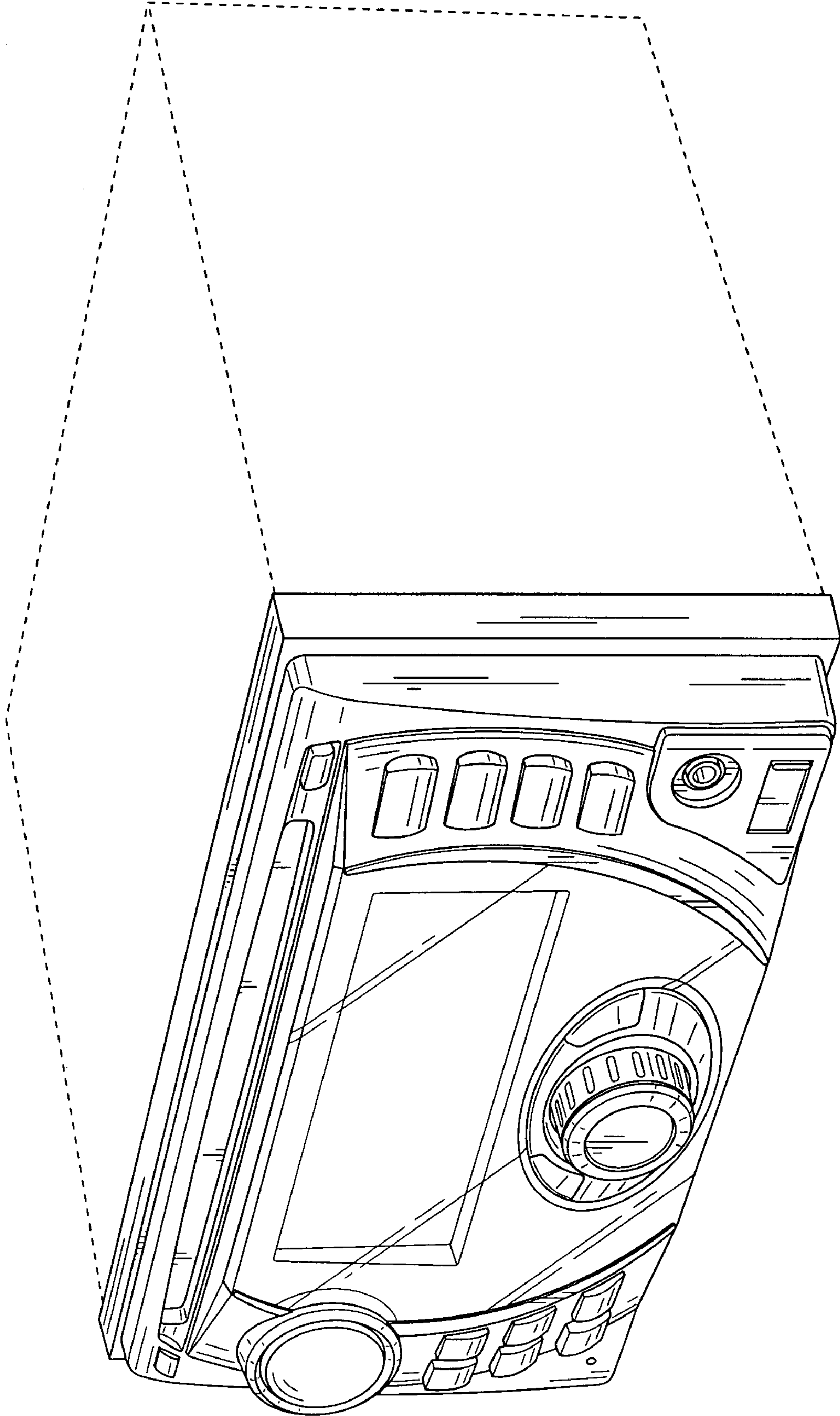


FIG. 1

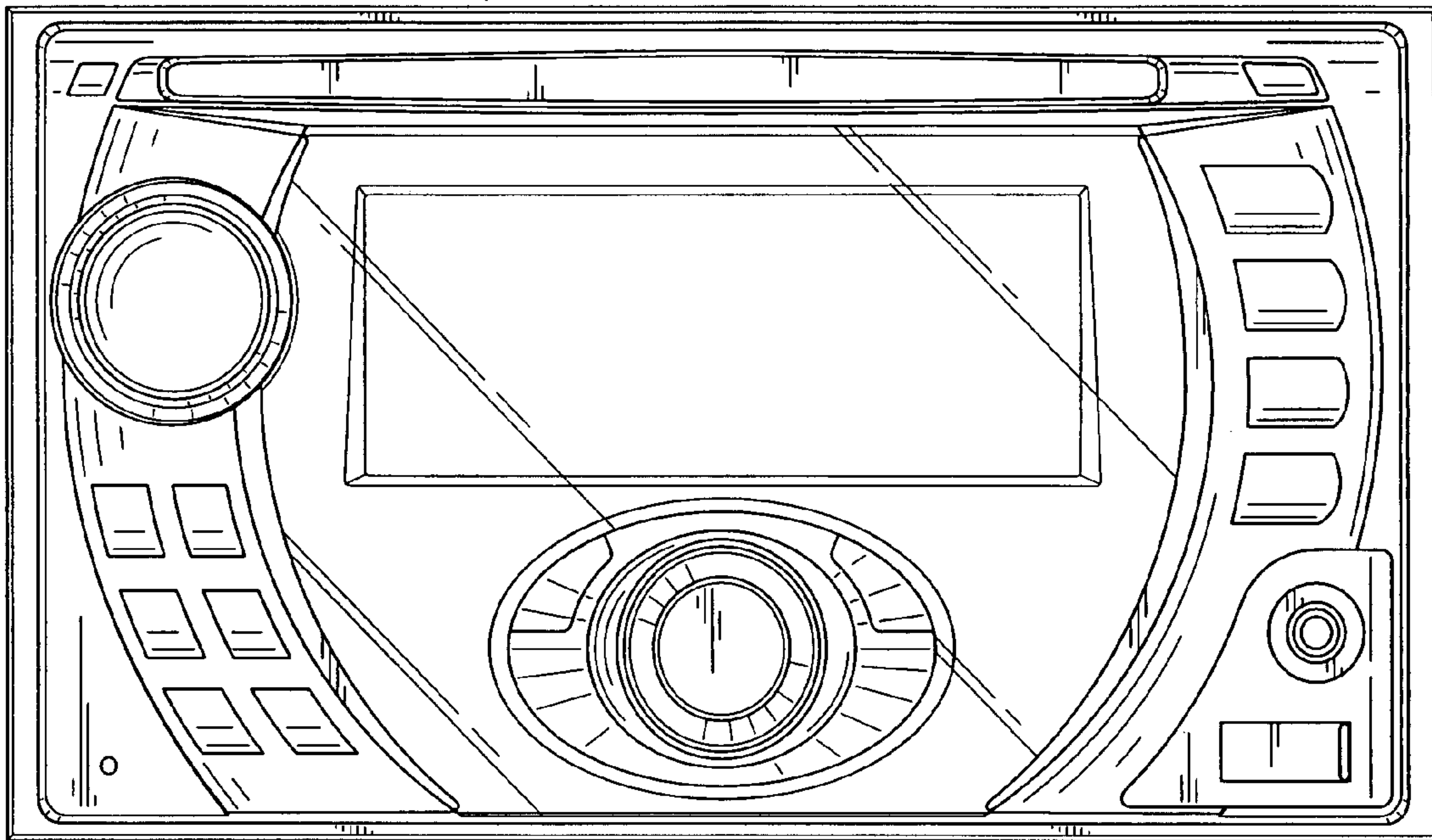


FIG. 2



FIG. 3

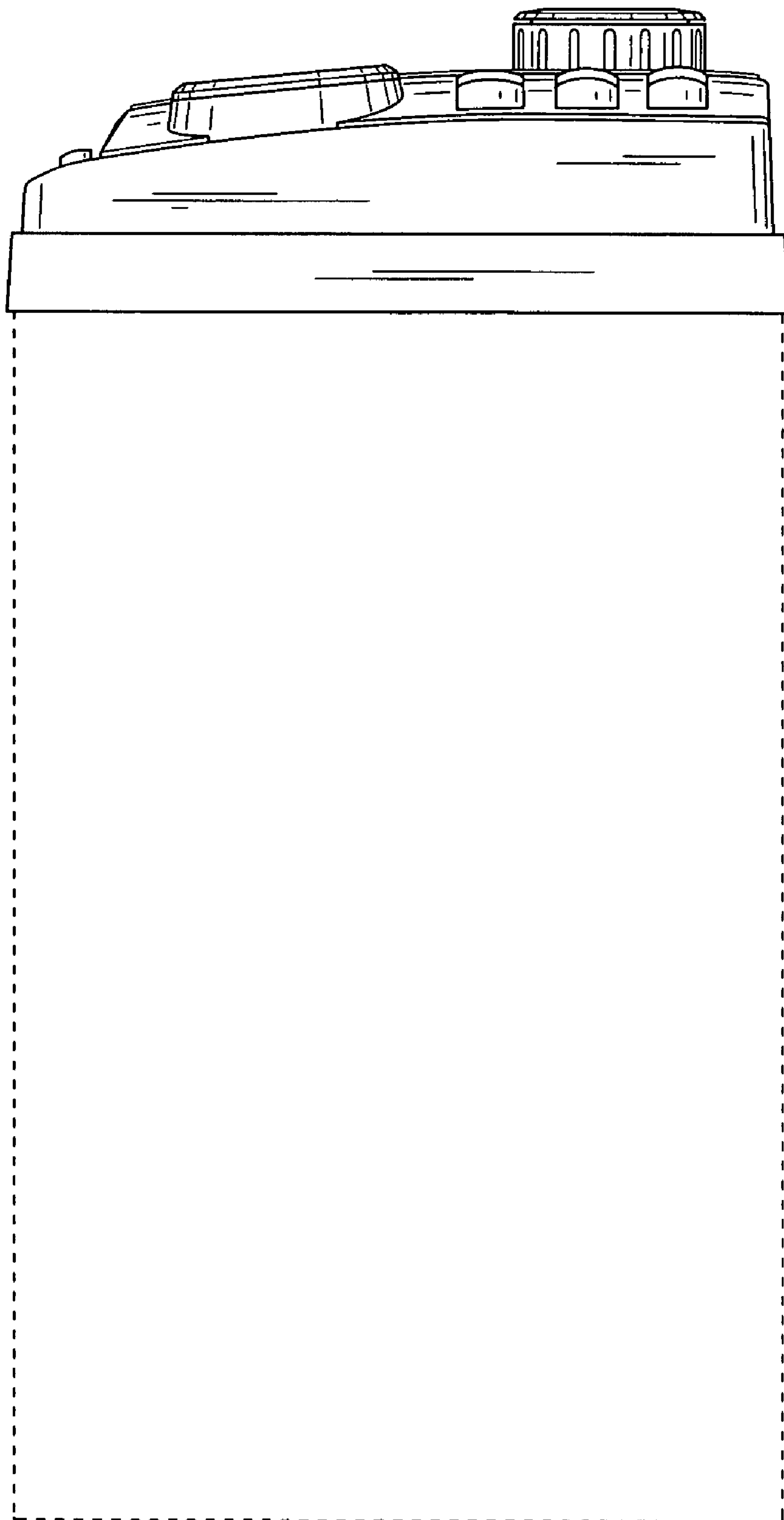


FIG. 4

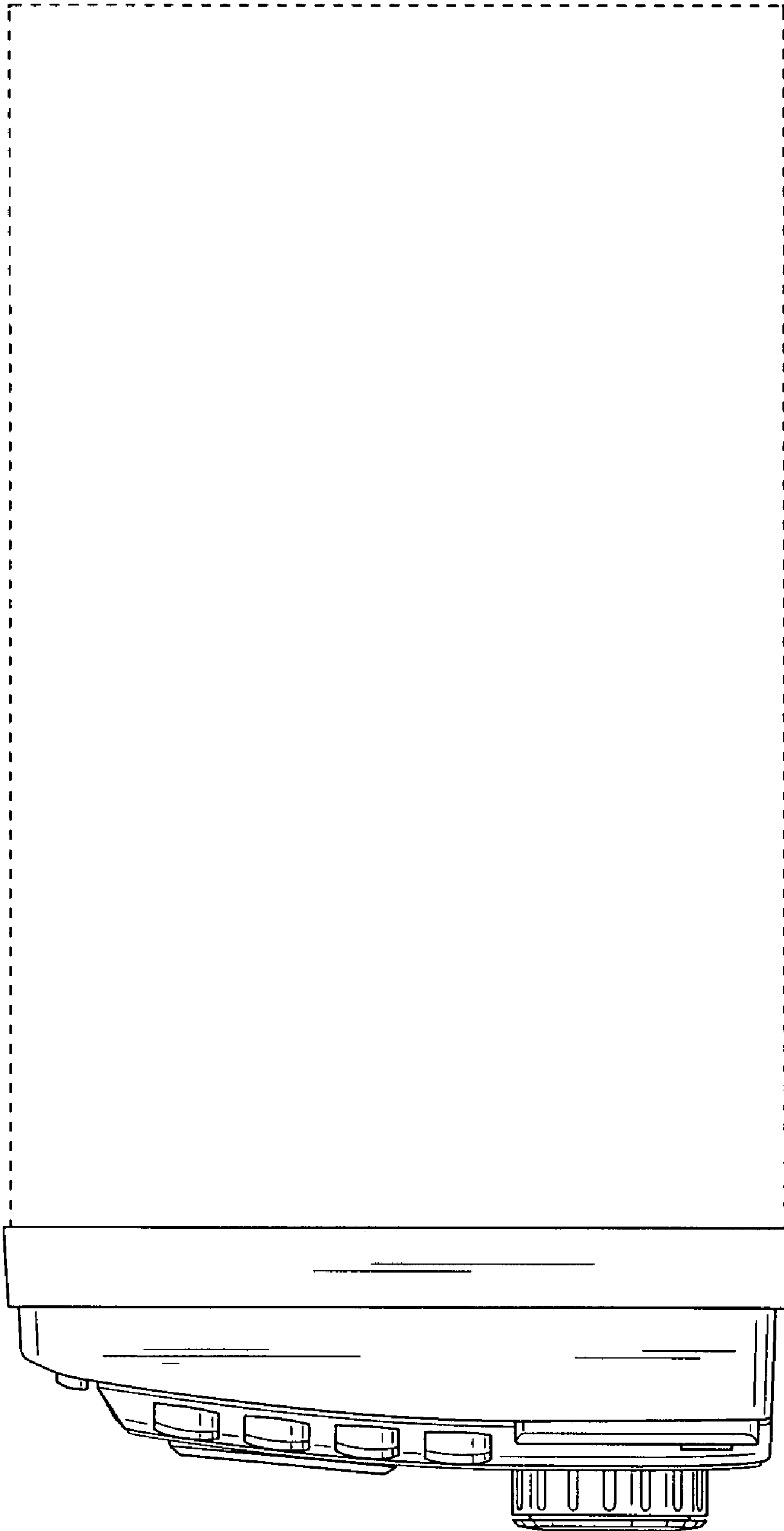


FIG. 5

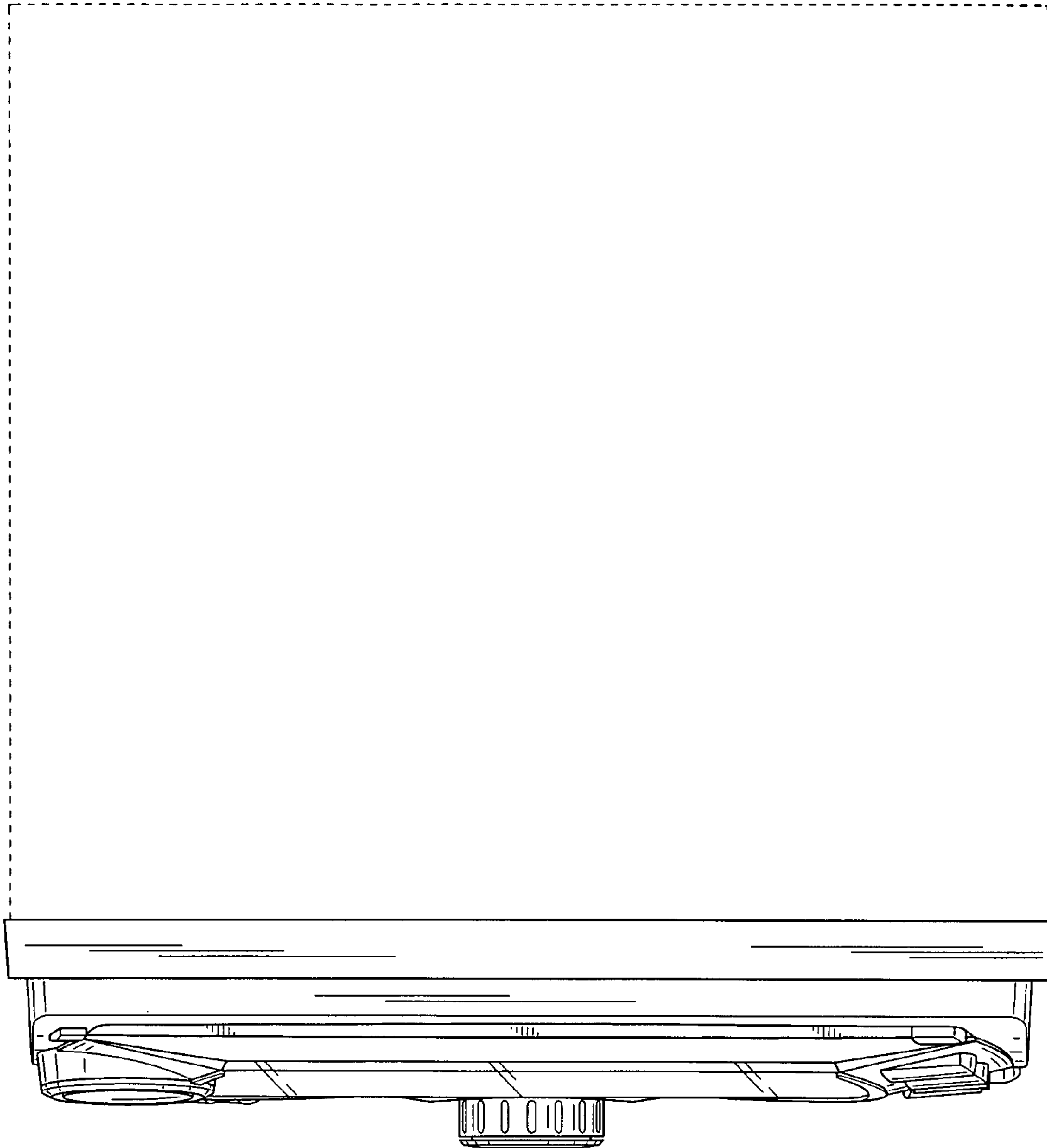


FIG. 6

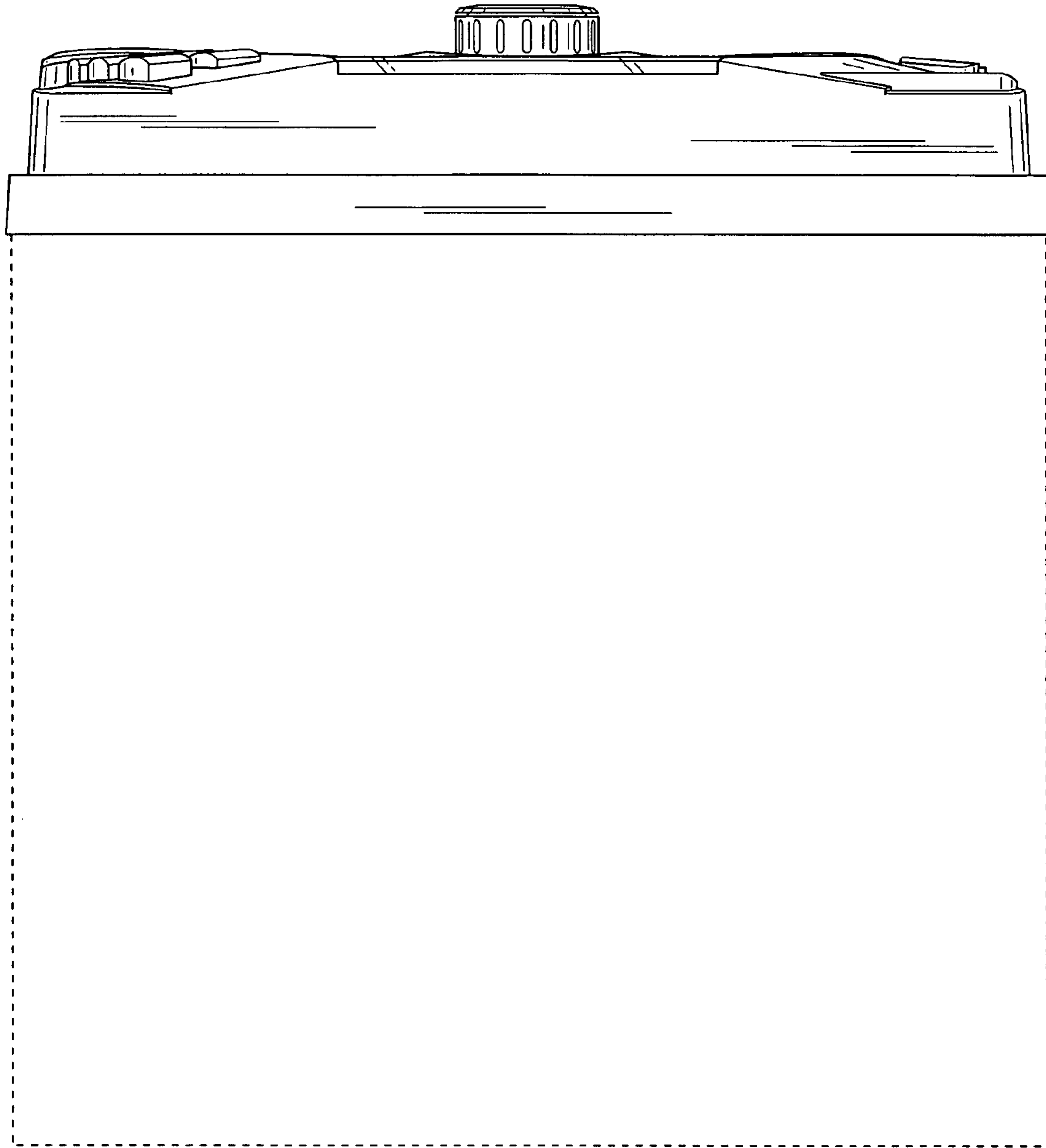


FIG. 7