



US00D576159S

(12) **United States Design Patent**
Price et al.

(10) **Patent No.:** **US D576,159 S**
(45) **Date of Patent:** **** Sep. 2, 2008**

(54) **RADIO CONTROL PANEL IN A VEHICLE**

TW D110139 4/1994
TW D112085 6/1994

(75) Inventors: **Carl J. Price**, Marlborough, MA (US);
Gustavo L. Fontana, Framingham, MA (US)

OTHER PUBLICATIONS

Search Report in Corresponding Taiwan Application No. 096302169, dated Dec. 17, 2007, 2 pgs.

(73) Assignee: **Bose Corporation**, Framingham, MA (US)

* cited by examiner

(**) Term: **14 Years**

Primary Examiner—Robert M. Spear
Assistant Examiner—Katrina A Kile

(21) Appl. No.: **29/249,775**

(74) *Attorney, Agent, or Firm*—Fish & Richardson P.C.

(22) Filed: **Oct. 20, 2006**

(57) **CLAIM**

(51) **LOC (8) Cl.** **14-01**

The ornamental design for a radio control panel in a vehicle, substantially as shown and described.

(52) **U.S. Cl.** **D14/258**

(58) **Field of Classification Search** D14/258,
D14/257, 224, 217, 198, 197, 193, 192, 188,
D14/168, 167, 165, 164, 163, 162, 161, 160,
D14/157, 156, 154, 136, 135; 720/691, 658,
720/270; 455/344, 575.1; 396/434, 93; 386/1;
369/93, 75.1; 360/47, 4; 359/550, 258;
349/460, 159, 10

DESCRIPTION

See application file for complete search history.

FIG. 1 is a perspective view of the radio control panel in a vehicle design;

(56) **References Cited**

U.S. PATENT DOCUMENTS

D44,146 S * 6/1913 Weiland et al. D5/66
D343,842 S * 2/1994 Fowler et al. D14/258
D427,591 S * 7/2000 Burghoff et al. D14/258
D440,927 S * 4/2001 Pfeiffer D12/192
D443,609 S * 6/2001 Buckingham et al. D14/258
D468,285 S 1/2003 Mizokawa
D517,033 S * 3/2006 Kurachi D14/136

FIG. 2 is a front view thereof;

FIG. 3 is a rear view thereof;

FIG. 4 is one narrow side view thereof;

FIG. 5 is an opposite narrow side view thereof;

FIG. 6 is one broad side view thereof;

FIG. 7 is an opposite broad side view thereof;

FIG. 8 is a view to indicate example locations of the claimed design in a vehicle; and,

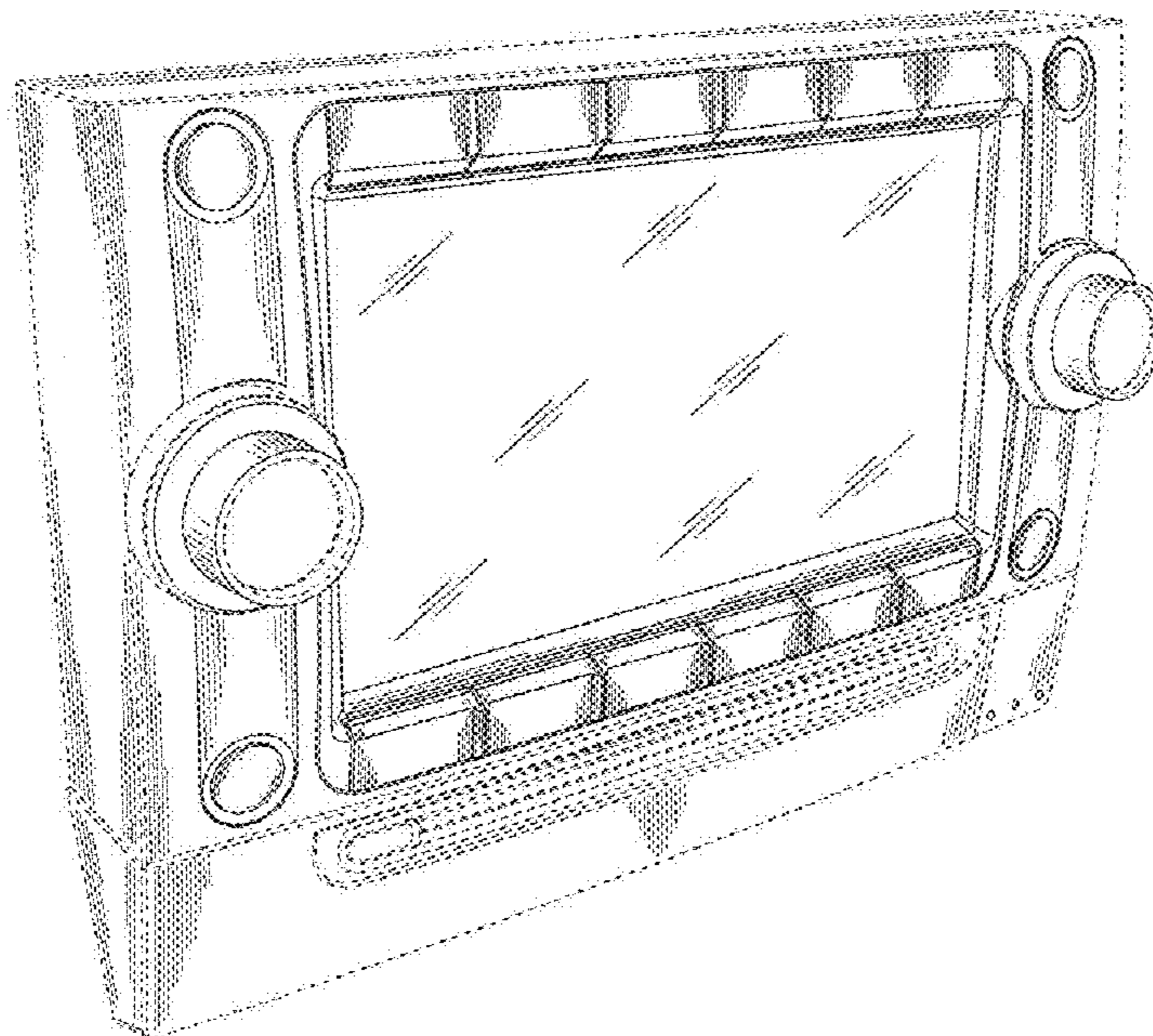
FIG. 9 is a view to indicate example locations of the claimed design in a vehicle.

In the drawings, the broken lines depict unclaimed environmental subject matter.

FOREIGN PATENT DOCUMENTS

JP D1232468 3/2005

1 Claim, 6 Drawing Sheets



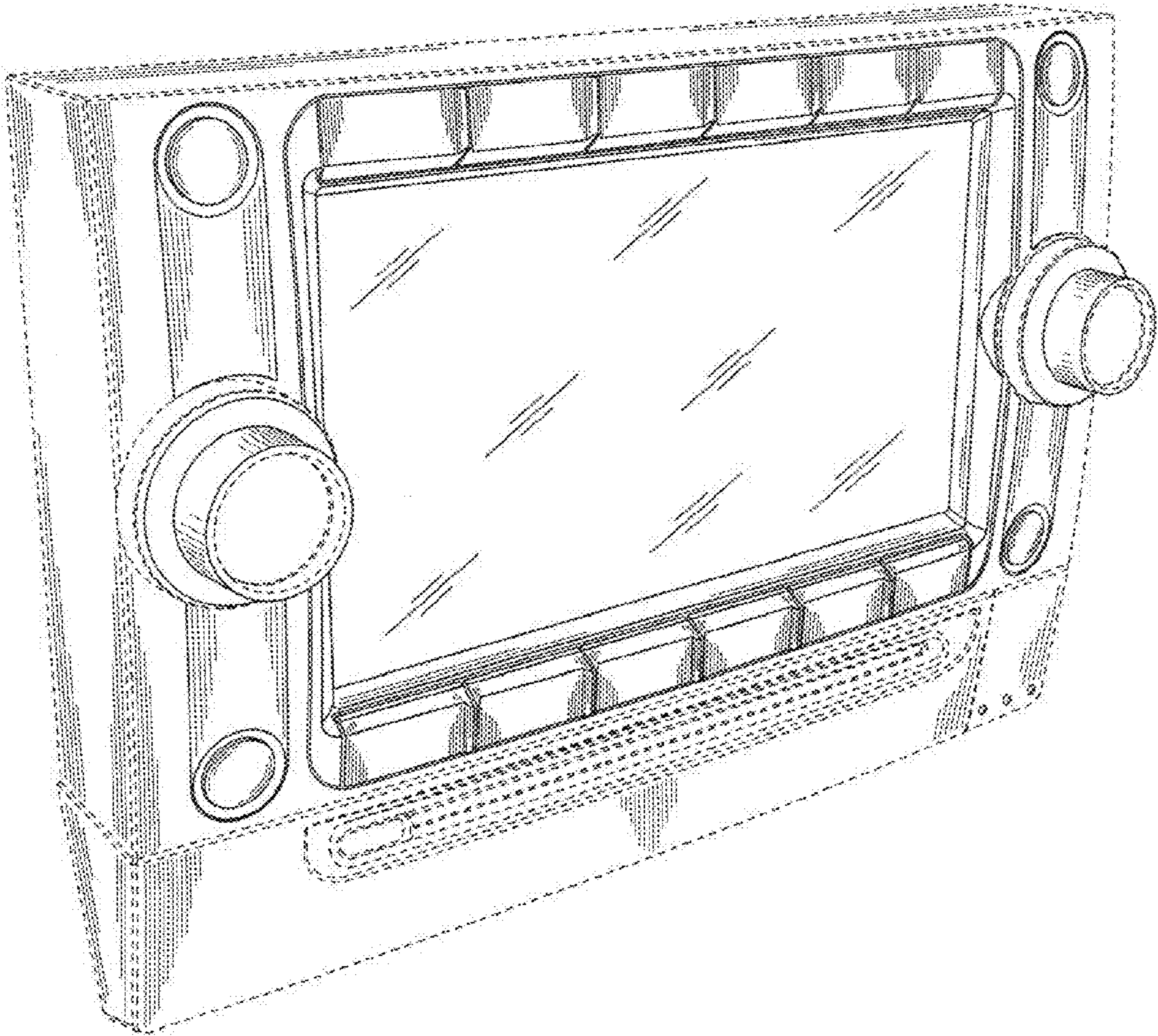


FIG. 1

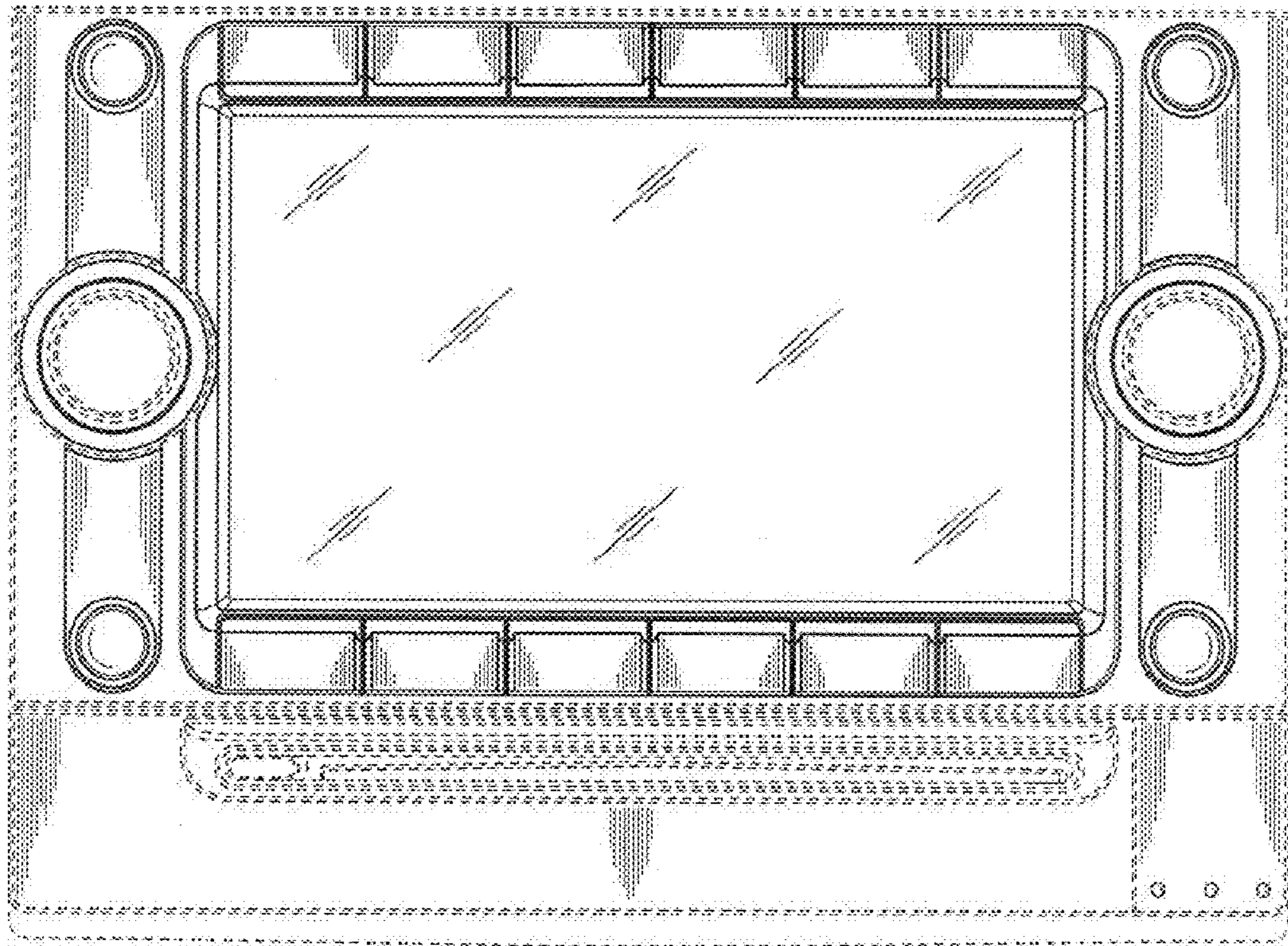


FIG. 2

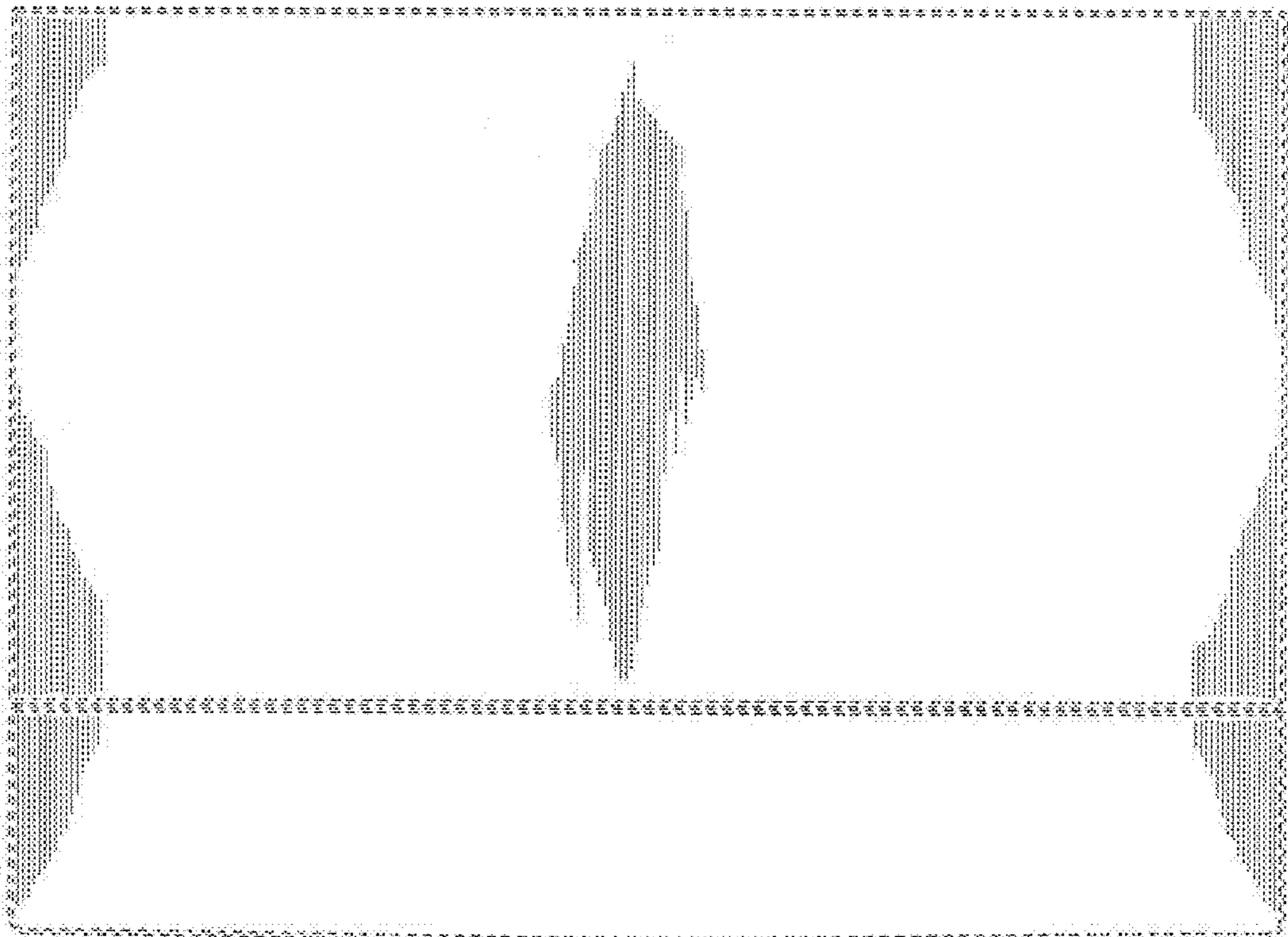


FIG. 3

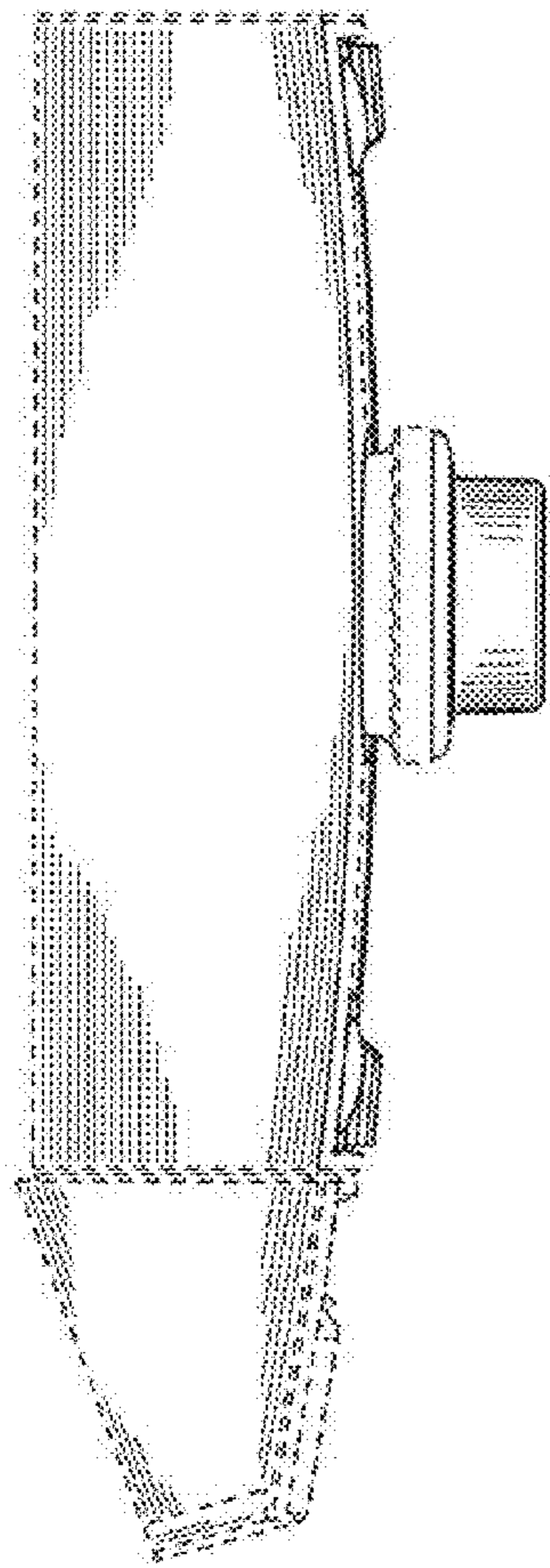


FIG. 4

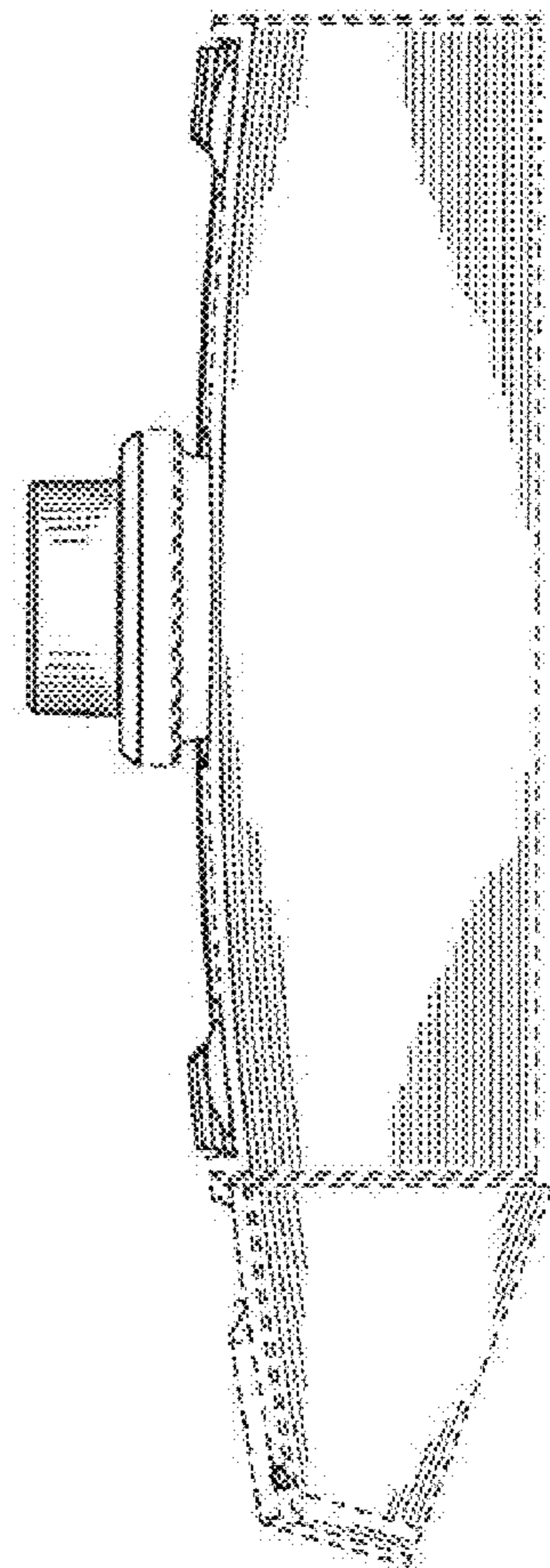


FIG. 5

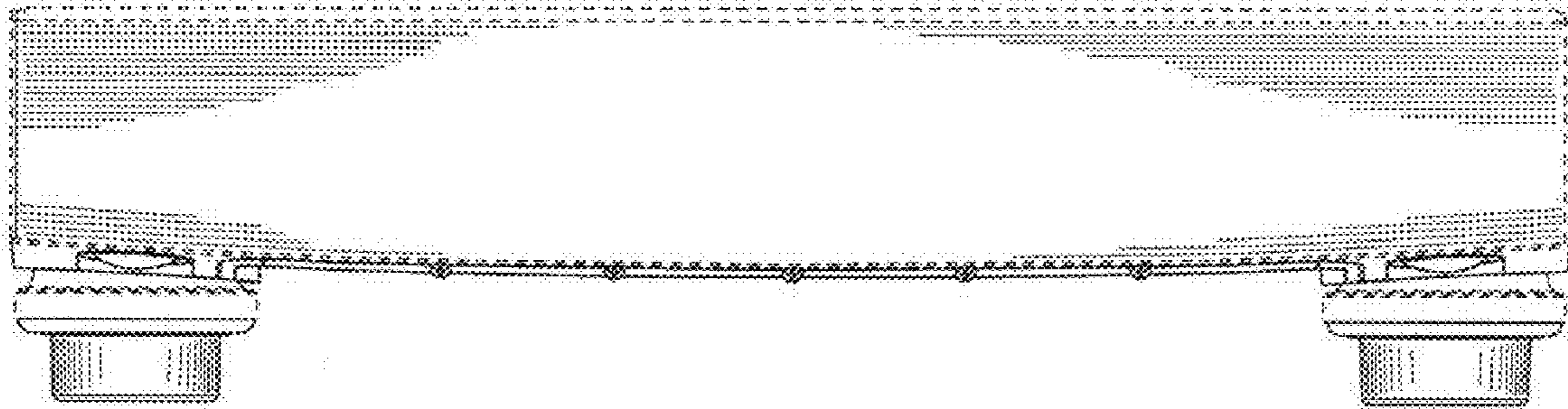


FIG. 6

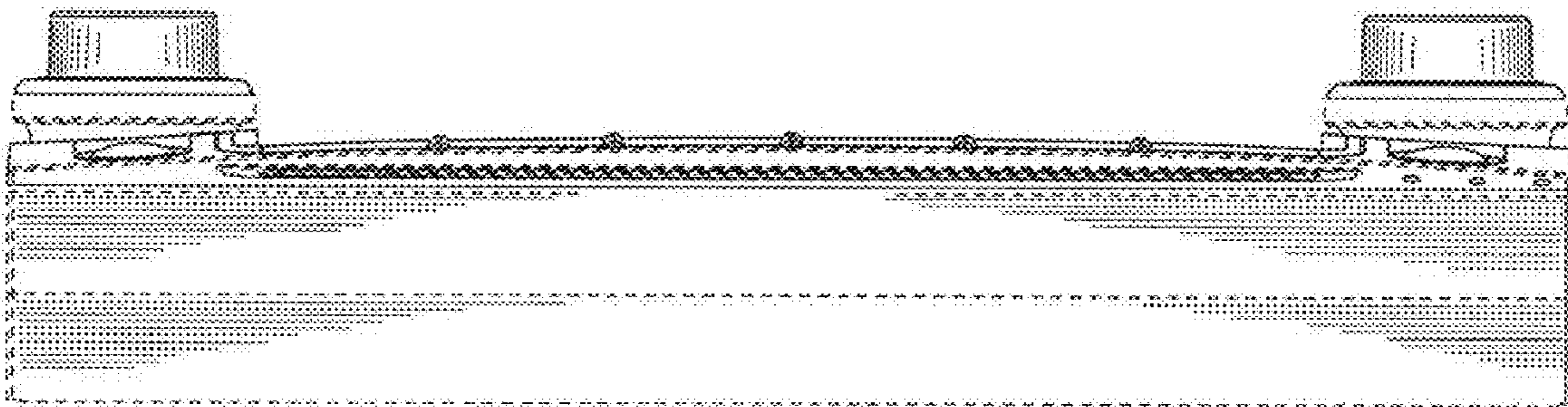


FIG. 7

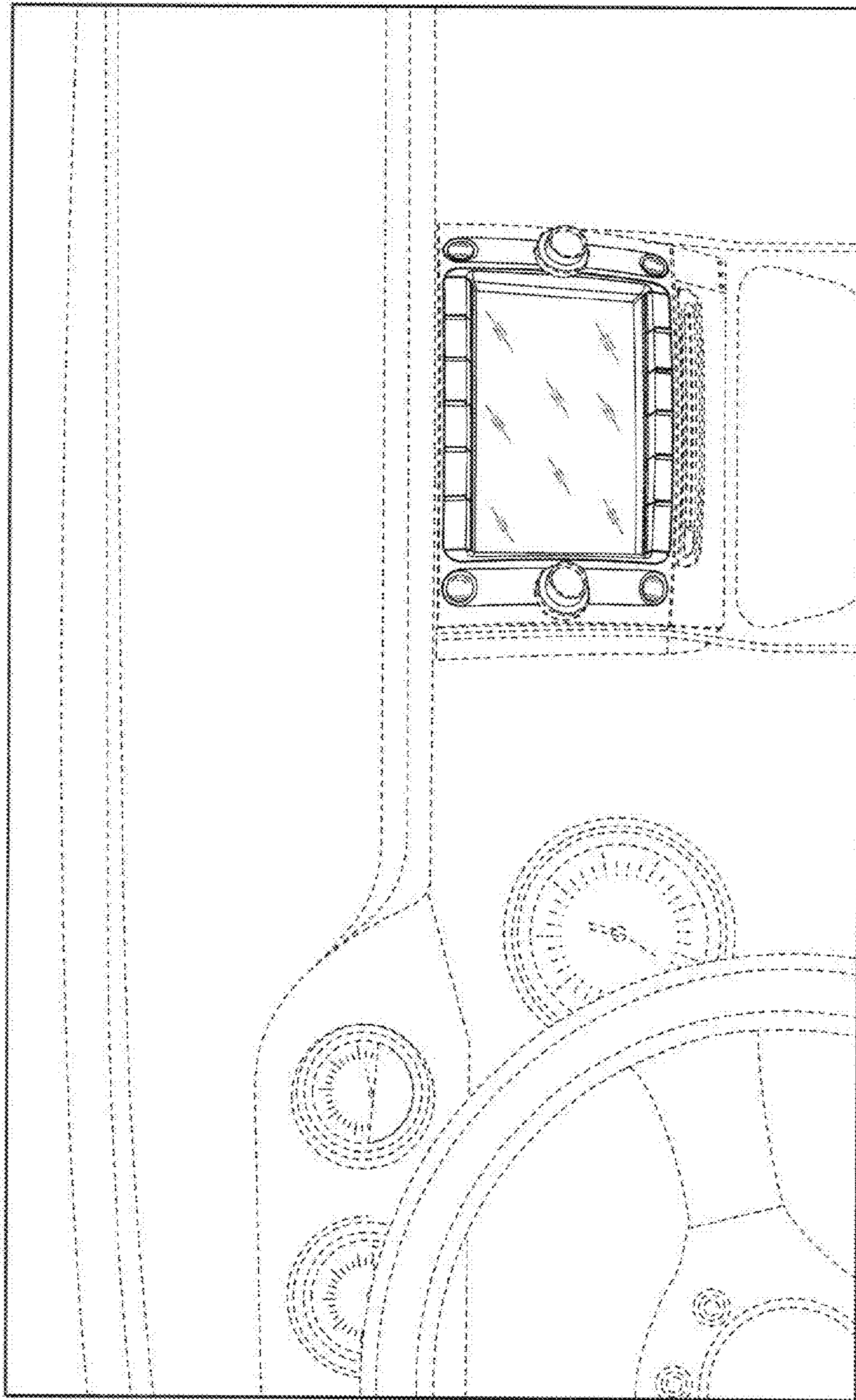


FIG. 8

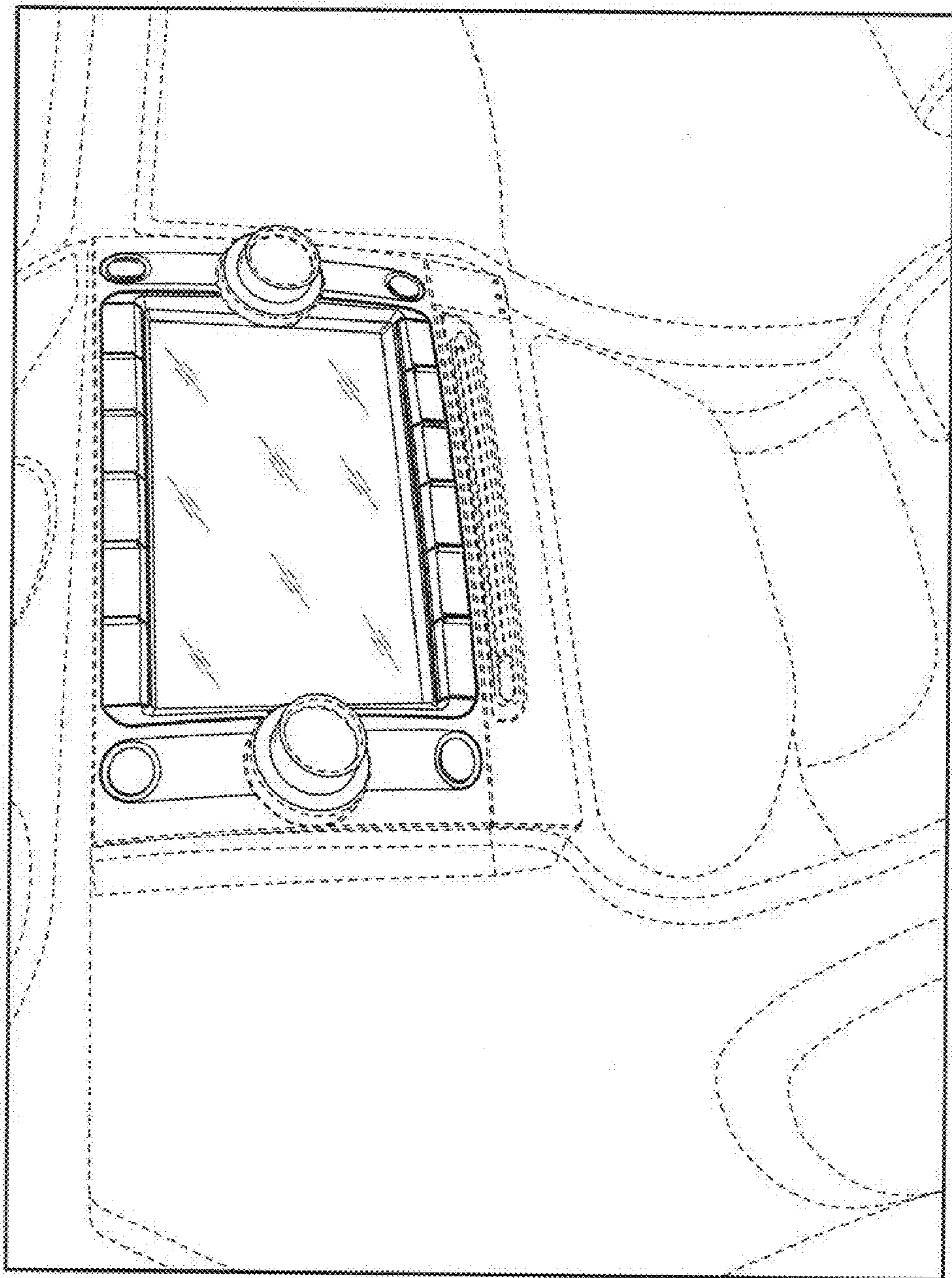


FIG. 9

UNITED STATES PATENT AND TRADEMARK OFFICE
CERTIFICATE OF CORRECTION

PATENT NO. : D576,159 S
APPLICATION NO. : 29/249775
DATED : September 2, 2008
INVENTOR(S) : Carl J. Price, Gustavo L. Fontana and Thomas Nilsen

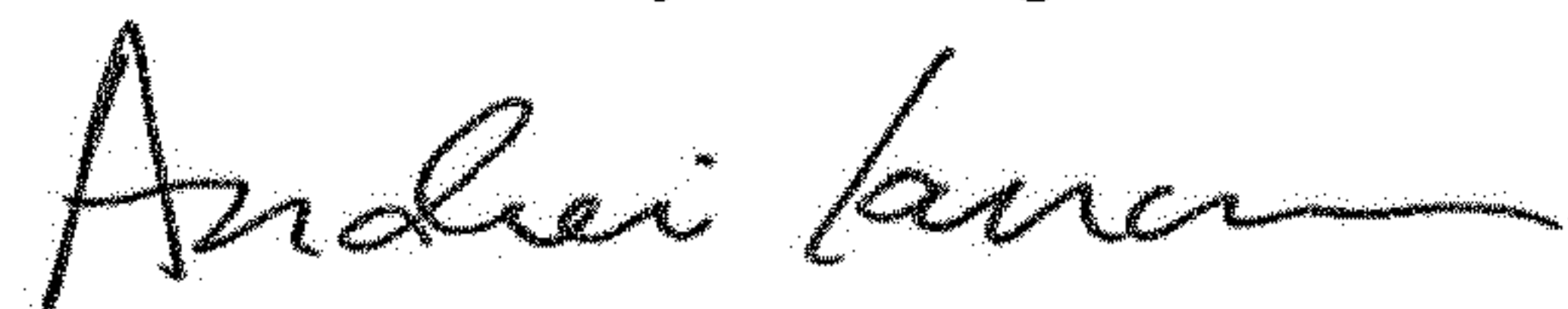
Page 1 of 1

It is certified that error appears in the above-identified patent and that said Letters Patent is hereby corrected as shown below:

On the Title Page

Item (75), Inventors, please add the following inventor:
--Thomas Nilsen, Northboro, MA (US)--.

Signed and Sealed this
Seventh Day of August, 2018



Andrei Iancu
Director of the United States Patent and Trademark Office