



US00D576158S

(12) **United States Design Patent**
Ng et al.

(10) **Patent No.:** **US D576,158 S**
(45) **Date of Patent:** **** Sep. 2, 2008**

(54) **BUTTON CONFIGURATION**

(75) Inventors: **Po Yi Ng**, Sunnyvale, CA (US); **Chris Heatherly**, Monrovia, CA (US)

(73) Assignee: **Disney Enterprises, Inc.**, Burbank, CA (US)

(**) Term: **14 Years**

(21) Appl. No.: **29/250,949**

(22) Filed: **Dec. 6, 2006**

Related U.S. Application Data

(62) Division of application No. 29/204,659, filed on Apr. 29, 2004.

(51) **LOC (8) Cl.** **14-03**

(52) **U.S. Cl.** **D14/257**

(58) **Field of Classification Search** D11/223;
D21/313

See application file for complete search history.

(56) **References Cited**

U.S. PATENT DOCUMENTS

D306,987 S * 4/1990 Dockery D11/221

D392,912 S * 3/1998 Roos et al. D11/81
D474,994 S * 5/2003 Comolli D11/81
D478,657 S * 8/2003 Fontana et al. D24/102
D490,211 S * 5/2004 McHan, Jr. D1/112
D496,345 S * 9/2004 Shively D14/188
D510,331 S * 10/2005 Ng et al. D14/136

* cited by examiner

Primary Examiner—Caron D. Veynar

Assistant Examiner—Kelley A. Donnelly

(74) *Attorney, Agent, or Firm*—Greenberg Traurig, LLP

(57) **CLAIM**

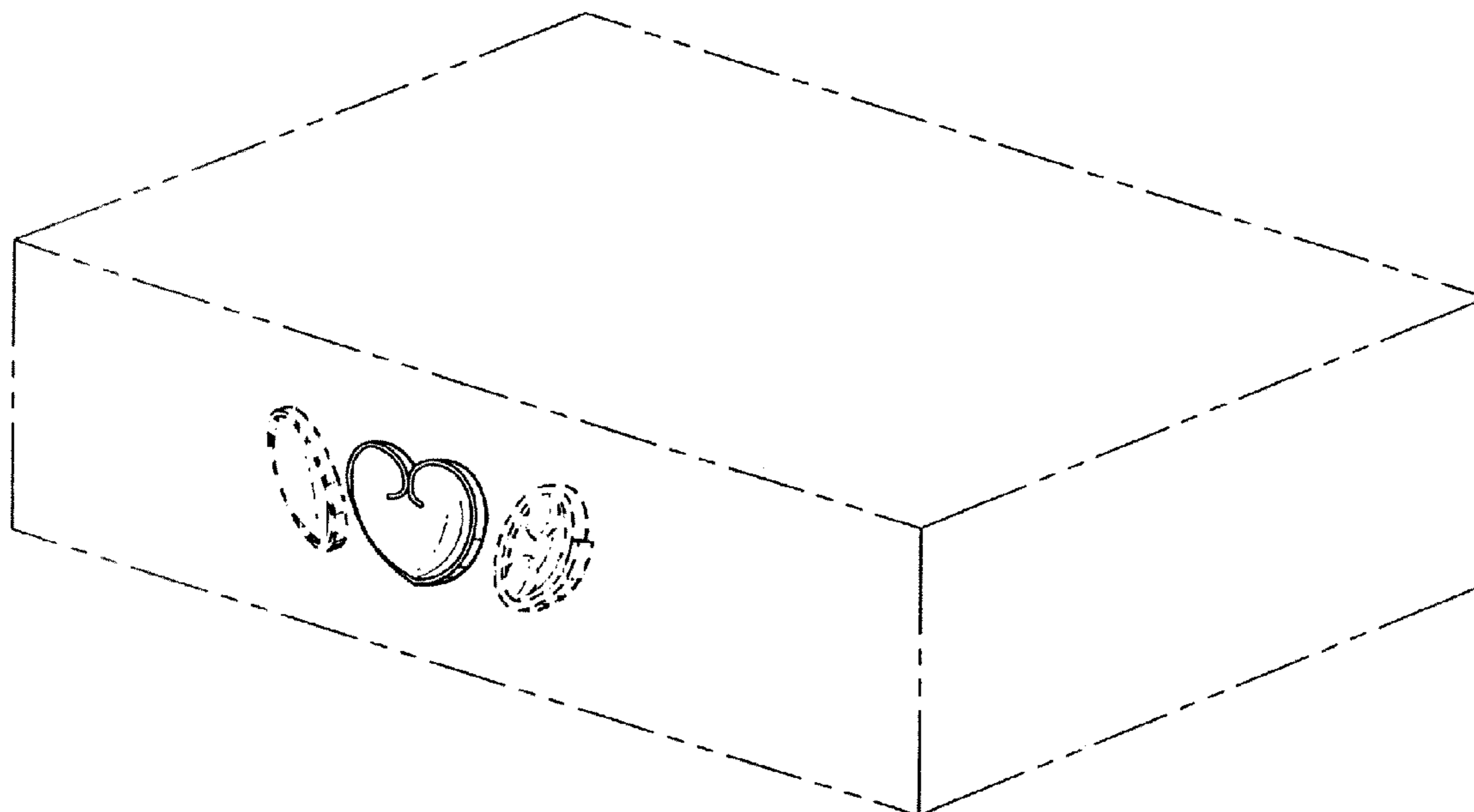
The ornamental design for a button configuration, as shown and described.

DESCRIPTION

FIG. 1 is a perspective view of a button configuration.

Broken lines are for illustrative purposes only and form no part of the claimed design.

1 Claim, 1 Drawing Sheet



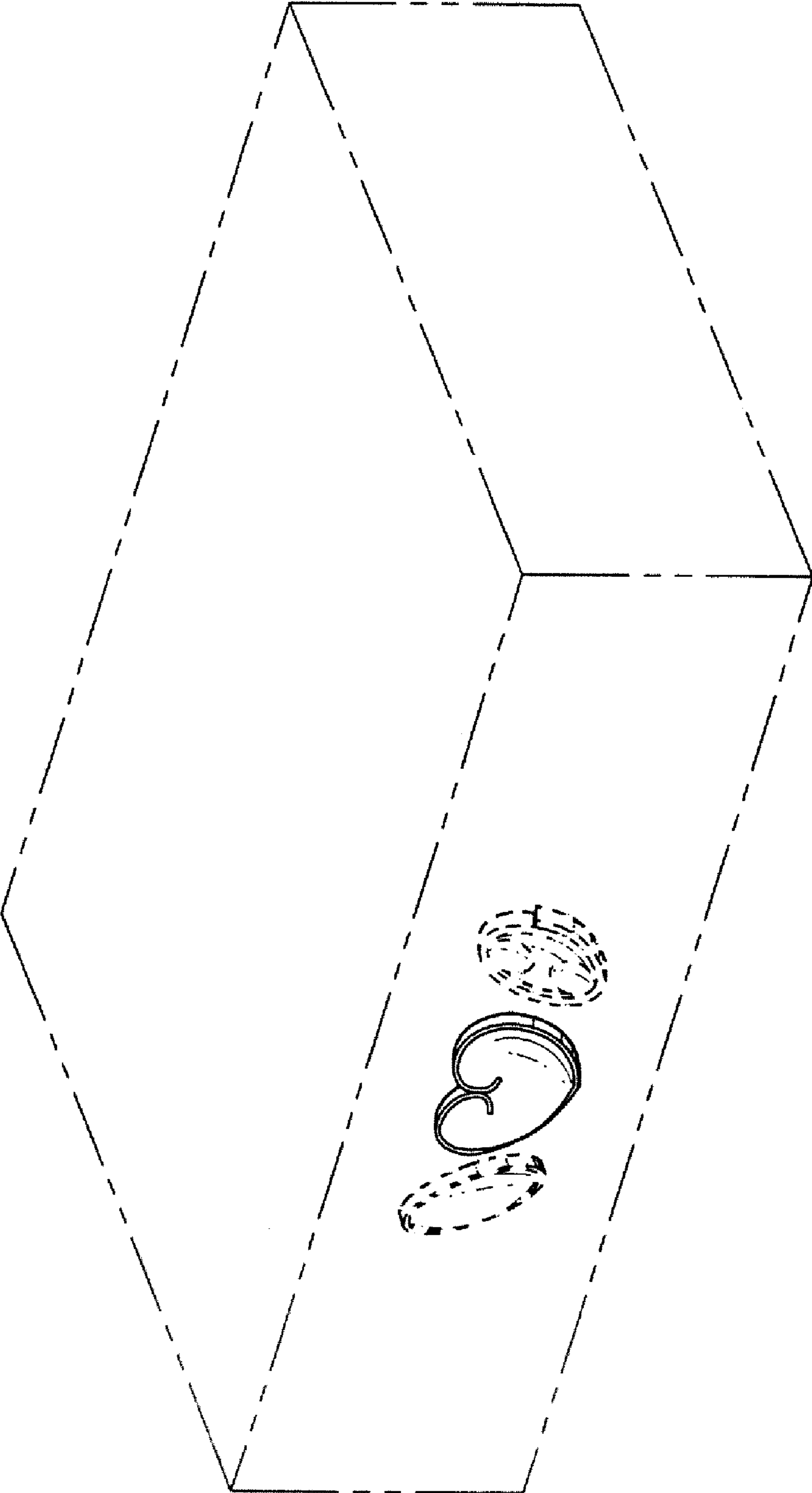


FIG. 1