



US00D576157S

(12) **United States Design Patent**
Nishizawa

(10) **Patent No.:** **US D576,157 S**
(45) **Date of Patent:** **** Sep. 2, 2008**

(54) **MICROPHONE**

(75) Inventor: **Haruki Nishizawa**, Osaka (JP)

(73) Assignee: **ICOM Incorporated**, Osaka (JP)

(**) Term: **14 Years**

(21) Appl. No.: **29/290,588**

(22) Filed: **Dec. 19, 2007**

(51) **LOC (8) Cl.** **14-01**

(52) **U.S. Cl.** **D14/225**

(58) **Field of Classification Search** D14/225,
D14/226, 227, 228, 229; 181/158, 242; 379/368,
379/430, 431, 433; 381/91, 122, 153, 157,
381/161, 361; D10/104; 455/77; D21/329;
D13/153

See application file for complete search history.

(56) **References Cited**

U.S. PATENT DOCUMENTS

5,249,235	A *	9/1993	Davis et al.	381/91
5,898,789	A *	4/1999	Nichols et al.	381/361
D448,019	S *	9/2001	Cebe et al.	D14/225
D459,718	S *	7/2002	Ma et al.	D14/225
D483,351	S *	12/2003	Jennings et al.	D14/225
D492,289	S *	6/2004	Latti et al.	D14/225
D503,398	S *	3/2005	Haase et al.	D14/225

D515,558	S *	2/2006	Case et al.	D14/225
D519,111	S *	4/2006	Miranda	D14/225
D530,313	S *	10/2006	Leng et al.	D14/225
D534,526	S *	1/2007	Aoki et al.	D14/225
D567,232	S *	4/2008	Darbut et al.	D14/225
D569,853	S *	5/2008	Nishida	D14/225

* cited by examiner

Primary Examiner—Paula A Greene

(74) *Attorney, Agent, or Firm*—Wenderoth, Lind & Ponack, L.L.P.

(57) **CLAIM**

The ornamental design for a microphone, as shown and described.

DESCRIPTION

FIG. 1 is a perspective view of a microphone;
FIG. 2 is a front view of the microphone shown in FIG. 1;
FIG. 3 is a back view of the microphone shown in FIG. 1;
FIG. 4 is a left side view of the microphone shown in FIG. 1;
FIG. 5 is a right side view of the microphone shown in FIG. 1;
FIG. 6 is a bottom view of the microphone shown in FIG. 1;
and,
FIG. 7 is a top view of the microphone shown in FIG. 1.

1 Claim, 7 Drawing Sheets

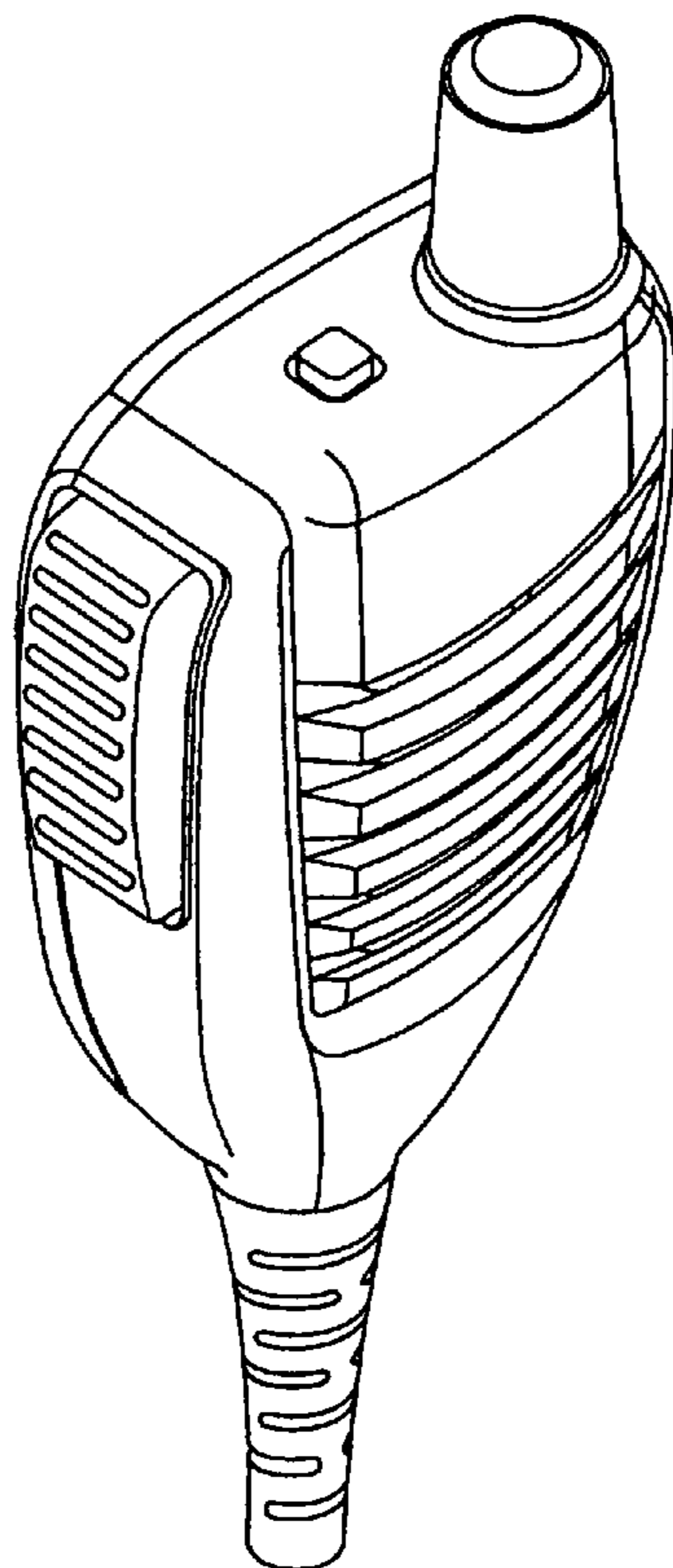


Fig. 1

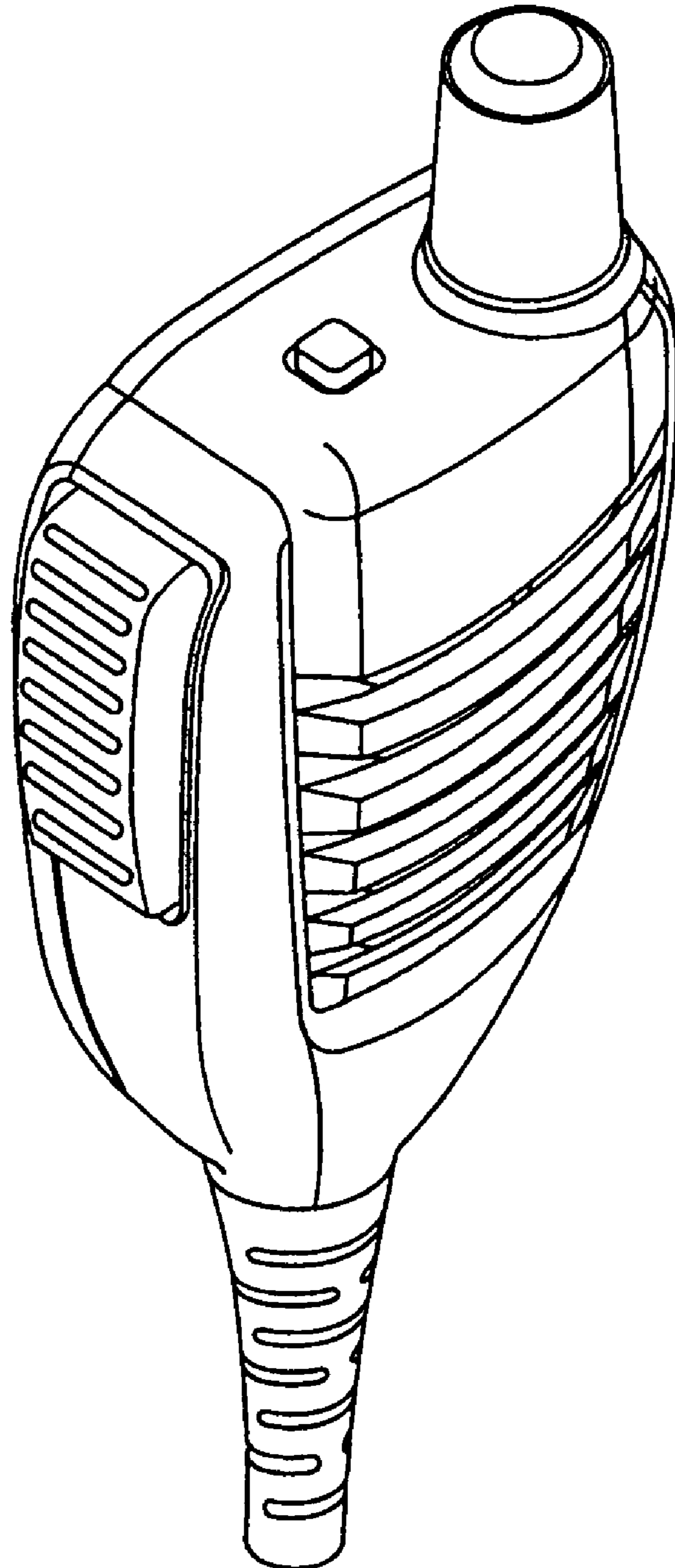


Fig. 2

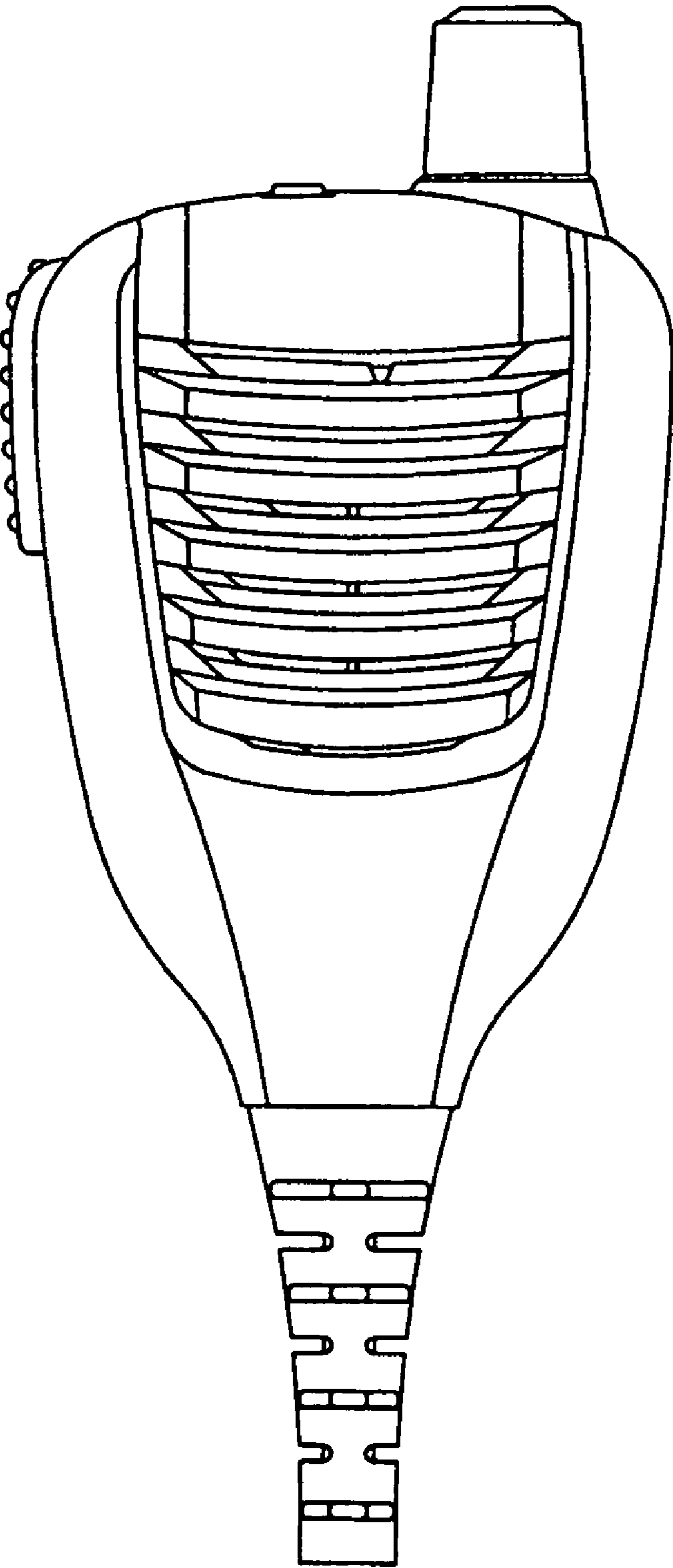


Fig. 3

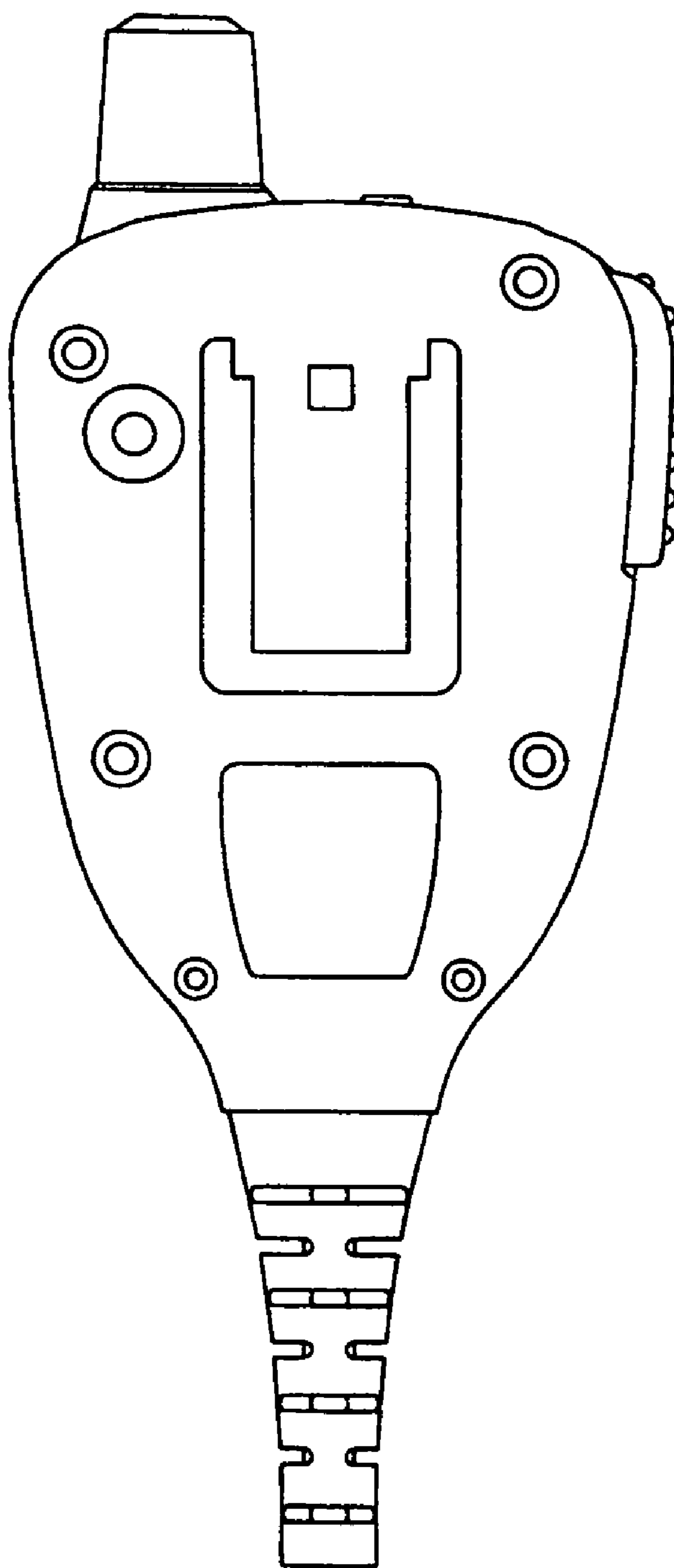


Fig. 4



Fig. 5

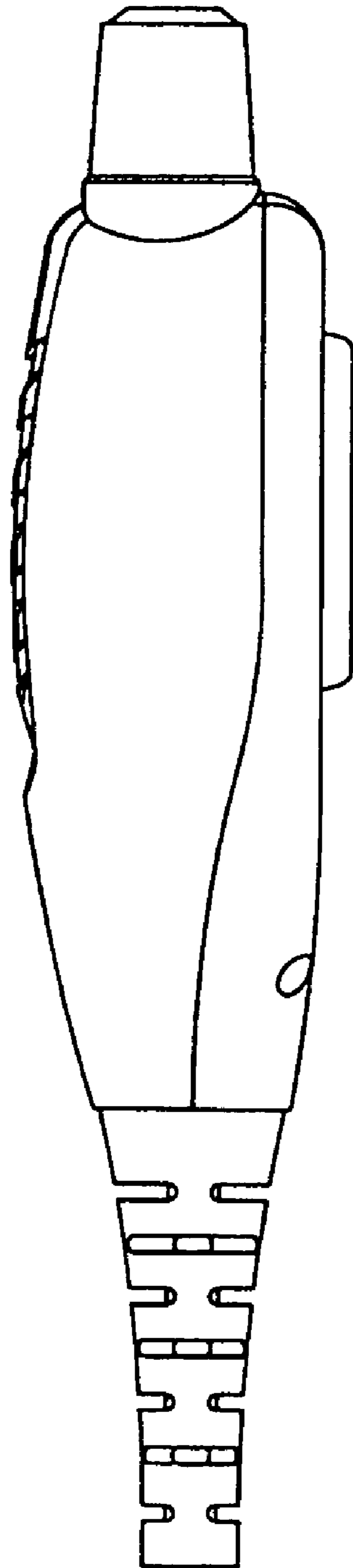


Fig. 6

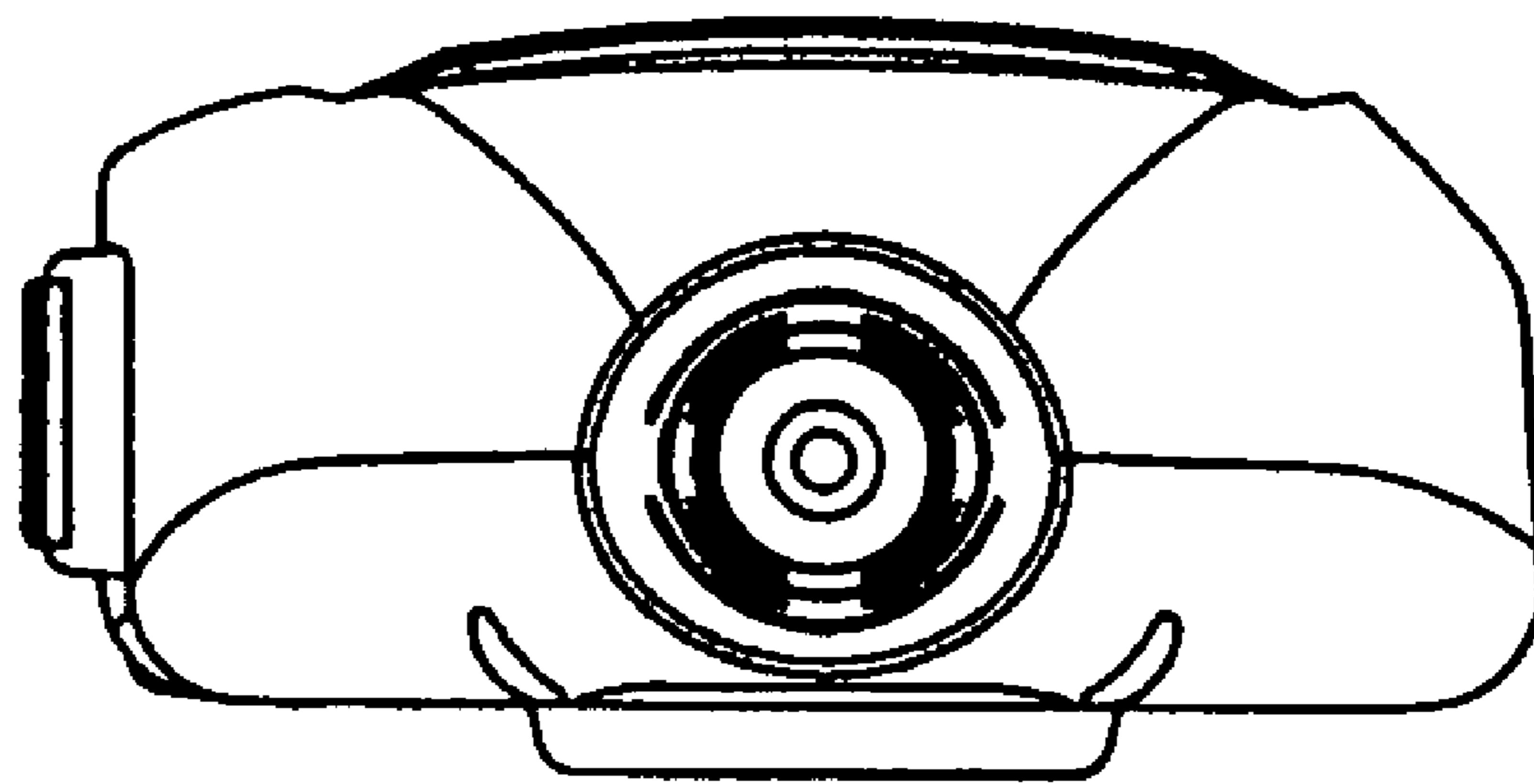


Fig. 7

